



US00D562738S

(12) **United States Design Patent**
Young

(10) **Patent No.:** **US D562,738 S**

(45) **Date of Patent:** **** Feb. 26, 2008**

(54) **GEARSHIFT KNOB COVER**

(76) Inventor: **Everett Young**, P.O. Box 164, Hartville,
MO (US) 65667

(**) Term: **14 Years**

(21) Appl. No.: **29/285,961**

(22) Filed: **Apr. 18, 2007**

Related U.S. Application Data

(63) Continuation of application No. 29/285,650, filed on
Apr. 4, 2007.

(51) **LOC (8) Cl.** **12-16**

(52) **U.S. Cl.** **D12/126; D12/179**

(58) **Field of Classification Search** D12/179;
150/155, 160; 74/475, 489, 473.14, 473.16,
74/551.9, 563, 558.1; 428/334, 35.7
See application file for complete search history.

(56) **References Cited**

U.S. PATENT DOCUMENTS

574,755 A	1/1897	Dehler	16/433
619,223 A	2/1899	Ramey et al.	16/421
D63,171 S	10/1923	Fudge	D8/310
2,449,575 A	9/1948	Wilhelm	74/557
D341,562 S	11/1993	Minniefield	D12/179
D366,439 S *	1/1996	Allen et al.	D12/179
5,501,120 A	3/1996	Kikuchi et al.	74/543
D408,339 S	4/1999	Hussaini	D12/179

D411,497 S *	6/1999	Lagaay	D12/179
D416,525 S	11/1999	Sacco et al.	D12/179
6,053,071 A	4/2000	Vazquez, Jr.	135/24
D435,811 S *	1/2001	Smith	D12/179
D463,765 S *	10/2002	Pfeiffer et al.	D12/179
D491,120 S *	6/2004	Watanabe	D12/179

* cited by examiner

Primary Examiner—Melody N. Brown

(74) *Attorney, Agent, or Firm*—Jonathan A. Bay

(57) **CLAIM**

The ornamental design for a gearshift knob cover, as shown
and described.

DESCRIPTION

FIG. 1 is a front-right perspective view of a gearshift knob
cover showing my new design;

FIG. 2 is a rear-left perspective view thereof;

FIG. 3 is a front elevational view thereof;

FIG. 4 is a rear elevational view thereof;

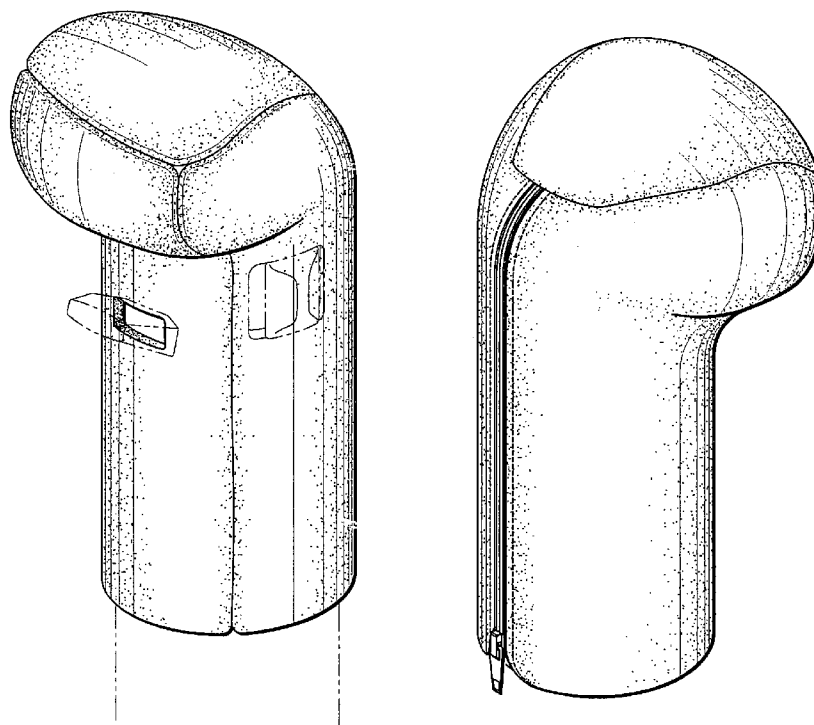
FIG. 5 is a right side elevational view thereof, the left side
being a mirror image;

FIG. 6 is a top plan view thereof; and,

FIG. 7 is a bottom plan view thereof.

The broken lines shown in FIG. 1 are for illustrative
purposes only and form no part of the claimed design.

1 Claim, 3 Drawing Sheets



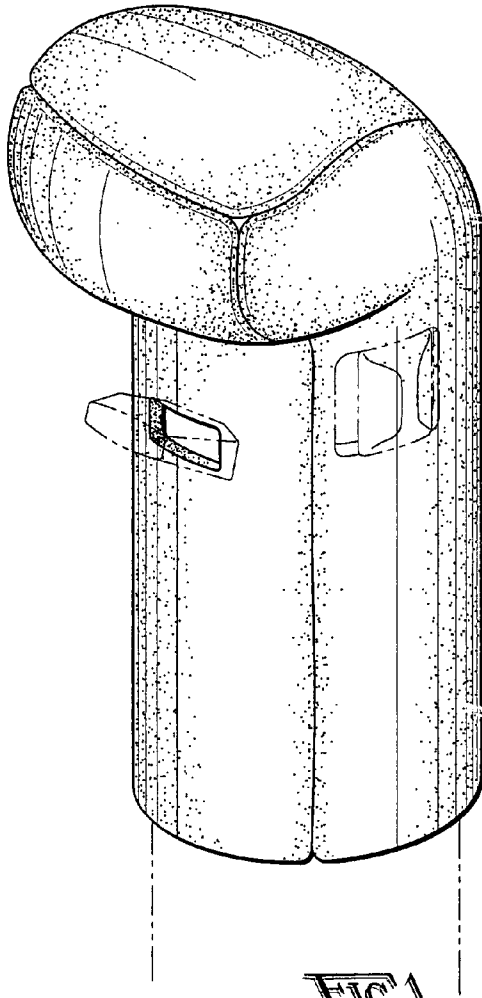


FIG. 1

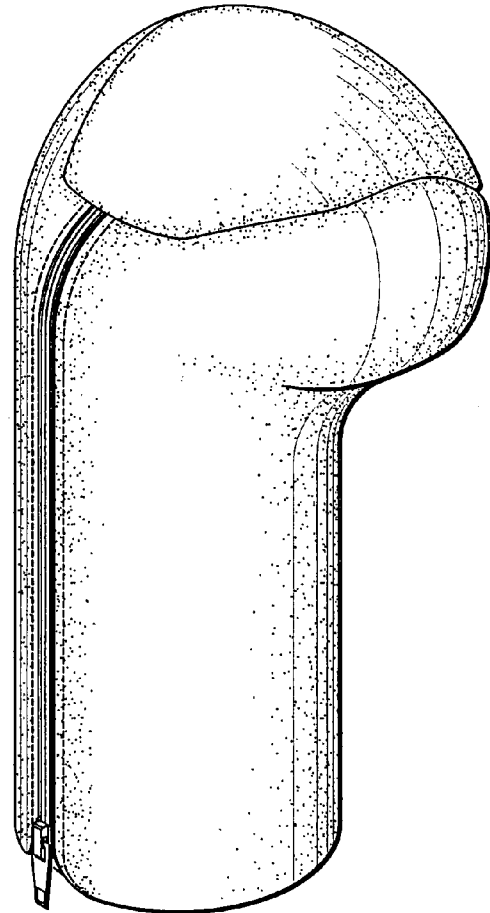


FIG. 2

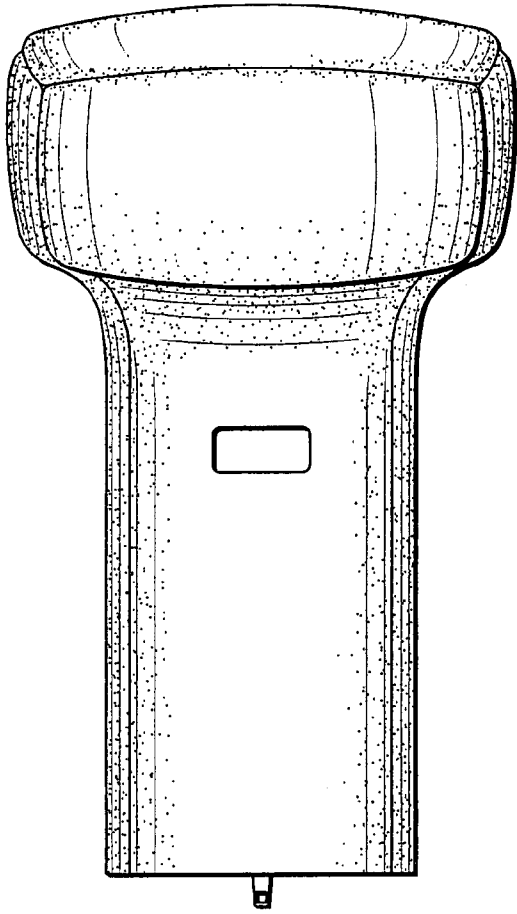


FIG. 3

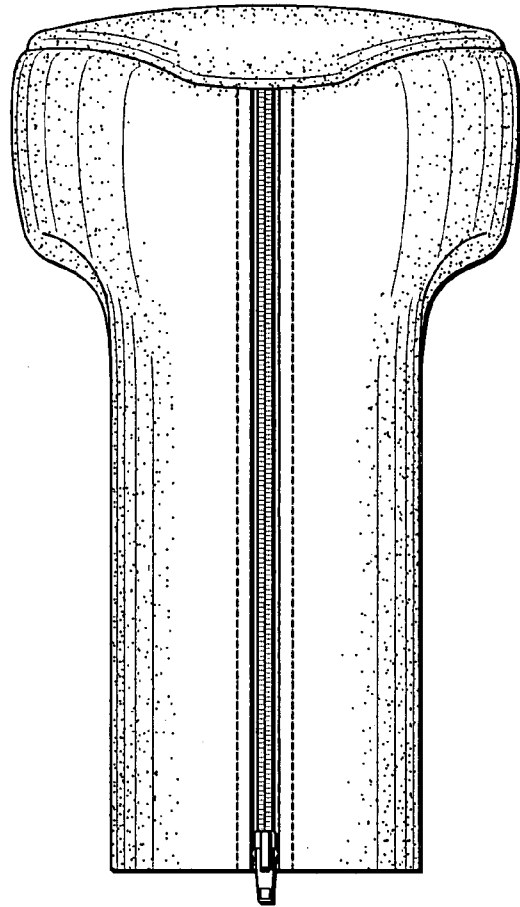


FIG. 4

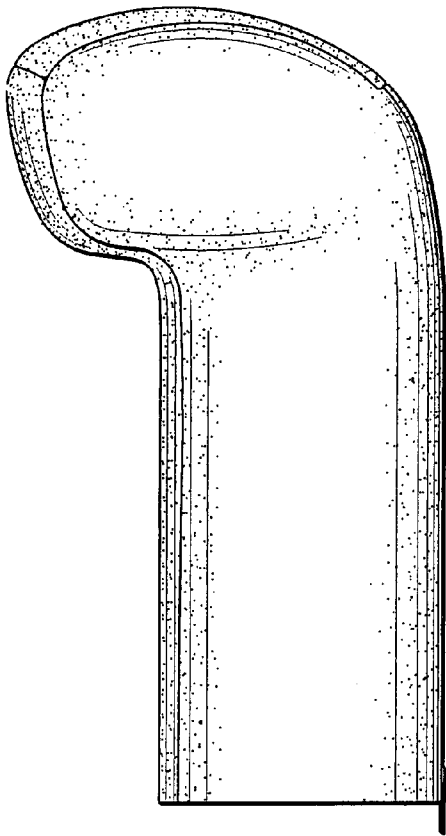


FIG. 5

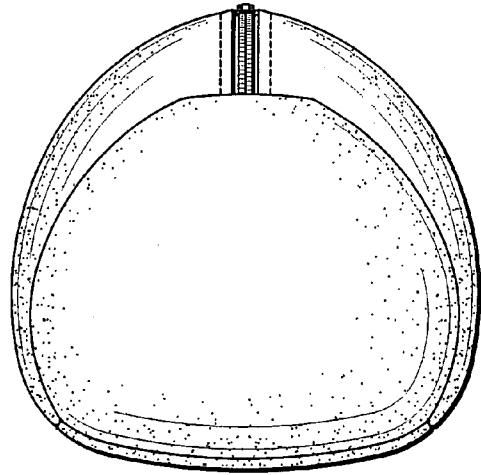


FIG. 6

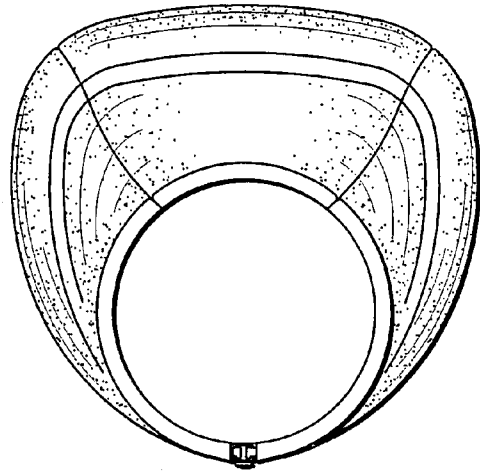


FIG. 7