



US00D533602S

(12) **United States Design Patent**  
**Chung**

(10) **Patent No.:** **US D533,602 S**

(45) **Date of Patent:** **\*\* Dec. 12, 2006**

(54) **MOTORCYCLE FOR KIDS**

(76) Inventor: **Li Ping Chung**, No. 33, Lane 458, She Chung St., Shih Li District, Taipei (TW)

(\*\*) Term: **14 Years**

(21) Appl. No.: **29/235,487**

(22) Filed: **Aug. 3, 2005**

(51) **LOC (8) Cl.** ..... **21-01**

(52) **U.S. Cl.** ..... **D21/432**

(58) **Field of Classification Search** ..... D21/419-435,  
D21/415, 620; D6/345; 446/456, 465, 470,  
446/427-428, 451, 454, 471, 468, 450; 280/1.13,  
280/828, 87.01, 282, 87.021, 1.203, 47.11;  
D12/110-113

See application file for complete search history.

(56) **References Cited**

**U.S. PATENT DOCUMENTS**

- D284,018 S \* 5/1986 Lin ..... D21/538
- D297,721 S \* 9/1988 Kaneko et al. .... D12/110
- 4,871,041 A \* 10/1989 Saito et al. .... 180/219

- 5,109,942 A \* 5/1992 Akimori et al. .... 180/219
- 5,109,943 A \* 5/1992 Crenshaw et al. .... 180/228
- D389,536 S \* 1/1998 Mira Verdu ..... D21/538
- D390,889 S \* 2/1998 Rodriguez Ferre ..... D21/538
- D400,605 S \* 11/1998 Rodriguez Ferre ..... D21/538
- D443,658 S \* 6/2001 Lerch ..... D21/432

\* cited by examiner

*Primary Examiner*—Raphael Barkai

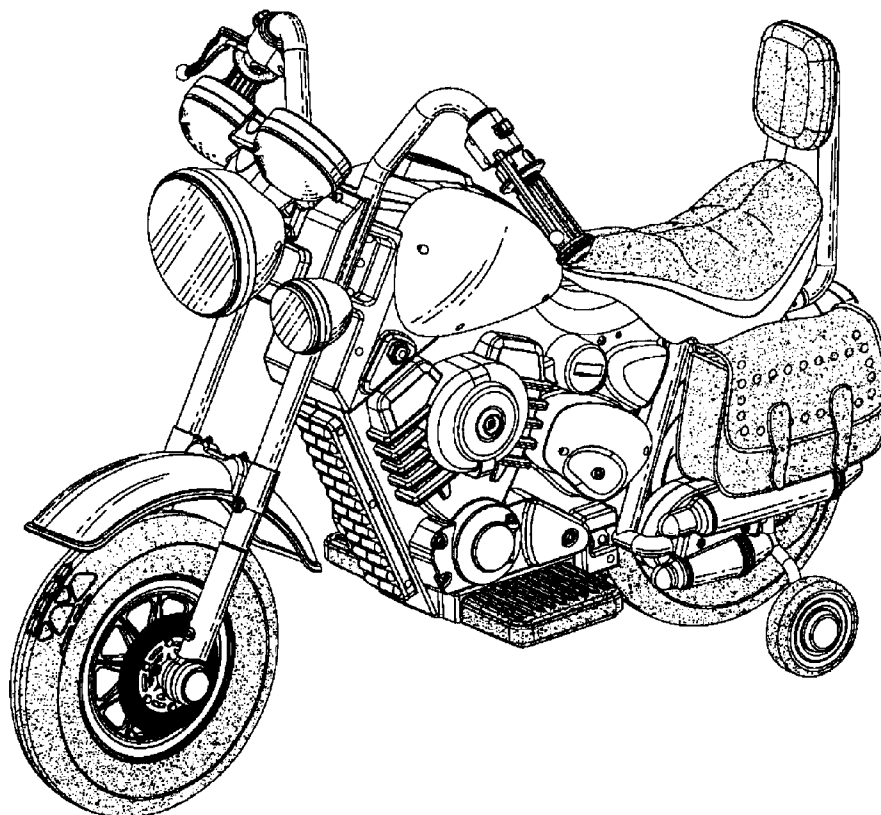
(57) **CLAIM**

The ornamental design for a motorcycle for kids, as shown and described.

**DESCRIPTION**

FIG. 1 is a perspective view of a motorcycle for kids showing the new design;  
 FIG. 2 is a front view thereof;  
 FIG. 3 is a rear view thereof;  
 FIG. 4 is a left side view thereof;  
 FIG. 5 is a right side view thereof;  
 FIG. 6 is a top view thereof; and,  
 FIG. 7 is a bottom view thereof.

**1 Claim, 5 Drawing Sheets**



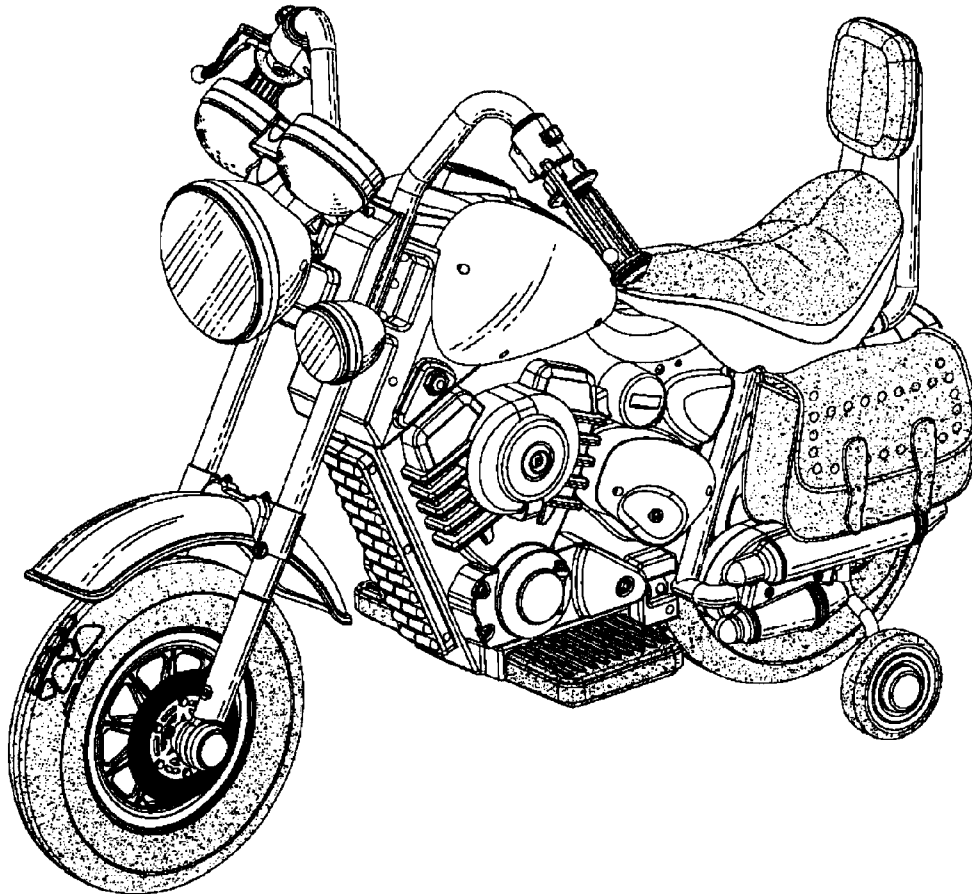


FIG. 1

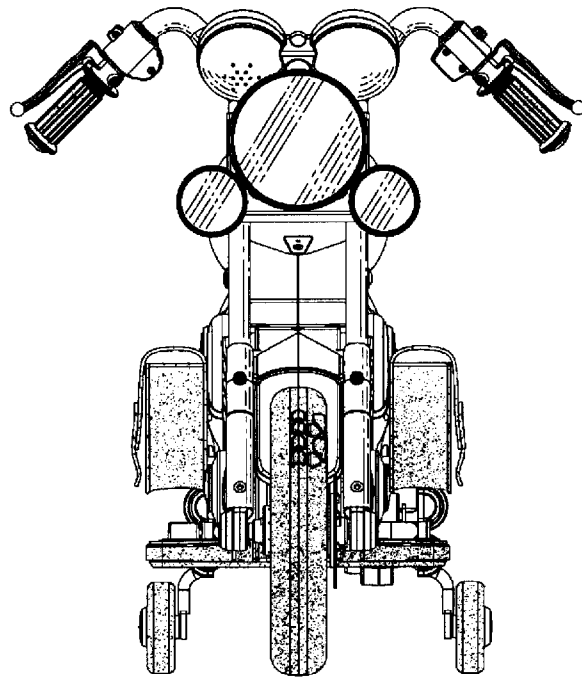


FIG. 2

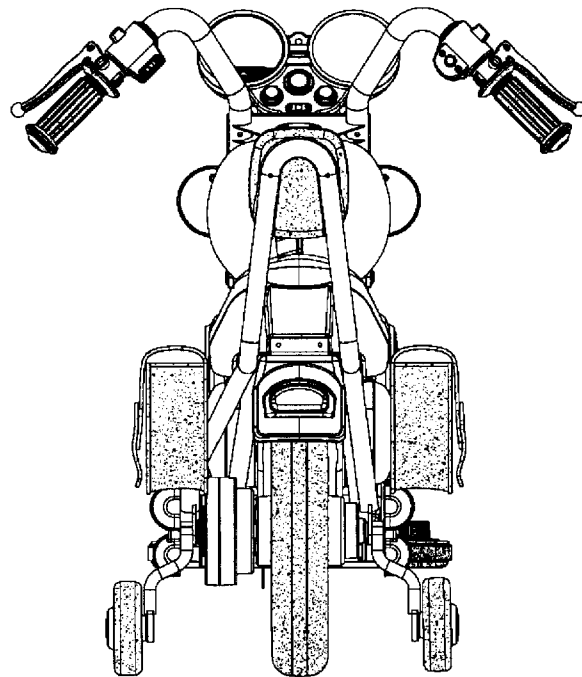


FIG. 3

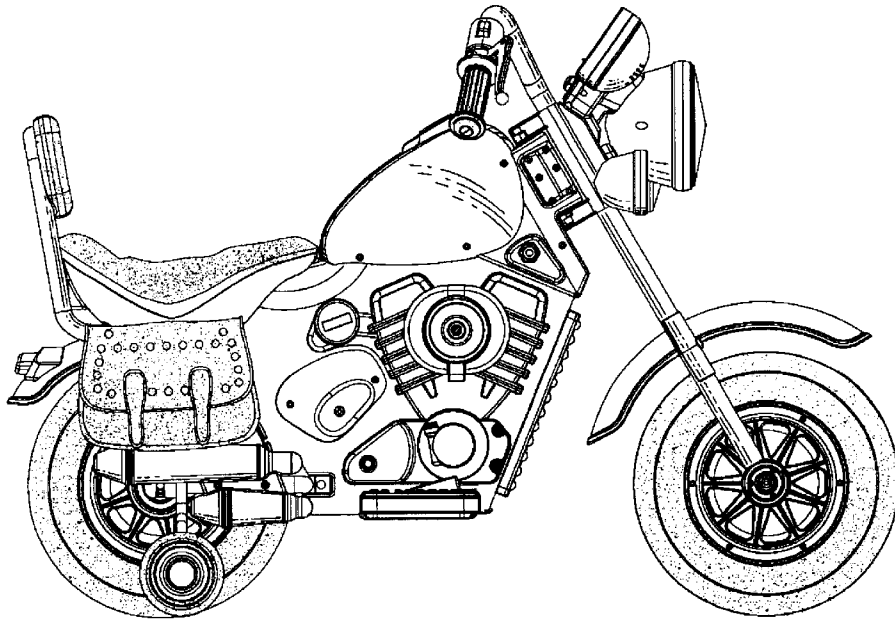


FIG. 4

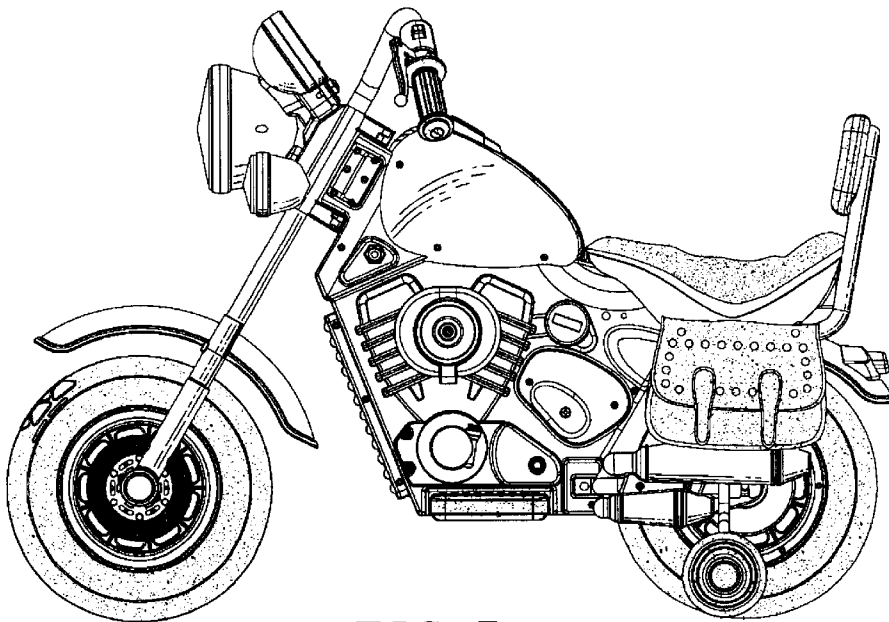


FIG. 5

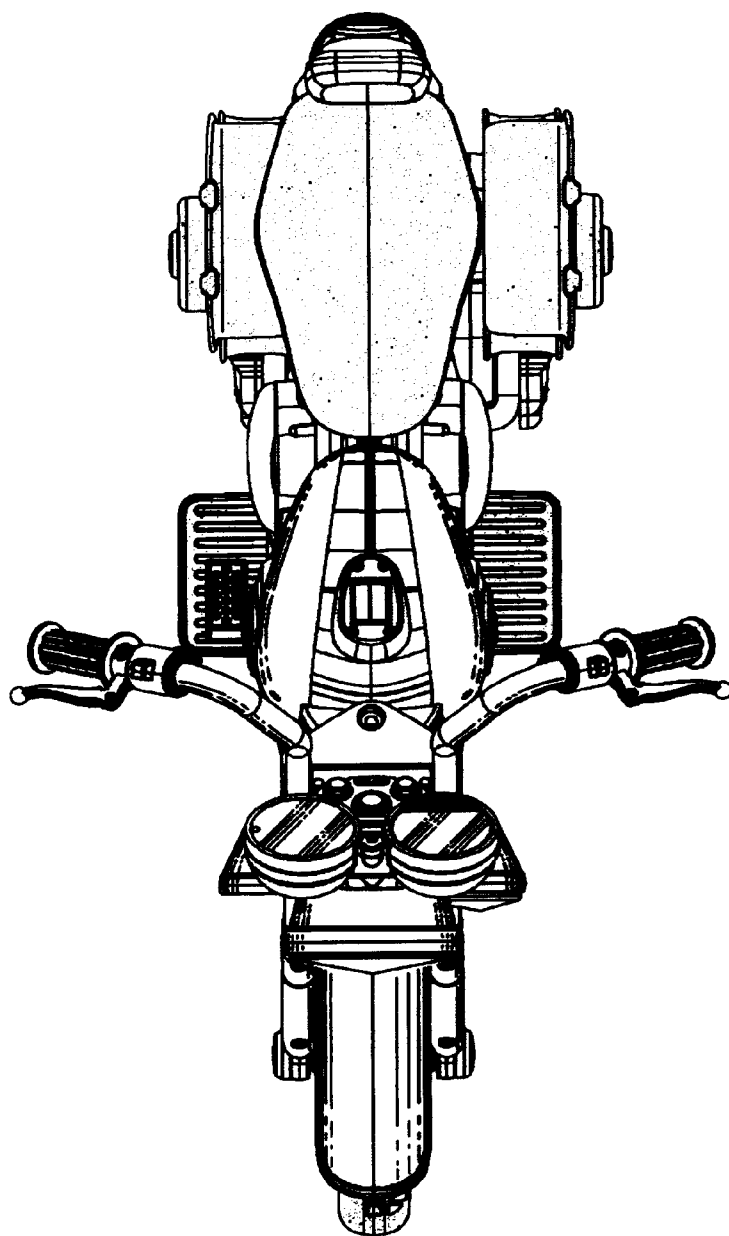


FIG. 6

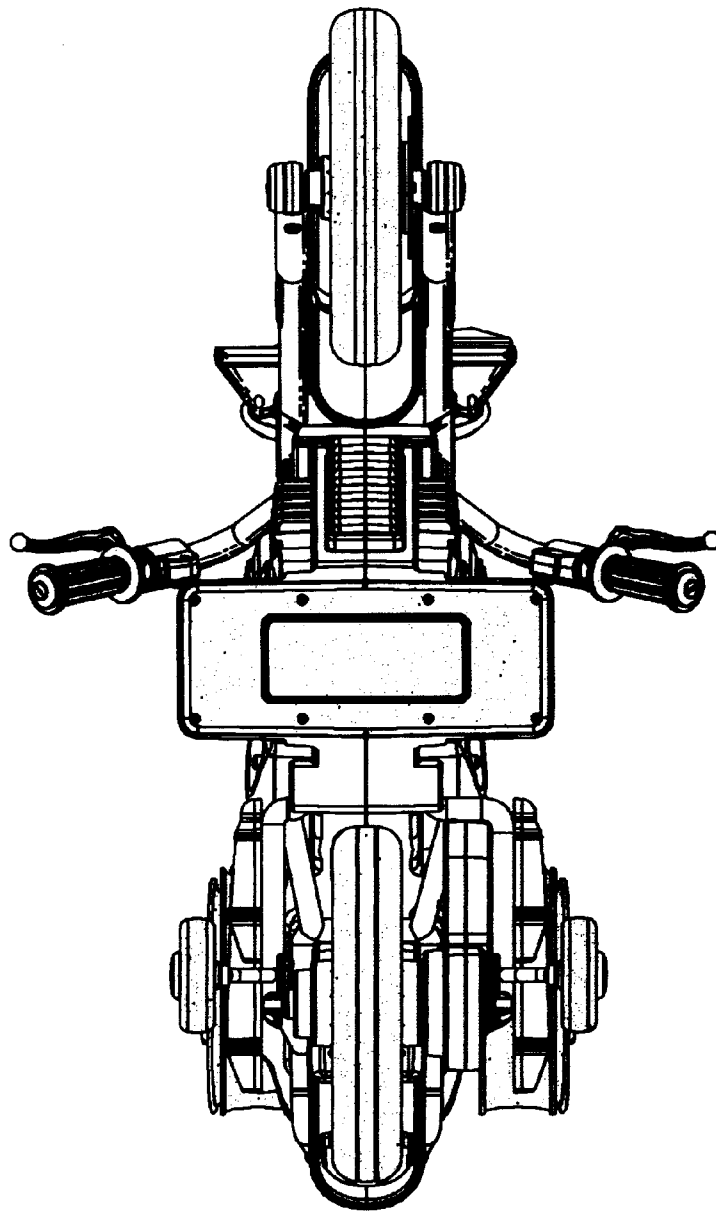


FIG. 7