



US00D550652S

(12) **United States Design Patent**  
**Mizokawa**

(10) **Patent No.:** **US D550,652 S**

(45) **Date of Patent:** **\*\* Sep. 11, 2007**

(54) **SPEAKER FOR AN AUTOMOBILE**

D451,908 S 12/2001 Mackie et al.  
D465,780 S 11/2002 Shindo  
D472,545 S 4/2003 Iijima et al.

(75) Inventor: **Hiroyuki Mizokawa**, Osaka (JP)

(73) Assignee: **Matsushita Electric Industrial Co., Ltd.**, Osaka (JP)

(Continued)

(\*\*) Term: **14 Years**

JP D1157504 11/2002  
JP D1157505 11/2002

(21) Appl. No.: **29/260,704**

(Continued)

(22) Filed: **May 31, 2006**

*Primary Examiner*—Nanda Bondade

(30) **Foreign Application Priority Data**

(74) *Attorney, Agent, or Firm*—Brinks Hofer Gilson & Lione

Dec. 2, 2005 (JP) ..... 2005-035667

(51) **LOC (8) Cl.** ..... **14-01**

(52) **U.S. Cl.** ..... **D14/216; D14/221**

(58) **Field of Classification Search** ..... D14/204,  
D14/209–216, 221–222; 181/143–144, 147–148,  
181/150, 157, 198–199, 151–153; 381/300–302,  
381/306, 333, 345, 361–364, 386–388, 332,  
381/336

See application file for complete search history.

(56) **References Cited**

**U.S. PATENT DOCUMENTS**

D87,689 S 8/1932 Sinel  
D186,670 S 11/1959 Durbin  
D188,542 S 8/1960 Levy et al.  
D197,716 S 3/1964 Boldt et al.  
D253,108 S 10/1979 Schroeder  
D254,252 S \* 2/1980 Matsubara ..... D14/216  
D265,086 S 6/1982 Kawachi  
D270,909 S 10/1983 Iijima  
D273,008 S 3/1984 Ishizaki  
D281,065 S \* 10/1985 Katsuno ..... D14/215  
D302,695 S \* 8/1989 Weissberg et al. .... D14/222  
4,965,837 A 10/1990 Murayama et al.  
D317,160 S 5/1991 Kurata et al.  
D320,020 S 9/1991 Iwano  
D336,475 S \* 6/1993 Christie ..... D14/215  
6,095,278 A \* 8/2000 Lin ..... 181/148

**FOREIGN PATENT DOCUMENTS**

(57) **CLAIM**

I claim the ornamental design for a speaker for an automobile, as shown and described.

**DESCRIPTION**

FIG. 1 is a top perspective view of a speaker for an automobile of the present invention;

FIG. 2 is a front view thereof;

FIG. 3 is a top view thereof;

FIG. 4 is a first side view thereof;

FIG. 5 is a second side view thereof;

FIG. 6 is a bottom view thereof;

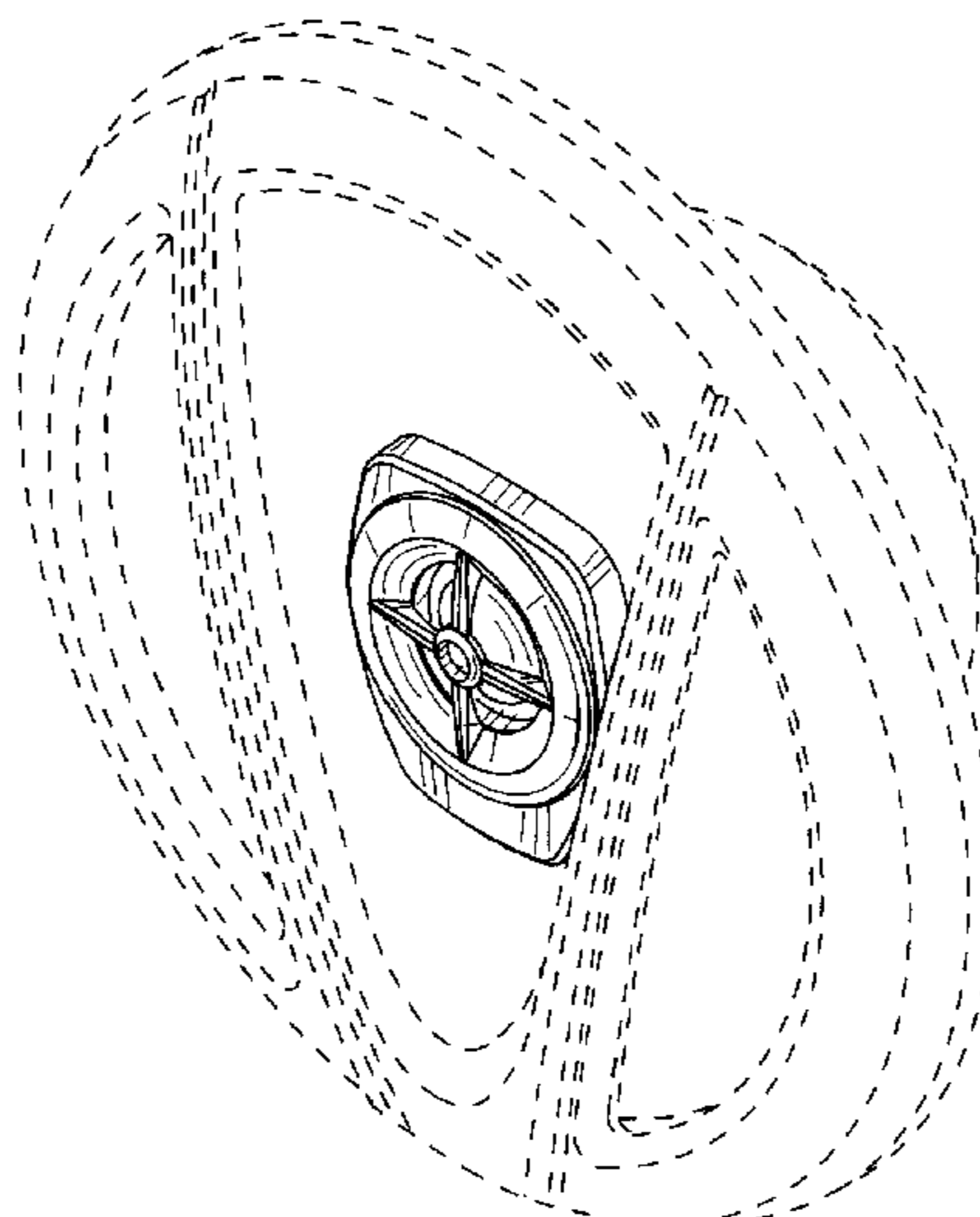
FIG. 7 is a rear view thereof;

FIG. 8 is a cross-section view taken along the line 8—8' of FIG. 2; and,

FIG. 9 is a cross-section view taken along the line of 9—9' of FIG. 2.

The ornamental design which is claimed is shown in solid lines in the drawings. Any broken lines in the drawings are for illustrative purposes only and form no part of the claimed design.

**1 Claim, 4 Drawing Sheets**



# US D550,652 S

Page 2

---

## U.S. PATENT DOCUMENTS

D480,070 S	9/2003	Hakoda
D480,710 S	10/2003	Rivera
D488,802 S	4/2004	Uehara et al.
D493,445 S	7/2004	Iijima et al.
D497,902 S	11/2004	Farinelli et al.
D506,748 S	6/2005	Garretson et al.
D506,992 S	7/2005	Suzuki
D506,993 S	7/2005	Suzuki
D507,560 S	7/2005	Sugiyama
D509,213 S	9/2005	Hasbrook
D510,084 S	9/2005	Hasbrook
D523,422 S	6/2006	Ishikawa et al.

## FOREIGN PATENT DOCUMENTS

JP	D1159674	12/2002
JP	D1191947	12/2003
JP	D1191948	12/2003
JP	D1192160	12/2003

JP	D1192162	12/2003
JP	D1193799	1/2004
JP	D1201052	4/2004
JP	D1201607	4/2004
JP	D1223330	11/2004
JP	D1223331	11/2004
JP	D1241403	6/2005
JP	D1241405	6/2005
JP	D1244078	6/2005
JP	D1244110	6/2005
JP	D1245202	7/2005
JP	D1247477	8/2005
JP	D1247478	8/2005
JP	D1247584	8/2005
JP	D1247585	8/2005
JP	D1256577	11/2005
JP	D1256578	11/2005

\* cited by examiner

FIG.1

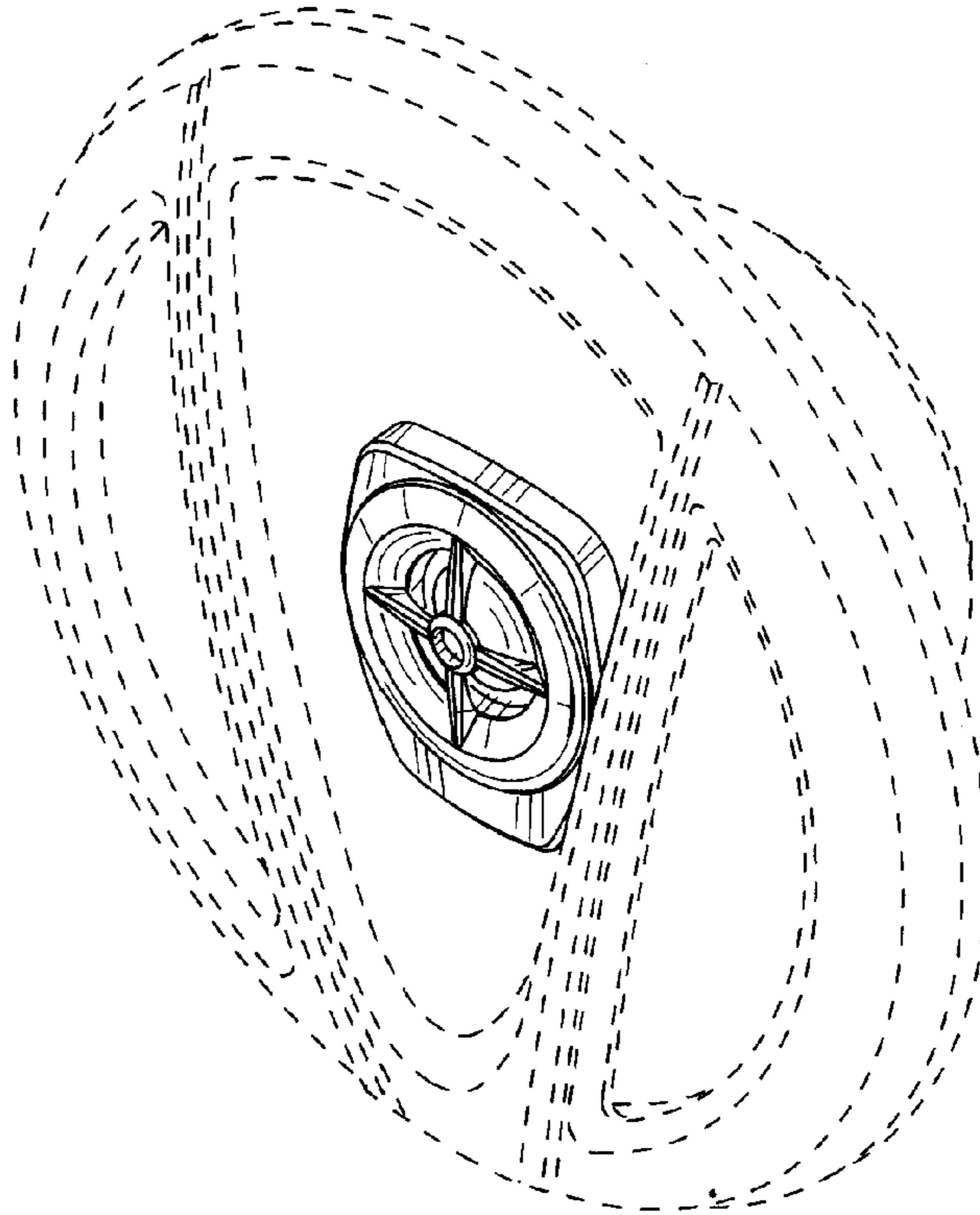


FIG.2

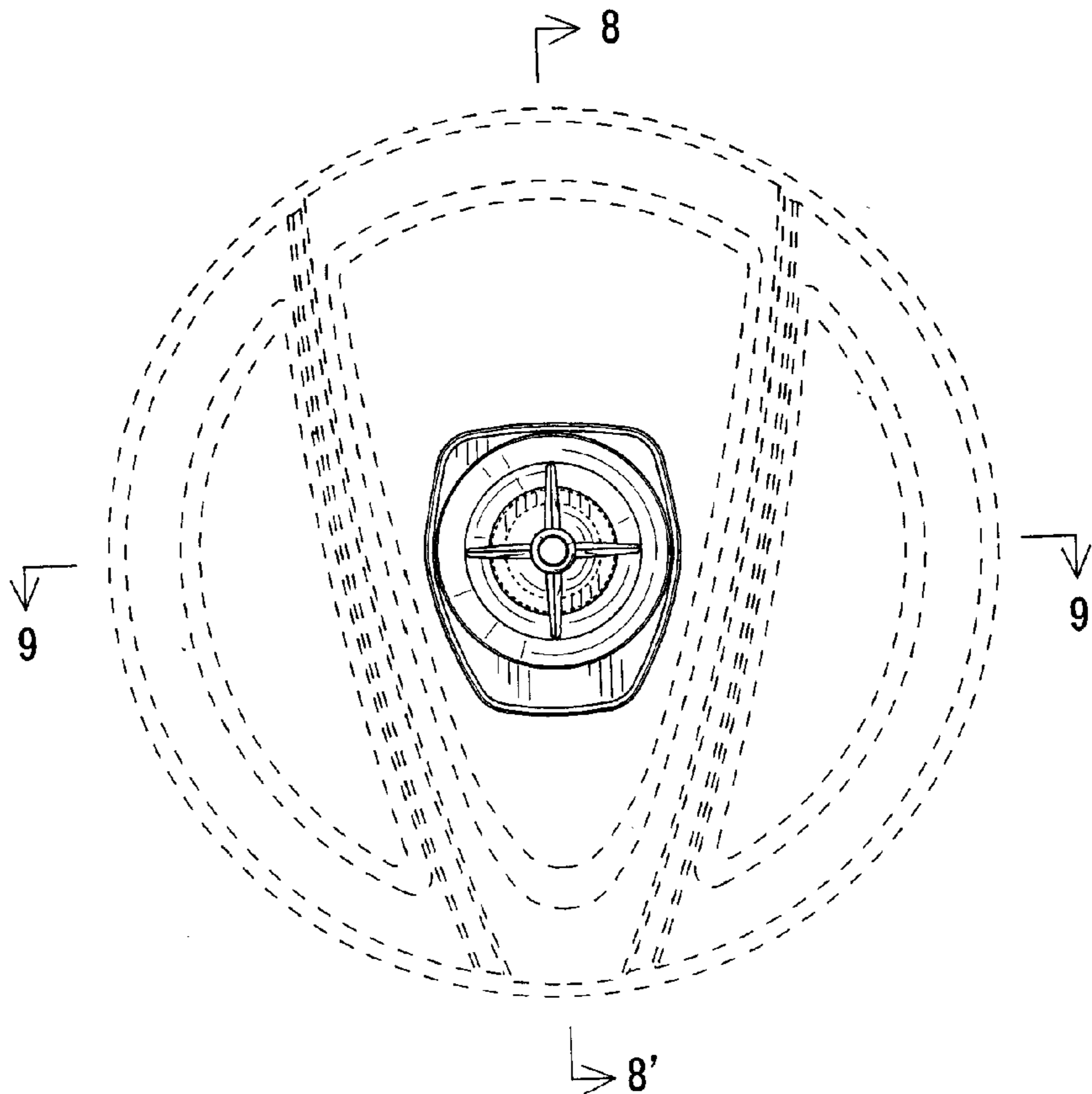


FIG.3

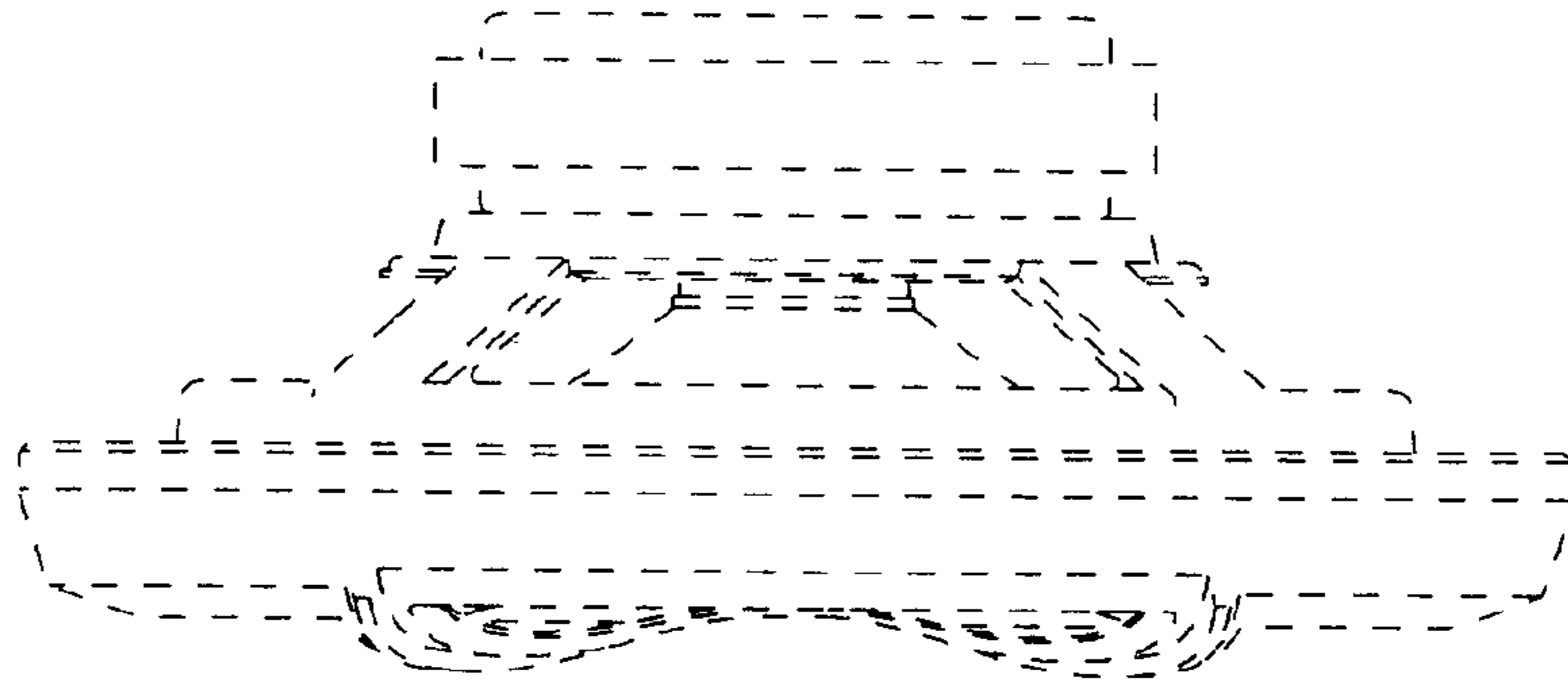


FIG.4



FIG.5

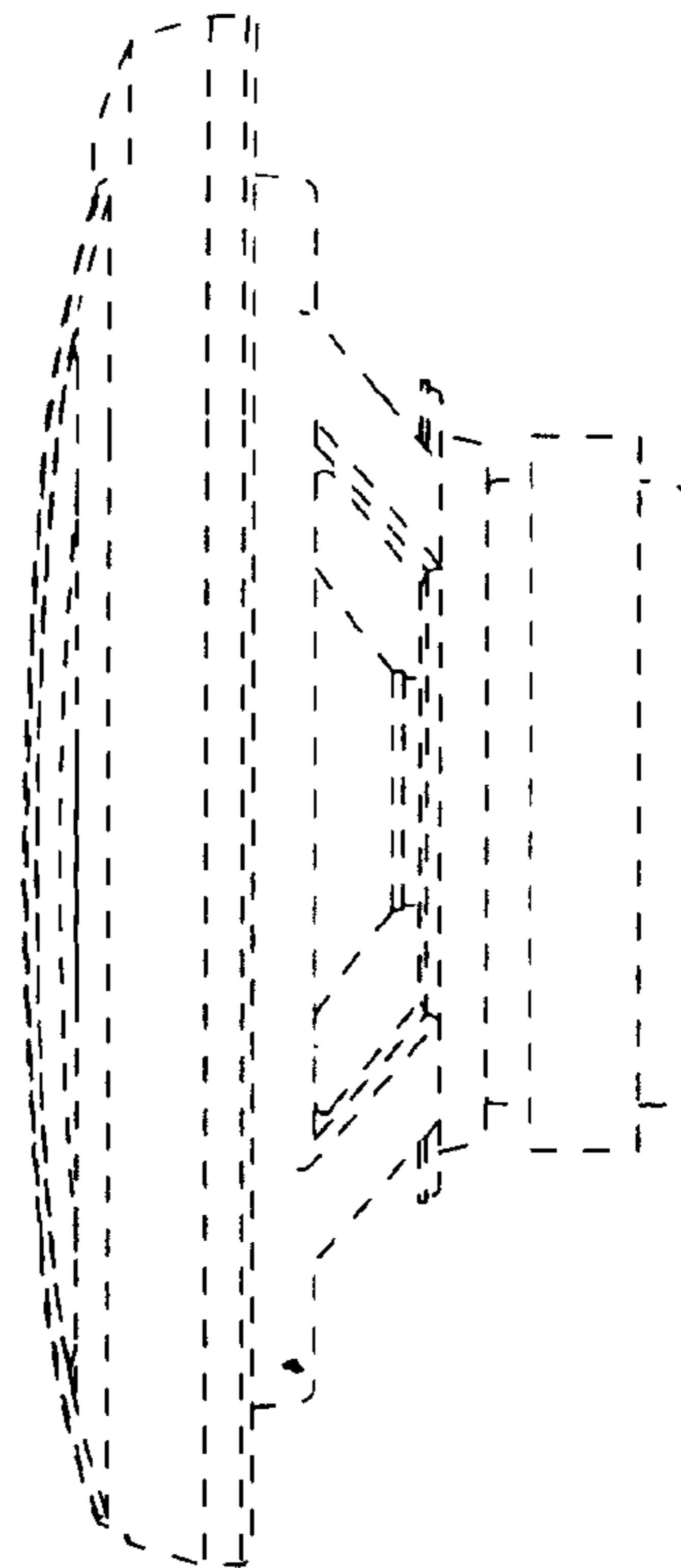


FIG.6

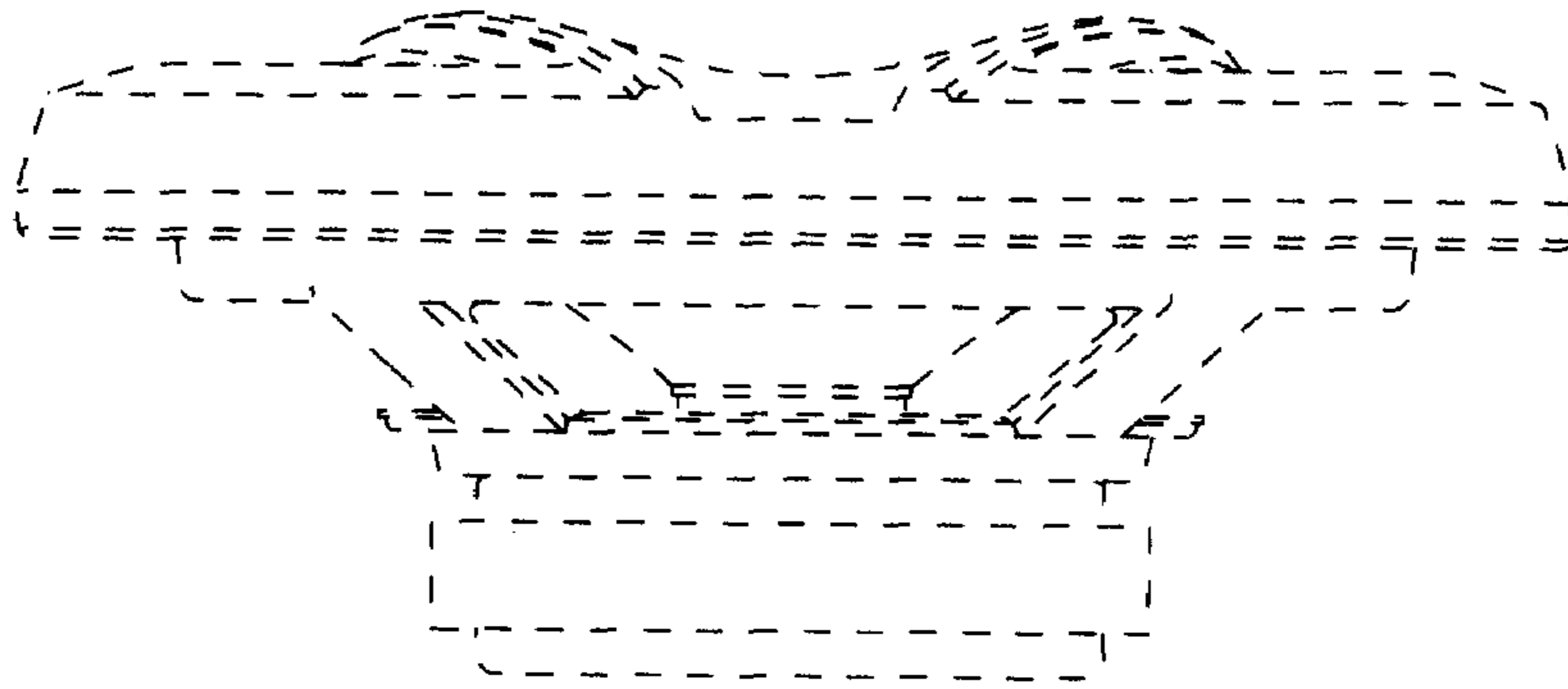


FIG.7

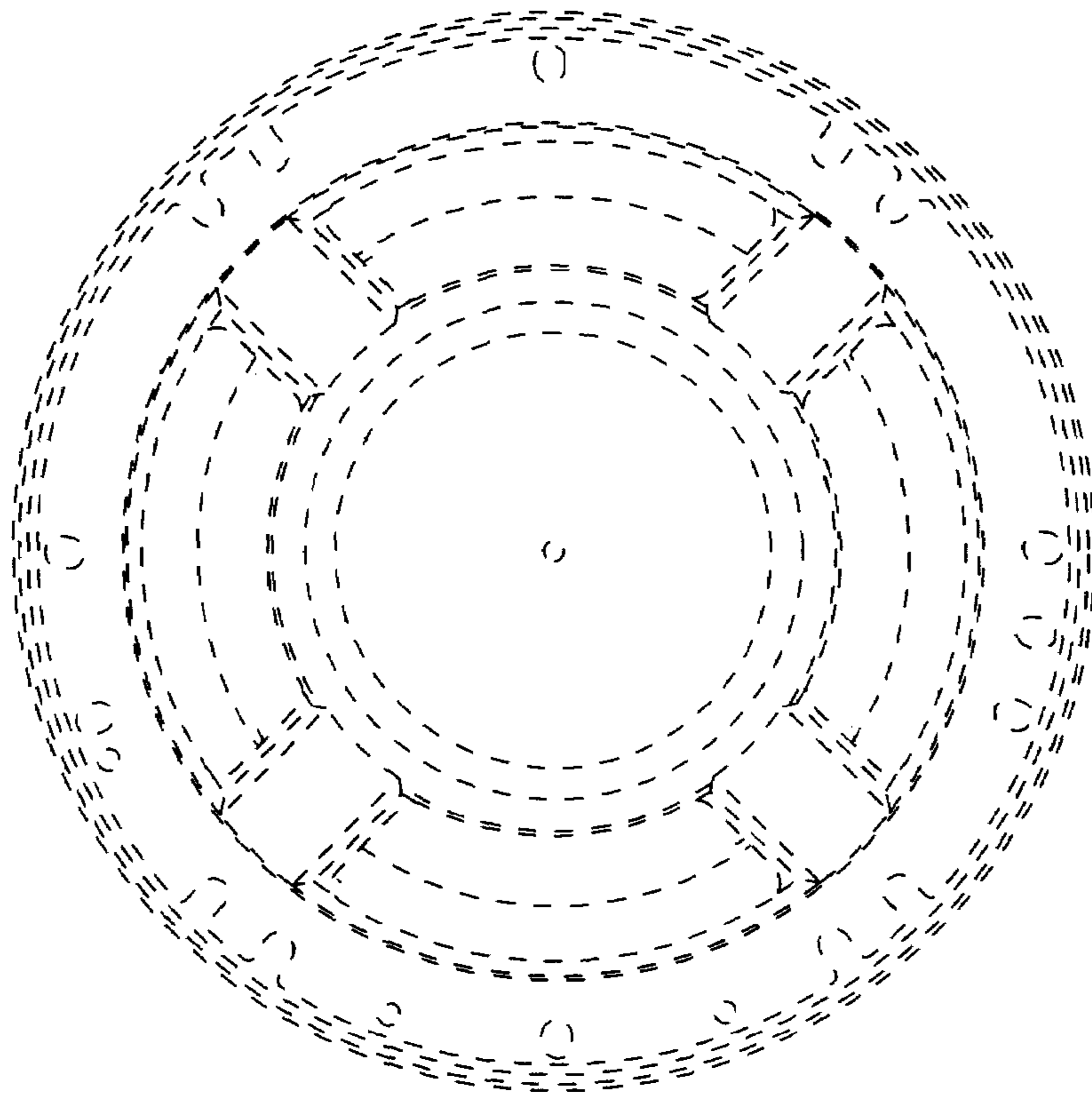


FIG.8

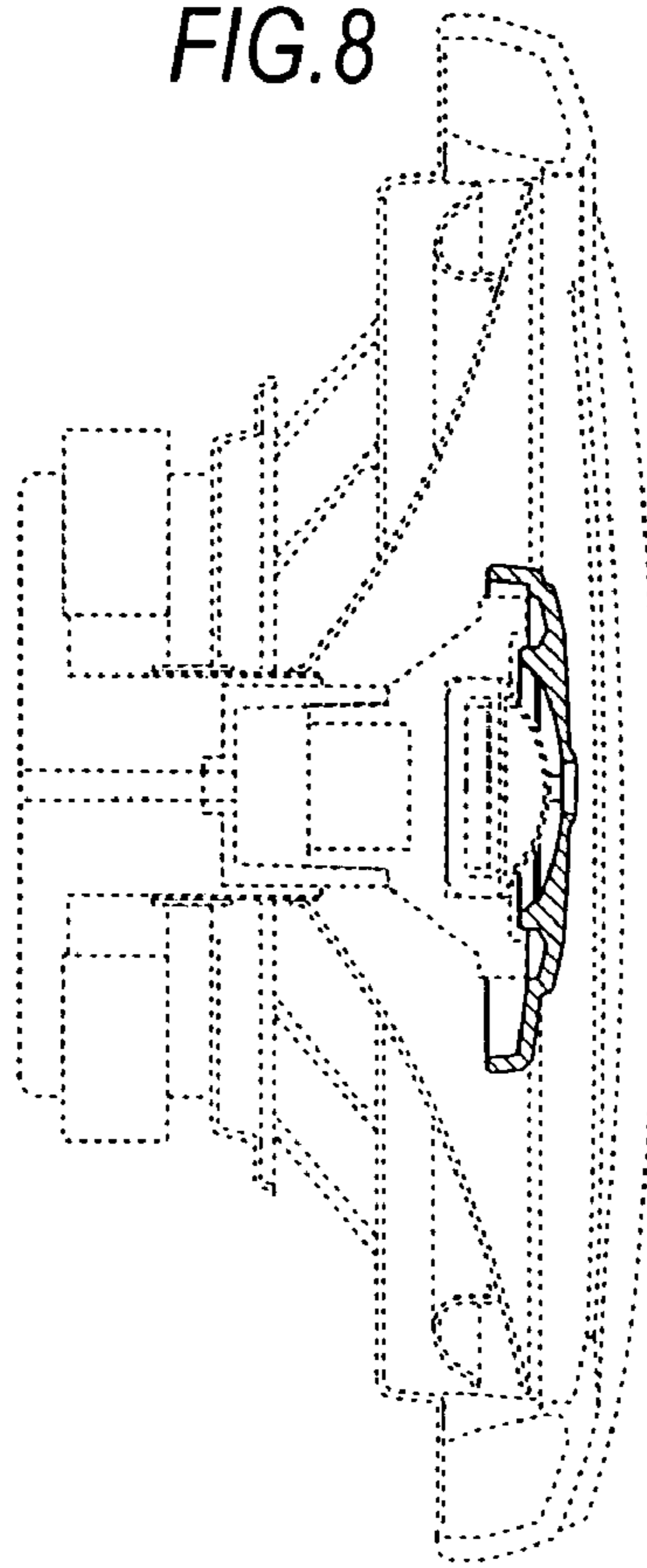


FIG.9

