

(19) World Intellectual Property Organization  
International Bureau



(43) International Publication Date  
2 November 2006 (02.11.2006)

PCT

(10) International Publication Number  
**WO 2006/116212 A3**

(51) International Patent Classification:  
A61B 17/32 (2006.01)

KG, KM, KN, KP, KR, KZ, LC, LK, LR, LS, LT, LU, LV, LY, MA, MD, MG, MK, MN, MW, MX, MZ, NA, NG, NI, NO, NZ, OM, PG, PH, PL, PT, RO, RU, SC, SD, SE, SG, SK, SL, SM, SY, TJ, TM, TN, TR, TT, TZ, UA, UG, US, UZ, VC, VN, YU, ZA, ZM, ZW.

(21) International Application Number:  
PCT/US2006/015296

(22) International Filing Date: 24 April 2006 (24.04.2006)

(84) Designated States (unless otherwise indicated, for every kind of regional protection available): ARIPO (BW, GH, GM, KE, LS, MW, MZ, NA, SD, SL, SZ, TZ, UG, ZM, ZW), Eurasian (AM, AZ, BY, KG, KZ, MD, RU, TJ, TM), European (AT, BE, BG, CH, CY, CZ, DE, DK, EE, ES, FI, FR, GB, GR, HU, IE, IS, IT, LT, LU, LV, MC, NL, PL, PT, RO, SE, SI, SK, TR), OAPI (BF, BJ, CF, CG, CI, CM, GA, GN, GQ, GW, ML, MR, NE, SN, TD, TG).

(25) Filing Language: English

(26) Publication Language: English

(30) Priority Data:  
11/115,446 25 April 2005 (25.04.2005) US

(71) Applicant (for all designated States except US): **GLOBE MEDICAL TECH., INC.** [US/US]; 1766 W. Sam Houston Parkway, Houston, TX 77043 (US).

**Declaration under Rule 4.17:**  
— of inventorship (Rule 4.17(iv))

(72) Inventor: **LAM, Choi**; 8503 Valden Falls Ct., Houston, TX 77083 (US).

**Published:**  
— with international search report  
— before the expiration of the time limit for amending the claims and to be republished in the event of receipt of amendments

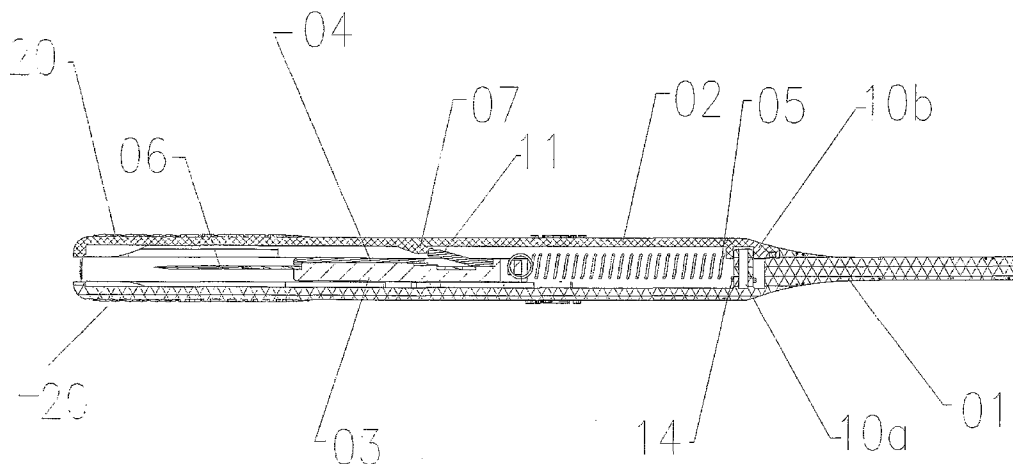
(74) Agent: **MOSELEY, Richard, L.**; P.O. Box 630708, Houston, TX 77263-0708 (US).

(81) Designated States (unless otherwise indicated, for every kind of national protection available): AE, AG, AL, AM, AT, AU, AZ, BA, BB, BG, BR, BW, BY, BZ, CA, CH, CN, CO, CR, CU, CZ, DE, DK, DM, DZ, EC, EE, EG, ES, FI, GB, GD, GE, GH, GM, HR, HU, ID, IL, IN, IS, JP, KE,

(88) Date of publication of the international search report:  
9 August 2007

For two-letter codes and other abbreviations, refer to the "Guidance Notes on Codes and Abbreviations" appearing at the beginning of each regular issue of the PCT Gazette.

(54) Title: AUTOMATIC RETRACTABLE BLADE SCALPEL



(57) Abstract: There is provided a disposable scalpel having an automatically retractable blade. The blade may be secured in any of three positions: 1) an intermediated retracted position for shipping, 2) an exposed position for use and 3) a permanently locked retracted position. A spring is provided which automatically retracts the blade to the desired position.

WO 2006/116212 A3

# INTERNATIONAL SEARCH REPORT

International application No.

PCT/US06/15296

**A. CLASSIFICATION OF SUBJECT MATTER**  
 IPC: **A61B 17/32( 2006.01)**

USPC: **606/167**  
 According to International Patent Classification (IPC) or to both national classification and IPC

**B. FIELDS SEARCHED**

Minimum documentation searched (classification system followed by classification symbols)  
 U.S. : 606/167, 170, 185; 30/162, 335

Documentation searched other than minimum documentation to the extent that such documents are included in the fields searched

Electronic data base consulted during the international search (name of data base and, where practicable, search terms used)  
 SPRING; SCALPEL; PERMANENT DISPOSAL; LOCKING WITH RAMP

**C. DOCUMENTS CONSIDERED TO BE RELEVANT**

Category *	Citation of document, with indication, where appropriate, of the relevant passages	Relevant to claim No.
X ---	US 5,599,351 A (HABER ET AL.) 04 February 1997, see entire document.	1, 6
Y		----- 2-5, 7, 8
Y	US 5,330,493 A (HAINING) 19 July 1994, see entire document.	2-5, 8
Y, P	US 2005/0279363 A1 (CRUZ) 22 December 2005, see entire document.	7, 8
A, E	US 7,087,067 B2 (KEHR ET AL.) 08 August 2006, see entire document.	

Further documents are listed in the continuation of Box C.       See patent family annex.

* Special categories of cited documents:	"T"	later document published after the international filing date or priority date and not in conflict with the application but cited to understand the principle or theory underlying the invention
"A" document defining the general state of the art which is not considered to be of particular relevance	"X"	document of particular relevance; the claimed invention cannot be considered novel or cannot be considered to involve an inventive step when the document is taken alone
"E" earlier application or patent published on or after the international filing date	"Y"	document of particular relevance; the claimed invention cannot be considered to involve an inventive step when the document is combined with one or more other such documents, such combination being obvious to a person skilled in the art
"L" document which may throw doubts on priority claim(s) or which is cited to establish the publication date of another citation or other special reason (as specified)	"&"	document member of the same patent family
"O" document referring to an oral disclosure, use, exhibition or other means		
"P" document published prior to the international filing date but later than the priority date claimed		

Date of the actual completion of the international search 29 May 2007 (29.05.2007)	Date of mailing of the international search report 07 JUN 2007
Name and mailing address of the ISA/US Mail Stop PCT, Attn: ISA/US Commissioner for Patents P.O. Box 1450 Alexandria, Virginia 22313-1450 Facsimile No. (571) 273-3201	Authorized officer <i>allan shoap</i> Telephone No. (571) 272-4514