

United States Patent [19]
Spycher

[11] **Des. 270,054**
[45] **** Aug. 9, 1983**

- [54] **DEMOUNTABLE ANTENNA**
- [76] Inventor: **Helmut Spycher**, Klosterstrasse 40,
CH-5430 Wettingen, Switzerland
- [**] Term: **14 Years**
- [21] Appl. No.: **329,699**
- [22] Filed: **Dec. 11, 1981**

Related U.S. Application Data

- [62] Division of Ser. No. 190,554, Sep. 24, 1980.
- [51] Int. Cl. **D14-03**
- [52] U.S. Cl. **D14/56; D14/91**
- [58] Field of Search **D14/86, 88-91;**
343/715

[56] **References Cited**
PUBLICATIONS

Radio & TV News, 9-57, p. 163, Ward Products Corp.
Ad, Antenna Model #TCFR-2.
Radio Shack Cat. #303, p. 20, Antenna #21-980, p. 21,
Antenna #21-966.

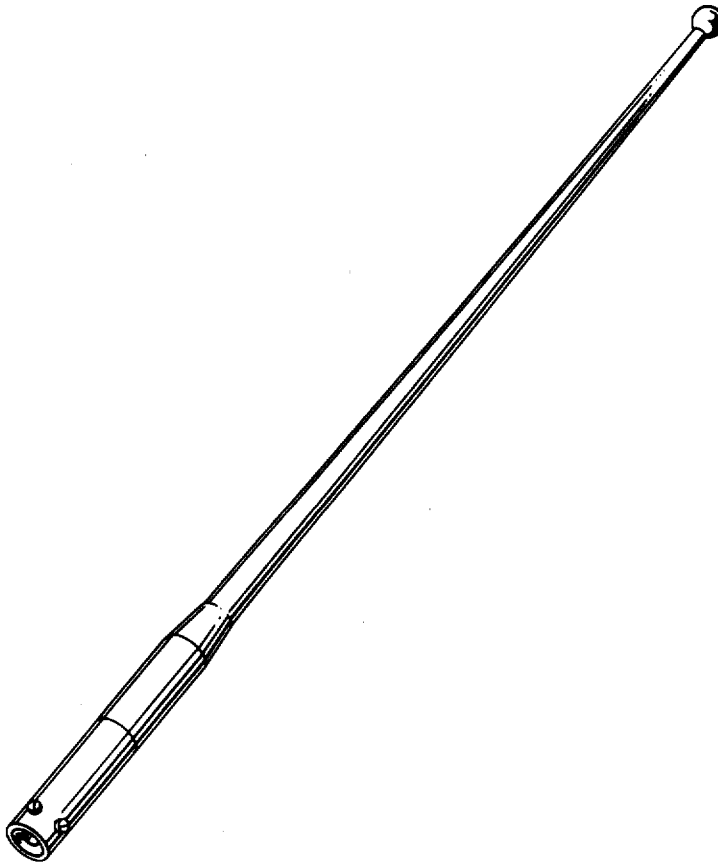
Primary Examiner—Jane E. Corrigan
Attorney, Agent, or Firm—Paul Stux

[57] **CLAIM**

The ornamental design for a demountable antenna, as shown and described.

DESCRIPTION

FIG. 1 is a perspective view of a demountable antenna showing my new design;
FIG. 2 is a front elevational view; and
FIG. 3 is a bottom plan view;
This is a division of design application Ser. No. 190,554, filed Sept. 24, 1980.



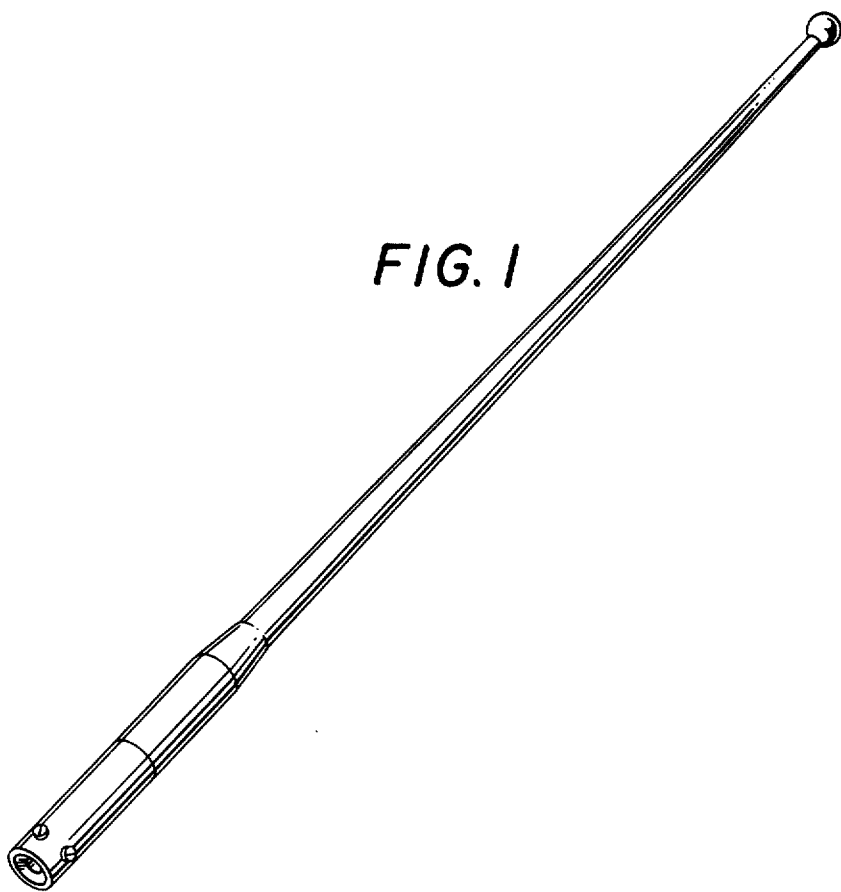


FIG. 1



FIG. 2



FIG. 3