

[54] **DISPLAY FIXTURE**

[75] **Inventor:** Robert N. Shelton, Leominster, Mass.

[73] **Assignee:** Foster Grant Corporation,  
Leominster, Mass.

[\*\*] **Term:** 14 Years

[21] **Appl. No.:** 150,374

[22] **Filed:** May 15, 1980

[52] **U.S. Cl. ....** D6/483

[58] **Field of Search ....** D6/85, 172, 174, 181,  
D6/186, 27, 25, 4, 20; D25/16; 108/108;  
211/49 R, 49 S

[56] **References Cited**

**U.S. PATENT DOCUMENTS**

D. 251,759 5/1979 Pohs et al. .... D6/20  
D. 259,681 6/1981 Bouwman .... D6/85

**OTHER PUBLICATIONS**

*Display World*, May 1973, front cover, Identical Shelves on cover of magazine.

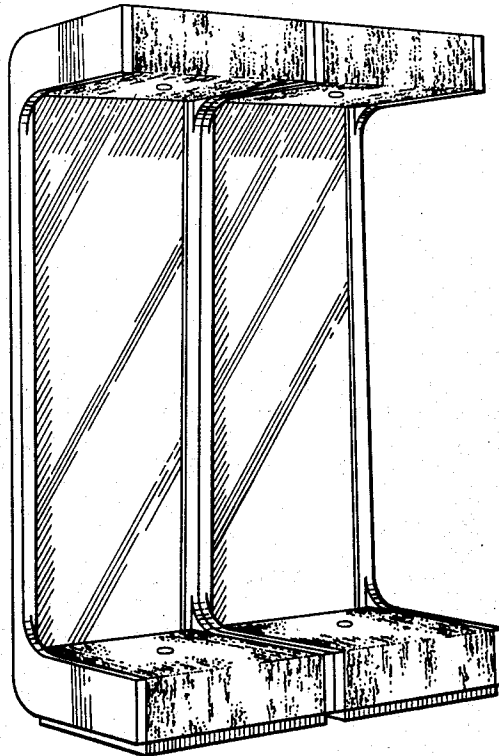
*Primary Examiner*—Joel Stearman  
*Assistant Examiner*—Carmen H. Vales  
*Attorney, Agent, or Firm*—Tatsuya Ikeda

[57] **CLAIM**

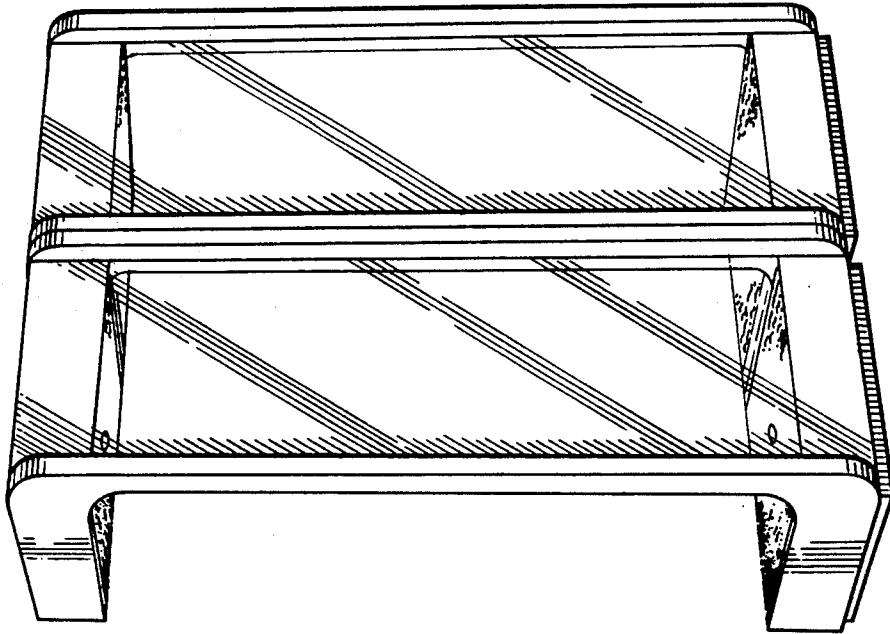
The ornamental design for a display fixture, substantially as shown and described.

**DESCRIPTION**

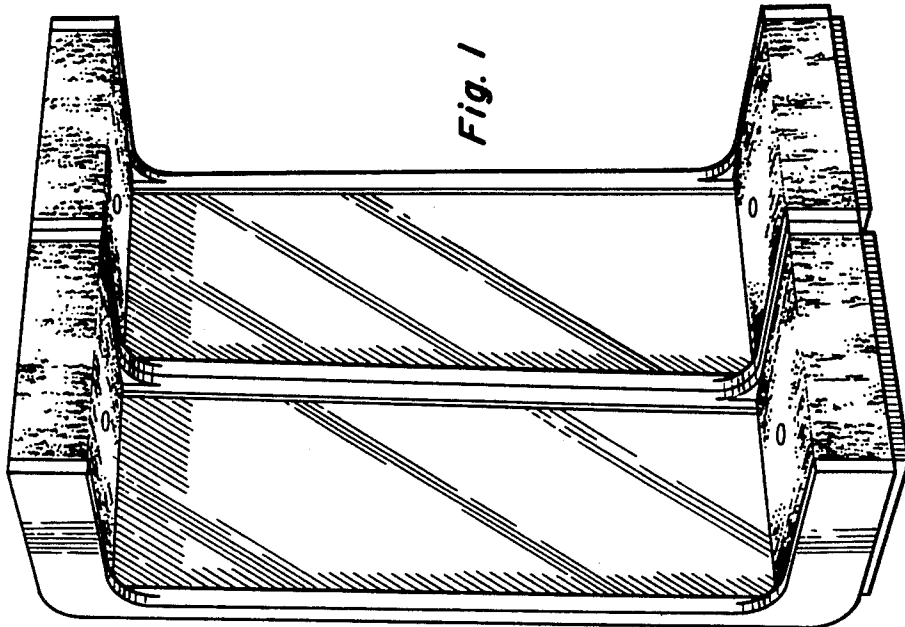
FIG. 1 is a front perspective view of a display fixture showing my new design;  
FIG. 2 is a rear perspective view thereof;  
FIG. 3 is a front elevational view thereof;  
FIG. 4 is a side elevational view thereof; and  
FIG. 5 is a top plan view thereof.

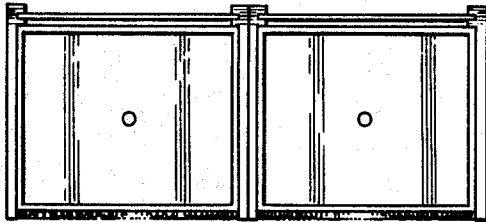


*Fig. 2*

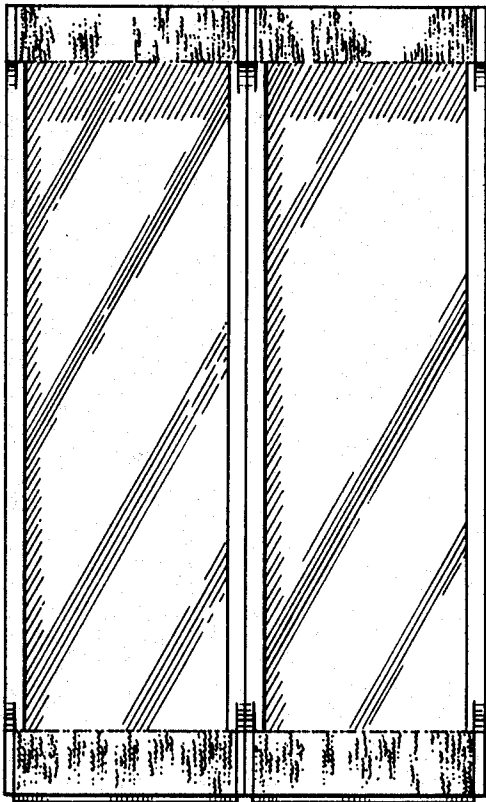


*Fig. 1*

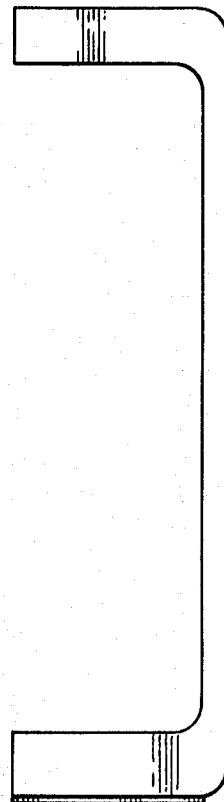




*Fig. 5*



*Fig. 3*



*Fig. 4*