

(19) World Intellectual Property Organization
International Bureau



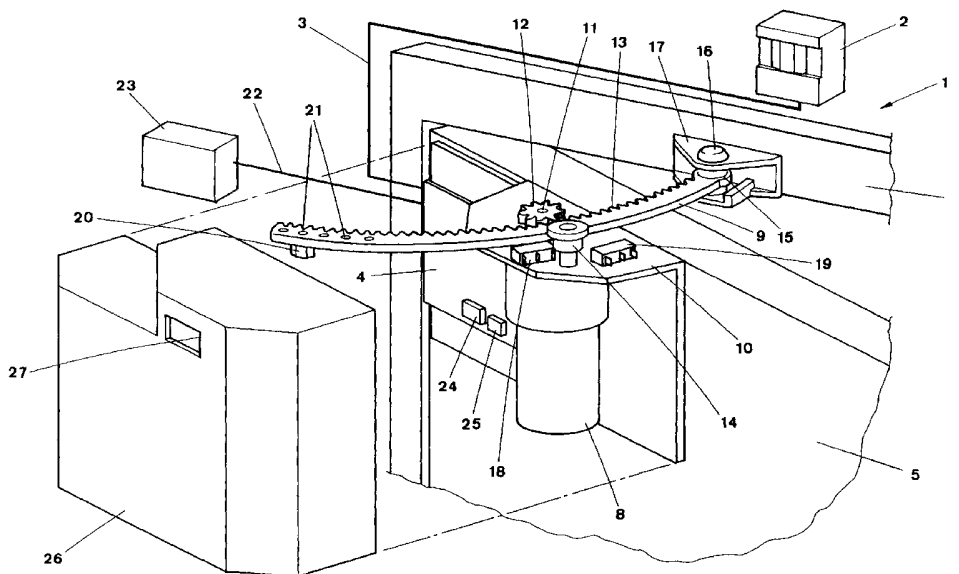
(43) International Publication Date
10 May 2002 (10.05.2002)

(10) International Publication Number
PCT
WO 02/036906 A3

- (51) International Patent Classification⁷: E05F 15/12, (74) Agents: SCHUCH, Ernest, Robert et al.; Level 5, 22 The Terrace, P.O. Box 10 615, Wellington (NZ).
 - (21) International Application Number: PCT/NZ01/00248
 - (22) International Filing Date: 6 November 2001 (06.11.2001)
 - (25) Filing Language: English
 - (26) Publication Language: English
 - (30) Priority Data: 507984 6 November 2000 (06.11.2000) NZ
 - (71) Applicant (for all designated States except US): CHURTON MANAGEMENT LIMITED [NZ/NZ]; P.O. Box 13 554, Wellington (NZ).
 - (72) Inventor; and
 - (75) Inventor/Applicant (for US only): LANGE, Stephen, Mark [NZ/NZ]; 22 Merlin Court, Paraparaumu, Wellington (NZ).
 - (81) Designated States (national): AE, AG, AL, AM, AT, AU, AZ, BA, BB, BG, BR, BY, BZ, CA, CH, CN, CO, CR, CU, CZ, DE, DK, DM, DZ, EC, EE, ES, FI, GB, GD, GE, GH, GM, HR, HU, ID, IL, IN, IS, JP, KE, KG, KP, KR, KZ, LC, LK, LR, LS, LT, LU, LV, MA, MD, MG, MK, MN, MW, MX, MZ, NO, NZ, PL, PT, RO, RU, SD, SE, SG, SI, SK, SL, TJ, TM, TR, TT, TZ, UA, UG, US, UZ, VN, YU, ZA, ZW.
 - (84) Designated States (regional): ARIPO patent (GH, GM, KE, LS, MW, MZ, SD, SL, SZ, TZ, UG, ZW), Eurasian patent (AM, AZ, BY, KG, KZ, MD, RU, TJ, TM), European patent (AT, BE, CH, CY, DE, DK, ES, FI, FR, GB, GR, IE, IT, LU, MC, NL, PT, SE, TR), OAPI patent (BF, BJ, CF, CG, CI, CM, GA, GN, GQ, GW, ML, MR, NE, SN, TD, TG).
- Published:
— with international search report

[Continued on next page]

(54) Title: METHOD AND APPARATUS FOR CONTROLLING A BARRIER



(57) Abstract: The invention relates to an apparatus (1) for controlling the operation of a barrier (5), the apparatus including an actuator means (2), a control means (4), a drive means (8) and a drive arm (9), the drive arm being elongate and parallel with the direction of travel of the barrier, the actuator means being activated to generate a signal to the control means receiving the signal and activating a drive means, the drive means exerting a force against the drive arm to move the barrier in the direction of travel, the drive arm being a rack having teeth, and the drive means is a rotor having a shaft with a pinion attached thereto, the pinion engaging the teeth in the rack and rotating to move along the rack. The invention also includes a computer program for operating the control means.



WO 02/036906 A3



(88) Date of publication of the international search report:
24 October 2002

For two-letter codes and other abbreviations, refer to the "Guidance Notes on Codes and Abbreviations" appearing at the beginning of each regular issue of the PCT Gazette.

INTERNATIONAL SEARCH REPORT

International application No.
PCT/NZ01/00248

A. CLASSIFICATION OF SUBJECT MATTER		
Int. Cl. ⁷ : E05F 15/12, 15/10		
According to International Patent Classification (IPC) or to both national classification and IPC		
B. FIELDS SEARCHED		
Minimum documentation searched (classification system followed by classification symbols) E05F 15/10, 15/12		
Documentation searched other than minimum documentation to the extent that such documents are included in the fields searched AU: IPC AS ABOVE		
Electronic data base consulted during the international search (name of data base and, where practicable, search terms used) DWPI: IPC marks and GEAR, PINION, RACK, COG, TEETH		
C. DOCUMENTS CONSIDERED TO BE RELEVANT		
Category*	Citation of document, with indication, where appropriate, of the relevant passages	Relevant to claim No.
X Y	GB 2 179 699 A (HONG-JEN WANG) 11 March 1987 Entire document	1 - 8 9 - 12
X Y	FR 2 473 101 A (LEAR SNC DI FOGGINI & CIE) 10 July 1981 Claims & Drawings	1, 2, 5, 6, 7 9 - 12
X Y	FR 2 517 734 A (SAPA, SOCIETE AIGNANAISE DES PRODUITS AUTOMATIQUES) 10 June 1983 Entire document	1, 5, 8 9 - 12
<input checked="" type="checkbox"/> Further documents are listed in the continuation of Box C <input checked="" type="checkbox"/> See patent family annex		
* Special categories of cited documents:		
"A"	document defining the general state of the art which is not considered to be of particular relevance	"T" later document published after the international filing date or priority date and not in conflict with the application but cited to understand the principle or theory underlying the invention
"E"	earlier application or patent but published on or after the international filing date	"X" document of particular relevance; the claimed invention cannot be considered novel or cannot be considered to involve an inventive step when the document is taken alone
"L"	document which may throw doubts on priority claim(s) or which is cited to establish the publication date of another citation or other special reason (as specified)	"Y" document of particular relevance; the claimed invention cannot be considered to involve an inventive step when the document is combined with one or more other such documents, such combination being obvious to a person skilled in the art
"O"	document referring to an oral disclosure, use, exhibition or other means	"&" document member of the same patent family
"P"	document published prior to the international filing date but later than the priority date claimed	
Date of the actual completion of the international search 16 April 2002	Date of mailing of the international search report 1 MAY 2002	
Name and mailing address of the ISA/AU AUSTRALIAN PATENT OFFICE PO BOX 200, WODEN ACT 2606, AUSTRALIA E-mail address: pct@ipaaustralia.gov.au Facsimile No. (02) 6285 3929	Authorized officer VENKAT IYER Telephone No : (02) 6283 2144	

INTERNATIONAL SEARCH REPORT

International application No.

PCT/NZ01/00248

C (Continuation). DOCUMENTS CONSIDERED TO BE RELEVANT		
Category*	Citation of document, with indication, where appropriate, of the relevant passages	Relevant to claim No.
X Y	DE 3 428 809 A (EQUIPMENTS AUTOMOBILES MARCHAL) 14 February 1985 Entire document	1, 5, 6, 7 9 - 12
A, Y	US 5 513 467 A (CURRENT et al) 7 May 1996 Entire document	1 - 8, 9 - 12
Y	US 5 278 480 A (MURRAY) 11 January 1994 Entire document	9 - 12

INTERNATIONAL SEARCH REPORT
Information on patent family members

International application No.
PCT/NZ01/00248

This Annex lists the known "A" publication level patent family members relating to the patent documents cited in the above-mentioned international search report. The Australian Patent Office is in no way liable for these particulars which are merely given for the purpose of information.

Patent Document Cited in Search Report		Patent Family Member					
GB	2179699	NONE					
FR	2473101	IT	1119526				
FR	2517734	NONE					
DE	3428809	ES	534875	ES	8505016	FR	2550267
		IT	1179757	JP	60112977		
US	5513467	NONE					
US	5278480	NONE					
END OF ANNEX							