



US00D762013S

(12) **United States Design Patent**
Tominaga et al.

(10) **Patent No.:** **US D762,013 S**

(45) **Date of Patent:** **** *Jul. 19, 2016**

(54) **CONTAINER FOR BREEDING SMALL ANIMALS**

(71) Applicant: **Kabushiki Kaisha Tominaga Jyushi Kogyosho**, Higashiosaka-shi, Osaka (JP)

(72) Inventors: **Kazutoshi Tominaga**, Higashiosaka (JP); **Hikaru Nakagawa**, Higashiosaka (JP)

(73) Assignee: **Kabushiki Kaisha Tominaga Jyushi Kogyosho**, Higashiosaka-shi, Osaka (JP)

(*) Notice: This patent is subject to a terminal disclaimer.

(**) Term: **14 Years**

(21) Appl. No.: **29/507,343**

(22) Filed: **Oct. 27, 2014**

(30) **Foreign Application Priority Data**

Jul. 3, 2014 (JP) 2014-014666

(51) **LOC (10) Cl.** **30-02**

(52) **U.S. Cl.**
USPC **D30/114**

(58) **Field of Classification Search**

USPC D30/101, 104, 108, 110–112, 114, 116, D30/119, 124–128, 199; 119/174, 246, 269, 119/300–311, 319, 416–419, 421, 428–429, 119/430–435, 452, 459, 467, 474, 482, 487, 119/494–495, 498–499, 500–503, 516; 47/66.6, 69; 237/14–15; D11/145; D7/629; D9/772
CPC A01K 1/03; A01K 1/033; A01K 1/031; A01K 1/035; A01K 1/0245; A01K 1/0356; A01K 31/18; A01K 63/003

See application file for complete search history.

(56) **References Cited**

U.S. PATENT DOCUMENTS

D194,793	S	*	3/1963	Perl et al.	D30/101
3,791,346	A	*	2/1974	Willinger	A01K 1/035 119/455
4,480,587	A	*	11/1984	Sedlacek	A01K 1/031 119/419
4,640,228	A	*	2/1987	Sedlacek	A01K 1/031 119/419
4,924,810	A	*	5/1990	Tominaga	A01K 1/03 119/6.5
D311,357	S	*	10/1990	Addy	D11/145
5,012,763	A	*	5/1991	Morrison	A01K 1/0245 119/302
5,092,269	A	*	3/1992	Phillips	A01K 1/03 119/452
5,174,241	A	*	12/1992	Goguen	A01K 1/0245 119/496
5,404,839	A	*	4/1995	Mancuso	A01K 63/003 119/246
5,429,800	A	*	7/1995	Miraldi	A61L 2/24 119/418

(Continued)

Primary Examiner — Cathy Anne MacCormac
(74) *Attorney, Agent, or Firm* — Collard & Roe, P.C.

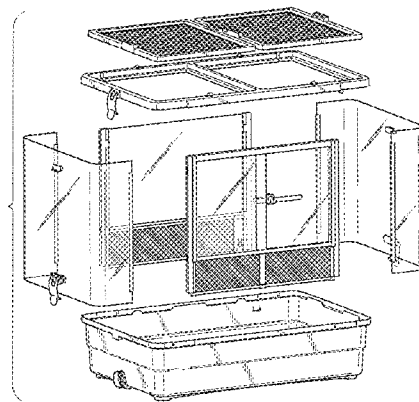
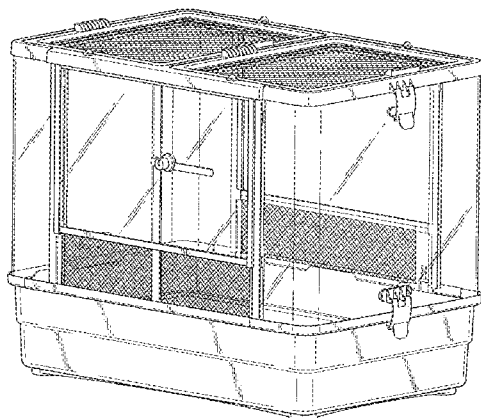
(57) **CLAIM**

The ornamental design for a container for breeding small animals, as shown and described.

DESCRIPTION

FIG. 1 is a front, side and top perspective view of a container for breeding small animals, showing our new design;
FIG. 2 is a front view thereof;
FIG. 3 is a rear view thereof;
FIG. 4 is a top view thereof;
FIG. 5 is a bottom view thereof;
FIG. 6 is a left side view thereof;
FIG. 7 is a right side view thereof; and,
FIG. 8 is an exploded perspective view thereof.

1 Claim, 8 Drawing Sheets



(56)

References Cited

U.S. PATENT DOCUMENTS

5,466,603	A *	11/1995	Meehan	B01L 7/02 435/285.1	7,114,463	B2 *	10/2006	Donohoe	A01K 1/0236 119/417
5,794,567	A *	8/1998	Itzhak	A01K 63/003 119/416	7,481,183	B2 *	1/2009	Van Heygen	A01K 63/003 119/246
5,797,350	A *	8/1998	Smith	A01K 1/03 119/454	7,497,187	B2 *	3/2009	Ingley, III	A01K 1/031 119/417
5,855,187	A *	1/1999	Tominaga	A01K 1/03 119/452	D592,049	S *	5/2009	Doliwa	D7/629
5,924,384	A *	7/1999	Deitrich	A01K 1/031 119/416	D612,999	S *	3/2010	Migita	D30/108
6,067,939	A *	5/2000	Tominaga	A01K 1/03 119/474	8,151,733	B2 *	4/2012	Gabriel	A01K 1/031 119/419
6,336,425	B1 *	1/2002	Gabriel	A01K 1/031 119/419	8,156,899	B2 *	4/2012	Conger	A01K 1/031 119/417
6,588,373	B1 *	7/2003	Strzempko	A01K 1/031 119/416	D699,008	S *	2/2014	Wang	D30/108
6,684,817	B1 *	2/2004	Tominaga	A01K 1/03 119/452	8,851,016	B2 *	10/2014	Lin	A01K 1/031 119/417

* cited by examiner

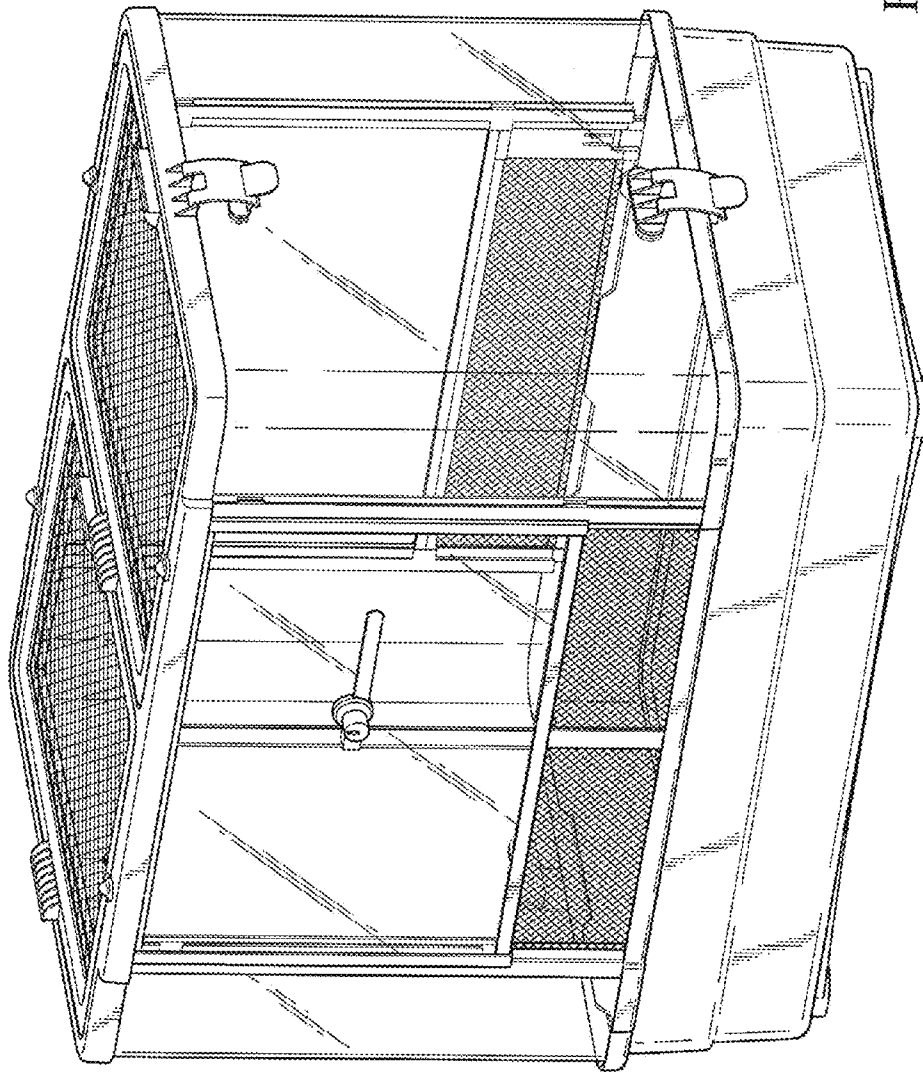


FIG. 1

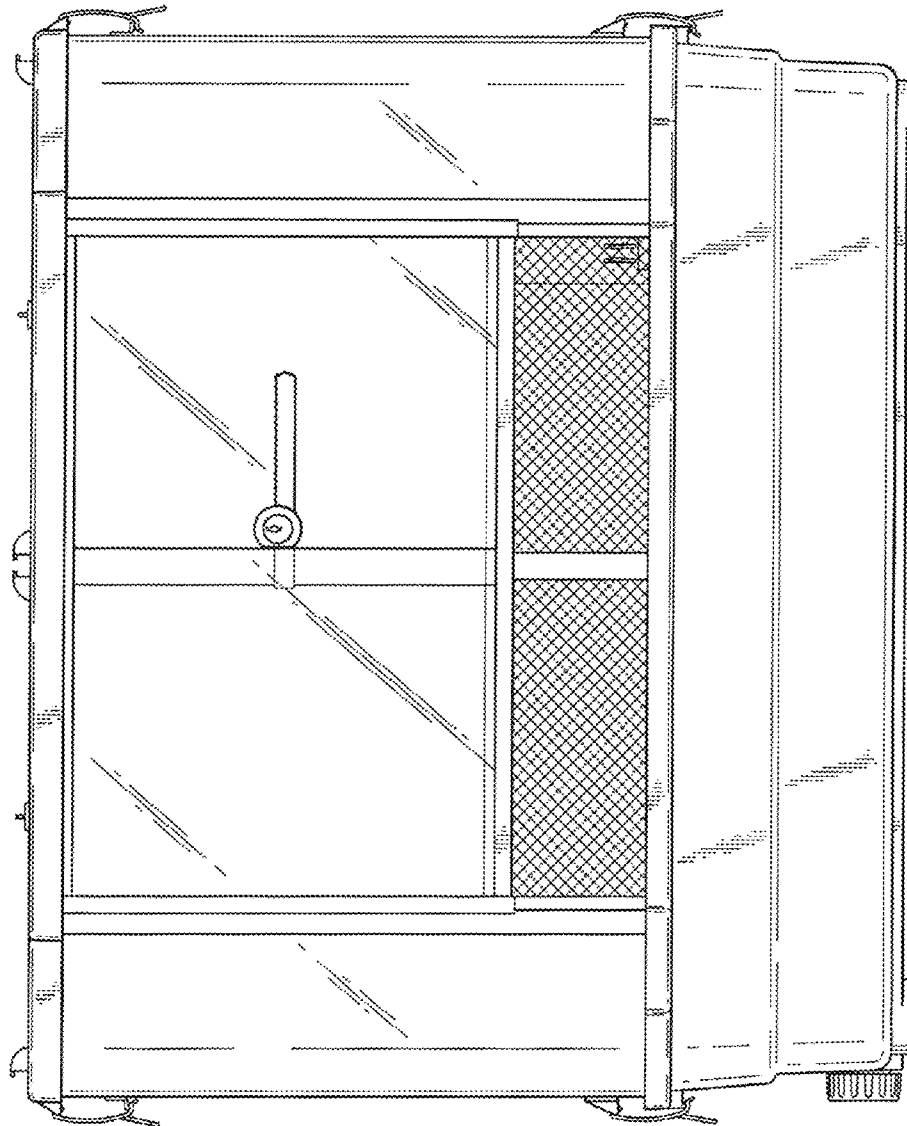


FIG. 2

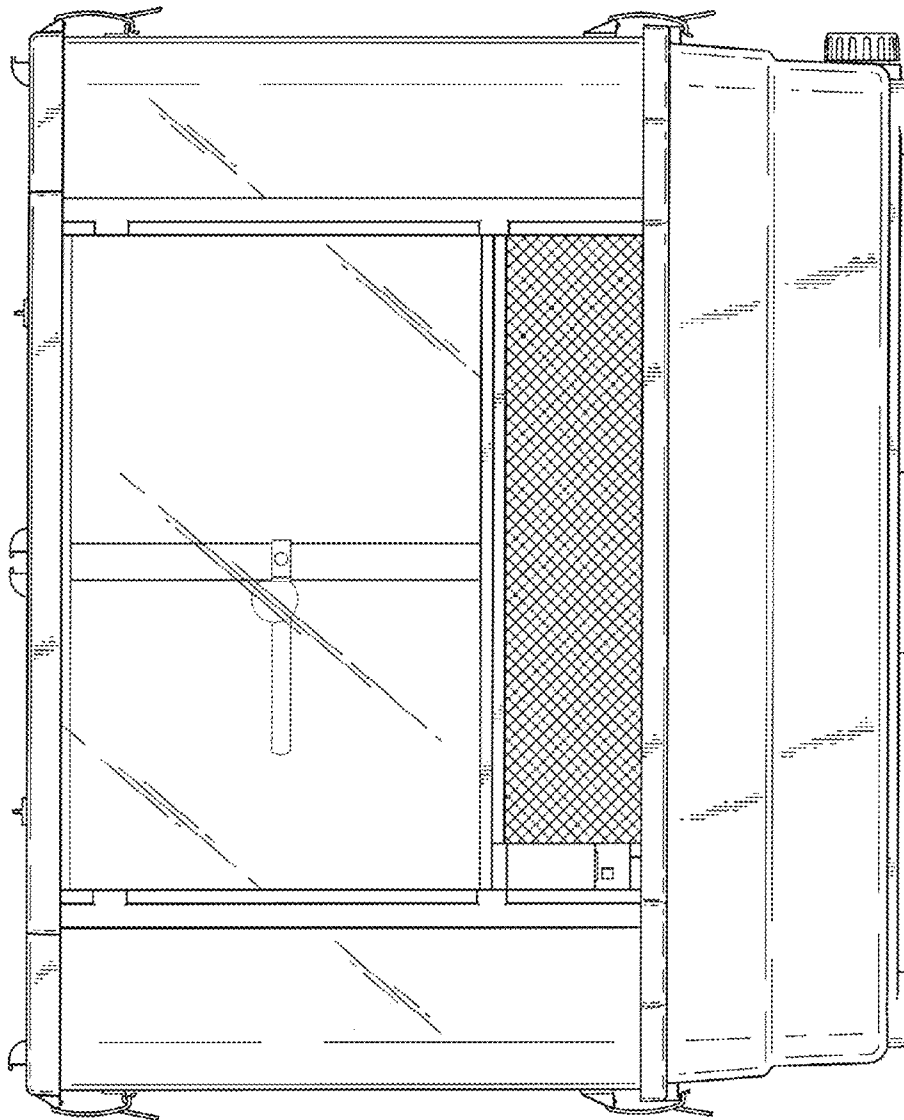


FIG. 3

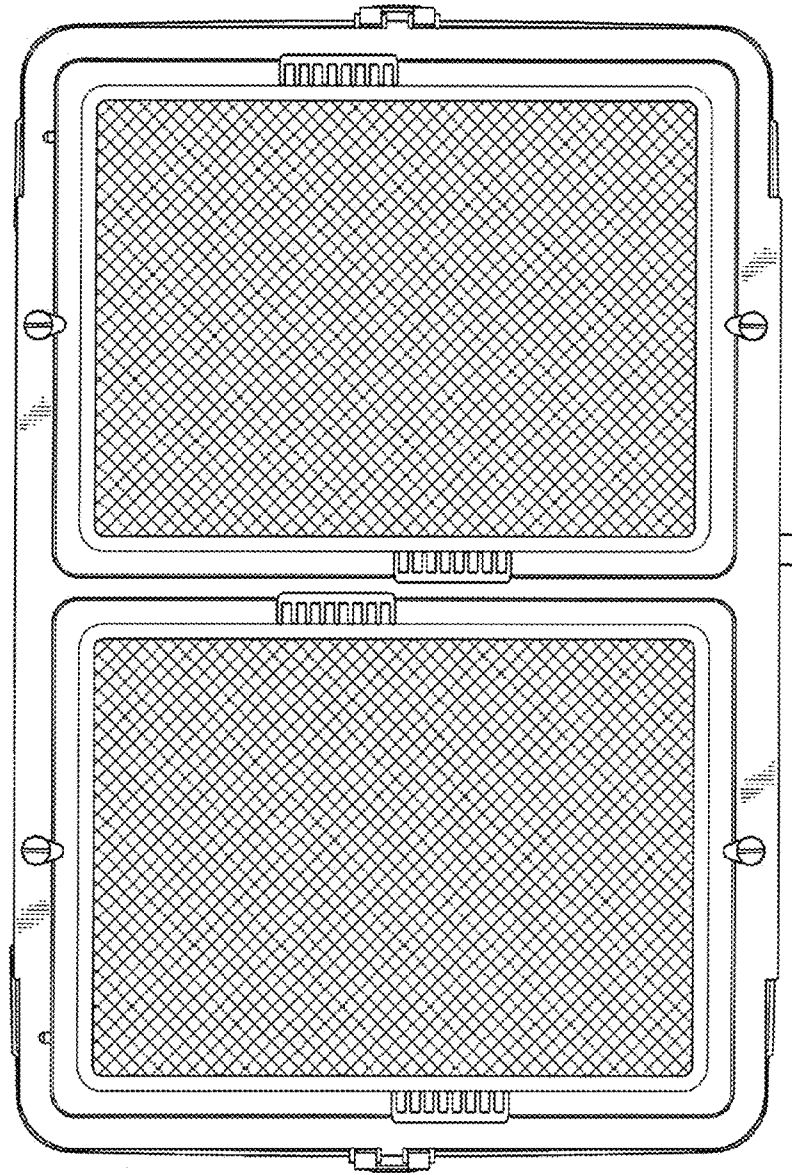


FIG. 4

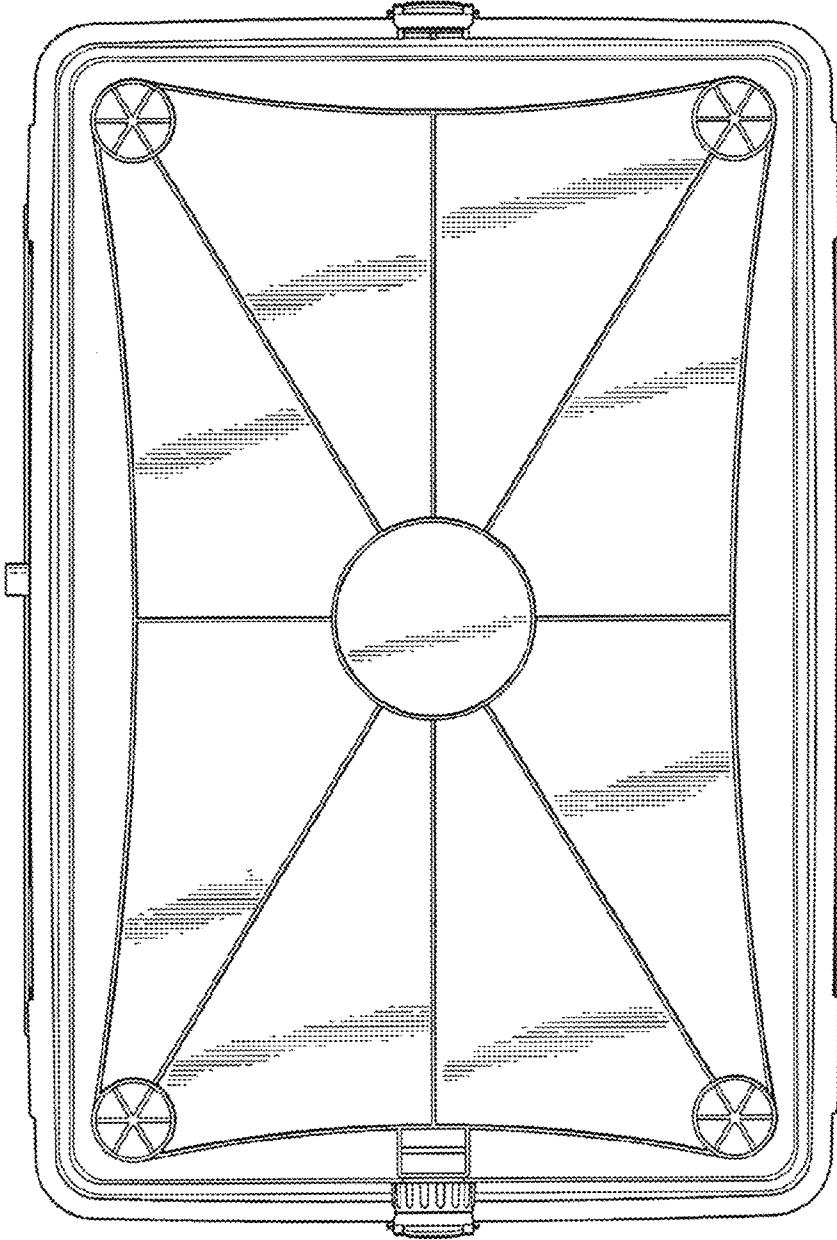


FIG. 5

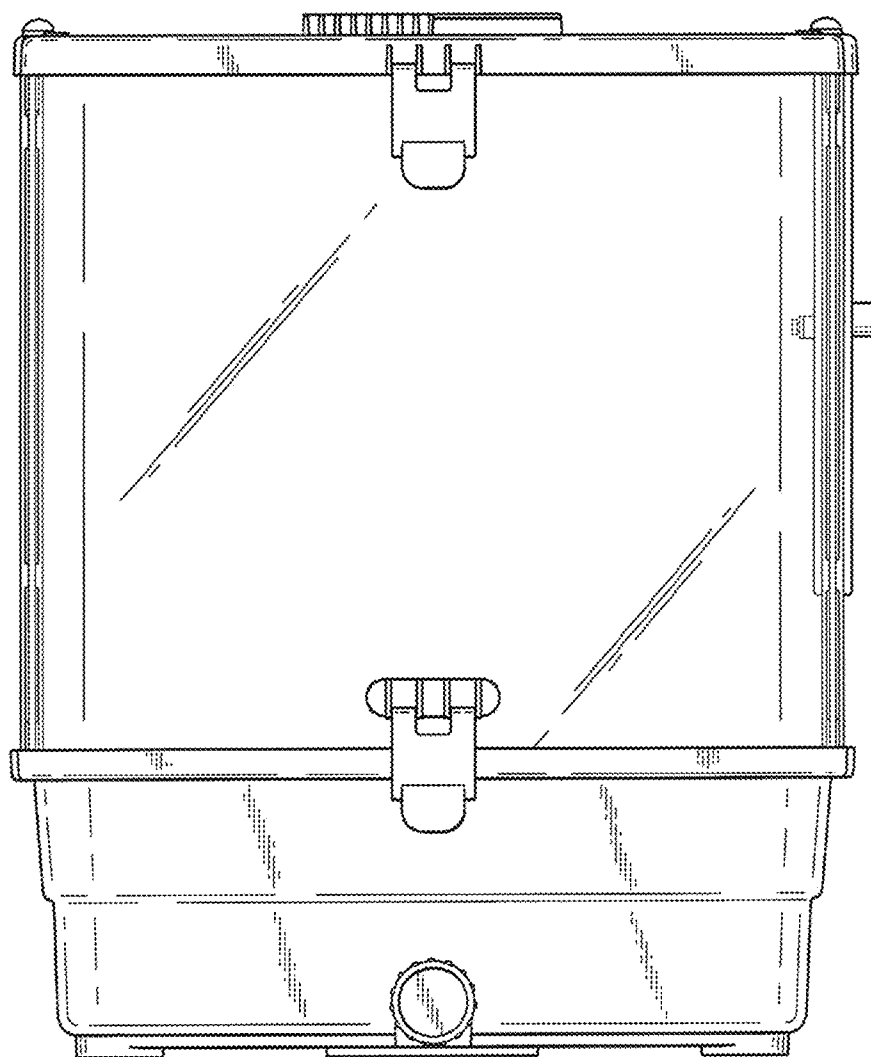


FIG. 6

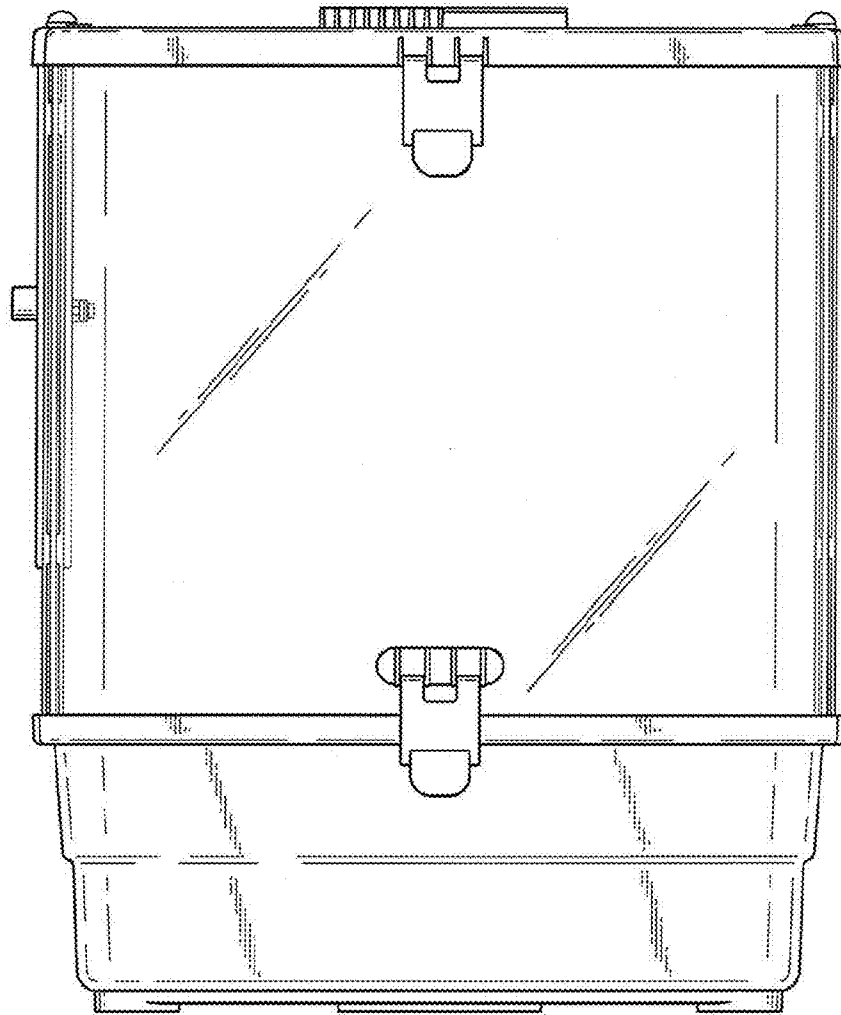


FIG. 7

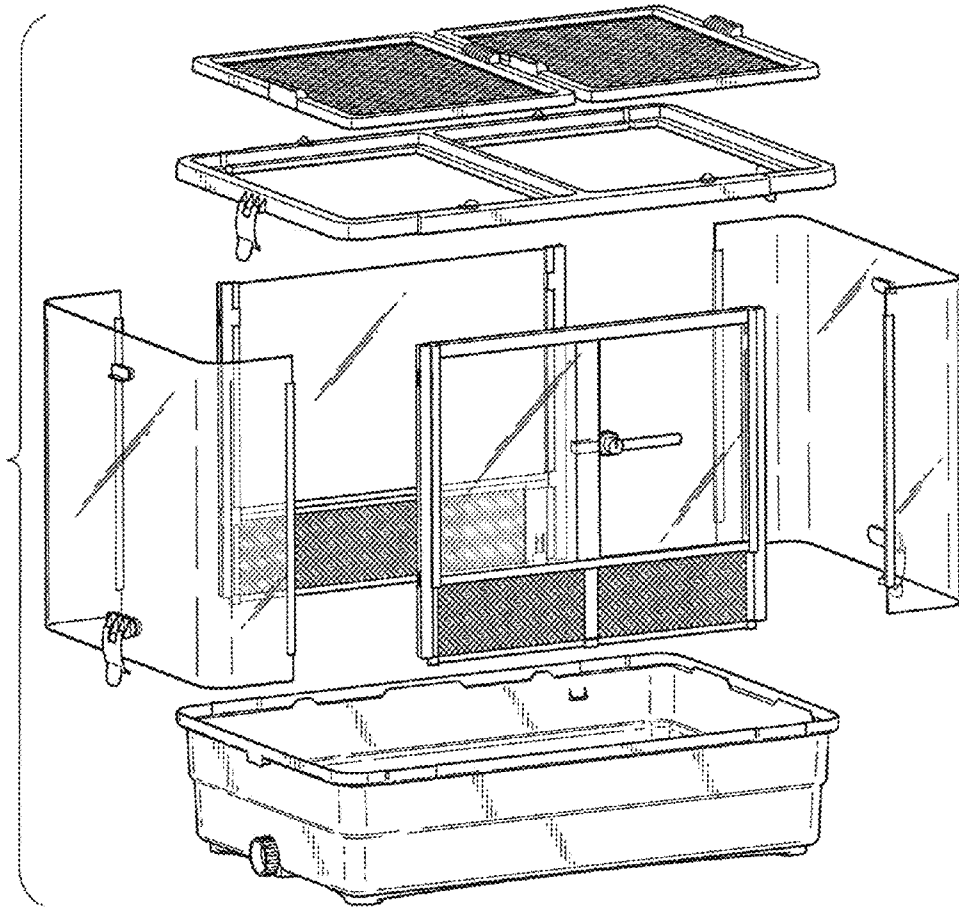


FIG. 8