



US00D604604S

(12) **United States Design Patent**
Strange

(10) **Patent No.:** **US D604,604 S**

(45) **Date of Patent:** **** Nov. 24, 2009**

(54) **CONTAINER WITH HINGED LID**

(75) Inventor: **Randall Glenn Strange**, Manteca, CA (US)

(73) Assignee: **Packaging Plus, LLC**, La Mirada, CA (US)

(**) Term: **14 Years**

(21) Appl. No.: **29/327,709**

(22) Filed: **Nov. 11, 2008**

(51) **LOC (9) Cl.** **09-03**

(52) **U.S. Cl.** **D9/425; D9/424**

(58) **Field of Classification Search** D9/414-416, D9/418-420, 423-428, 430-432, 434, 435; D7/354, 392.1, 394, 396.1, 538, 543-545, D7/550.1, 551, 554.3, 587, 566, 575, 584, D7/586, 629, 667; 220/4.21-4.24, 293, 574, 220/602-608, 659, 675, 781-782, 793, 835, 220/839; 206/119, 205, 440, 467, 470, 508, 206/521.1, 545, 806; 229/406; 219/725, 219/728, 732, 735; D23/359; D3/302, 314
See application file for complete search history.

(56) **References Cited**

U.S. PATENT DOCUMENTS

- 5,046,659 A * 9/1991 Warburton 220/4.22
- 5,092,479 A * 3/1992 Wells 220/4.23
- D361,035 S * 8/1995 Krupa D9/424
- 5,515,993 A * 5/1996 McManus 220/4.23

- D382,112 S * 8/1997 Egan D3/273
- D382,795 S * 8/1997 Abayhan et al. D9/425
- D409,485 S * 5/1999 Christy, Jr. D9/425
- D451,278 S * 12/2001 Cooper D3/294
- D478,282 S * 8/2003 Hayes et al. D9/425
- 6,845,878 B2 * 1/2005 Hayes et al. 220/839
- D569,243 S * 5/2008 Kidd et al. D9/425
- D579,326 S * 10/2008 Chen D9/427
- 7,472,799 B2 * 1/2009 Cadiente et al. 220/366.1

* cited by examiner

Primary Examiner—Philip S Hyder

Assistant Examiner—Susan E Krakower

(74) *Attorney, Agent, or Firm*—Fliesler Meyer LLP

(57) **CLAIM**

The ornamental design for a container with hinged lid, as shown and described.

DESCRIPTION

FIG. 1 is a top perspective view of a container with hinged lid showing our new design;

FIG. 2 is a bottom perspective view thereof;

FIG. 3 is a front view thereof;

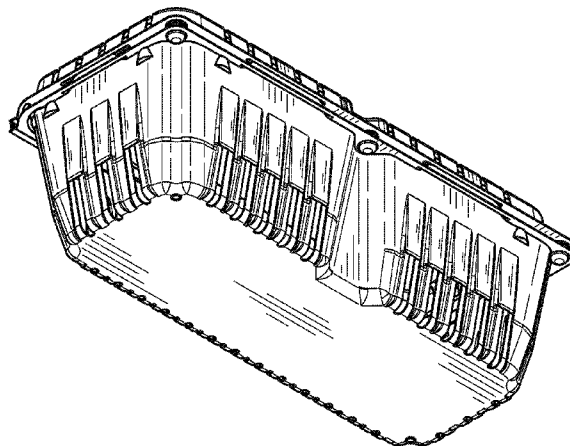
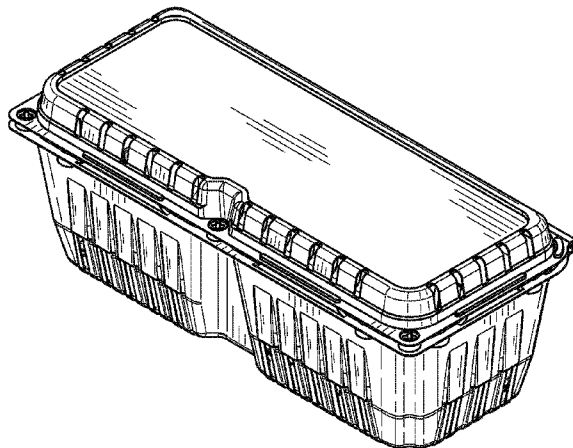
FIG. 4 is a bottom view thereof;

FIG. 5 is a top view thereof;

FIG. 6 is a back view thereof; and,

FIG. 7 is a side view thereof, the opposite side being a mirror image.

1 Claim, 5 Drawing Sheets



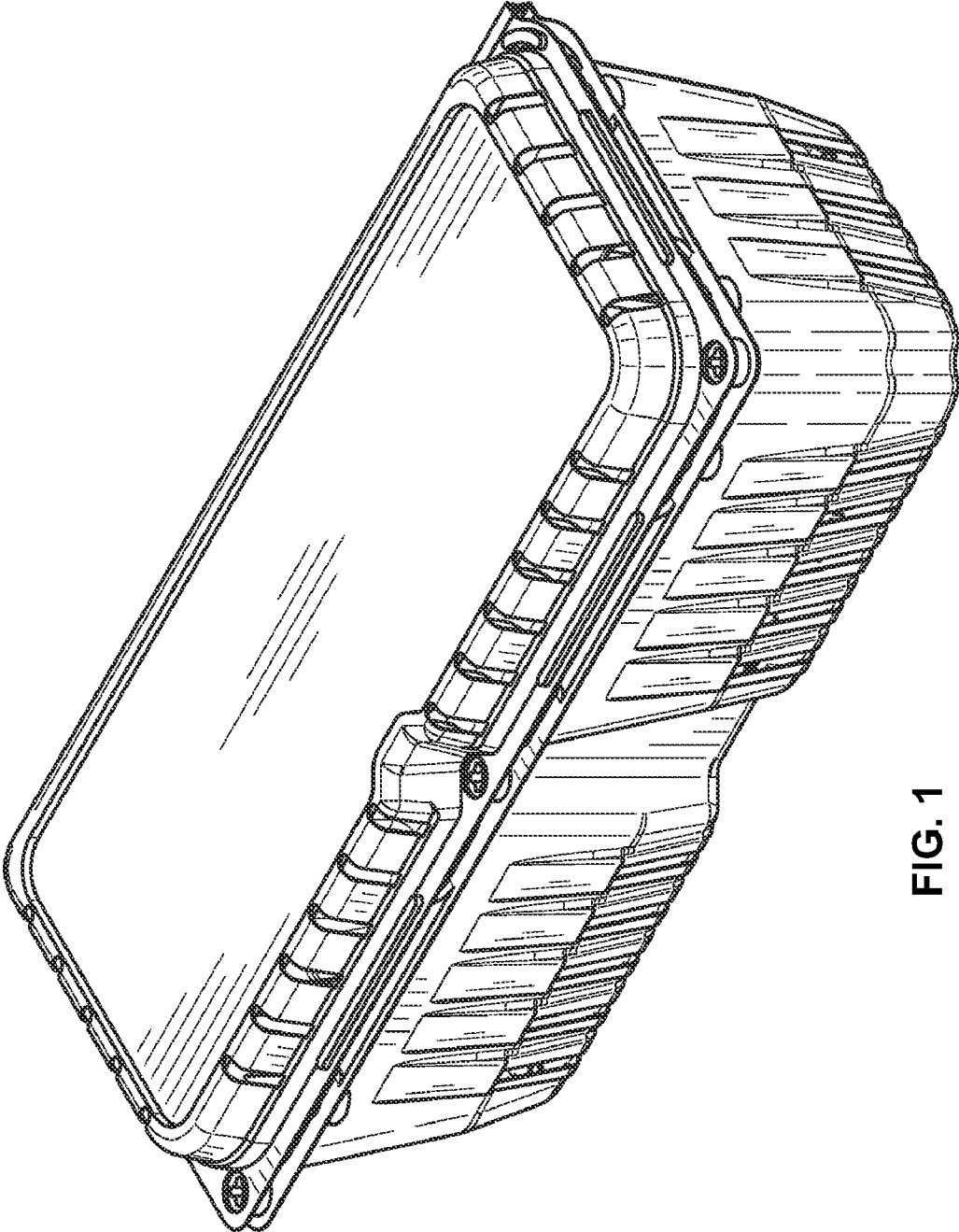


FIG. 1

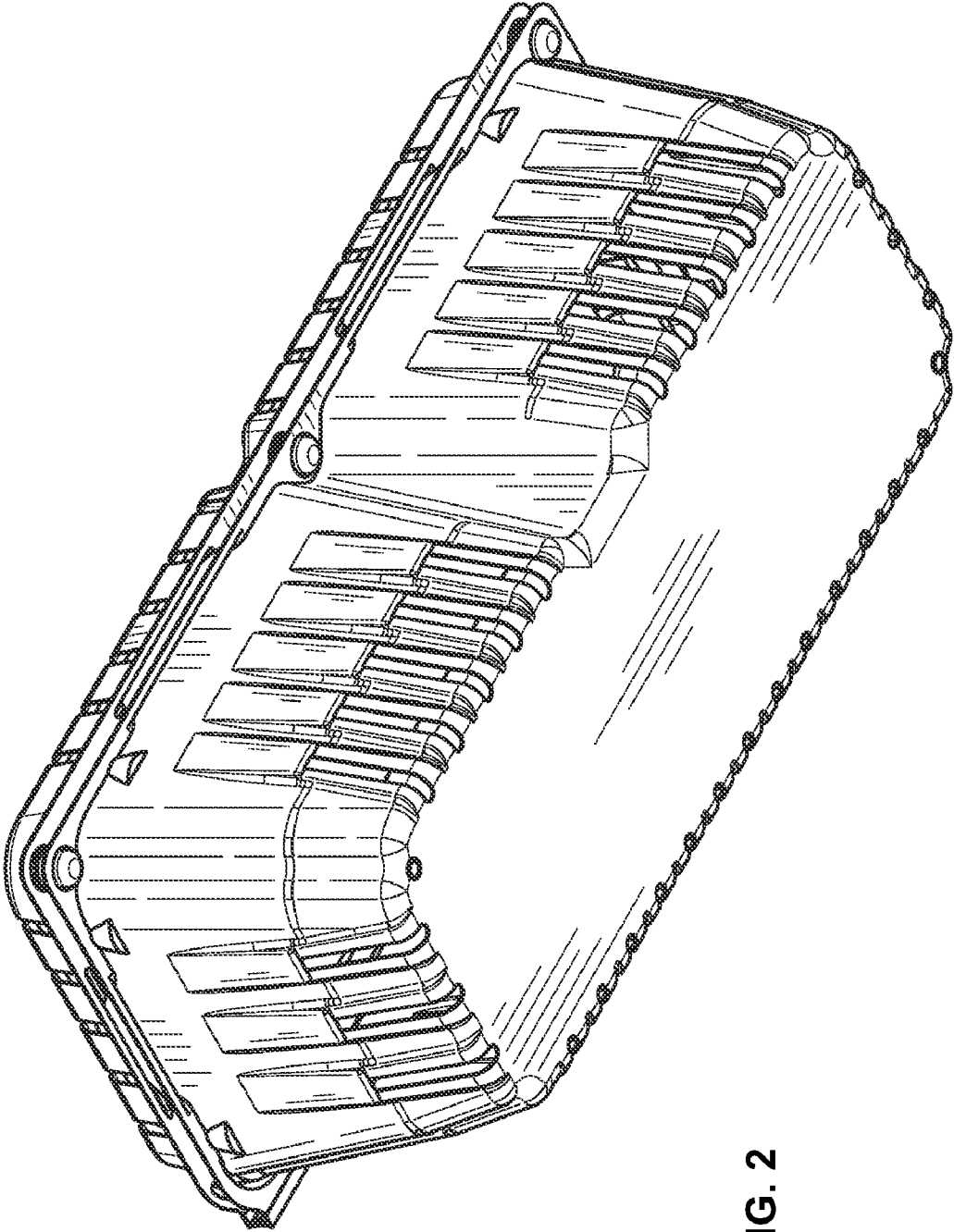


FIG. 2

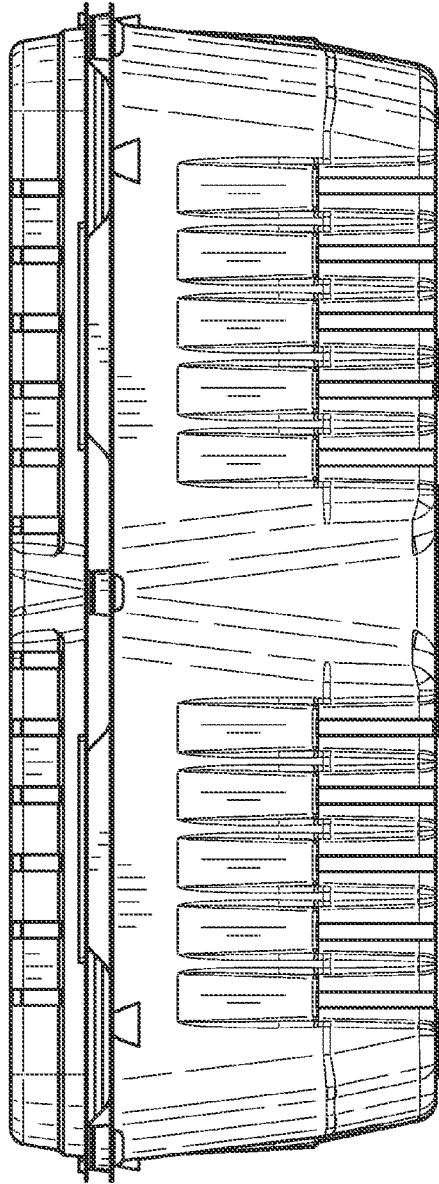


FIG. 3

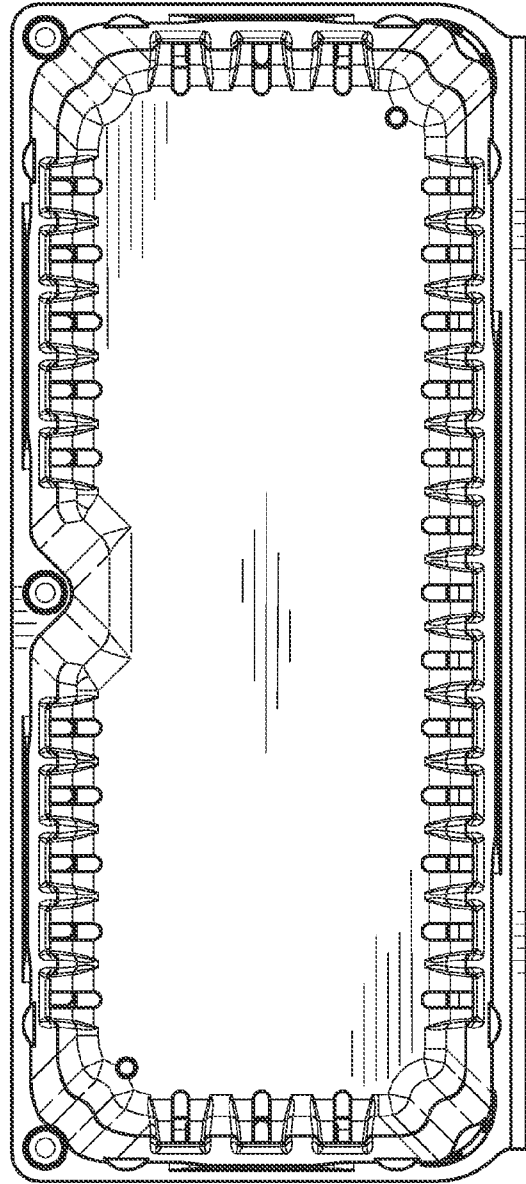


FIG. 4

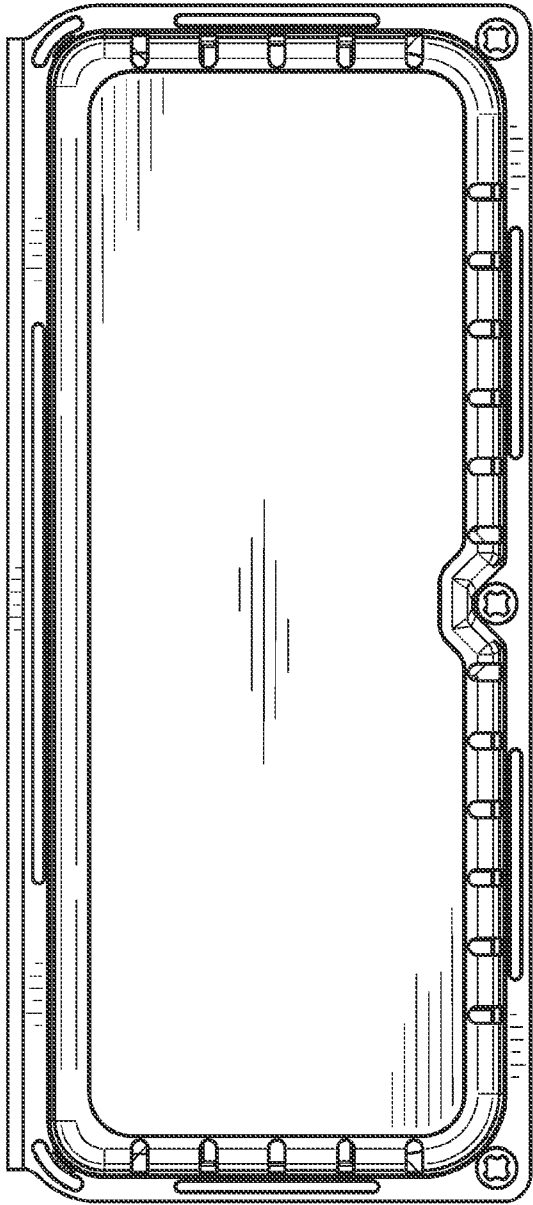


FIG. 5

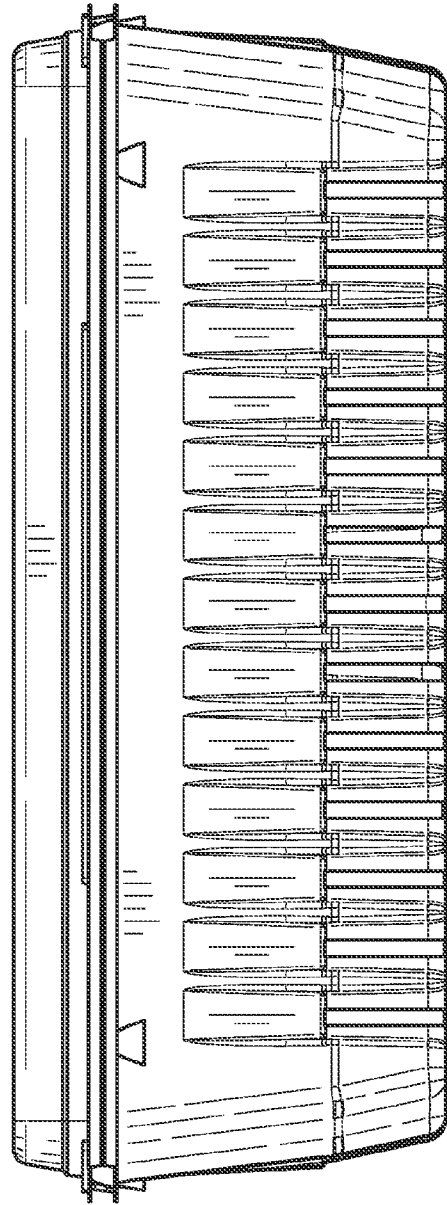


FIG. 6

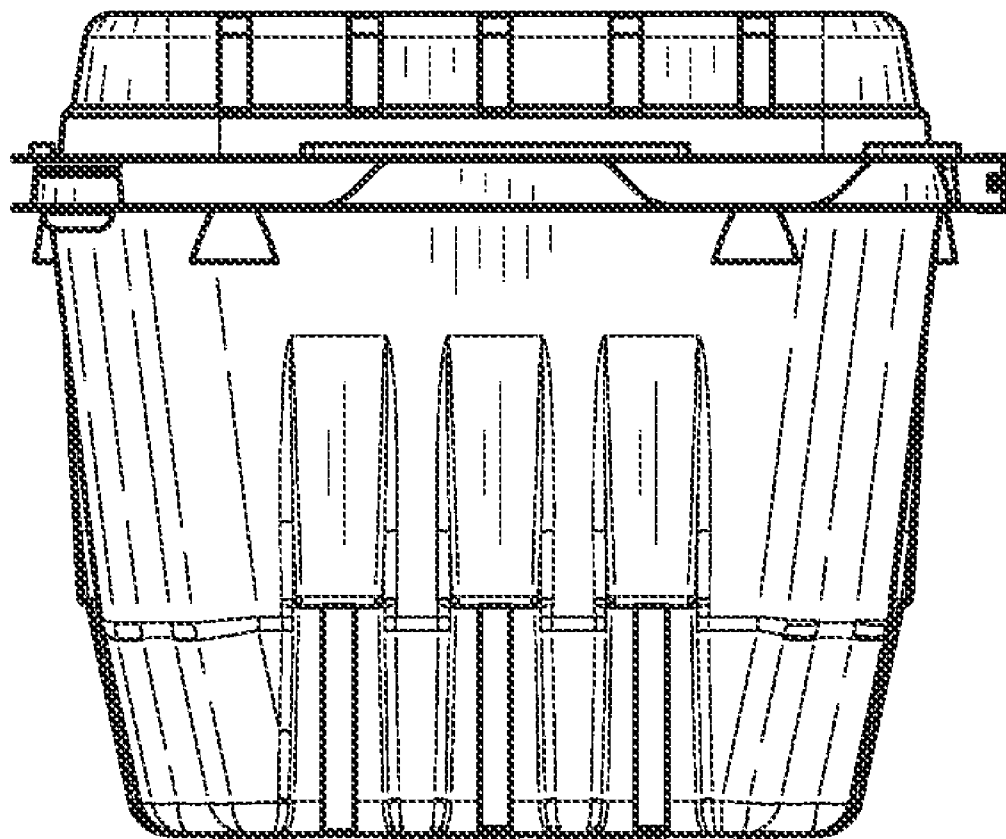


FIG. 7