



US00D616102S

(12) **United States Design Patent**
Musgrave

(10) **Patent No.:** **US D616,102 S**

(45) **Date of Patent:** **** May 18, 2010**

(54) **DENTAL APPLIANCE HOLDER**

D557,344 S * 12/2007 Johnson D20/41
D574,433 S * 8/2008 Poma D19/83

(76) Inventor: **Edward Musgrave**, 2854 Millbridge Pl.,
San Ramon, CA (US) 94583

* cited by examiner

(**) Term: **14 Years**

Primary Examiner—Charles A Rademaker
(74) *Attorney, Agent, or Firm*—Randick O’Dea & Tooliatos,
LLP; John Nielsen

(21) Appl. No.: **29/340,047**

(22) Filed: **Jul. 13, 2009**

(57) **CLAIM**

(51) **LOC (9) Cl.** **24-03**

The ornamental design for a dental appliance holder, as
shown and described.

(52) **U.S. Cl.** **D24/177; D24/185**

(58) **Field of Classification Search** D24/155,
D24/156, 180, 176, 177, 216, 221, 185; 433/173,
433/176, 125, 126; 606/304, 74, 72; D6/514,
D6/512, 527, 572; D19/83; D20/21, 40,
D20/41

DESCRIPTION

See application file for complete search history.

FIG. 1 is a perspective view of a dental appliance holder
showing my new design;

FIG. 2 is a front elevation thereof;

FIG. 3 is a left side elevation thereof;

FIG. 4 is a rear elevation thereof;

FIG. 5 is a right side elevation thereof;

FIG. 6 is a top plan view thereof; and,

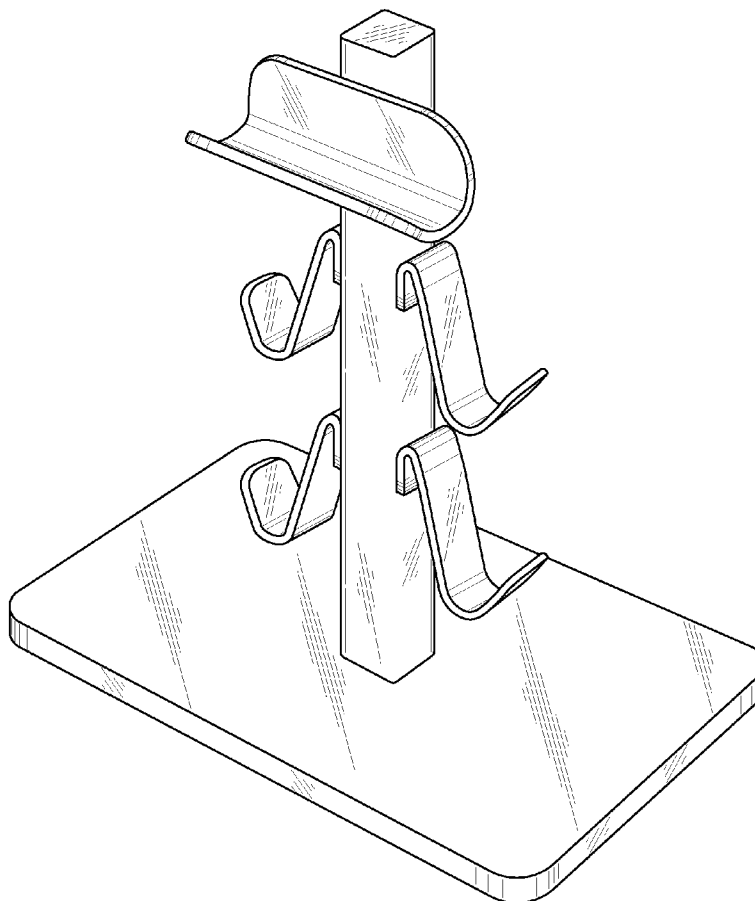
FIG. 7 is a bottom plan view thereof.

(56) **References Cited**

U.S. PATENT DOCUMENTS

D56,476 S	*	10/1920	Reynolds	D6/514
D180,106 S	*	4/1957	Seifert	D6/468
D533,743 S	*	12/2006	Eastman	D6/552
D535,512 S	*	1/2007	Eastman	D6/552
D547,098 S	*	7/2007	Goodman et al.	D6/514

1 Claim, 4 Drawing Sheets



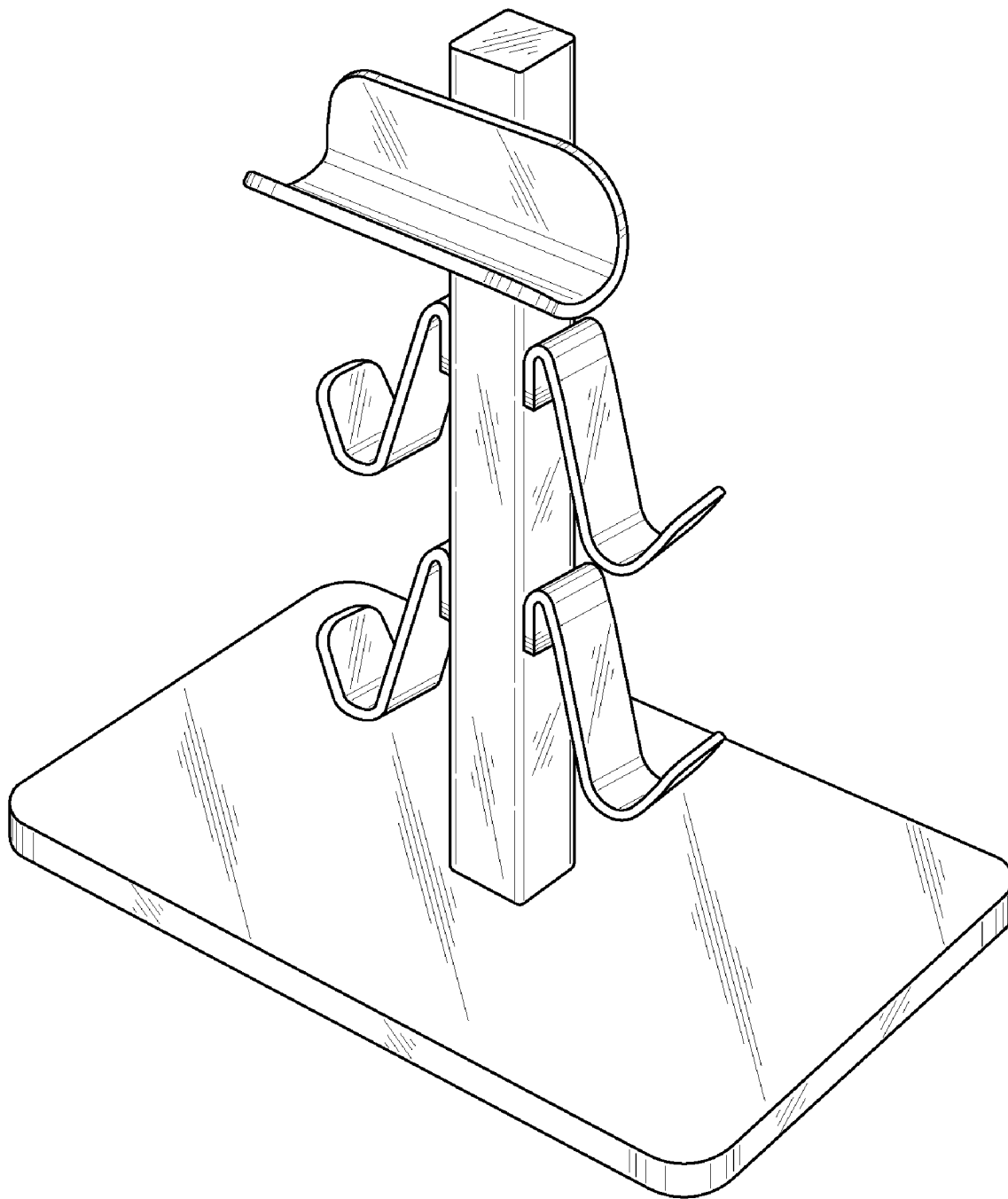


FIG. 1

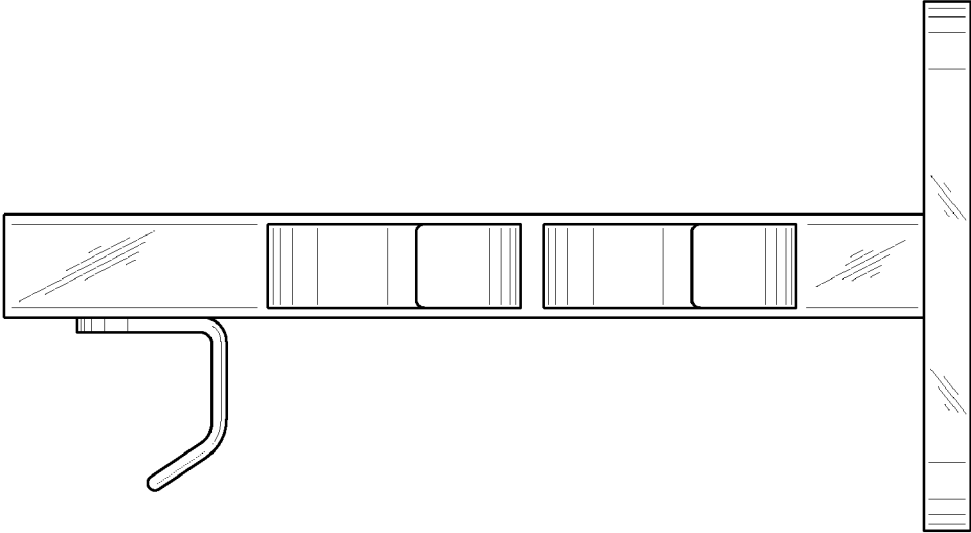


FIG. 3

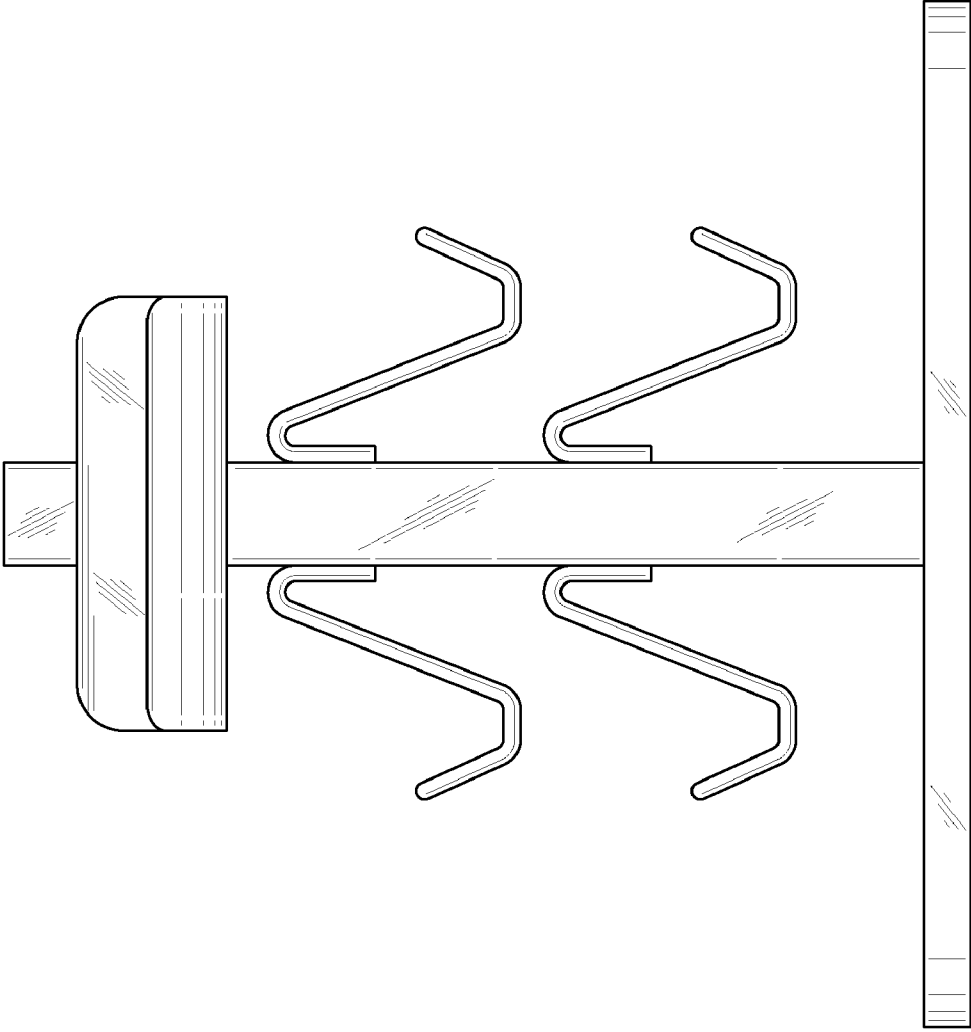


FIG. 2

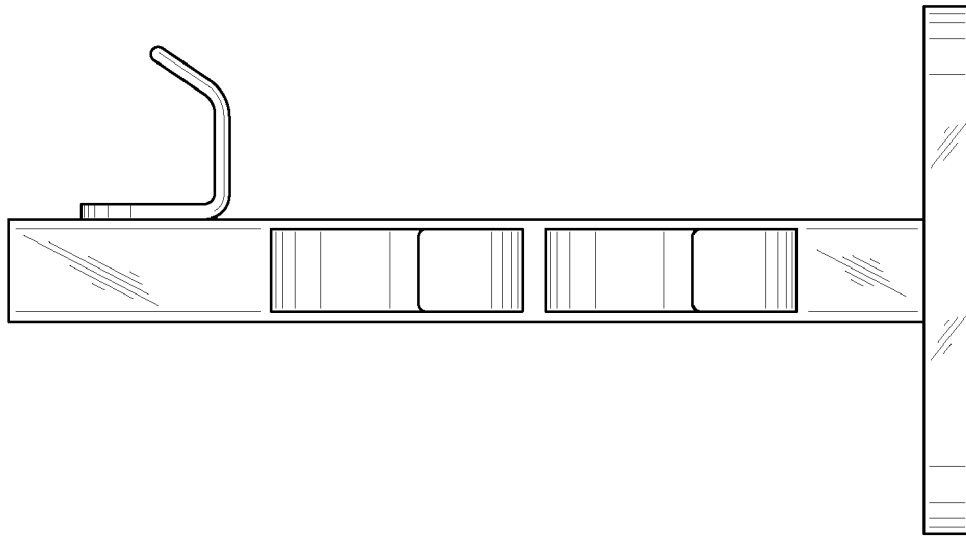


FIG. 5

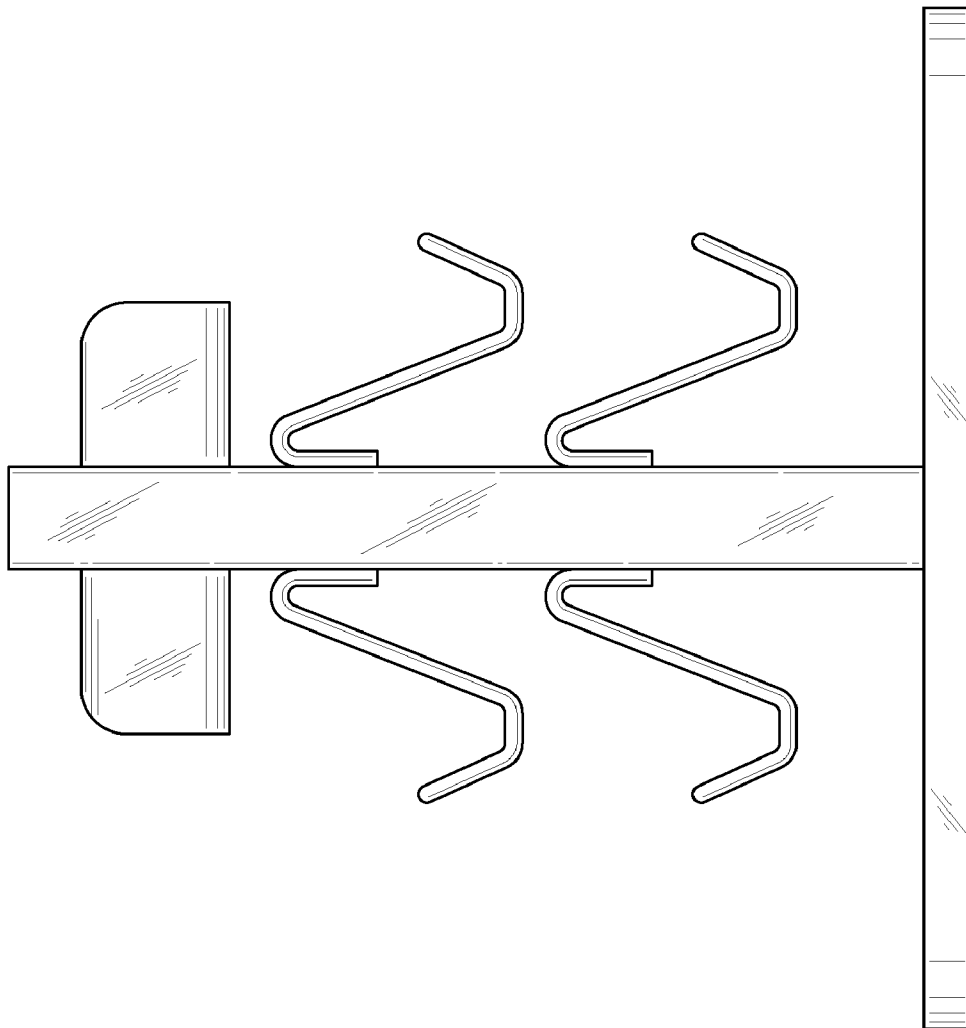


FIG. 4

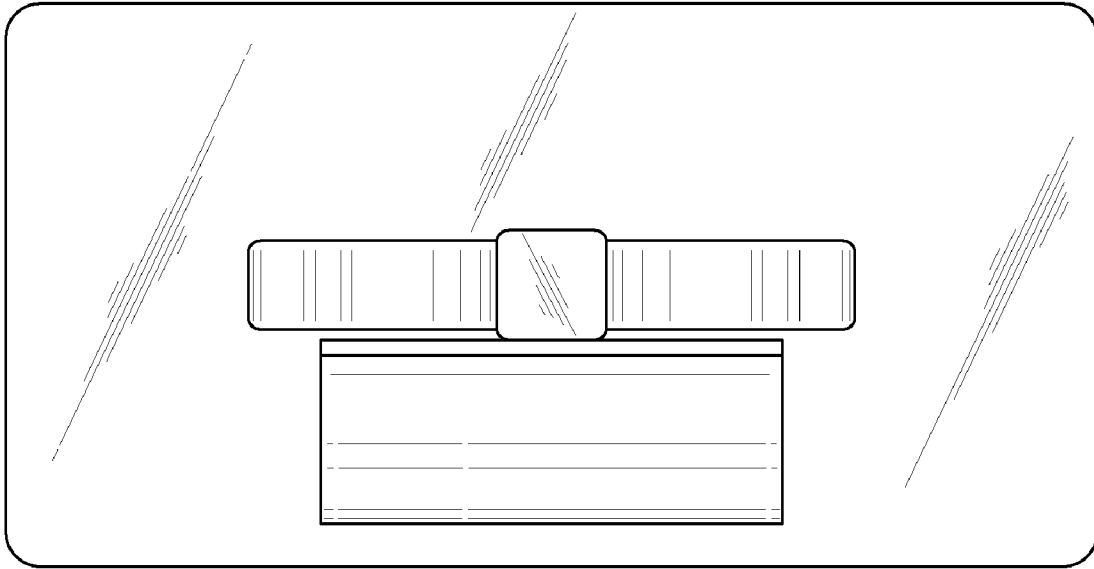


FIG. 6

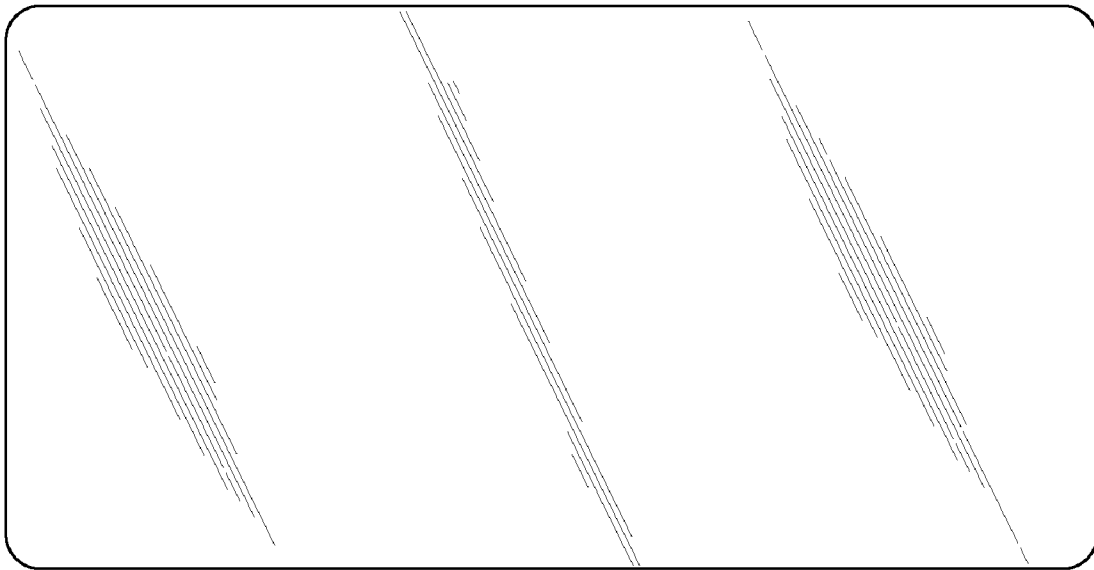


FIG. 7