



US00D534580S

(12) **United States Design Patent**
Korn et al.

(10) **Patent No.:** **US D534,580 S**

(45) **Date of Patent:** **** Jan. 2, 2007**

(54) **INK STICK FOR PHASE CHANGE INK JET PRINTER**

6,893,121 B1 * 5/2005 Jones 347/88

(75) Inventors: **Scott J. Korn**, Portland, OR (US);
Brent R. Jones, Tualatin, OR (US);
Nathan E. Hult, Wilsonville, OR (US);
Timothy L. Crawford, Saint Paul, OR (US)

(73) Assignee: **Xerox Corporation**, Stamford, CT (US)

(**) Term: **14 Years**

(21) Appl. No.: **29/226,584**

(22) Filed: **Mar. 30, 2005**

(51) **LOC (8) Cl.** **18-02**

(52) **U.S. Cl.** **D18/56; 347/88**

(58) **Field of Classification Search** D18/40,
D18/43, 56; 347/88, 99; 106/31.29, 31.61
See application file for complete search history.

(56) **References Cited**

U.S. PATENT DOCUMENTS

D479,368 S * 9/2003 Jones D18/56
6,722,764 B1 * 4/2004 Jones et al. 347/88
D500,783 S * 1/2005 Jones et al. D18/56

OTHER PUBLICATIONS

A list of Tektronix/Xerox Corporation Solid Ink Products sold at least one year prior to Apr. 29, 2002.

* cited by examiner

Primary Examiner—Cathy Anne MacCormac

(74) *Attorney, Agent, or Firm*—Tallam I. Nguti

(57) **CLAIM**

The ornamental design for an ink stick for phase change ink jet printer, as shown and described.

DESCRIPTION

FIG. 1 is a perspective view of an ink stick for phase change ink jet printer illustrating the new design;

FIG. 2 is a front elevational view thereof;

FIG. 3 is a right side elevational view thereof;

FIG. 4 is a rear elevational view thereof;

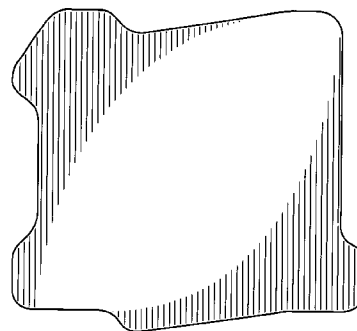
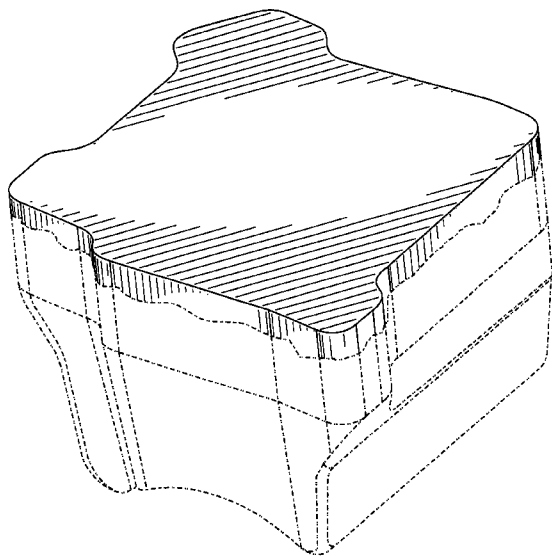
FIG. 5 is a left side elevational view thereof;

FIG. 6 is a top plan view thereof; and,

FIG. 7 is a bottom plan view thereof.

The broken lines are for illustrative purposes only and form no part of the claimed design.

1 Claim, 4 Drawing Sheets



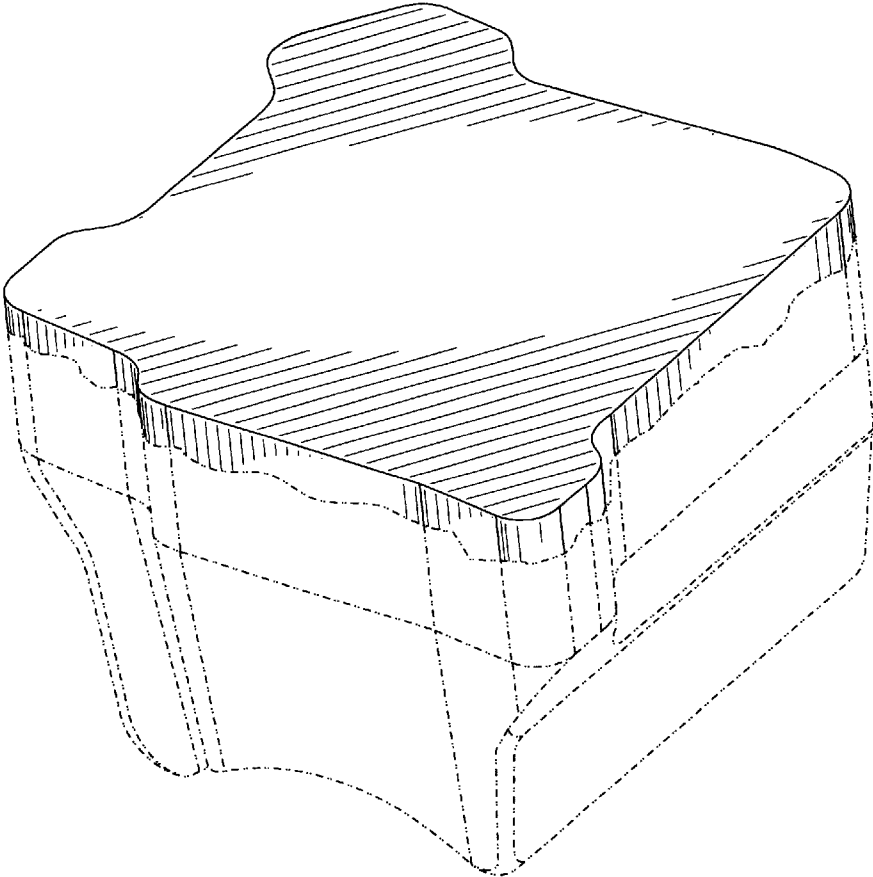


FIG. 1

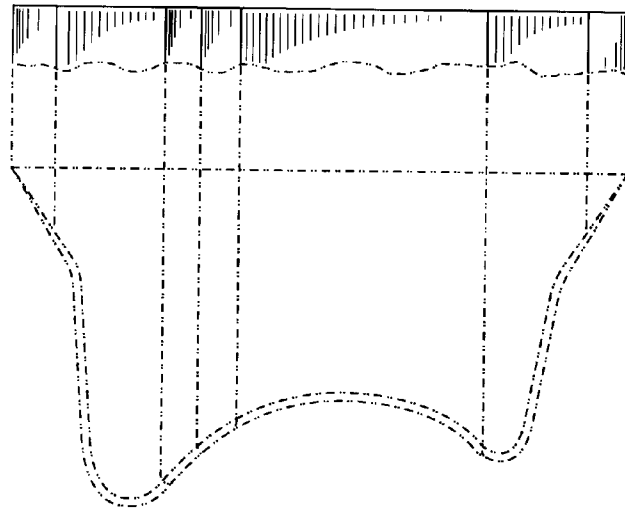


FIG. 2

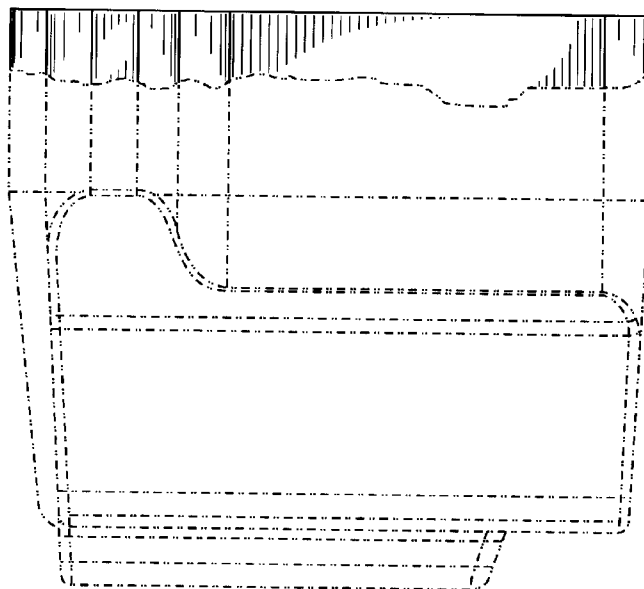


FIG. 3

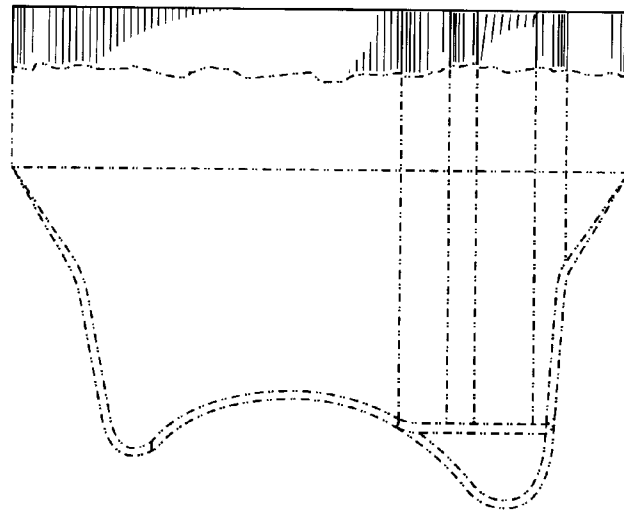


FIG. 4

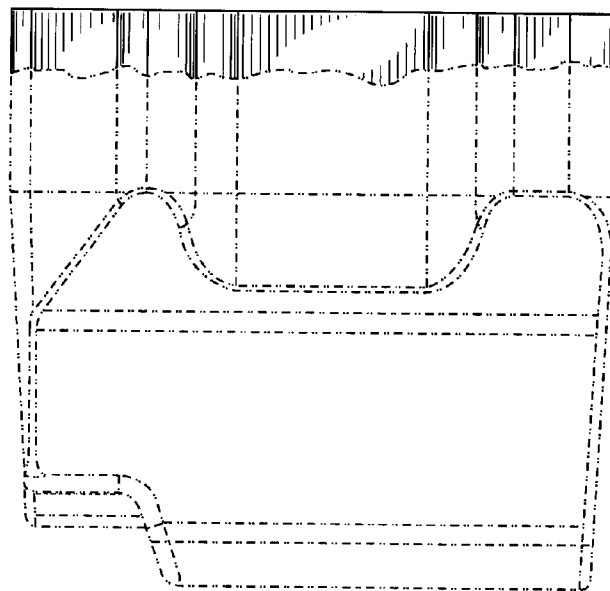


FIG. 5

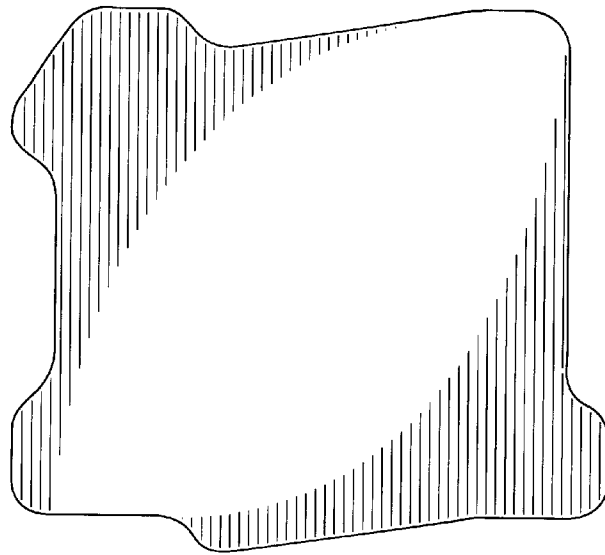


FIG. 6

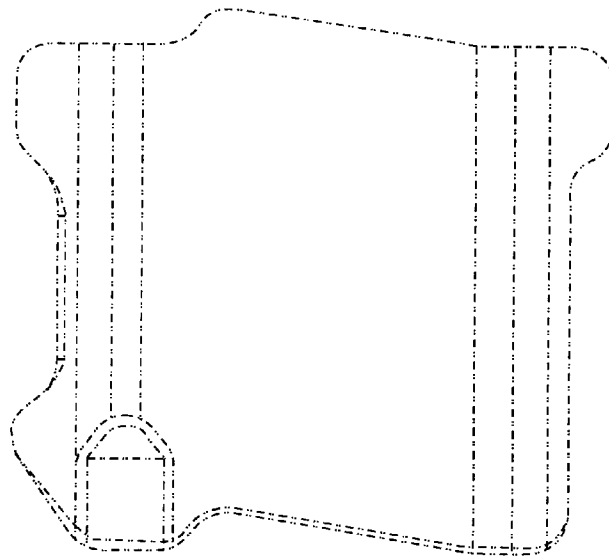


FIG. 7