



US00D334077S

**United States Patent** [19]  
**Dieperink et al.**

[11] **Patent Number: Des. 334,077**  
[45] **Date of Patent: \*\* Mar. 16, 1993**

[54] **LUMINAIRE**

[75] **Inventors:** Menno Dieperink, Amsterdam;  
Stefanus F. W. Joosten, Eindhoven,  
both of Netherlands

[73] **Assignee:** U.S. Philips Corporation, New York,  
N.Y.

[\*\*] **Term:** 14 Years

[21] **Appl. No.:** 509,546

[22] **Filed:** Apr. 13, 1990

[30] **Foreign Application Priority Data**

Oct. 30, 1989 [WO] World Int. Prop. O. ... DM/014.914  
[52] **U.S. Cl.** ..... D26/77  
[58] **Field of Search** ..... D26/72-92;  
362/147, 404, 432, 217, 222, 223, 362

[56]

**References Cited**

**U.S. PATENT DOCUMENTS**

D. 193,575	9/1962	Blitzer .....	D26/76
D. 292,026	9/1987	Krol .....	D26/77
D. 301,278	5/1989	Hughes et al. ....	D26/78
2,647,985	8/1953	Biller .....	D26/74 X
2,963,251	12/1960	Fuss .....	362/404 X

*Primary Examiner*—Susan J. Lucas  
*Attorney, Agent, or Firm*—Jack E. Haken

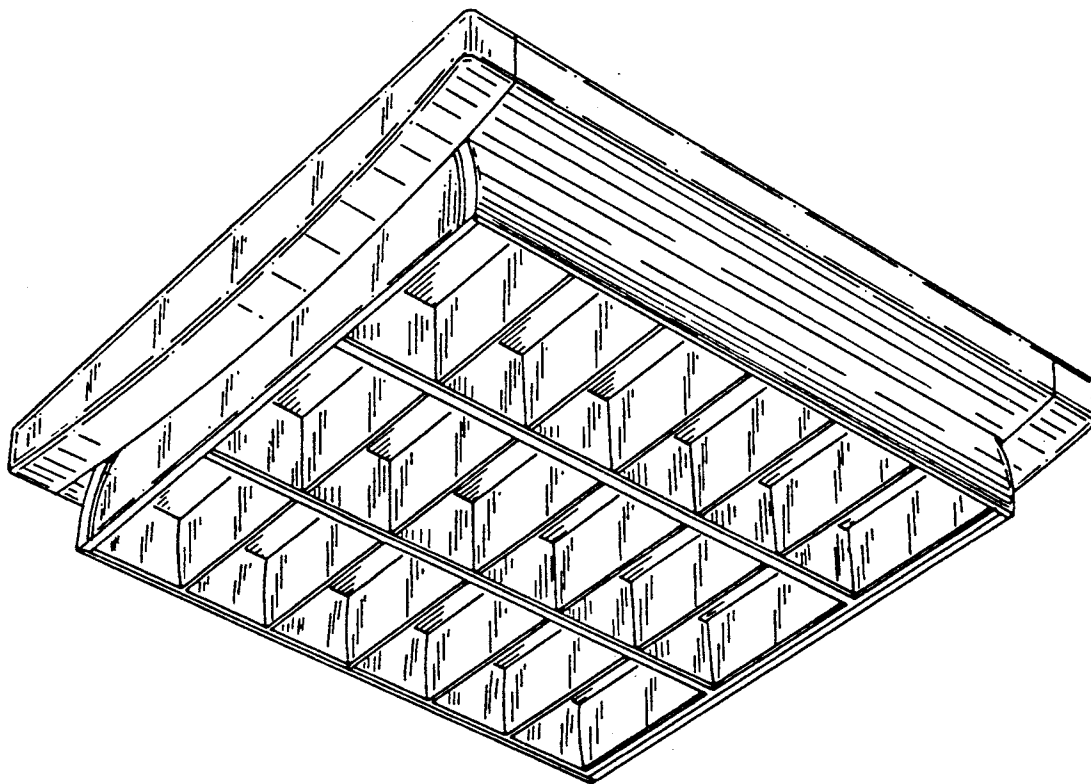
[57]

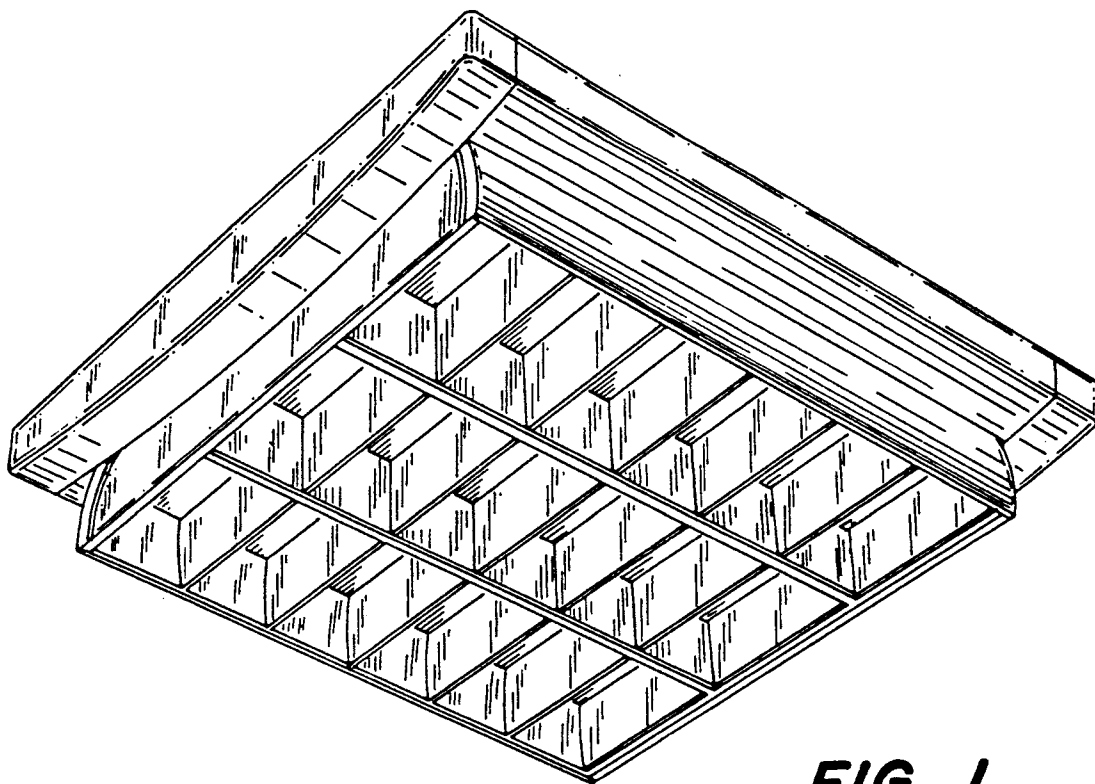
**CLAIM**

The ornamental design for a luminaire, as shown.

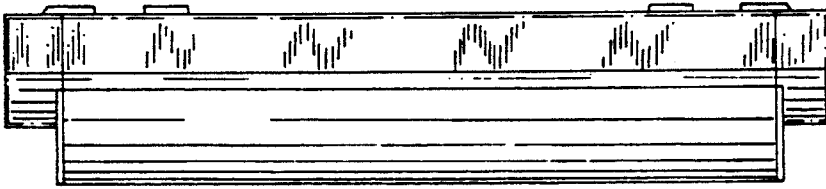
**DESCRIPTION**

FIG. 1 is a bottom perspective view of a luminaire showing our new design;  
FIG. 2 is a front elevational view thereof;  
FIG. 3 is a rear elevational view thereof;  
FIG. 4 is a top plan view thereof;  
FIG. 5 is a bottom plan view thereof;  
FIG. 6 is a left side elevational view thereof; and,  
FIG. 7 is a right side elevational view thereof.

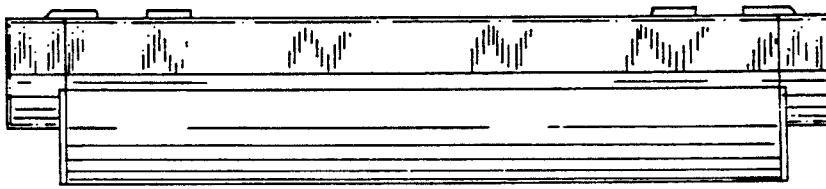




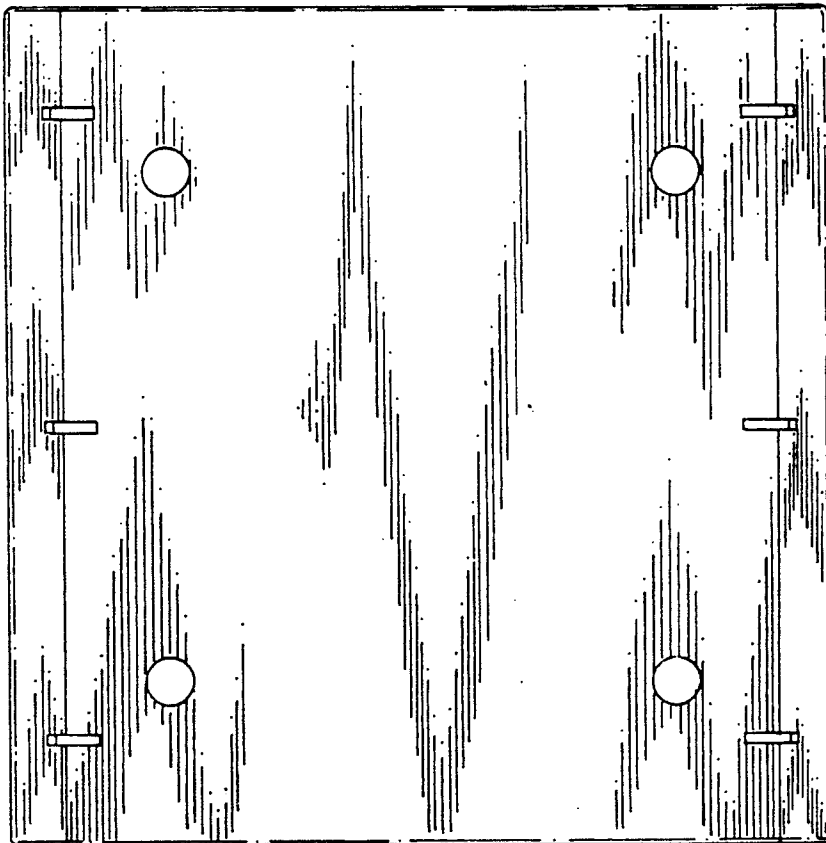
**FIG. 1**



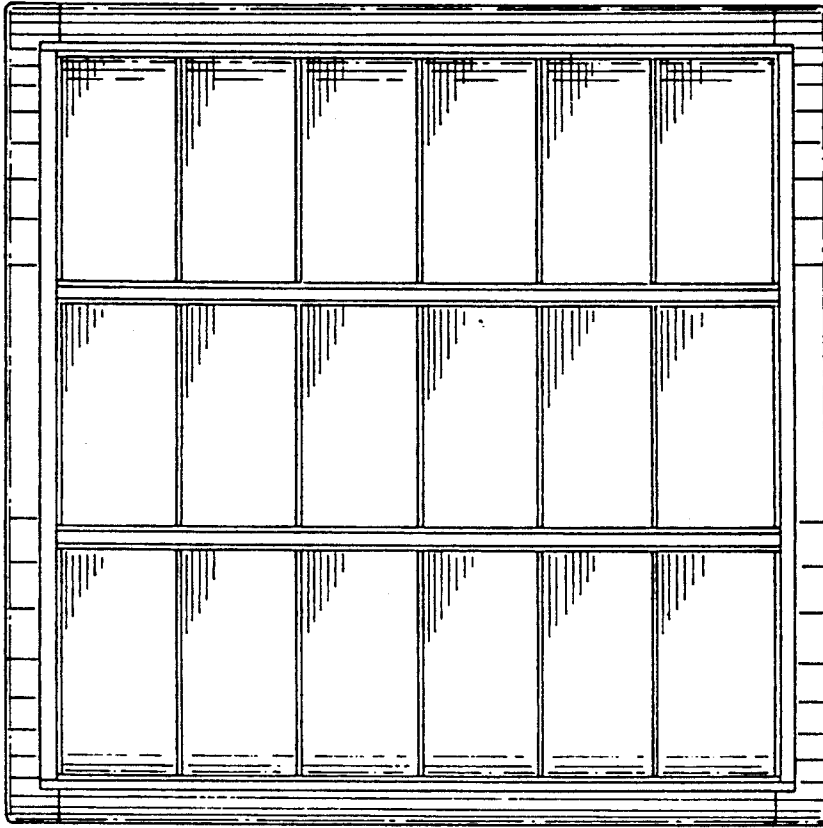
**FIG. 2**



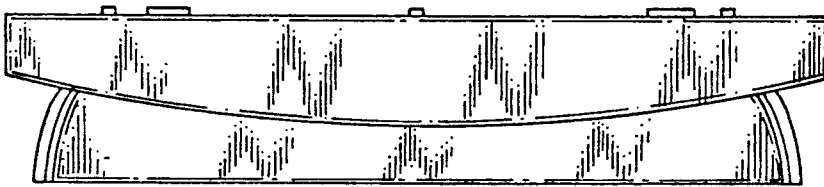
**FIG. 3**



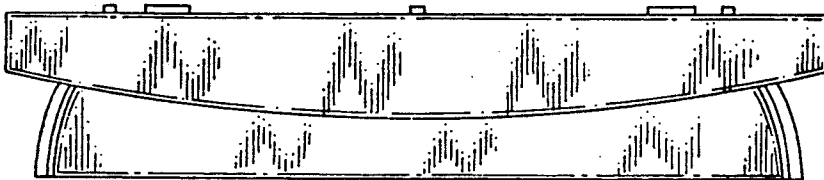
**FIG. 4**



**FIG. 5**



**FIG. 6**



**FIG. 7**