



US00D330103S

# United States Patent [19]

[11] Patent Number: **Des. 330,103**

**Andrews, Jr. et al.**

[45] Date of Patent: **\*\* Oct. 6, 1992**

## [54] REFUSE CONTAINER CART

[75] Inventors: **Howard W. Andrews, Jr.; Jonathan N. Mandell**, both of Winchester, Va.

[73] Assignee: **Rubbermaid Commercial Products Inc.**, Winchester, Va.

[\*\*] Term: **14 Years**

[21] Appl. No.: **658,574**

[22] Filed: **Feb. 21, 1991**

[52] U.S. Cl. .... **D34/20; D34/5; D34/26**

[58] Field of Search ..... **D34/26, 1, 5, 12, 17, D34/20, 21; 248/907, 95, 98; 220/908; 280/655, 47.29, 654, 79.3**

### [56] References Cited

#### U.S. PATENT DOCUMENTS

D. 295,098	4/1988	Delmerico .	
D. 307,208	4/1990	Hemphill .	
1,168,008	1/1916	Kleine .	
2,424,644	7/1947	Barrett .	
2,572,780	10/1951	Tackenberg .	
2,855,210	10/1958	Joyce .	
3,376,986	4/1968	Farber .	
3,399,903	9/1968	Bailey .	
3,845,968	11/1974	Larson .	
4,077,644	3/1978	Roby et al. .	
4,313,612	2/1982	Rubens .	
4,705,247	11/1987	Delmerico .	
4,887,837	12/1989	Bonewicz, Jr. et al. ....	280/654
4,917,401	4/1990	Iwaki .	
5,106,112	4/1992	Sargent .....	280/655

## OTHER PUBLICATIONS

Catalog Page, Gott Corporation, P.O. Box 652, Winfield, Kan. 67156, Publication date 1986. Pages 21 and 29, Rubermaid Commercial Products Inc., 3124 Valley Avenue, Winchester, Va. 22601, Publication date 1988.

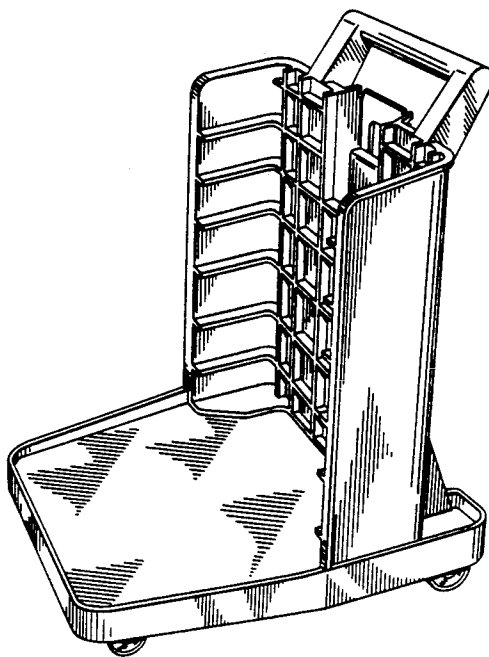
*Primary Examiner*—Kay H. Chin  
*Attorney, Agent, or Firm*—Richard B. O'Planick

## [57] CLAIM

The ornamental design for a refuse container cart, as shown and described.

## DESCRIPTION

FIG. 1 is a top, front and right side perspective view of a refuse container cart showing our new design; FIG. 2 is a front elevational view thereof; FIG. 3 is a rear elevational view thereof; FIG. 4 is a top plan view thereof; FIG. 5 is a bottom plan view thereof; FIG. 6 is a left side elevational view thereof; the right side elevational view being a mirror image; FIG. 7 is a top, front and right side perspective view of a second embodiment of the refuse container cart, the top, front and left side perspective view being a mirror image of that shown; FIG. 8 is a rear elevational view of FIG. 7; FIG. 9 is a top, front and right side perspective view of a third embodiment of the refuse container cart, the top, front and left side perspective view being a mirror image of that shown; and, FIG. 10 is a front elevational view of FIG. 9. The undisclosed rear elevational view of FIG. 9 being the same as the first embodiment shown in FIG. 3, and the bottom view of FIGS. 7 and 9 being the same as the FIG. 5.



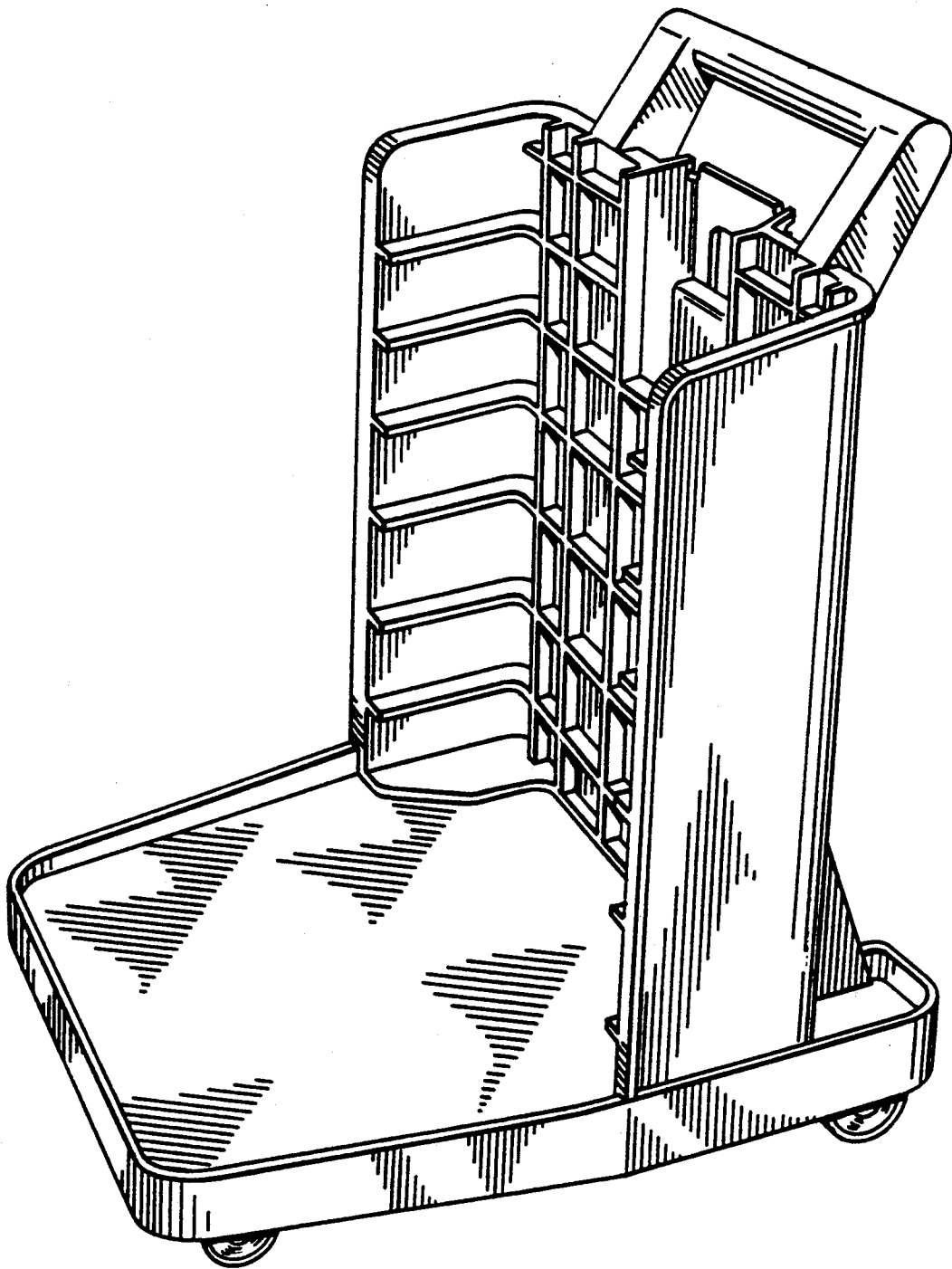


FIG. 1

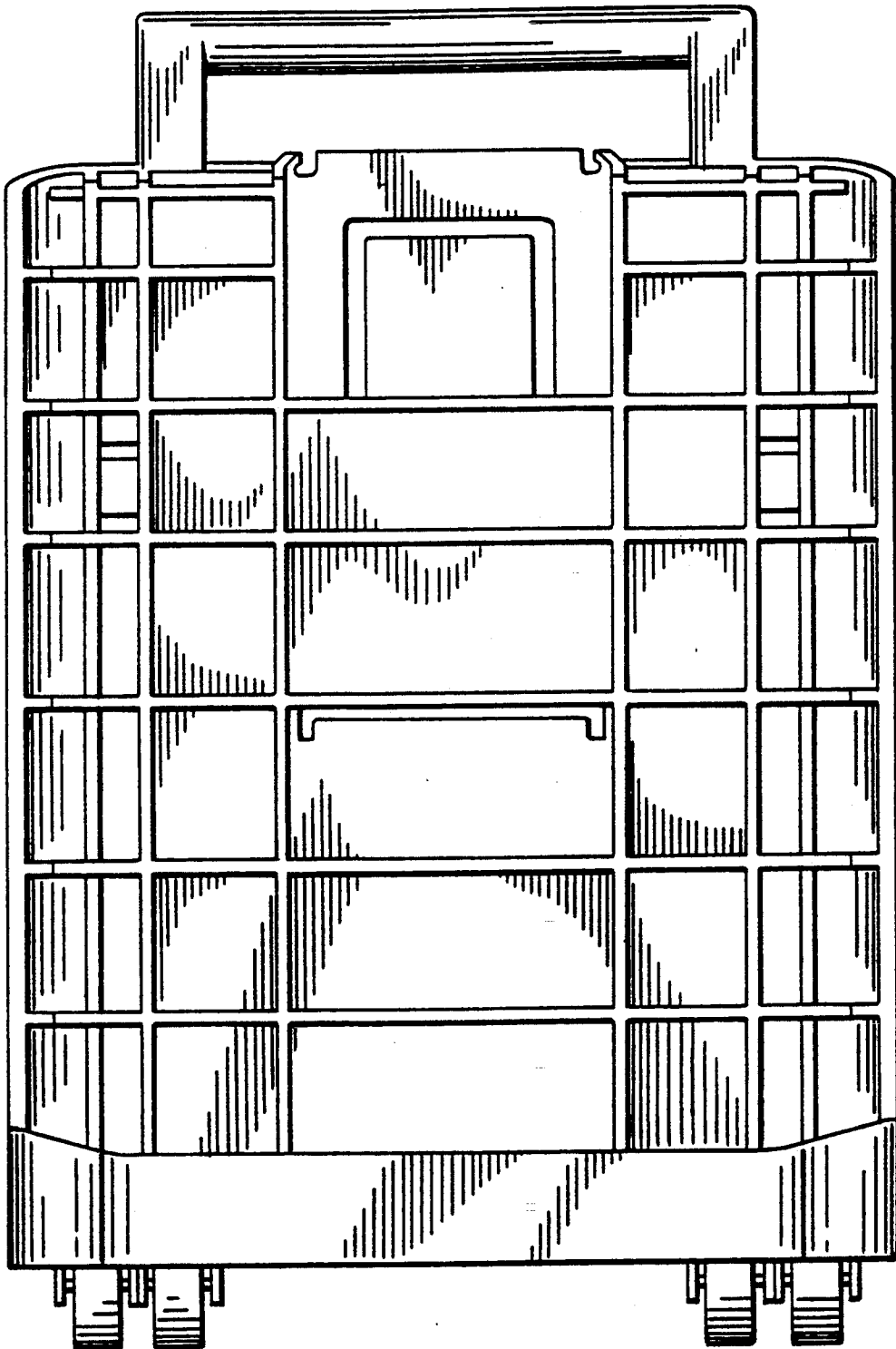


FIG. 2

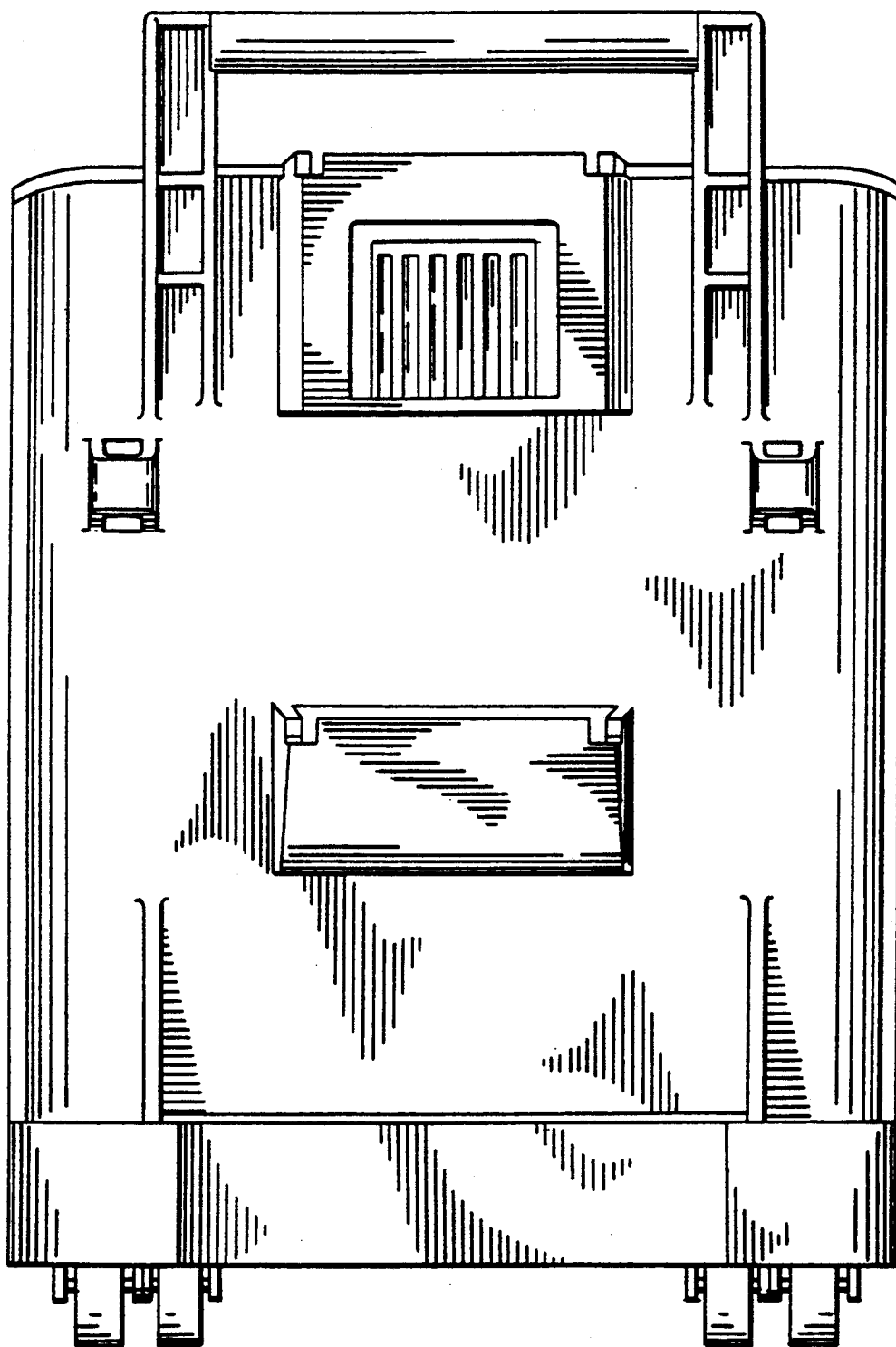


FIG. 3

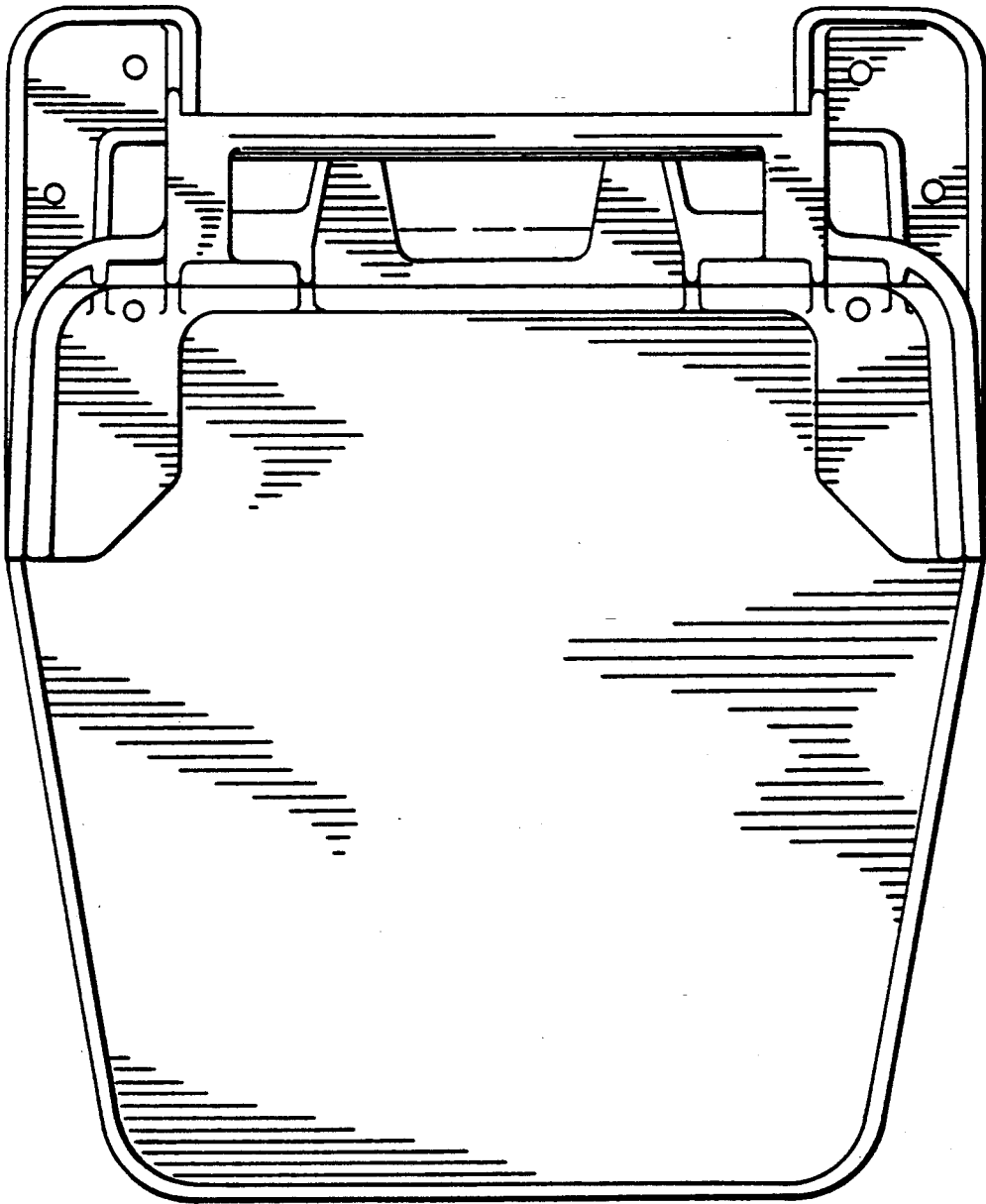


FIG. 4

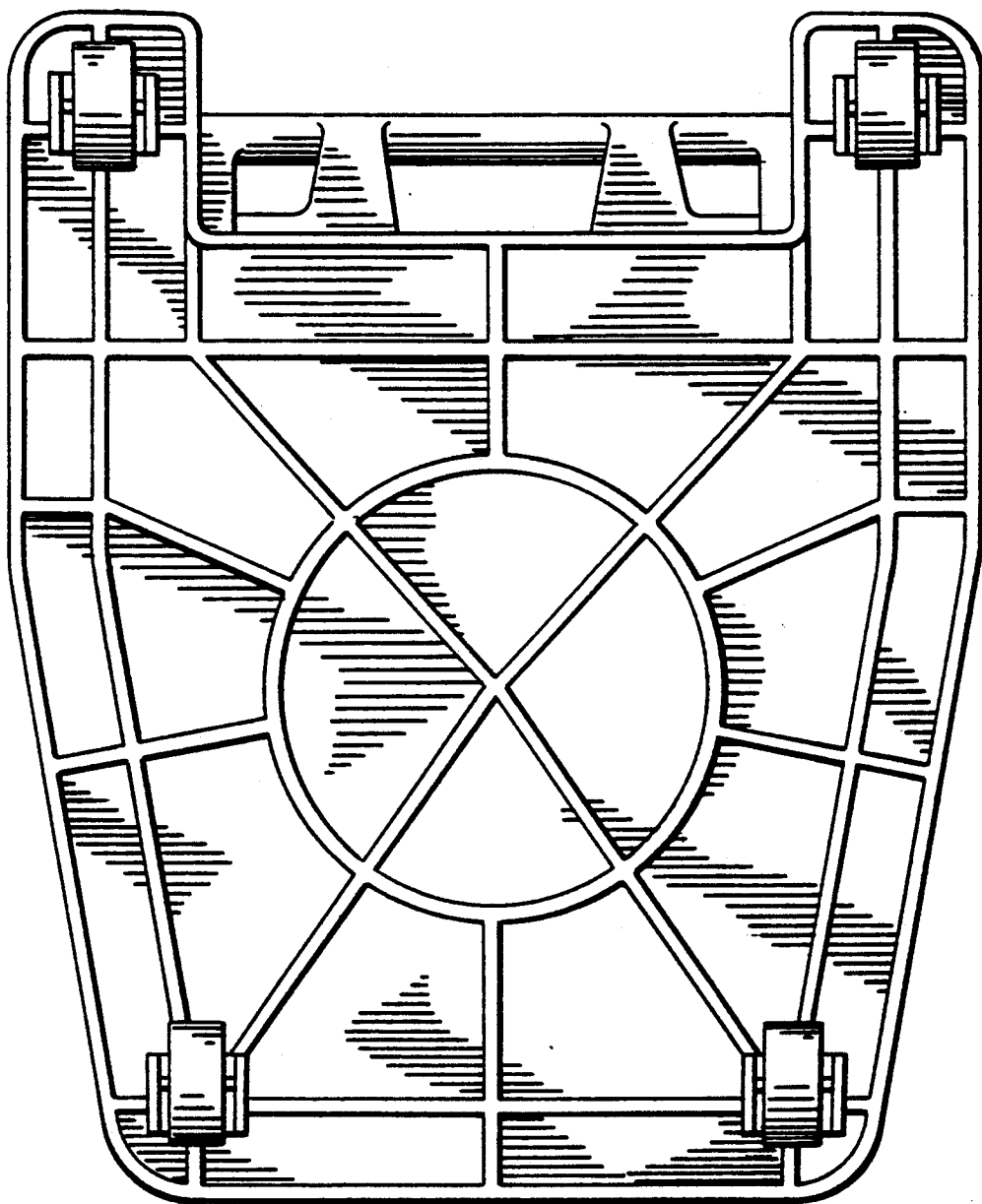


FIG. 5

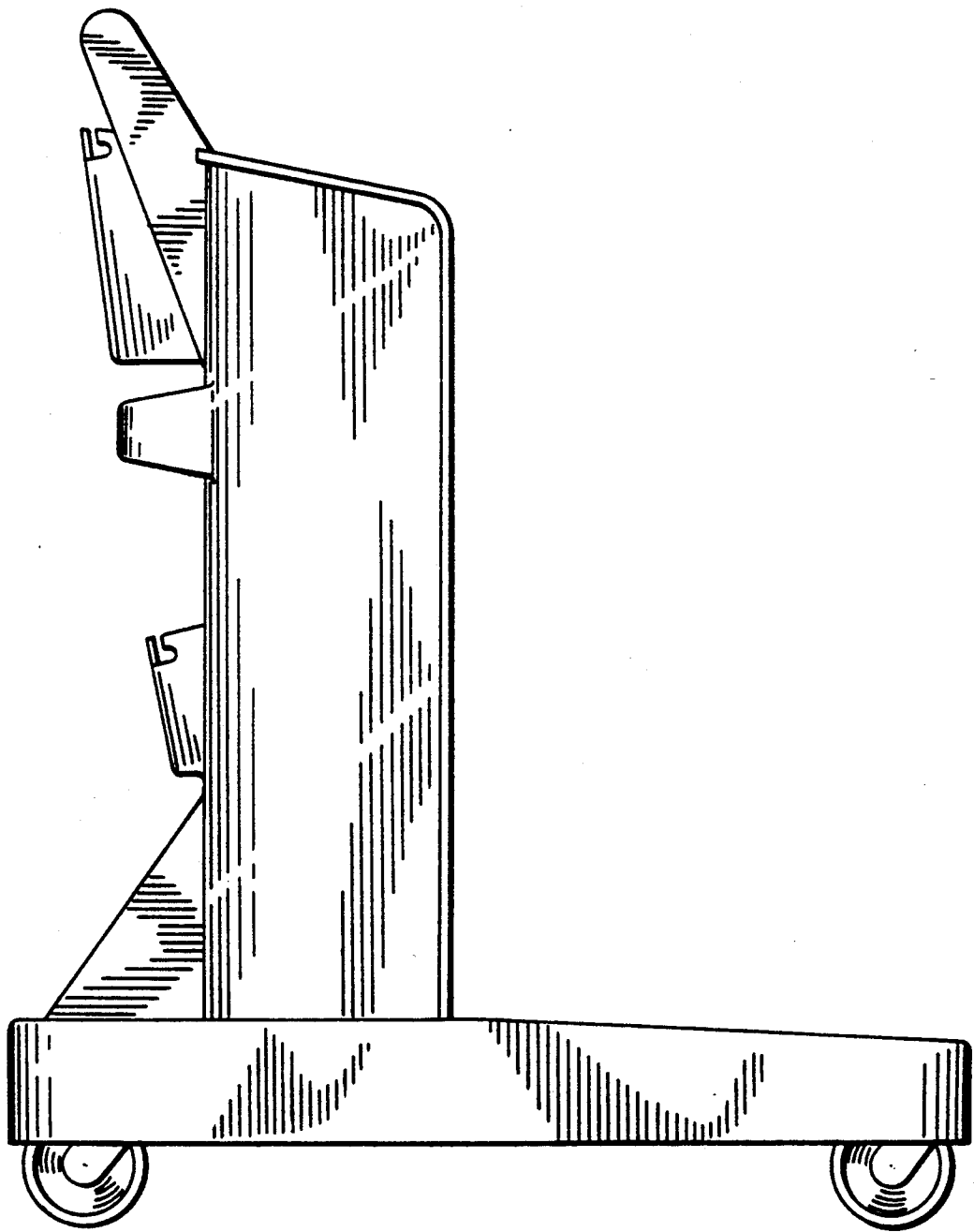


FIG. 6

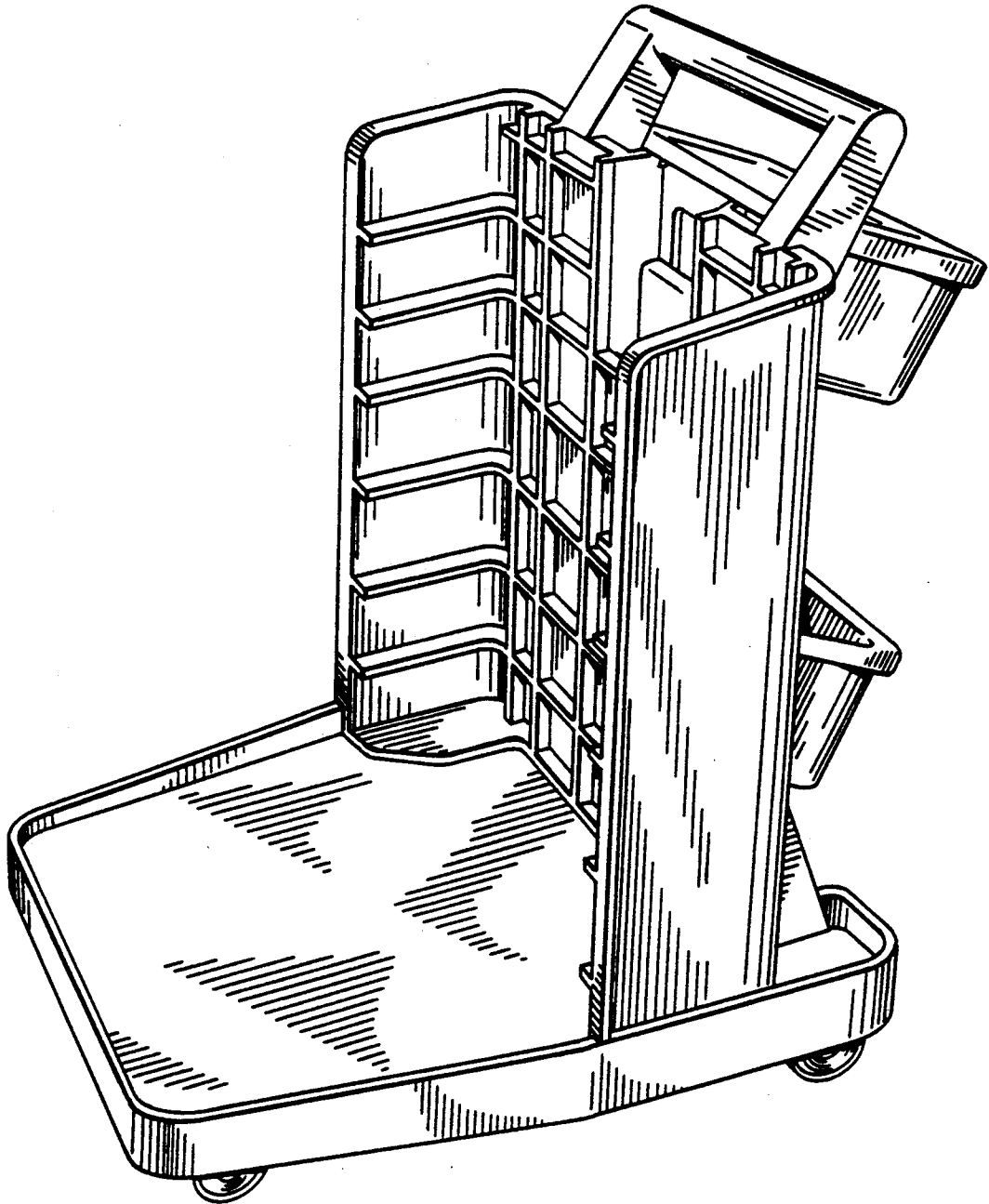


FIG. 7



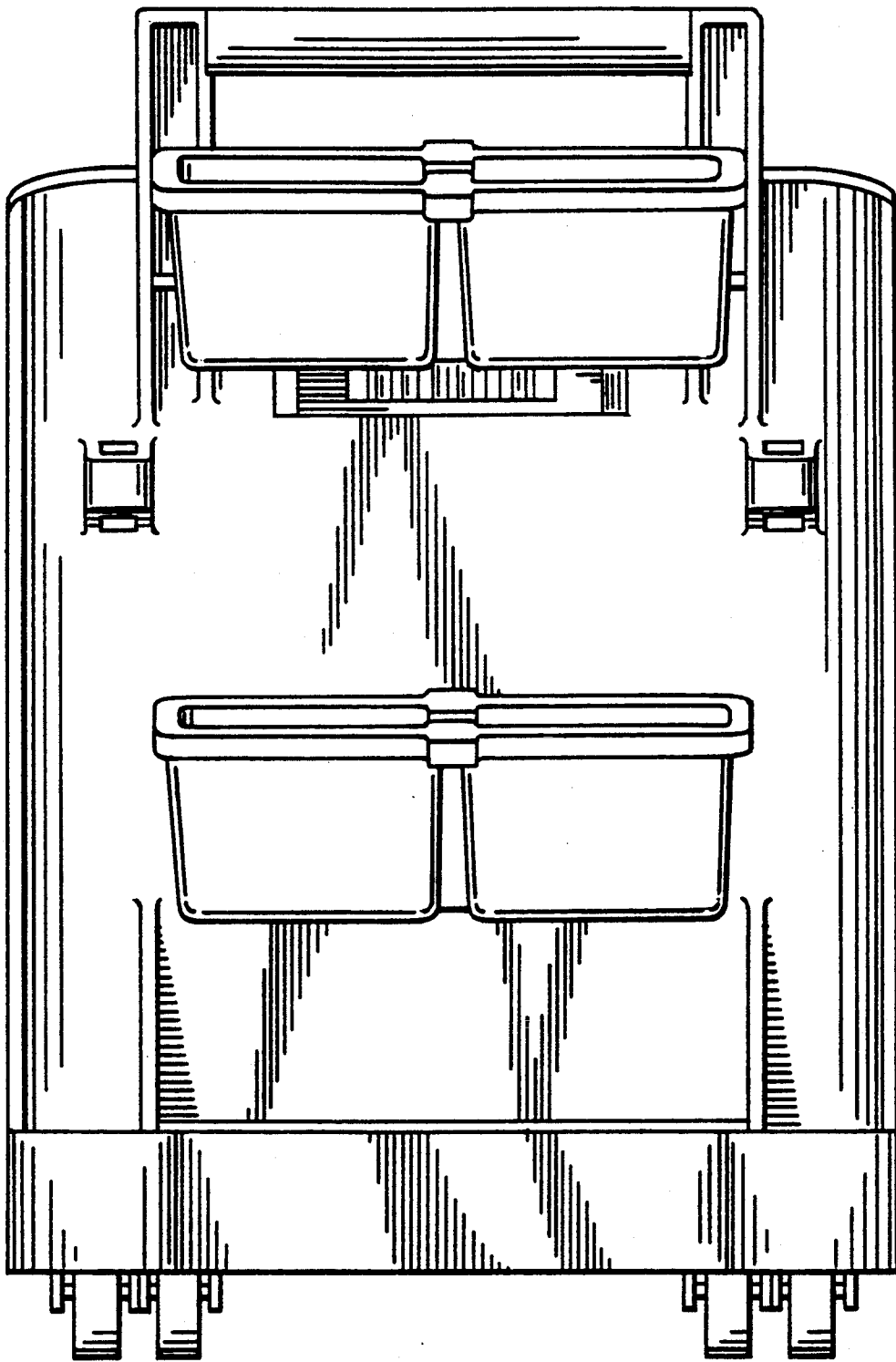


FIG. 8

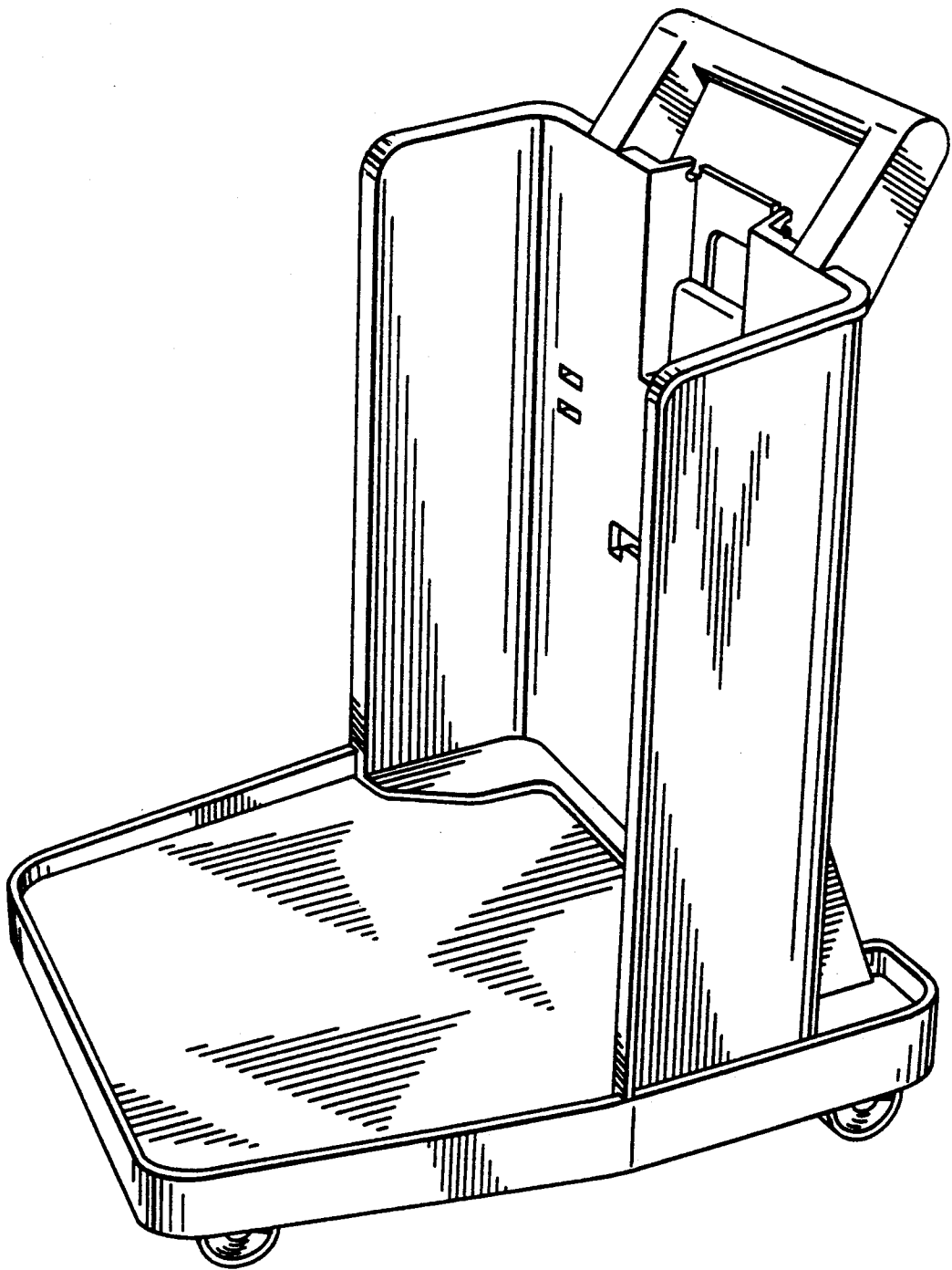
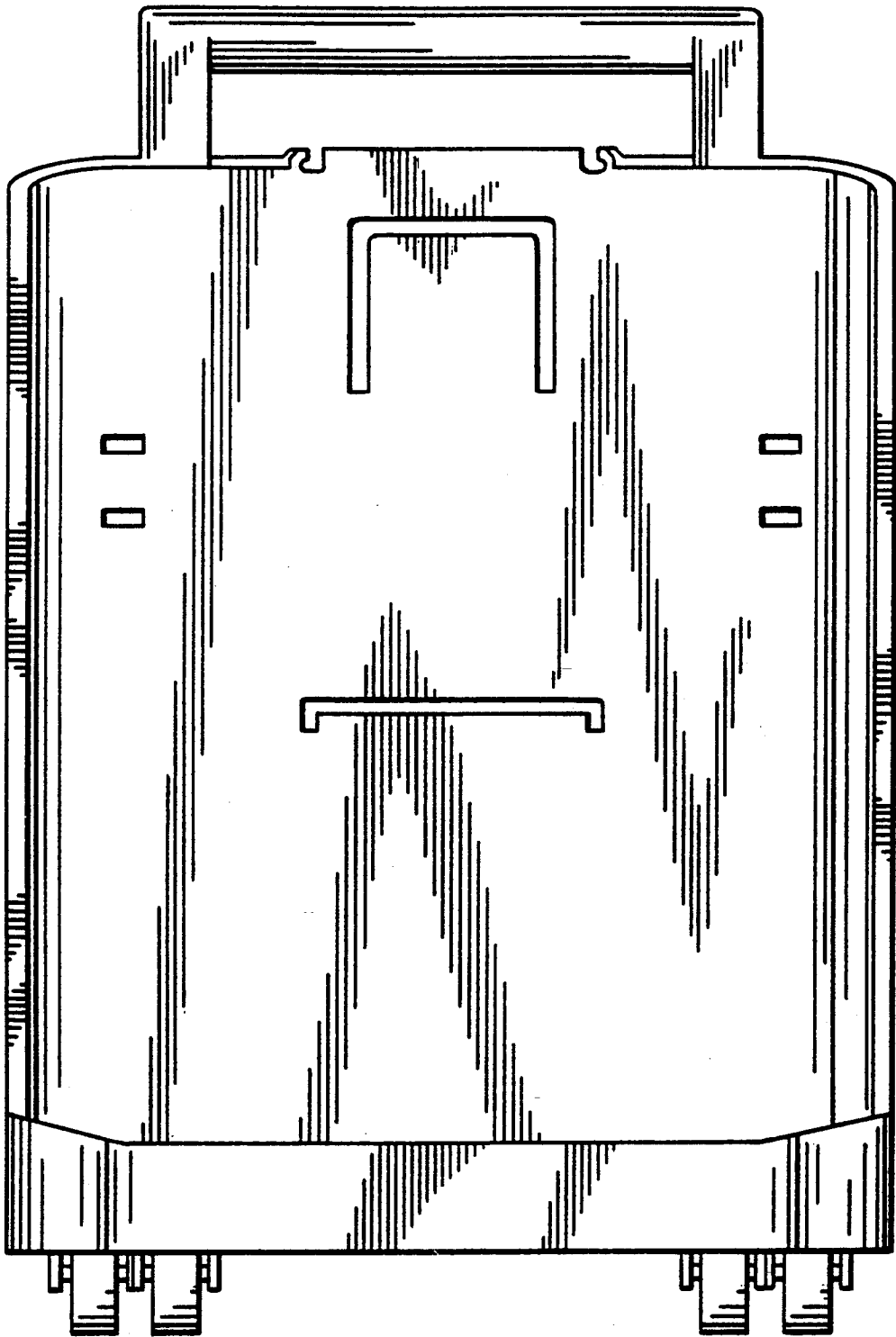


FIG. 9



**FIG. 10**