



US00D729908S

(12) **United States Design Patent**  
**Lohmann**

(10) **Patent No.:** **US D729,908 S**

(45) **Date of Patent:** **\*\* May 19, 2015**

(54) **EMERGENCY DRAIN**

(71) Applicant: **BLUCHER METAL A/S**, Vildbjerg (DK)

(72) Inventor: **Hans Lohmann**, Soro (DK)

(73) Assignee: **Blucher Metal A/S**, Vildbjerg (DK)

(\*\*) Term: **14 Years**

(21) Appl. No.: **29/432,754**

(22) Filed: **Sep. 20, 2012**

(30) **Foreign Application Priority Data**

Mar. 21, 2012 (EM) ..... 002012435-0001  
Mar. 21, 2012 (EM) ..... 002012435-0002

(51) **LOC (10) Cl.** ..... **23-01**

(52) **U.S. Cl.**  
USPC ..... **D23/261**

(58) **Field of Classification Search**  
USPC ..... D23/259, 260, 261, 262, 263, 264, 265;  
D15/150, 151, 152; D24/129; 166/386,  
166/387; 210/248; D9/439, 447; 242/160.1  
See application file for complete search history.

(56) **References Cited**

**U.S. PATENT DOCUMENTS**

D258,379 S \* 2/1981 Joseph ..... D23/259  
5,560,163 A \* 10/1996 Carlton ..... 52/169.5  
D375,786 S \* 11/1996 Morris ..... D23/260  
D453,815 S \* 2/2002 Hoenig ..... D23/259  
D455,819 S \* 4/2002 Hoenig ..... D23/259  
D596,487 S \* 7/2009 Batton et al. .... D9/447  
D629,874 S \* 12/2010 Hermans ..... D23/260  
D682,690 S \* 5/2013 Bowes ..... D9/439  
D688,283 S \* 8/2013 Choi ..... D15/152

D693,923 S \* 11/2013 Hernandez et al. .... D24/129  
D700,299 S \* 2/2014 Mjelde ..... D23/261  
D701,293 S \* 3/2014 Mjelde ..... D23/261  
2007/0102450 A1 \* 5/2007 Stiers ..... 222/181.1  
2010/0000930 A1 \* 1/2010 Ahuja et al. .... 210/248  
2011/0114778 A1 \* 5/2011 Andersson ..... 242/160.1  
2013/0048312 A1 \* 2/2013 Walls ..... 166/386

**OTHER PUBLICATIONS**

Emergency Drain Stand Pipe, Products, Blucher.com, Searched Aug. 28, 2014, <http://www.blucher.com/product-view/ean/5705499132991/>.\*

Emergency Drain Stand Pipe Type, Roof Drain Systems, Blucher Online Catalogue, Searched Aug. 28, 2014, Bro[http://www.blucher.com/fileadmin/user\\_upload/.com/Product\\_catalogs/CURoofCatalogue.pdf](http://www.blucher.com/fileadmin/user_upload/.com/Product_catalogs/CURoofCatalogue.pdf).\*

Emergency Drain Stand Pipe, Pipe Fittings & Flanges, hellotrade.com, Searched Aug. 28, 2014, [http://www.blucher.com/fileadmin/user\\_upload/.com/Product\\_catalogs/CURoofCatalogue.pdf](http://www.blucher.com/fileadmin/user_upload/.com/Product_catalogs/CURoofCatalogue.pdf).\*

\* cited by examiner

*Primary Examiner* — Eric Goodman

*Assistant Examiner* — Steven Czyn

(74) *Attorney, Agent, or Firm* — Sheridan Ross P.C.

(57) **CLAIM**

The ornamental design for an emergency drain, as shown and described.

**DESCRIPTION**

FIG. 1 is a perspective view of an emergency drain showing my new design in a first embodiment:

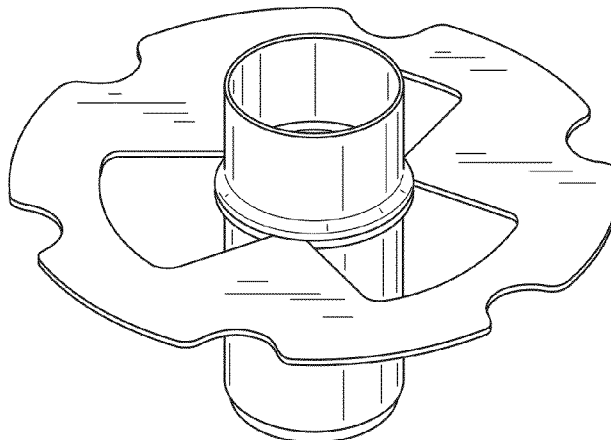
FIG. 2 is a front elevation view of FIG. 1, a rear elevation view being a mirror image;

FIG. 3 is a top plan view of FIG. 1;

FIG. 4 is a left side view of FIG. 1, a right side view being a mirror image; and,

FIG. 5 is a bottom plan view of FIG. 1.

**1 Claim, 3 Drawing Sheets**



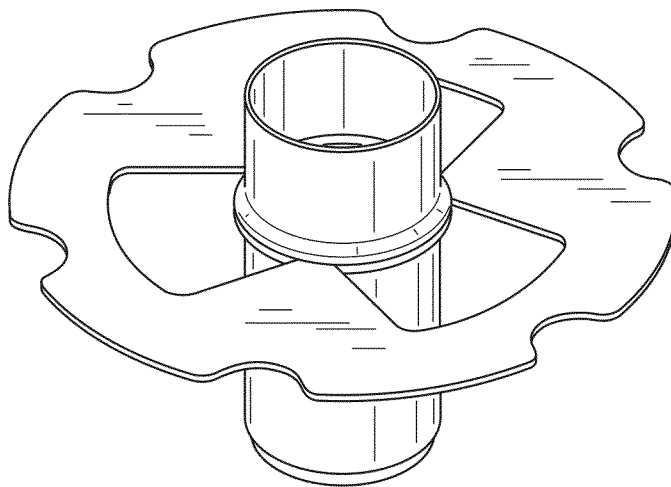


FIG. 1

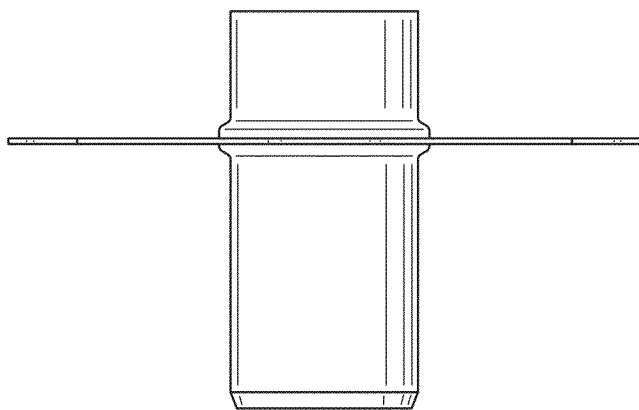


FIG. 2

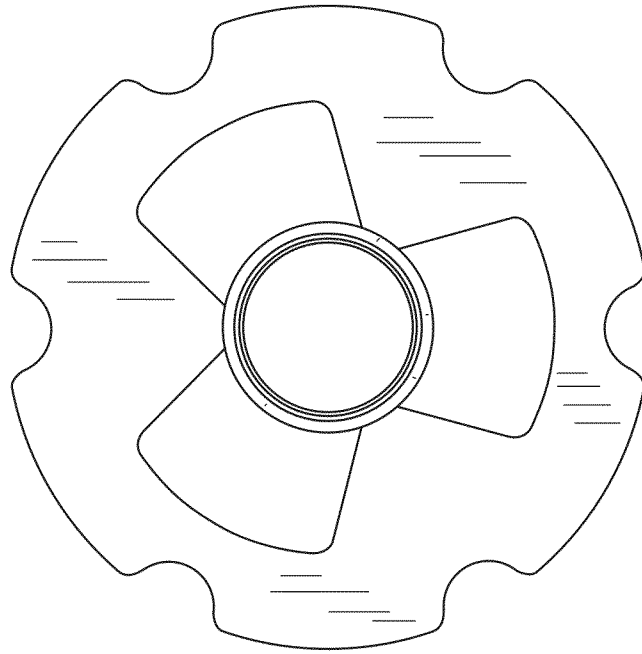


FIG.3

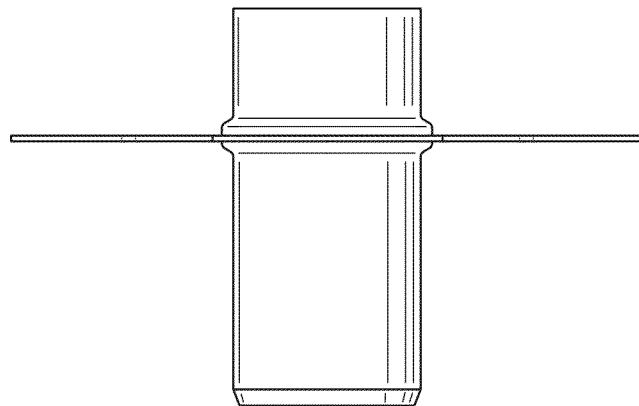


FIG.4

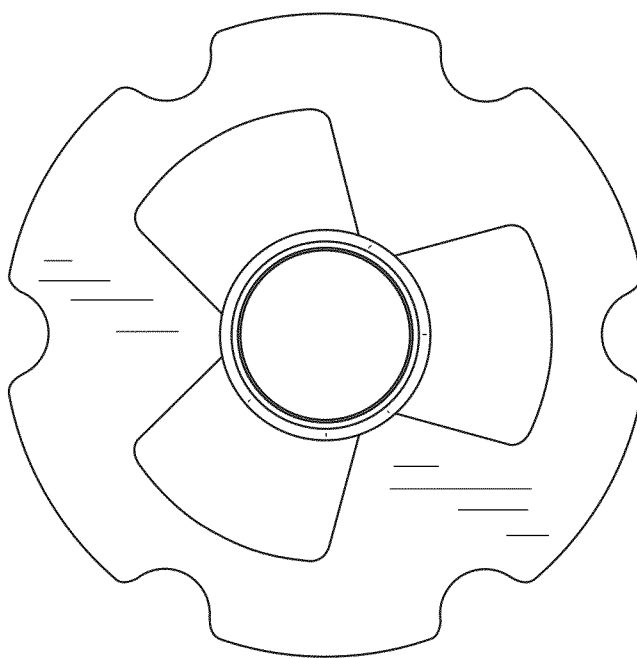


FIG.5