



(51) International Patent Classification:

F25D 23/06 (2006.01) F25D 19/00 (2006.01)
F25D 23/00 (2006.01) F16L 59/065 (2006.01)
F25D 23/08 (2006.01)

(21) International Application Number:

PCT/KR2019/007763

(22) International Filing Date:

26 June 2019 (26.06.2019)

(25) Filing Language:

English

(26) Publication Language:

English

(30) Priority Data:

10-2018-0074280 27 June 2018 (27.06.2018) KR

(71) Applicant: **LG ELECTRONICS INC.** [KR/KR]; 128,
Yeoui-daero, Yeongdeungpo-gu, Seoul 07336 (KR).

(72) Inventors: **JUNG, Wonyeong**; IP Center, LG Electronics
Inc., 51, Gasan digital 1-ro, Geumcheon-gu, Seoul 08592
(KR). **YOUN, Deokhyun**; IP Center, LG Electronics Inc.,
51, Gasan digital 1-ro, Geumcheon-gu, Seoul 08592 (KR).
LEE, Jangseok; IP Center, LG Electronics Inc., 51, Gasan
digital 1-ro, Geumcheon-gu, Seoul 08592 (KR).

(74) Agent: **HAW, Yong Noke**; 6th Fl., HyunJuk Bldg., 114
Yeoksam-ro, Gangnam-gu, Seoul 06252 (KR).

(81) Designated States (unless otherwise indicated, for every
kind of national protection available): AE, AG, AL, AM,
AO, AT, AU, AZ, BA, BB, BG, BH, BN, BR, BW, BY, BZ,
CA, CH, CL, CN, CO, CR, CU, CZ, DE, DJ, DK, DM, DO,
DZ, EC, EE, EG, ES, FI, GB, GD, GE, GH, GM, GT, HN,
HR, HU, ID, IL, IN, IR, IS, JO, JP, KE, KG, KH, KN, KP,
KW, KZ, LA, LC, LK, LR, LS, LU, LY, MA, MD, ME, MG,
MK, MN, MW, MX, MY, MZ, NA, NG, NI, NO, NZ, OM,
PA, PE, PG, PH, PL, PT, QA, RO, RS, RU, RW, SA, SC,

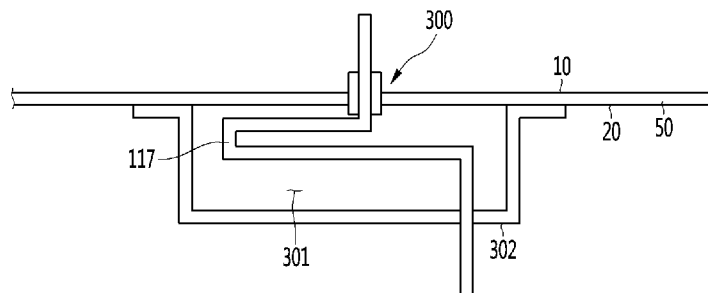
SD, SE, SG, SK, SL, SM, ST, SV, SY, TH, TJ, TM, TN, TR,
TT, TZ, UA, UG, US, UZ, VC, VN, ZA, ZM, ZW.

(84) Designated States (unless otherwise indicated, for every
kind of regional protection available): ARIPO (BW, GH,
GM, KE, LR, LS, MW, MZ, NA, RW, SD, SL, ST, SZ, TZ,
UG, ZM, ZW), Eurasian (AM, AZ, BY, KG, KZ, RU, TJ,
TM), European (AL, AT, BE, BG, CH, CY, CZ, DE, DK,
EE, ES, FI, FR, GB, GR, HR, HU, IE, IS, IT, LT, LU, LV,
MC, MK, MT, NL, NO, PL, PT, RO, RS, SE, SI, SK, SM,
TR), OAPI (BF, BJ, CF, CG, CI, CM, GA, GN, GQ, GW,
KM, ML, MR, NE, SN, TD, TG).

Published:

— with international search report (Art. 21(3))

(54) Title: VACUUM ADIABATIC BODY AND REFRIGERATOR



(57) Abstract: A provided is a vacuum adiabatic body. The vacuum adiabatic body includes a heat exchange pipeline including at least two pipelines which pass through a first plate member and a second plate member to allow a refrigerant to move between inner and outer spaces; and a through sealing part which allows the heat exchange pipeline to pass through a first point of the first plate member and a second point of the second plate member, which is adjacent to the first point, without contacting a third space.



Description

Title of Invention: VACUUM ADIABATIC BODY AND REFRIGERATOR

Technical Field

- [1] The present disclosure relates to a vacuum adiabatic body and a refrigerator.

Background Art

- [2] A vacuum adiabatic body is a product for suppressing heat transfer by vacuumizing the interior of a body thereof. The vacuum adiabatic body may reduce heat transfer by convection and conduction, and hence is applied to heating apparatuses and refrigerating apparatuses. In a typical adiabatic method applied to a refrigerator, although it is differently applied in refrigeration and freezing, a foam urethane adiabatic wall having a thickness of about 30 cm or more is generally provided. However, the internal volume of the refrigerator is therefore reduced.
- [3] In order to increase the internal volume of a refrigerator, there is an attempt to apply a vacuum adiabatic body to the refrigerator.
- [4] First, Korean Patent No. 10-0343719 (Cited Document 1) of the present applicant has been disclosed. According to Reference Document 1, there is disclosed a method in which a vacuum adiabatic panel is prepared and then built in walls of a refrigerator, and the exterior of the vacuum adiabatic panel is finished with a separate molding as Styrofoam. According to the method, additional foaming is not required, and the adiabatic performance of the refrigerator is improved. However, fabrication cost is increased, and a fabrication method is complicated. As another example, a technique of providing walls using a vacuum adiabatic material and additionally providing adiabatic walls using a foam filling material has been disclosed in Korean Patent Publication No. 10-2015-0012712 (Cited Document 2). According to Reference Document 2, fabrication cost is increased, and a fabrication method is complicated.
- [5] To solve this problem, the present applicant had filed Korean Patent Application NO. 10-2013-0049495 (Cited Document 3). This technique provides a vacuum adiabatic body in an empty vacuum state without providing a separate adiabatic material therein. In addition, this technique provides a technique in which a heat exchange pipeline is disposed in the vacuum adiabatic body. The heat exchange pipeline is a pipeline in which two pipelines, i.e., an inlet pipe of an evaporator and an outlet pipe of the evaporator contact each other. The heat exchange pipeline is a pipeline in which a refrigerant flowing through the inside of the two pipelines are heat-exchanged with each other to improve performance of a refrigerating cycle.
- [6] The heat exchange pipeline passes through the inside of the vacuum space part to

extend to the outside and inside of the refrigerator. Thus, to maintain the vacuum state of the vacuum space part, a position at which the heat exchange pipeline passes through the vacuum space part and a plate inside the refrigerator and a position at which the heat exchange pipeline passes through the vacuum space part and a plate outside the refrigerator have to be sealed. To achieve the above objects, this applicant has disclosed a structure for sealing a separate pipeline of a branched heat exchange pipeline in FIGS. 17 and 18, which is disclosed in Korean Patent Application No. 10-2017-0171596 (Cited Document 4).

- [7] According to the cited document 4, to maintain the sealing, the two pipelines of the heat exchange pipelines may be branched to pass through the vacuum space part to cause four penetrated portions. However, as the number of penetrated portions increases, a heat loss may occur. Also, if there is a problem in sealing at any one portion, it is not preferable because it is difficult to maintain vacuum in the vacuum space part. Also, a welding part of the two pipelines may be exposed to the vacuum space part, and thus, a gas generated from the welding part may destroy the vacuum state of the vacuum space part.
- [8] In addition, a pressure loss of a refrigerant may occur due to a sharp bending angle of the branched point of each of the two pipelines constituting the heat exchange pipelines. The bending angle of the heat exchange pipeline more increases due to a pitch gap (about 200 mm) of the bar constituting the supporting unit. Also, since heterogeneous bonding is performed between a stainless material forming the vacuum space part and a copper material forming the heat exchange pipeline at the penetrated portion, it is difficult to carry out the work.
- [9] The cited documents disclose a feature in which the heat exchange pipeline is placed in the vacuum adiabatic body to maintain the thermal insulation. For this, since many pipelines of the heat exchange pipeline have to be disposed at the fixed positions within the vacuum adiabatic body before the vacuum adiabatic body is vacuum sealed, it may be difficult to perform the work. Also, there is high possibility that the vacuum state of the vacuum adiabatic body is destroyed by the sealing the through-parts to lead to a great limitation of the discarding the vacuum adiabatic body.

Disclosure of Invention

Technical Problem

- [10] Embodiments provide a vacuum adiabatic body in which difficulty in work is solved at a portion at which a heat exchange pipeline passes through a vacuum space part, and the number of penetrated portions is reduced.
- [11] Embodiments also provide a vacuum adiabatic body in which a gas generated from a welding part of two pipelines constituting the heat exchange pipeline does not have an

influence on an inner space of a vacuum space part.

[12] Embodiments also provide a vacuum adiabatic body in which a pressure loss of a refrigerant due to sharp bending of a heat exchange pipeline is reduced.

[13] Embodiments also provide a vacuum adiabatic body in which leakage and difficulty of work, which occur due to heterogeneous welding between a heat exchange pipeline and a vacuum space part, are solved.

[14] Embodiments also provide a vacuum adiabatic body in which a heat exchange pipeline is easily installed, and vacuum breakage within the vacuum adiabatic body is prevented at first.

Solution to Problem

[15] In one embodiment, a refrigerator includes: a heat exchange pipeline including at least two pipeline passing through a first plate member and a second plate member to allow a refrigerant to move to internal and external spaces; and a through-part which is provided in at least one of the first plate member and the second plate member and through which the refrigerant pipe passes, wherein the refrigerator further includes a sealing member configured to accommodate the refrigerant pipe therein, coupled to at least one of the first plate member and the second plate member, and made of a material having thermal conductivity less than that of each of the first plate member and the second plate member.

[16] Since the heat exchange is not exposed to the vacuum space part, the vacuum space part may not be adversely affected, and vacuum performance may be improved.

[17] In another embodiment, a refrigerator includes: a refrigerant pipe which passes a through-part of a first plate member and a through-part of a second plate member and through which a refrigerant moves to a first space and a second space; and a through sealing part configured to accommodate the refrigerant pipe therein and seal the pair of through-parts so as to block conduction of cold air between the first space and the second space.

[18] Thus, cold air loss prevention performance may be improved.

[19] In further another embodiment, a refrigerator includes a through-part which is provided in at least one of the first plate member or the second plate member and through which the refrigerant pipe passes and further includes a sealing member configured to accommodate the refrigerant pipe and made of a material having thermal conductivity less than that of each of the first plate member and the second plate member, wherein the sealing member is supported by at least one of the first plate member or the second plate member, prevents cold air of the first space from leaking to the second space, and allows the refrigerant pipe to be spaced apart from the first plate member and the second plate member.

[20] Thus, a heat loss may be reduced, a lifespan of a product may increase, and breakage of the vacuum space may be prevented.

Advantageous Effects of Invention

[21] According to the embodiment, the number of through-parts through which the heat exchange pipeline passes through the vacuum space part may be reduced to one, and the through-part may be sealed by the separate conductive resistance sheet. Thus, the heat loss may be reduced, and also, the fear of vacuum breakage of the vacuum space part may be also reduced.

[22] According to the embodiment, since the heat exchange pipeline is not exposed to the vacuum space part, the increase of the gas within the vacuum space part due to the heat exchange pipeline may be prevented to improve the lifespan of the product.

[23] According to the embodiment, since there is no need to unreasonably bend the heat exchange pipeline in the vacuum space part, the pressure loss of the refrigerant due to the unexpected deformation of the refrigerant pipeline may be reduced.

[24] According to the embodiment, the installation work of the heat exchange pipeline may be easy, and the reliability of the sealing maintenance of the vacuum space part may be improved.

Brief Description of Drawings

[25] FIG. 1 is a perspective view of a refrigerator according to an embodiment.

[26] FIG. 2 is a view schematically showing a vacuum adiabatic body used in a main body and a door of the refrigerator.

[27] FIG. 3 is a view illustrating various embodiments of an internal configuration of a vacuum space part.

[28] FIG. 4 is a diagram illustrating results obtained by examining resins.

[29] FIG. 5 illustrates results obtained by performing an experiment on vacuum maintenance performances of resins.

[30] FIG. 6 illustrates results obtained by analyzing components of gases discharged from a PPS and a low outgassing PC.

[31] FIG. 7 illustrates results obtained by measuring maximum deformation temperatures at which resins are damaged by atmospheric pressure in high-temperature exhaustion.

[32] FIG. 8 is a view showing various embodiments of conductive resistance sheets and peripheral parts thereof.

[33] FIG. 9 is a view illustrating a configuration of an installation part of the heat exchange pipeline according to an embodiment.

[34] FIG. 10 is a view of a refrigerant to which the installation part of the heat exchange pipeline of FIG. 9 is applied according to an embodiment.

[35] FIG. 11 is a more clear conceptual view of the embodiment of FIG. 10 with respect

to a path of the heat exchange pipeline.

- [36] FIG. 12 is a view of a refrigerant to which an installation part of a heat exchange pipeline is applied according to another embodiment.
- [37] FIG. 13 is a more clear conceptual view of the embodiment of FIG. 12 with respect to a path of the heat exchange pipeline.
- [38] FIG. 14 is a view of a refrigerant to which an installation part of a heat exchange pipeline is applied according to further another embodiment.
- [39] FIG. 15 is a more clear conceptual view of the embodiment of FIG. 14 with respect to a path of the heat exchange pipeline.
- [40] FIG. 16 is a perspective view of the embodiment of FIG. 15.
- [41] FIG. 17 is a view illustrating an arrangement of the heat exchange pipeline in which a limitation of FIG. 16 is solved.
- [42] FIG. 18 is a view for explaining an adiabatic structure of the heat exchange pipeline provided in FIG. 17.
- [43] FIG. 19 is a view for explaining another example of the adiabatic structure of the heat exchange pipeline of FIG. 17.
- [44] FIG. 20 is a cross-sectional view illustrating a configuration of a through sealing part.
- [45] FIGS. 21 and 22 are views illustrating a process of manufacturing the through sealing part.
- [46] FIGS. 23 to 26 are views illustrating a mutual relationship between the through sealing part and the pipeline adiabatic part.
- [47] FIGS. 27 and 28 are views of a through sealing part according to another embodiment.
- [48] FIGS. 29 to 40 are views illustrating various embodiments in which the heat exchange pipeline is installed according to various refrigerators to which the vacuum adiabatic body is applied.

Mode for the Invention

- [49] Hereinafter, exemplary embodiments will be described with reference to the accompanying drawings. The invention may, however, be embodied in many different forms and should not be construed as being limited to the embodiments set forth herein, and a person of ordinary skill in the art, who understands the spirit of the present invention, may readily implement other embodiments included within the scope of the same concept by adding, changing, deleting, and adding components; rather, it will be understood that they are also included within the scope of the present invention.
- [50] The drawings shown below may be displayed differently from the actual product, or exaggerated or simple or detailed parts may be deleted, but this is intended to facilitate

understanding of the technical idea of the present invention. It should not be construed as limited.

- [51] The number of each of the components illustrated together with the drawings facilitates the understanding of the inventive concept by assigning the same or similar number to the same or similar component in function. Similarly, in the case of performing the same or similar function in function even if the embodiments are different, the same or similar number is assigned to facilitate the understanding of the invention.
- [52] In the accompanying drawings for providing further understanding of the invention, the same reference numeral will be given to the same member in each of the drawings. This is to avoid duplicated explanations in the understanding of the idea of the invention and focus on the differences between the technologies.
- [53] In the following description, the vacuum pressure means any pressure state lower than the atmospheric pressure. In addition, the expression that a vacuum degree of A is higher than that of B means that a vacuum pressure of A is lower than that of B.
- [54] FIG. 1 is a perspective view of a refrigerator according to an embodiment.
- [55] Referring to FIG. 1, the refrigerator 1 includes a main body 2 provided with a cavity 9 capable of storing storage goods and a door 3 provided to open/close the main body 2. The door 3 may be rotatably or slidably movably disposed to open/close the cavity 9. The cavity 9 may provide at least one of a refrigerating compartment and a freezing compartment.
- [56] Parts constituting a freezing cycle in which cold air is supplied into the cavity 9. For example, the parts include a compressor 4 for compressing a refrigerant, a condenser 5 for condensing the compressed refrigerant, an expander 6 for expanding the condensed refrigerant, and an evaporator 7 for evaporating the expanded refrigerant to take heat. As a typical structure, a fan may be installed at a position adjacent to the evaporator 7, and a fluid blown from the fan may pass through the evaporator 7 and then be blown into the cavity 9. A freezing load is controlled by adjusting the blowing amount and blowing direction by the fan, adjusting the amount of a circulated refrigerant, or adjusting the compression rate of the compressor, so that it is possible to control a refrigerating space or a freezing space.
- [57] FIG. 2 is a view schematically showing a vacuum adiabatic body used in the main body and the door of the refrigerator. In FIG. 2, a main body-side vacuum adiabatic body is illustrated in a state in which top and side walls are removed, and a door-side vacuum adiabatic body is illustrated in a state in which a portion of a front wall is removed. In addition, sections of portions at conductive resistance sheets are provided are schematically illustrated for convenience of understanding.
- [58] Referring to FIG. 2, the vacuum adiabatic body includes a first plate member 10 for

providing a wall of a low-temperature space, a second plate member 20 for providing a wall of a high-temperature space, a vacuum space part 50 defined as a gap part between the first and second plate members 10 and 20. Also, the vacuum adiabatic body includes the conductive resistance sheets 60 and 63 for preventing thermal conduction between the first and second plate members 10 and 20. A sealing part 61 for sealing the first and second plate members 10 and 20 is provided such that the vacuum space part 50 is in a sealing state.

- [59] When the vacuum adiabatic body is applied to a refrigerator or a warming apparatus, the first plate member 10 providing a wall of an internal space of the refrigerator may be referred to as an inner case, and the second plate member 20 providing a wall of an outer space of the refrigerator may be referred to as an outer case.
- [60] A machine room 8 in which parts providing a freezing cycle are accommodated is placed at a lower rear side of the main body-side vacuum adiabatic body, and an exhaust port 40 for forming a vacuum state by exhausting air in the vacuum space part 50 is provided at any one side of the vacuum adiabatic body. In addition, a pipeline 64 passing through the vacuum space part 50 may be further installed so as to install a de-frosting water line and electric lines.
- [61] The first plate member 10 may define at least one portion of a wall for a first space provided thereto. The second plate member 20 may define at least one portion of a wall for a second space provided thereto. The first space and the second space may be defined as spaces having different temperatures. Here, the wall for each space may serve as not only a wall directly contacting the space but also a wall not contacting the space. For example, the vacuum adiabatic body of the embodiment may also be applied to a product further having a separate wall contacting each space.
- [62] Factors of heat transfer, which cause loss of the adiabatic effect of the vacuum adiabatic body, are thermal conduction between the first and second plate members 10 and 20, heat radiation between the first and second plate members 10 and 20, and gas conduction of the vacuum space part 50.
- [63] Hereinafter, a heat resistance unit provided to reduce adiabatic loss related to the factors of the heat transfer will be provided. Meanwhile, the vacuum adiabatic body and the refrigerator of the embodiment do not exclude that another adiabatic means is further provided to at least one side of the vacuum adiabatic body. Therefore, an adiabatic means using foaming or the like may be further provided to another side of the vacuum adiabatic body.
- [64] The heat resistance unit may include a conductive resistance sheet that resists conduction of heat transferred along a wall of a third space and may further include a side frame coupled to the conductive resistance sheet. The conductive resistance sheet and the side frame will be clarified by the following description.

- [65] Also, the heat resistance unit may include at least one radiation resistance sheet that is provided in a plate shape within the third space or may include a porous material that resists radiation heat transfer between the second plate member and the first plate member within the third space. The radiation resistance sheet and the porous material will be clarified by the following description.
- [66] FIG. 3 is a view illustrating various embodiments of an internal configuration of the vacuum space part.
- [67] First, referring to FIG. 3A, the vacuum space part 50 may be provided in a third space having a pressure different from that of each of the first and second spaces, preferably, a vacuum state, thereby reducing an adiabatic loss. The third space may be provided at a temperature between the temperature of the first space and the temperature of the second space. Since the third space is provided as a space in the vacuum state, the first and second plate members 10 and 20 receive force contracted in a direction in which they approach each other due to a force corresponding to a pressure difference between the first and second spaces. Therefore, the vacuum space part 50 may be deformed in a direction in which a distance between the plate members is reduced. In this case, the adiabatic loss may be caused due to an increase in amount of heat radiation, caused by the contraction of the vacuum space part 50, and an increase in amount of thermal conduction, caused by contact between the plate members 10 and 20.
- [68] The supporting unit 30 may be provided to reduce deformation of the vacuum space part 50. The supporting unit 30 includes a bar 31. The bar 31 may extend in a substantially vertical direction with respect to the plate members to support a distance between the first plate member and the second plate member. A support plate 35 may be additionally provided on at least any one end of the bar 31. The support plate 35 may connect at least two or more bars 31 to each other to extend in a horizontal direction with respect to the first and second plate members 10 and 20. The support plate 35 may be provided in a plate shape or may be provided in a lattice shape so that an area of the support plate contacting the first or second plate member 10 or 20 decreases, thereby reducing heat transfer. The bars 31 and the support plate 35 are fixed to each other at at least one portion, to be inserted together between the first and second plate members 10 and 20. The support plate 35 contacts at least one of the first and second plate members 10 and 20, thereby preventing deformation of the first and second plate members 10 and 20. In addition, based on the extending direction of the bars 31, a total sectional area of the support plate 35 is provided to be greater than that of the bars 31, so that heat transferred through the bars 31 may be diffused through the support plate 35.
- [69] A material of the supporting unit 30 will be described.

- [70] The supporting unit 30 is to have a high compressive strength so as to endure the vacuum pressure. Also, the supporting unit 30 is to have a low outgassing rate and a low water absorption rate so as to maintain the vacuum state. Also, the supporting unit 30 is to have a low thermal conductivity so as to reduce the thermal conduction between the plate members. Also, the supporting unit 30 is to secure the compressive strength at a high temperature so as to endure a high-temperature exhaust process. Also, the supporting unit 30 is to have an excellent machinability so as to be subjected to molding. Also, the supporting unit 30 is to have a low cost for molding. Here, the time required to perform the exhaust process takes about a few days. Hence, the time is reduced, thereby considerably improving fabrication cost and productivity. Therefore, the compressive strength is to be secured at the high temperature because an exhaust speed is increased as a temperature at which the exhaust process is performed becomes higher. The inventor has performed various examinations under the above-described conditions.
- [71] First, ceramic or glass has a low outgassing rate and a low water absorption rate, but its machinability is remarkably lowered. Hence, the ceramic and glass may not be used as the material of the supporting unit 30. Therefore, resin may be considered as the material of the supporting unit 30.
- [72] FIG. 4 is a diagram illustrating results obtained by examining resins.
- [73] Referring to FIG. 4, the present inventor has examined various resins, and most of the resins cannot be used because their outgassing rates and water absorption rates are remarkably high. Accordingly, the present inventor has examined resins that approximately satisfy conditions of the outgassing rate and the water absorption rate. As a result, PE is inappropriate to be used due to its high outgassing rate and its low compressive strength. PCTFE is not preferable to be used due to its remarkably high price. PEEK is inappropriate to be used due to its high outgassing rate. Accordingly, it is determined that that a resin selected from the group consisting of polycarbonate (PC), glass fiber PC, low outgassing PC, polyphenylene sulfide (PPS), and liquid crystal polymer (LCP) may be used as the material of the supporting unit. However, an outgassing rate of the PC is 0.19, which is at a low level. Hence, as the time required to perform baking in which exhaustion is performed by applying heat is increased to a certain level, the PC may be used as the material of the supporting unit.
- [74] The present inventor has found an optimal material by performing various studies on resins expected to be used inside the vacuum space part. Hereinafter, results of the performed studies will be described with reference to the accompanying drawings.
- [75] FIG. 5 is a view illustrating results obtained by performing an experiment on vacuum maintenance performances of the resins.
- [76] Referring to FIG. 5, there is illustrated a graph showing results obtained by fab-

ricating the supporting unit using the respective resins and then testing vacuum maintenance performances of the resins. First, a supporting unit fabricated using a selected material was cleaned using ethanol, left at a low pressure for 48 hours, exposed to the air for 2.5 hours, and then subjected to an exhaust process at 90 °C for about 50 hours in a state that the supporting unit was put in the vacuum adiabatic body, thereby measuring a vacuum maintenance performance of the supporting unit.

[77] It may be seen that in the case of the LCP, its initial exhaust performance is best, but its vacuum maintenance performance is bad. It may be expected that this is caused by sensitivity of the LCP to temperature. Also, it is expected through characteristics of the graph that, when a final allowable pressure is 5×10^{-3} Torr, its vacuum performance will be maintained for a time of about 0.5 years. Therefore, the LCP is inappropriate as the material of the supporting unit.

[78] It may be seen that, in the case of the glass fiber PC (G/F PC), its exhaust speed is fast, but its vacuum maintenance performance is low. It is determined that this will be influenced by an additive. Also, it is expected through the characteristics of the graph that the glass fiber PC will maintain its vacuum performance will be maintained under the same condition for a time of about 8.2 years. Therefore, the LCP is inappropriate as the material of the supporting unit.

[79] It is expected that, in the case of the low outgassing PC (O/G PC), its vacuum maintenance performance is excellent, and its vacuum performance will be maintained under the same condition for a time of about 34 years, as compared with the above-described two materials. However, it may be seen that the initial exhaust performance of the low outgassing PC is low, and therefore, the fabrication efficiency of the low outgassing PC is lowered.

[80] It may be seen that, in the case of the PPS, its vacuum maintenance performance is remarkably excellent, and its exhaust performance is also excellent. Therefore, it is most preferably considered that, based on the vacuum maintenance performance, the PPS is used as the material of the supporting unit.

[81] FIG. 6 illustrates results obtained by analyzing components of gases discharged from the PPS and the low outgassing PC, in which the horizontal axis represents mass numbers of gases and the vertical axis represents concentrations of gases. FIG. 6A illustrates a result obtained by analyzing a gas discharged from the low outgassing PC. In FIG. 6A, it may be seen that H₂ series (I), H₂O series (II), N₂/CO/CO₂/O₂ series (III), and hydrocarbon series (IV) are equally discharged. FIG. 6B illustrates a result obtained by analyzing a gas discharged from the PPS. In FIG. 6B, it may be seen that H₂ series (I), H₂O series (II), and N₂/CO/CO₂/O₂ series (III) are discharged to a weak extent. FIG. 6C is a result obtained by analyzing a gas discharged from stainless steel. In FIG. 6C, it may be seen that a similar gas to the PPS is discharged from the stainless

steel. Consequently, it may be seen that the PPS discharges a similar gas to the stainless steel.

[82] As the analyzed result, it may be re-confirmed that the PPS is excellent as the material of the supporting unit.

[83] To further reinforce the strength of the supporting unit, a material added with glass fiber (G/F) of several tens%, preferably, G/F of 40% together with the PPS may be used. To more increase in strength of a PPS+G/F 40% material used in the supporting unit, the PPS+G/F 40% material may be further subjected to a crystallization process (left under an atmosphere of 150°C or more for about 1 hour) as a post-treatment process after injection.

[84] FIG. 7 illustrates results obtained by measuring maximum deformation temperatures at which resins are damaged by atmospheric pressure in high-temperature exhaustion. At this time, the bars 31 were provided at a diameter of 2 mm at a distance of 30 mm. Referring to FIG. 7, it may be seen that a rupture occurs at 60°C in the case of the PE, a rupture occurs at 90°C in the case of the low outgassing PC, and a rupture occurs at 125°C in the case of the PPS.

[85] As the analyzed result, it may be seen that the PPS is most preferably used as the resin used inside the vacuum space part. However, the low outgassing PC may be used in terms of fabrication cost.

[86] A radiation resistance sheet 32 for reducing heat radiation between the first and second plate members 10 and 20 through the vacuum space part 50 will be described. The first and second plate members 10 and 20 may be made of a stainless material capable of preventing corrosion and providing a sufficient strength. The stainless material has a relatively high emissivity of 0.16, and hence a large amount of radiation heat may be transferred. In addition, the supporting unit 30 made of the resin has a lower emissivity than the plate members, and is not entirely provided to inner surfaces of the first and second plate members 10 and 20. Hence, the supporting unit 30 does not have great influence on radiation heat. Therefore, the radiation resistance sheet 32 may be provided in a plate shape over a majority of the area of the vacuum space part 50 so as to concentrate on reduction of radiation heat transferred between the first and second plate members 10 and 20. A product having a low emissivity may be preferably used as the material of the radiation resistance sheet 32. In an embodiment, an aluminum foil having an emissivity of 0.02 may be used as the radiation resistance sheet 32. Also, since the transfer of radiation heat may not be sufficiently blocked using one radiation resistance sheet, at least two radiation resistance sheets 32 may be provided at a certain distance so as not to contact each other. Also, at least one radiation resistance sheet may be provided in a state in which it contacts the inner surface of the first or second plate member 10 or 20.

- [87] Referring back to FIG. 3B, the distance between the plate members is maintained by the supporting unit 30, and a porous material 33 may be filled in the vacuum space part 50. The porous material 33 may have a higher emissivity than the stainless material of the first and second plate members 10 and 20. However, since the porous material 33 is filled in the vacuum space part 50, the porous material 33 has a high efficiency for resisting the radiation heat transfer.
- [88] In the present embodiment, the vacuum adiabatic body may be manufactured without the radiation resistance sheet 32.
- [89] Referring to FIG. 3C, the supporting unit 30 for maintaining the vacuum space part 50 may not be provided. A porous material 333 may be provided to be surrounded by a film 34 instead of the supporting unit 30. Here, the porous material 33 may be provided in a state of being compressed so that the gap of the vacuum space part is maintained. The film 34 made of, for example, a PE material may be provided in a state in which a hole is punched in the film 34.
- [90] In the present embodiment, the vacuum adiabatic body may be manufactured without the supporting unit 30. That is to say, the porous material 33 may perform the function of the radiation resistance sheet 32 and the function of the supporting unit 30 together.
- [91] FIG. 8 is a view showing various embodiments of conductive resistance sheets and peripheral parts thereof. Structures of the conductive resistance sheets are briefly illustrated in FIG. 2, but will be understood in detail with reference to the drawings.
- [92] First, a conductive resistance sheet proposed in FIG. 8A may be preferably applied to the main body-side vacuum adiabatic body. Specifically, the first and second plate members 10 and 20 are to be sealed so as to vacuumize the interior of the vacuum adiabatic body. In this case, since the two plate members have different temperatures from each other, heat transfer may occur between the two plate members. A conductive resistance sheet 60 is provided to prevent thermal conduction between two different kinds of plate members.
- [93] The conductive resistance sheet 60 may be provided with the sealing part 61 at which both ends of the conductive resistance sheet 60 are sealed to defining at least one portion of the wall for the third space and maintain the vacuum state. The conductive resistance sheet 60 may be provided as a thin foil in unit of micrometer so as to reduce the amount of heat conducted along the wall for the third space. The sealing parts 610 may be provided as welding parts. That is, the conductive resistance sheet 60 and the plate members 10 and 20 may be fused to each other. In order to cause a fusing action between the conductive resistance sheet 60 and the plate members 10 and 20, the conductive resistance sheet 60 and the plate members 10 and 20 may be made of the same material, and a stainless material may be used as the material. The sealing parts 610 are not limited to the welding parts, and may be provided through a process such

as cocking. The conductive resistance sheet 60 may be provided in a curved shape. Thus, a thermal conduction distance of the conductive resistance sheet 60 is provided longer than the linear distance of each plate member, so that the amount of thermal conduction may be further reduced.

[94] A change in temperature occurs along the conductive resistance sheet 60. Therefore, in order to block heat transfer to the exterior of the conductive resistance sheet 60, a shielding part 62 may be provided at the exterior of the conductive resistance sheet 60 such that an adiabatic action occurs. In other words, in the refrigerator, the second plate member 20 has a high temperature and the first plate member 10 has a low temperature. In addition, thermal conduction from high temperature to low temperature occurs in the conductive resistance sheet 60, and hence the temperature of the conductive resistance sheet 60 is suddenly changed. Therefore, when the conductive resistance sheet 60 is opened to the exterior thereof, heat transfer through the opened place may seriously occur. In order to reduce heat loss, the shielding part 62 is provided at the exterior of the conductive resistance sheet 60. For example, when the conductive resistance sheet 60 is exposed to any one of the low-temperature space and the high-temperature space, the conductive resistance sheet 60 does not serve as a conductive resistor as well as the exposed portion thereof, which is not preferable.

[95] The shielding part 62 may be provided as a porous material contacting an outer surface of the conductive resistance sheet 60. The shielding part 62 may be provided as an adiabatic structure, e.g., a separate gasket, which is placed at the exterior of the conductive resistance sheet 60. The shielding part 62 may be provided as a portion of the vacuum adiabatic body, which is provided at a position facing a corresponding conductive resistance sheet 60 when the main body-side vacuum adiabatic body is closed with respect to the door-side vacuum adiabatic body. In order to reduce heat loss even when the main body and the door are opened, the shielding part 62 may be preferably provided as a porous material or a separate adiabatic structure.

[96] A conductive resistance sheet proposed in FIG. 8B may be preferably applied to the door-side vacuum adiabatic body. In FIG. 8B, portions different from those of FIG. 8A are described in detail, and the same description is applied to portions identical to those of FIG. 8A. A side frame 70 is further provided at an outside of the conductive resistance sheet 60. A part for sealing between the door and the main body, an exhaust port necessary for an exhaust process, a getter port for vacuum maintenance, and the like may be placed on the side frame 70. This is because the mounting of parts is convenient in the main body-side vacuum adiabatic body, but the mounting positions of parts are limited in the door-side vacuum adiabatic body.

[97] In the door-side vacuum adiabatic body, it is difficult to place the conductive resistance sheet 60 at a front end portion of the vacuum space part, i.e., a corner side

portion of the vacuum space part. This is because, unlike the main body, a corner edge portion of the door is exposed to the exterior. In more detail, if the conductive resistance sheet 60 is placed at the front end portion of the vacuum space part, the corner edge portion of the door is exposed to the exterior, and hence there is a disadvantage in that a separate adiabatic part should be configured so as to thermally insulate the conductive resistance sheet 60.

[98] A conductive resistance sheet proposed in FIG. 8C may be preferably installed in the pipeline passing through the vacuum space part. In FIG. 8C, portions different from those of FIGS. 8A and 8b are described in detail, and the same description is applied to portions identical to those of FIGS. 8A and 8B. A conductive resistance sheet having the same shape as that of FIG. 8A, preferably, a wrinkled conductive resistance sheet 63 may be provided at a peripheral portion of the pipeline 64. Accordingly, a heat transfer path may be lengthened, and deformation caused by a pressure difference may be prevented. In addition, a separate shielding part may be provided to improve the adiabatic performance of the conductive resistance sheet.

[99] A heat transfer path between the first and second plate members 10 and 20 will be described with reference back to FIG. 8A. Heat passing through the vacuum adiabatic body may be divided into surface conduction heat ① conducted along a surface of the vacuum adiabatic body, more specifically, the conductive resistance sheet 60, supporter conduction heat ② conducted along the supporting unit 30 provided inside the vacuum adiabatic body, gas conduction heat ③ conducted through an internal gas in the vacuum space part, and radiation transfer heat ④ transferred through the vacuum space part.

[100] The transfer heat may be changed depending on various design dimensions. For example, the supporting unit may be changed such that the first and second plate members 10 and 20 may endure a vacuum pressure without being deformed, the vacuum pressure may be changed, the distance between the plate members may be changed, and the length of the conductive resistance sheet may be changed. The transfer heat may be changed depending on a difference in temperature between the spaces (the first and second spaces) respectively provided by the plate members. In the embodiment, a preferred configuration of the vacuum adiabatic body has been found by considering that its total heat transfer amount is smaller than that of a typical adiabatic structure formed by foaming polyurethane. In a typical refrigerator including the adiabatic structure formed by foaming the polyurethane, an effective heat transfer coefficient may be proposed as 19.6 mW/mK.

[101] By performing a relative analysis on heat transfer amounts of the vacuum adiabatic body of the embodiment, a heat transfer amount by the gas conduction heat ③ may become the smallest. For example, the heat transfer amount by the gas conduction heat

③ may be controlled to be equal to or smaller than 4% of the total heat transfer amount. A heat transfer amount by solid conduction heat defined as a sum of the surface conduction heat ① and the supporter conduction heat ② is the largest. For example, the heat transfer amount by the solid conduction heat may reach 75% of the total heat transfer amount. A heat transfer amount by the radiation transfer heat ③ is smaller than the heat transfer amount by the solid conduction heat but larger than the heat transfer amount of the gas conduction heat. For example, the heat transfer amount by the radiation transfer heat ③ may occupy about 20% of the total heat transfer amount.

[102] According to such a heat transfer distribution, effective heat transfer coefficients (eK: effective K) (W/mK) of the surface conduction heat ①, the supporter conduction heat ②, the gas conduction heat ③, and the radiation transfer heat ④ may have an order of Math Equation 1.

[103] [Equation 1]

[104] $eK_{\text{solid conduction heat}} > eK_{\text{radiation transfer heat}} > eK_{\text{gas conduction heat}}$

[105] Here, the effective heat transfer coefficient (eK) is a value that may be measured using a shape and temperature differences of a target product. The effective heat transfer coefficient (eK) is a value that may be obtained by measuring a total heat transfer amount and a temperature at least one portion at which heat is transferred. For example, a calorific value (W) is measured using a heating source that may be quantitatively measured in the refrigerator, a temperature distribution (K) of the door is measured using heats respectively transferred through a main body and an edge of the door of the refrigerator, and a path through which heat is transferred is calculated as a conversion value (m), thereby evaluating an effective heat transfer coefficient.

[106] The effective heat transfer coefficient (eK) of the entire vacuum adiabatic body is a value given by $k=QL/A\Delta T$. Here, Q denotes a calorific value (W) and may be obtained using a calorific value of a heater. A denotes a sectional area (m²) of the vacuum adiabatic body, L denotes a thickness (m) of the vacuum adiabatic body, and ΔT denotes a temperature difference.

[107] For the surface conduction heat, a conductive calorific value may be obtained through a temperature difference (ΔT) between an entrance and an exit of the conductive resistance sheet 60 or 63, a sectional area (A) of the conductive resistance sheet, a length (L) of the conductive resistance sheet, and a thermal conductivity (k) of the conductive resistance sheet (the thermal conductivity of the conductive resistance sheet is a material property of a material and may be obtained in advance). For the supporter conduction heat, a conductive calorific value may be obtained through a temperature difference (ΔT) between an entrance and an exit of the supporting unit 30, a sectional area (A) of the supporting unit, a length (L) of the supporting unit, and a

thermal conductivity (k) of the supporting unit. Here, the thermal conductivity of the supporting unit is a material property of a material and may be obtained in advance. The sum of the gas conduction heat ③, and the radiation transfer heat ④ may be obtained by subtracting the surface conduction heat and the supporter conduction heat from the heat transfer amount of the entire vacuum adiabatic body. A ratio of the gas conduction heat ③, and the radiation transfer heat ④ may be obtained by evaluating radiation transfer heat when no gas conduction heat exists by remarkably lowering a vacuum degree of the vacuum space part 50.

[108] When a porous material is provided inside the vacuum space part 50, porous material conduction heat ⑤ may be a sum of the supporter conduction heat ② and the radiation transfer heat ④. The porous material conduction heat may be changed depending on various variables including a kind, an amount, and the like of the porous material.

[109] According to an embodiment, a temperature difference ΔT_1 between a geometric center formed by adjacent bars 31 and a point at which each of the bars 31 is located may be preferably provided to be less than 0.5°C . Also, a temperature difference ΔT_2 between the geometric center formed by the adjacent bars 31 and an edge portion of the vacuum adiabatic body may be preferably provided to be less than 0.5°C . In the second plate member 20, a temperature difference between an average temperature of the second plate and a temperature at a point at which a heat transfer path passing through the conductive resistance sheet 60 or 63 meets the second plate may be the largest. For example, when the second space is a region hotter than the first space, the temperature at the point at which the heat transfer path passing through the conductive resistance sheet meets the second plate member becomes lowest. Similarly, when the second space is a region colder than the first space, the temperature at the point at which the heat transfer path passing through the conductive resistance sheet meets the second plate member becomes highest.

[110] This means that the amount of heat transferred through other points except the surface conduction heat passing through the conductive resistance sheet should be controlled, and the entire heat transfer amount satisfying the vacuum adiabatic body may be achieved only when the surface conduction heat occupies the largest heat transfer amount. To this end, a temperature variation of the conductive resistance sheet may be controlled to be larger than that of the plate member.

[111] Physical characteristics of the parts constituting the vacuum adiabatic body will be described. In the vacuum adiabatic body, a force by vacuum pressure is applied to all of the parts. Therefore, a material having a strength (N/m^2) of a certain level may be preferably used.

[112] Under such circumstances, the plate members 10 and 20 and the side frame 70 may be preferably made of a material having a sufficient strength with which they are not

damaged by even vacuum pressure. For example, when the number of bars 31 is decreased so as to limit the support conduction heat, deformation of the plate member occurs due to the vacuum pressure, which may bad influence on the external appearance of refrigerator. The radiation resistance sheet 32 may be preferably made of a material that has a low emissivity and may be easily subjected to thin film processing. Also, the radiation resistance sheet 32 is to ensure a strength enough not to be deformed by an external impact. The supporting unit 30 is provided with a strength enough to support the force by the vacuum pressure and endure an external impact, and is to have machinability. The conductive resistance sheet 60 may be preferably made of a material that has a thin plate shape and may endure the vacuum pressure.

[113] In an embodiment, the plate member, the side frame, and the conductive resistance sheet may be made of stainless materials having the same strength. The radiation resistance sheet may be made of aluminum having a weaker strength than the stainless materials. The supporting unit may be made of resin having a weaker strength than the aluminum.

[114] Unlike the strength from the point of view of materials, analysis from the point of view of stiffness is required. The stiffness (N/m) is a property that would not be easily deformed. Although the same material is used, its stiffness may be changed depending on its shape. The conductive resistance sheets 60 or 63 may be made of a material having a strength, but the stiffness of the material is preferably low so as to increase heat resistance and minimize radiation heat as the conductive resistance sheet is uniformly spread without any roughness when the vacuum pressure is applied. The radiation resistance sheet 32 requires a stiffness of a certain level so as not to contact another part due to deformation. Particularly, an edge portion of the radiation resistance sheet may generate conduction heat due to drooping caused by the self-load of the radiation resistance sheet. Therefore, a stiffness of a certain level is required. The supporting unit 30 requires a stiffness enough to endure a compressive stress from the plate member and an external impact.

[115] In an embodiment, the plate member and the side frame may preferably have the highest stiffness so as to prevent deformation caused by the vacuum pressure. The supporting unit, particularly, the bar may preferably have the second highest stiffness. The radiation resistance sheet may preferably have a stiffness that is lower than that of the supporting unit but higher than that of the conductive resistance sheet. Lastly, the conductive resistance sheet may be preferably made of a material that is easily deformed by the vacuum pressure and has the lowest stiffness.

[116] Even when the porous material 33 is filled in the vacuum space part 50, the conductive resistance sheet may preferably have the lowest stiffness, and the plate member and the side frame may preferably have the highest stiffness.

- [117] The vacuum space part may resist to heat transfer by only the supporting unit 30. Here, a porous material 33 may be filled with the supporting unit inside the vacuum space part 50 to resist to the heat transfer. The heat transfer to the porous material may resist without applying the supporting unit.
- [118] In the above description, as a material suitable for the supporting unit, a resin of PPS has been proposed. The bar 31 is provided on the support plate 35 at gaps of 2 cm to 3 cm, and the bar 31 has a height of 1 cm to 2 cm. These resins often have poor fluidity of the resin during the molding. In many cases, the molded article does not have the designed value. Particularly, the shape of a molded product such as a bar having a short length is often not provided properly due to non-uniform injection of resin into a part far from the liquid injection port of the liquid.
- [119] This may cause damage of the supporting unit or defective vacuum adiabatic body later.
- [120] The supporting unit 30 is a substantially two-dimensional structure, but its area is considerably large. Therefore, if a defect occurs in one of the portions, it is difficult to discard the entire structure. This limitation becomes even more pronounced as refrigerators and warming apparatus are becoming larger in size to meet the needs of consumers.
- [121] The vacuum adiabatic body may be applied to the main body of the refrigerator. In this case, the refrigerant pipe connecting the evaporator disposed inside the refrigerator, i.e., the first space to the condenser disposed outside the refrigerator may pass through the vacuum adiabatic body. The refrigerant pipe may be provided as a heat exchange pipeline.
- [122] The heat exchange pipeline may be provided by boning an inlet pipe 171 through which the refrigerant is introduced into an evaporator disposed in the refrigerator to an outlet pipe 172 through which the refrigerant is discharged from the evaporator. Two pipelines that are the inlet pipe 171 and the outlet pipe 172 may be bonded to each other through welding. The refrigerant flowing through the inlet pipe and the outlet pipe may be heat-exchanged with each other to improve efficiency of a refrigeration cycle.
- [123] According to an embodiment, the heat exchange pipeline may be disposed outside the vacuum space part. The heat exchange pipeline may not be disposed in the narrow vacuum space part to prevent the heat exchange pipeline from having a bad influence on the vacuum space part, and an effort for installing the heat exchange pipeline into the narrow vacuum space part may be unnecessary.
- [124] In the following embodiments, the heat exchange pipeline refers to a pipeline area on which an inlet pipe and an outlet pipe intensively contact each other to allow the refrigerant to be heat-exchanged with each other. Although the heat exchange is

performed in other areas for additional heat exchange within the range of engineering margins, it may be understood that an amount of heat exchange is relatively small. In some cases, it is understood that the heat exchange pipeline is additionally provided elsewhere, but in the embodiment, it is understood that the pipeline for the heat exchange is placed in a region that is called a heat exchange pipeline.

- [125] FIG. 9 is a view illustrating a configuration of an installation part of the heat exchange pipeline according to an embodiment.
- [126] Referring to FIG. 9, the first plate member 10 and the second plate member 20 are provided, and a vacuum space part 50 is provided between the plate members 10 and 20. The first plate member 10 may be used as a low-temperature side wall of the refrigerator, and the second plate member 20 may be used as a high-temperature side wall of the refrigerator.
- [127] The heat exchange pipeline 117 may pass through a wall of the vacuum adiabatic body. That is to say, the heat exchange pipeline 117 may linearly pass through the first plate member 10, the vacuum space part 50, and the second plate member 20 and then be withdrawn from one space to the other space with respect to the vacuum adiabatic body. The plate members 10 and 20 through which the heat exchange pipeline passes may be the same point with respect to the vacuum adiabatic body. The heat exchange pipeline 117 may not be disposed in the vacuum space part 50. When the vacuum adiabatic body is applied to the refrigerator, the vacuum adiabatic body may be withdrawn from the inside to the outside of the refrigerator.
- [128] The through-part through which the heat exchange pipeline 117 passes through the wall of the vacuum adiabatic body, may be sealed by a through sealing part 300. The through-part may be defined as a portion in which the plate members 10 and 20 are opened so that the refrigerant pipe passes therethrough. The heat exchange pipeline 117 may pass through the vacuum adiabatic body without vacuum breakage of the vacuum space part 50 and the adiabatic loss by the through sealing part 300. The through sealing part 300 will be described below in more detail with reference to other drawings.
- [129] The heat exchange pipeline 117 that is withdrawn to the outside may be configured so that the inlet pipe 171 and the outlet pipe 172 are heat-exchanged with each other in a predetermined space that is partitioned from the outside by a pipeline adiabatic case 302. The heat exchange pipeline 117 may have a bent or rolled shape so that the heat exchange pipeline 117 is intensively heat-exchanged within the pipeline adiabatic case 302.
- [130] The inside of the pipeline adiabatic case 302 may be provided as a pipeline adiabatic part 301 so that the inlet pipe 171 and the outlet pipe 172, which constitute the heat exchange pipeline 117, are heat-exchanged with each other to prevent the adiabatic

loss due to the heat exchange with the outside from occurring. The pipeline adiabatic part 301 may perform an adiabatic function through vacuum, adiabatic foam, and air that is blocked from the outside. Alternatively, since the pipeline adiabatic case 302 is partitioned into the inside and outside thereof by itself, the pipeline adiabatic case 302 may perform the adiabatic function through the shielding.

[131] The pipeline adiabatic case 302 may be installed on the second plate member 20, and the outer surface of the second plate member 20 may be provided as one wall of the pipeline adiabatic part 301. However, this embodiment is not limited thereto. For example, the pipeline adiabatic case 302 may be installed at a side of the first plate member 10, and the inner surface of the first plate member 10 may be provided as one wall of the pipeline adiabatic part 301. However, in this case, the space within the refrigerator may be narrowed.

[132] At least the through sealing part 300 may be disposed inside the pipeline adiabatic part 301 and the pipeline adiabatic case 302. That is to say, the through sealing part 300 may not be exposed to the outside and may be covered by the pipeline adiabatic part 301 and the pipeline adiabatic case 302.

[133] The heat propagating along the heat exchange pipeline 117 may cause the adiabatic loss. For example, the vacuum breakage of the vacuum space part 50 may not occur by the through sealing part 300, and an air flow to the outside of the refrigerator may be blocked to reduce the adiabatic loss. However, a case in which heat conducted to the inside of the refrigerator along the heat exchange pipeline 117 by using the first plate member as a boundary is not sufficiently blocked may occur in designing a refrigeration system. In this case, the pipeline adiabatic part 301 and the pipeline adiabatic case 302 may be further installed at a side of the first plate member 10. In some cases, a small-sized adiabatic member rather than a large-sized constitution reaching the pipeline adiabatic part 301 and the pipeline adiabatic case 302. It is to be understood that the adiabatic member is provided on both the plate members 10 and 20 in the following other embodiments.

[134] However, the adiabatic loss affected in the inside of the refrigerator may be reduced by only the pipeline adiabatic part 301 and the pipeline adiabatic case 302, which are provided inside the second plate member 20, through sufficient examination of the refrigeration system.

[135] According to this embodiment, the influence exerted on the vacuum space part 50 by the heat exchange pipeline 117 may be reduced in the beginning, and the limitation in which the vacuum adiabatic body is not repaired later due to the sealing of the vacuum adiabatic body may be solved.

[136] FIG. 10 is a view of the refrigerant to which the installation part of the heat exchange pipeline of FIG. 9 is applied according to an embodiment. In the refrigerator of FIG.

10, the single vacuum adiabatic body is divided into two spaces by a partition wall 350. The two spaces may be opened and closed by separate doors, and a single evaporator may be provided to supply cold air into the two spaces.

- [137] Referring to FIG. 10, a single main body 2 provided by the single adiabatic body may be divided into two spaces, and the two spaces may be opened and closed by separate doors 3. The two spaces may operate in an upper-refrigerating and lower-freezing manner. The partition wall 350 may be provided in at least one of a manner in which an adiabatic unit that is a foaming member is filled or a shield manner in which an inner space is shielded from the outside.
- [138] An evaporator 7 is disposed in the freezing space of the two spaces. The cold air supplied to the evaporator 7 may be supplied from the inlet pipe 171 via a compressor 4 and a condenser 5. The inlet pipe 171 may serve as an expansion device. A refrigerant evaporated in the evaporator 7 is discharged through the outlet pipe 172. It has already been explained that the heat exchange pipeline 117 in which the inlet pipe 171 and the outlet pipe 172 are exchanged with each other is provided outside the refrigerator.
- [139] The heat exchange pipeline 117 is disposed in a separate space having one surface extending along the outer surface of the vacuum adiabatic body as a substantial wall outside the vacuum adiabatic body providing the wall of the refrigerator. The heat exchange pipeline 117 may be the same as the above-described heat exchange pipeline in that the thermal insulation is realized by the pipeline adiabatic part 301 and the pipeline adiabatic case 302.
- [140] A cold air passage 351 may be provided in the partition wall 350. The cold air passage 351 may be a passage through which cold air generated in the evaporator 7 is transferred from the space, in which the evaporator is disposed, to the other space. To remove defrosting water generated in the evaporator 7 to the outside of the main body 2, a defrosting water pipeline 352 may be further provided in the vacuum adiabatic body.
- [141] The through sealing part 300 may be provided on a position at which the heat exchange pipeline 117 passes through the main body 2 to prevent heat from being transferred to the inside and outside of the refrigerator. Also, the pipeline adiabatic part 301 and the pipeline adiabatic case 302 may cover the through sealing part 300 to more firmly prevent the cold air from being lost.
- [142] In FIG. 10, a thick solid line indicates a copper pipe, which has an inner diameter of about 3 millimeters or more. A thin solid line represents a thin pipeline having a diameter of about 1 millimeter or less as a capillary.
- [143] FIG. 11 is a more clear conceptual view of the embodiment of FIG. 10 with respect to a path of the heat exchange pipeline.

- [144] Referring to FIG. 11, the heat exchange pipeline 117 is shielded from the outside by the pipeline adiabatic part 301 and the pipeline adiabatic case 302, which are disposed on the outer surface of the vacuum adiabatic body. In this state, the inlet pipe 171 and the outlet pipe 172, which constitute the heat exchange pipeline 117, may be heat-exchanged with only each other to reduce the adiabatic loss.
- [145] The through sealing part 300 may be covered and protected by the pipeline adiabatic part 301 and the pipeline adiabatic case 302.
- [146] According to the above-described constituents, the heat exchange pipeline 117 may sufficiently generate thermal energy between the condenser C and the evaporator E to reuse the thermal energy.
- [147] Since the heat exchange pipeline is not disposed in the vacuum space part 50, the vacuum breakage of the vacuum space part and the difficulty in repair of the heat exchange pipeline may be prevented in the beginning.
- [148] FIG. 12 is a view of a refrigerant to which an installation part of a heat exchange pipeline is applied according to another embodiment. Other constituents according to an embodiment of FIG. 12 are the same as those according to an embodiment of FIG. 10 except for installation of a heat exchange pipeline and a peripheral portion of the heat exchange pipeline, and thus, non-explained constituents will be derived from the descriptions of the embodiment of FIG. 10.
- [149] Referring to FIG. 12, in this embodiment, a heat exchange pipeline 117 is disposed in a partition wall 350. For example, the heat exchange pipeline 117 may be disposed within the partition wall 350. The partition wall 350 is configured to thermally insulate two spaces within a main body 2. Thus, a separate adiabatic constituent, which is provided as only the heat exchange pipeline 117, for example, a pipeline adiabatic part 301 and a pipeline adiabatic case 302 may not be separately provided. The constituents of the partition wall 350 may be provided as adiabatic constituents of the heat exchange pipeline 117.
- [150] The heat exchange pipeline 117 connected to the evaporator 7 may perform heat exchange between the inlet pipe 171 and the outlet pipe 172 in the partition wall 350 and then be withdrawn to the outside of a main body 2 by passing through a through sealing part 300.
- [151] In this embodiment, it is unnecessary to separately provide the pipeline adiabatic part 301 and the pipeline adiabatic case 302 outside the refrigerator. Thus, the outer spaces of the refrigerator may be more efficiently utilized. In addition, since the adiabatic constituents of the partition wall 350 are used together with the adiabatic constituents of the heat exchange pipeline 117, the space utilization may be improved.
- [152] FIG. 13 is a more clear conceptual view of the embodiment of FIG. 12 with respect to a path of the heat exchange pipeline.

- [153] Referring to FIG. 13, the constituents of the partition wall 350 may serve as the adiabatic constituents of the heat exchange pipeline 117, respectively. As an outer surface structure of the partition wall 350, an outer case made of a resin material may act as the pipeline adiabatic case 302, and an adiabatic member made of a foamed resin material provided into the partition wall 350 may act as the pipeline adiabatic part 301.
- [154] The inlet pipe 171 and the outlet pipe 172, which constitute the heat exchange pipeline 117, may be heat-exchanged with only each other to reduce a adiabatic loss.
- [155] The through sealing part 300 may be covered and protected by the partition wall 350. As described above, a separate adiabatic structure may be provided at a side of the second plate member 20 adjacent to the through sealing part 300.
- [156] According to the above-described constituents, the heat exchange pipeline 117 may sufficiently generate thermal energy between the condenser C and the evaporator E to reuse the thermal energy.
- [157] According to the above-described constituents, since a constituent for separately installing the heat exchange pipeline outside the refrigerator is not required, the configuration may be simplified, and the refrigerator may be reduced in size. Alternatively, various advantages due to the absence of the heat exchange pipeline in the vacuum space part 50 may be obtained as in the previous embodiments.
- [158] FIG. 14 is a view of a refrigerator to which an installation part of a heat exchange pipeline is applied according to further another embodiment. Other constituents according to an embodiment of FIG. 14 are the same as those according to an embodiment of FIGS. 10 and 12 except for installation of a heat exchange pipeline and a peripheral portion of the heat exchange pipeline, and thus, non-explained constituents will be derived from the descriptions of the embodiment of FIGS. 10 and 12.
- [159] Referring to FIG. 14, in this embodiment, a heat exchange pipeline 117 is disposed in a machine room 8. Since the heat exchange pipeline 117 is disposed in an inner space of the machine room 8, the pipeline adiabatic part 301 and the pipeline adiabatic case 302 may be provided to sufficiently perform heat exchange between the two pipelines disposed in the heat exchange pipeline 117.
- [160] In this embodiment, a defrosting water pipeline 352 and a through sealing part 300, which are required for driving an evaporator 7, may be achieved by a single through-structure. That is to say, an inlet pipe 171, an outlet pipe 172, and the defrosting water pipeline 352 may pass together through the single through sealing part 300 through which the vacuum adiabatic body passes. Thus, according to another embodiment, since the single through-part sufficiently serves as the through-parts, which are disposed to be spaced apart from each other at two positions, the adiabatic loss may be reduced, and the fear of failure due to the vacuum breakage may be reduced.
- [161] In this embodiment, since the heat exchange pipeline 117 is installed in the inner

space of the machine room, the machine room may be efficiently utilized, and the refrigerator may not increase in size, thereby more efficiently utilizing a space outside the refrigerator.

- [162] FIG. 15 is a more clear conceptual view of the embodiment of FIG. 14 with respect to a path of the heat exchange pipeline.
- [163] Referring to FIG. 15, the heat exchange pipeline 117 is disposed in the inner space of the machine room 8. The heat exchange pipeline 117 may perform heat exchange between the inlet pipe and the outlet pipe regardless of a thermal state of the machine room by the pipeline adiabatic case 302 and the pipeline adiabatic part 301.
- [164] According to the above-described constituents, the heat exchange pipeline 117 may sufficiently generate thermal energy between the condenser C and the evaporator E to reuse the thermal energy. Particularly, a distance between the evaporator E and the condenser C may decrease. Thus, an irreversible loss such as pressure drop due to the unnecessary pipeline length may be reduced to improve efficiency of the refrigeration system, and an additional component for the insulation of the unnecessary pipeline may not be required.
- [165] FIG. 16 is a perspective view of a case in which a product is applied to the embodiment proposed in FIG. 15.
- [166] Referring to FIG. 16, the pipeline adiabatic part 301 and the pipeline adiabatic case 302 are disposed in the machine room 8, and the heat exchange pipeline 117 is disposed in the pipeline adiabatic case 302. The heat exchange pipeline 117 may be bent in a zigzag shape and extend in a direction of a plane of the plate member to secure a path for the heat exchange.
- [167] The through sealing part 300 may pass through the vacuum adiabatic body, and the heat exchange pipeline 117 may pass through the inside of the through sealing part 300. Although the defrosting water pipeline passes through the through sealing part 300, this is not illustrated in the drawing.
- [168] The inlet pipe 171 providing one pipeline of the heat exchange pipeline 117 may be connected to the condenser 5 within the machine room as a capillary, and the outlet pipe 172 providing the other pipeline may be connected to the compressor 4 as a copper pipeline having a large diameter.
- [169] In the embodiment of FIG. 16, when a temperature distribution of the pipeline adiabatic part 301 is observed, a temperature of the through sealing part 300 is low, and also, a temperature gradually increases in a direction in which the heat exchange pipeline 117 extends to the inside of the pipeline adiabatic part 301. In detail, in FIG. 16, the temperature of a right lower portion of the pipeline adiabatic part 301 on which the through sealing part 300 is disposed may be the lowest, and a temperature of a left lower portion may be the highest. In the above-described thermal arrangement, an non-

uniform temperature distribution may occur in the pipeline adiabatic part 301 to deteriorate heat exchange efficiency of the heat exchange pipeline and significantly cause heat leakage.

[170] FIG. 17 is a view illustrating an arrangement of the heat exchange pipeline in which the above-described limitation is solved.

[171] Referring to FIG. 17, in the arrangement of the heat exchange pipeline 117, the through sealing part 330 may be disposed at a center of the heat exchange pipeline 117. A pipeline connected to the evaporator may move through the through sealing part 300. In the arrangement of the heat exchange pipeline 117, the other point at which the heat exchange pipeline 117 is connected to the outside of the pipeline adiabatic part 301 may be disposed at the outermost side. The heat exchange pipeline 117 may be wound while gradually increasing in diameter with respect to a center of the through sealing part 300. According to the above-described configuration, a temperature of a central portion of the heat exchange pipeline 117 may be the lowest, and a temperature may gradually increase toward the outside. Thus, the pipeline adiabatic part 301 may have a uniform temperature distribution to improve heat exchange efficiency of the heat exchange pipeline and reduce a heat loss.

[172] Since the inlet pipe and the outlet pipe generate a counter current flow in the heat exchange pipeline 117, a spacing part between the heat exchange pipelines 117 may be insulated by the pipeline adiabatic part 301 to prevent unnecessary heat exchange of the heat exchange pipeline from occurring.

[173] An arrow indicates a flow of an evaporated refrigerant flowing through the inside of the outlet pipe 172 that is withdrawn from the evaporator having a low temperature.

[174] In the embodiment of FIG. 17, an arrangement of a central portion having the lowest temperature (where a thermal influence of the outlet pipe 172 is most dominant) and the outermost portion having the highest temperature (where a thermal influence of the inlet pipe 171 is most dominant) may be optimized. In addition, the through sealing part 300 is disposed at the central portion, and the heat exchange pipeline 117 may be withdrawn to the outside while rotating and have a diameter that gradually increases. According to the arrangement of the heat exchange pipeline 117, the temperature distribution of the pipeline adiabatic part 301 may be radially uniform when viewed from the center. Thus, the heat exchange efficiency may be improved, and the heat leakage may be reduced.

[175] In the arrangement of the heat exchange pipeline of FIG. 17, to obtain the best efficiency, the pipeline adiabatic part 301 may be insulated.

[176] FIG. 18 is a cross-sectional view for explaining an adiabatic structure of the heat exchange pipeline provided in FIG. 17.

[177] Referring to FIG. 18, in the pipeline adiabatic part 301, the inner space of the

pipeline adiabatic case 302 may be filled in a manner such as polystyrene foaming. The pipeline adiabatic part 301 may be configured so that the inlet pipe 171 and the outlet pipe 172, which constitute the heat exchange pipeline 117, may accurately perform counter current heat exchange at a predetermined position. In addition, the heat exchange pipeline 117 may be wound so a diameter thereof increases toward the outside to achieve thermal equilibrium.

[178] Although the heat exchange pipeline 117 is wound to form one layer, the heat exchange pipeline 117 may be wound to form two layers or three layers.

[179] FIG. 19 is a view for explaining another example of the adiabatic structure of the heat exchange pipeline of FIG. 17.

[180] Referring to FIG. 19, the pipeline adiabatic part 301 may be provided in a vacuum state to provide a pipeline vacuum part 3011. A vacuum plate 3012 is additionally provided to a side of the second plate member 20 in the pipeline adiabatic case 302 to maintain the vacuum state within the pipeline vacuum part 3011. The vacuum plate 3012 may cover the through sealing part 300 to maintain sealing. As a result, the cold air within the refrigerator and an air pressure within the refrigerator may not have an influence on the pipeline vacuum part 3011.

[181] Hereinafter, the through sealing part 300 will be described.

[182] The through sealing part 300 may be a constitute that is installed at a point at which the heat exchange pipeline 117 passes through the vacuum adiabatic body and provided for prevent heat from being transferred to the inside and outside that are partitioned by the vacuum adiabatic body.

[183] FIG. 20 is a cross-sectional view illustrating a configuration of the through sealing part.

[184] Referring to FIG. 20, the vacuum space part 50 is provided in the spacing part between the plate members 10 and 20. A wrinkled conductive resistance sheet 63 illustrated in FIG. 8C may be provided at a portion through which the plate members 10 and 20 pass. The wrinkled conductive resistance sheet 63 may resist to thermal conduction between the plate members and prevent the members from being damaged by a pressure difference between a vacuum pressure and an atmospheric pressure. Both ends of the wrinkled conductive resistance sheet 63 may be welded to the plate members 10 and 20, and thermal conduction may be further prevented by the wrinkle.

[185] The heat exchange pipeline 117 passes through an inner space of the wrinkled conductive resistance sheet 63. Blocks 310 and 320 may be disposed on upper and lower ends of the heat exchange pipeline 117 to block opened portions. A sealing member 330 may be disposed in the blocks 310 and 320 to block a small ventilation that may be generated.

[186] The blocks may be made of a soft material having a low heat conductive coefficient.

The block may be made of a material having thermal conductivity less than that of each of the plate members 10 and 20 to resist to thermal conduction between the plate members.

- [187] Another member instead of the wrinkled conductive resistance sheet 63 in which a small a large amount of wrinkles having a small size are formed may be applied. For example, a flat thin plate-like member or an arc-shaped plate may be provided. A member connecting the through-part of the first plate member 10 to the through-part of the second plate member 20 to block vacuum leakage of the third space that is a vacuum space may be called a third plate member.
- [188] One surface of the third plate member may be supported by the block and the sealing member, and thus, heat transfer through the third plate may be blocked by the block and the sealing member.
- [189] The blocks will be described in detail.
- [190] The blocks may be provided as a pair of members, which perform the same function. Although any one member is described, the description may be equally applied to the other member and other embodiments.
- [191] An outer supporter 311, which contacts an outer surface of the first plate member 10 to seal a gap between the members is provided in the first block 310 provided at a side of the first plate member 10, i.e., in the inside of the refrigerator. The refrigerant pipe may be supported by a first surface disposed inside the outer supporter 311, and the through-part may be supported by a second surface disposed on a bottom surface of the outer supporter 311. The outer supporter 311 may serve to support the refrigerant pipe and perform an operation so that the block is supported by the through-part.
- [192] An inner pusher 312 having a size corresponding to a cross-sectional size of the wrinkled conductive resistance sheet 63 may be further provided inside the outer supporter 311.
- [193] The inner pusher 312 may compress a sealing member 330 to fill the inner space of the wrinkled conductive resistance sheet 63. The sealing member 330 may be made of a material that is curable after a predetermined time elapses as a fluid such as liquid silicon. According to the sealing member 330, the entire gap excluding the inner pushers 312 and 322 and the heat exchange pipeline 117 may be sealed in the inner space of the wrinkled conductive resistance sheet 63. A material having thermal conductivity less than that of the plate member may also be applied to the sealing member.
- [194] The description of the outer supporter 311 is similarly applied to the outer supporter 321 of the second block 320, and the description of the inner pusher 312 is similar for the inner pusher 322 of the second block 320.
- [195] The through sealing part having the above-described structure may shield a flow and heat transfer of a gas passing through the inside and the outside of the vacuum

adiabatic body even though the heat exchange pipeline 117 passes through the vacuum adiabatic body.

- [196] When the block blocks the thermal conduction between the refrigerant pipe and the third plate member and completely seal the refrigerant pipe and the third plate member so that air does not pass, the sealing member may be omitted. In this case, only the block may be called a sealing member. Here, when the block is initially applied, a synthetic resin having plasticity may be applied.
- [197] When the leakage of the cold air of the first space is not prevented by using only the block, the sealing member may be applied. In this case, both the block and the sealing member may be called a sealing member. Here, the block may mainly perform the blocking of the thermal conduction, and the sealing member may mainly perform the cold air leakage prevention.
- [198] The descriptions of the block and the sealing member may be equally applied to other embodiments with respect to the through sealing part.
- [199] FIGS. 21 and 22 are views illustrating a process of manufacturing the through sealing part.
- [200] First, referring to FIG. 21, the blocks 310 and 320 may be divided into one-side blocks 3101 and 3201 and the other side blocks 3102 and 3202. The first block 310 will be described as an example, and the same description will be equally applied to the second block 320.
- [201] The first block 310 has to be divided into one-side block 3101 and the other-side block 3102 to surround the heat exchange pipeline 117. When the first block 310 is provided as a single body, the first block may be inserted from an end of the heat exchange pipeline 117 so as to be guided to a proper position. However, it is not desirable because it causes difficulty in work. In FIG. 21, arrows indicate that one-side block 3101 and the other-side block 3102 are approaching to the heat exchange pipeline 117 to surround the heat exchange pipeline 117. Predetermined grooves 3103 and 3104 may be defined in the blocks so that the one-side block and the other-side block surround the heat exchange pipeline 117.
- [202] In the lower side of the drawing, dotted lines indicate the corresponding positions of a vertical cross-section and a horizontal cross-section, and a relative position of the heat exchange pipeline 117 and the blocks 310 and 320 may be understood together.
- [203] A sealing member 330 may be inserted as a fluid in the inner space of the wrinkled conductive resistance sheet 63. The sealing member 330 may be provided to surround an outer surface of the heat exchange pipeline 117. The sealing member 330 may prevent the heat exchange pipeline 117 from contacting the wrinkled conductive resistance sheet 63 to sufficiently perform the function of the thermal conductive resistance by the conductive resistance sheet. Thereafter, the blocks 310 and 320 are

pushed into the wrinkled conductive resistance sheet 63. Explanation will be given while changing the drawing.

- [204] Referring to FIG. 22, the first and second blocks 310 and 320 are inserted into the wrinkled conductive resistance sheet 63. An arrow indicates a moving direction of the block.
- [205] Since the first and second blocks 310 and 320 are inserted into the wrinkled conductive resistance sheet 63, the sealing member 330 may be deformed to move to the spacing part between the members so as to be filled into the spacing part. Here, the inner pushers 312 and 322 may perform a function of a plunger that pushes and compresses the sealing member 330.
- [206] When the blocks 310 and 320 are sufficiently inserted into the wrinkled conductive resistance sheet 63, the sealing member 330 may be filled into the spacing part between the grooves 3103 and 3104 of the blocks and the heat exchange pipeline 117. Since the heat exchange pipeline 117 are provided as a pair of pipes 171 and 172, it may be difficult to provide the grooves 3103 and 3104 so as to match outer appearances of the pipes 171 and 172. Due to this limitation, the occurrence of the gap between the groove and the heat exchange pipeline may be convenient in terms of production to prevent the gap between the groove and the heat exchange pipeline from occurring. The sealing member 330 may perform a role of an adhesive so that the blocks 310 and 320 are coupled to each other.
- [207] An arrow of FIG. 22 indicates that the inner pushers 312 and 322 push the sealing member 330 to seal the inside of the wrinkled conductive resistance sheet 63.
- [208] According to the through sealing part 300, the heat exchange pipeline 117 may perform the sealing on the inside and outside of a portion at which the heat exchange pipeline 117 passes through the vacuum adiabatic body, and heat transfer between the inside and the outside of the vacuum adiabatic body may be reduced.
- [209] The through sealing part 300 may block heat transferred through the through-part of the vacuum adiabatic body together with the pipeline adiabatic part 301. A mutual relationship between the through sealing part 300 and the pipeline adiabatic part 301 will be described by changing the drawing.
- [210] FIGS. 23 to 26 are views illustrating the mutual relationship between the through sealing part and the pipeline adiabatic part.
- [211] First, referring to FIG. 23, the pipeline adiabatic part 301 may provide a forward pipeline adiabatic part 341 having the through sealing part 300 at a center thereof and expanding in a forward direction along a plane of the plate member. The forward pipeline adiabatic part 341 may be preferably applied to the heat exchange pipeline of FIG. 17.
- [212] The forward pipeline adiabatic part 341 may be attached to the second block and/or

the second plate member 20 and/or the heat exchange pipeline 117 or be foamed into an inner space of a predetermined case.

- [213] Referring to FIG. 24, the pipeline adiabatic part 301 may provide a one-way pipeline adiabatic part 342 extending in one direction of the through sealing part 300. The one-way pipeline adiabatic part 342 may be preferably applied to the heat exchange pipeline of FIG. 16.
- [214] The one-way pipeline adiabatic part 341 may be attached to the second block and/or the second plate member 20 and/or the heat exchange pipeline 117 or be foamed into an inner space of a predetermined case.
- [215] Referring to FIG. 25, the pipeline adiabatic part 301 may provide a one-side adiabatic part 344 provided at one side along the heat exchange pipeline 117 apart from the through sealing part 300. The one-side adiabatic part 344 may be fixed to the block 320 and/or the heat exchange pipeline 117 and/or the second plate member.
- [216] The other space through which the heat exchange pipeline 117 passes may provide an opening adiabatic part 343 so that the other space is separated from the vacuum space and other spaces by the pipeline adiabatic case 302 to perform an adiabatic function.
- [217] Referring to FIG. 26, unlike the case of FIG. 26, the one-side adiabatic part 344 may be provided to be separated from the block 320. This case may be applied to a case in which additional heat exchange between the inlet pipe and the outlet pipe is required when the heat exchange performance of the heat exchange pipeline 117 is insufficient.
- [218] The cases of FIGS. 25 and 26 may be preferably applied to obtain the adiabatic effect as a simple constitute when the thermal insulation to the first plate member is required.
- [219] FIGS. 27 and 28 are views of a through sealing part according to another embodiment.
- [220] Referring to FIG. 27, this embodiment is different from the embodiment of FIG. 20 in that male and female blocks are engaged with each other, and the sealing member 330 is changed to a sealer such as an O-ring. The description related to FIG. 20 may be applied as it is without any specific explanation.
- [221] A first block 360 may be disposed at a side of a first plate member 10, and a second block 370 may be disposed at a side of a second plate member 20. Since the blocks 360 and 370 are similar to each other, one will be described, and the same description will be applied to other blocks as well.
- [222] In the first block 360, an outer supporter 361 is caught to be supported on the first plate member 10, and an inner insertion part 362 is further disposed inside the outer supporter 361 and then inserted into a wrinkled conductive resistance sheet 63. A first coupling part 363 is disposed at at least one point of the inside and outside of the inner insertion part 362.

- [223] An outer supporter 371 and the inner insertion part 372 are further disposed on the second block 370. A second coupling part 373 is disposed at at least one point of the inside and outside of the inner insertion part 372.
- [224] The outer supporters 361 and 371 are caught on outer surfaces of the plate members 10 and 20 to seal contact surfaces between the blocks and the plate members. Outer surface sealers 365 and 375 may be inserted into the contact surfaces of the blocks 360 and 370 and the plate members 10 and 20 to improve reliability of the sealing operation. Inner surface sealers 364 and 374 may be inserted into contact surfaces of inner surfaces of the outer supporters 361 and 371 and an outer surface of the heat exchange pipeline 117 to prevent a fluid from flowing to the inside and outside of the refrigerator. Each of the inner surface sealers 364 and 374 may have a cross-sectional shape similar to a shape of the outer surface of the heat exchange pipeline 117 to completely perform the sealing operation on the contact surfaces.
- [225] Each of the sealers may be made of rubber and provided in a manner in which an object made of an elastic material surrounds the outer surface of the block.
- [226] The coupling parts 363 and 373 may be provided as coupling units, which are disposed on surfaces corresponding to each other. For example, a female screw and a male screw may be provided to be coupled to each other by rotation thereof. The mutual contact surfaces of the sealers 364, 365, 374, and 375 may be sealed to approach each other by the coupling operation of the coupling parts 363 and 373.
- [227] The blocks 360 and 370 may be made of a rubber or plastic material and may not interrupt the action of the thermal conductive resistance of the wrinkled conductive resistance sheet 63. A spacing part between the wrinkled conductive resistance sheet 63 and the blocks 360 and 370 may be empty, or the sealing member 330 may be inserted into the spacing part to resist to the thermal conductive transfer and the flow of the fluid.
- [228] Referring to FIG. 28, although each of the blocks 360 and 370 is provided as one body, the two members may be integrated with each other in a state of being separated from each other like the embodiment of FIG. 20. After each of the blocks is provided as one body, the blocks 370 may be coupled to each other in a state of being coupled to the outer surface of the heat exchange pipeline 117 to complete the coupling of the through sealing part 330.
- [229] A direction of an arrow indicates a moving direction and a rotation direction of each of the blocks 360 and 370.
- [230] FIGS. 29 to 40 are views illustrating various embodiments in which the heat exchange pipeline is installed according to various refrigerators to which the vacuum adiabatic body is applied. For example, the refrigerator, which is illustrated in FIGS. 10, 12, and 14, has a shape in which a single vacuum adiabatic is partitioned into two

storage rooms by a partition wall. Here, cold air is supplied to the two storage rooms by a single evaporator. Hereinafter, an embodiment of the heat exchange pipeline according to various refrigerator types is presented. The configuration of the refrigerator which does not specifically describe the configuration of the refrigerator is assumed to be the same as the description already described.

- [231] In FIGS. 29 and 30, the single vacuum adiabatic body provides a single storage room, and the cold air is supplied to the single storage room by the single evaporator.
- [232] Referring to FIG. 29, the heat exchange pipeline 117 may be disposed outside the second plate member 20. Thus, the heat exchange pipeline 117 may be thermally insulated by the pipeline adiabatic part 301 and/or the pipeline adiabatic case 301.
- [233] A through sealing part 300 through which a refrigerant pipeline connecting the heat exchange pipeline 117 to the evaporator 7 may be provided. A defrosting water pipeline 352 for discharging defrosting water generated during an operation of the evaporator 7 may be further provided in the vacuum adiabatic body in addition to the through sealing part 300.
- [234] Referring to FIG. 30, the other parts are the same as those in FIG. 29, and the defrosting water pipeline 352 and the through sealing part 300 are shared. Particularly, not only the refrigerant pipeline passes through the single through sealing part 300 but also passes through the defrosting water pipeline 352.
- [235] In this embodiment, since the number of opening defined in the vacuum adiabatic body is reduced, the adiabatic loss may be more reduced, and also, the fear of the vacuum breakage may be reduced.
- [236] In this embodiment, since the heat exchange pipeline 117 is disposed in the inner space of the machine room 8, the space utilization may be more improved, the outer appearance of the refrigerator may be more simplified, and the refrigerator may be reduced in volume.
- [237] In FIGS. 31 to 33, a refrigerator providing at least two storage rooms in which a single vacuum adiabatic body is partitioned by a partition wall is provided. An evaporator is provided in each of the storage rooms to supply cold air into the at least two storage rooms.
- [238] Referring to FIG. 31, the heat exchange pipeline 117 may be disposed outside the second plate member 20. Thus, the heat exchange pipeline 117 may be thermally insulated by the pipeline adiabatic part 301 and/or the pipeline adiabatic case 301.
- [239] A through sealing part 300 through which a refrigerant pipeline connecting the heat exchange pipeline 117 to each of the evaporators 71 and 72 may be provided. A defrosting water pipeline 352 for discharging defrosting water generated during an operation of each of the evaporators 71 and 72 may be further provided in the vacuum adiabatic body in addition to the through sealing part 300. The defrosting water

pipeline 352 is configured so that defrosting water generated in the evaporators 71 and 72 flows together.

[240] The two evaporators may be provided to adjust an amount of refrigerant introduced into each of the evaporators according to capacity that is required for each of the evaporators. For this, a refrigerant distribution part 401 may be provided at a rear end of a condenser 5. The refrigerant distributed in the refrigerant distribution part 401 may be heat-exchanged by the heat exchange pipeline 117 and then introduced into each of the evaporators 71 and 72.

[241] The refrigerant evaporated in the evaporators 71 and 72 may be combined in a refrigerant combining part 402 and then perform heat exchange in the heat exchange pipeline 117. The refrigerant combining part 402 may be provided at any point within the refrigerator. Since the inlet pipe 172 constituting the refrigerant combining part 402 has a pipeline having a large diameter, it is not preferable that the two outlet pipes 172 pass through the through sealing part 300 because a cross-sectional area of the through sealing part 300 increases. Thus, the refrigerant combining part 402 may be provided inside the vacuum adiabatic body, i.e., at any point within the refrigerator.

[242] On the other hand, since the inlet pipe 171 is a capillary, the two pipelines may pass together through the through sealing part 300. Also, since a separate control of the amount of heat exchange is desired for an individual control of the refrigerant, the two inlet pipes may individually pass through the through sealing part 300.

[243] In this embodiment, the refrigerator may be preferably applied when the independent control of the storage rooms is required.

[244] Referring to FIG. 23, this embodiment is different from the foregoing embodiments in that the heat exchange pipeline 117 is disposed inside the partition wall 350, like the embodiment of FIG. 12.

[245] According to this embodiment, in addition to the feature of the embodiment of FIG. 31, it is unnecessary to separately provide the pipeline adiabatic part 301 and the pipeline adiabatic case 302 outside the refrigerator. Thus, the outer spaces of the refrigerator may be more efficiently utilized. In addition, since the adiabatic constituents of the partition wall 350 are used together with the adiabatic constituents of the heat exchange pipeline 117, the space utilization of the inner space of the refrigerator may be improved.

[246] In this embodiment, the refrigerant combining part 402 may be provided inside the partition wall.

[247] Referring to FIG. 33, this embodiment is different from the foregoing embodiments in that the heat exchange pipeline 8 is disposed inside the partition wall 117, like the embodiment of FIG. 14. In this embodiment, the refrigerant combining part 402 may be provided in a space within the refrigerator.

- [248] According to this embodiment, in addition to the feature of the embodiment of FIG. 31, the defrosting water pipeline 352 and the through sealing part 300, which are required for driving the evaporators 71 and 72, may be achieved by a single through-structure. That is to say, two inlet pipes 171, outlet pipes 172, and defrosting water pipelines 352 may pass together through the single through sealing part 300 through which the vacuum adiabatic body passes. Thus, according to another embodiment, since the single through-part sufficiently serves as the through-parts, which are disposed to be spaced apart from each other at two positions, the adiabatic loss may be reduced, and the fear of failure due to the vacuum breakage may be reduced.
- [249] In this embodiment, since the heat exchange pipeline 117 is installed in the inner space of the machine room, the machine room may be efficiently utilized, and the refrigerator may not increase in size, thereby more efficiently utilizing a space outside the refrigerator.
- [250] In this embodiment, since the number of opening defined in the vacuum adiabatic body is reduced, the adiabatic loss may be more reduced, and also, the fear of the vacuum breakage may be reduced.
- [251] In FIGS. 34 to 36, a refrigerator providing at least two storage rooms in which a single vacuum adiabatic body is partitioned by a partition wall is provided. An evaporator is provided in each of the storage rooms to supply cold air into the at least two storage rooms. Thus, the refrigerator may have a shape similar to that illustrated in FIGS. 31 and 33. However, the refrigerators are different from each other in that two compressors are provided to enhance compression efficiency and achieve a higher pressure. Since the two compressors are provided, it is possible to positively cope with the refrigerant of the two evaporators.
- [252] An embodiment of FIGS. 34 to 36 is the same as that of FIGS. 31 to 33 except for a configuration related to a compressor, and thus, the relevant description is applied as it is.
- [253] Referring to FIG. 34, the refrigerator according to this embodiment may be preferably applied when an independent control of each of storage rooms is required, and a compressor 501 of a low pressure part and a compressor 502 of a high pressure part are provided in series. The two compressors 501 and 502 may reach a higher pressure and supply sufficient cooling power to the two evaporators 71 and 72.
- [254] Referring to FIG. 35, the refrigerator according to this embodiment may have improved space utilization. In addition, the compressor 501 of the low pressure part and the compressor 502 of the high pressure part may be provided in series. The two compressors 501 and 502 may reach a higher pressure and supply sufficient cooling power to the two evaporators 71 and 72.
- [255] Referring to FIG. 36, in the refrigerator according to this embodiment, since the

number of opening defined in the vacuum adiabatic body is reduced, the adiabatic loss may be more reduced, and also, the fear of the vacuum breakage may be reduced. In addition, the compressor 501 of the low pressure part and the compressor 502 of the high pressure part may be provided in series. The two compressors 501 and 502 may reach a higher pressure and supply sufficient cooling power to the two evaporators 71 and 72.

- [256] In FIGS. 37 and 38, a refrigerator having a plurality of single storage rooms constituted by a single vacuum adiabatic body is provided. Here, a single evaporator may supply cool air to each of the corresponding single storage room. In this embodiment, each of the storage rooms may operate in a different thermal state so that the refrigerator operates in various configurations. A refrigerator system illustrated in FIGS. 29 and 30 may be applied in a redundant manner, and thus, the same description will be applied to the this embodiment as well.
- [257] Referring to FIG. 37, the refrigerator illustrated in FIG. 29 may be viewed as a structure in which the refrigerator is stacked on both the upper and lower sides. Each of the storage rooms of the refrigerator is provided in different temperature states so as to be adapted for the needs of the consumer.
- [258] Referring to FIG. 38, the refrigerator illustrated in FIG. 30 may be viewed as a structure in which the refrigerator is stacked on both the upper and lower sides. Each of the storage rooms of the refrigerator may be also provided in different temperature states so as to be actively adapted for the needs of the consumer.
- [259] The storage rooms of FIGS. 37 and 38 may be used in combination with each other. For example, in one of the refrigerators, the heat exchange pipeline 117 is located in the machine room, In the other refrigerator, the heat exchange pipeline 117 may be placed on the outer rear surface of the vacuum adiabatic body 117.
- [260] In FIG. 39, the refrigerator includes at least two vacuum adiabatic bodies. Each of the at least two vacuum adiabatic bodies provides a storage room. Thus, the refrigerator may include at least two storage rooms. Particularly, this embodiment is different from the foregoing embodiment in that cold air is supplied to all of the at least two storage rooms by a single evaporator.
- [261] Referring to FIG. 39, a first main body 601 and a second main body 602, which are provided as the vacuum adiabatic bodies, are provided. Each of the main bodies 601 and 620 may be selectively opened and closed by doors, respectively.
- [262] The necessary constituents for the refrigeration system such as the compressor 4, the condenser 5, the evaporator 7, the heat exchange pipeline 117, and the defrosting water pipeline 352 are provided around the second body 602 . The heat exchange pipeline 117 may be withdrawn to the outside by passing through the vacuum adiabatic body through the through sealing part 300. The cold air may be directly supplied from the

evaporator 7 to the inside of the second main body 602 the refrigerator.

[263] The first main body 601 and the second main body 602 may communicate with each other by a cold air passage 351. The cold air passage 351 may be provided as two passages for supplying and collecting the cold air to sufficiently supply the cold air. The cold air passage 351 may be provided as a passage that passes through each of the main bodies 601 and 602 and connect the main bodies 601 and 602 to each other.

[264] According to this embodiment, the refrigeration system in which the single heat exchange pipeline 117 is provided may provide cold air to the two vacuum adiabatic bodies. Each of the vacuum adiabatic bodies provides a storage room, and each of the storage rooms may operate without any temperature interference therebetween.

[265] In the embodiment of FIG. 40, the refrigerator includes at least two vacuum adiabatic bodies. Each of the at least two vacuum adiabatic bodies provides a storage room. Thus, the refrigerator may include at least two storage rooms. Particularly, this embodiment is different from the foregoing embodiment in that cold air provided in one refrigeration system is supplied to each of the at least two storage rooms by the evaporator. The this embodiment is different from the embodiment of FIG. 39 in that an evaporator is provided in each of storage rooms, and others are the same. Thus, the description of FIG. 39 will be applied as it is without any specific explanation.

[266] Referring to FIG. 39, to supply the refrigerant to the two evaporators 71 and 72, a refrigerant distribution part 401 and a refrigerant combining part 402 are provided. An evaporator is provided inside each of the main bodies 601 and 602 to supply cool air to the corresponding storage room.

[267] A through sealing part 300 may be provided at fixed facing positions of the first main body 601 and the second main body 602 so that the inlet pipe and the outlet pipe connected to the first evaporator 71 pass through the first main body 601 and the second main body 602.

[268] According to this embodiment, the refrigeration system in which the single heat exchange pipeline 117 is provided may provide cold air to the two vacuum adiabatic bodies. Since each of the vacuum adiabatic bodies not only provides the storage room, but also the evaporator is provided in each of the storage rooms, an influence of the interference of each storage chamber may be removed, and the storage rooms may be completely independently used.

Industrial Applicability

[269] According to the embodiments, when the vacuum adiabatic body is used, since the essentially used heat exchange pipeline is disposed in the outer space, which is not related to the vacuum, the interference between the vacuum space part and the heat exchange pipeline may be removed to expect the further effect on the actual commer-

cialization.

[270] In more detail, there are the effects of reducing the heat loss due to the reduction of the number of through-parts, improving the convenience of the work, and reducing the fear of the vacuum breakage.

Claims

[Claim 1]

A refrigerator comprising:
at least one main body having at least one first space in which storage goods are stored; and
a door configured to open and close the at least one main body from a second space,
wherein, in order to supply a refrigerant into a cavity, the refrigerator comprises:
a compressor disposed in a machine room to compress a refrigerant;
a condenser disposed in the second space to condense a compressed refrigerant;
an expansion device configured to expand the condensed refrigerant;
an evaporator disposed in the first space, the evaporator evaporating an expanded refrigerant to dissipate heat; and
a refrigerant pipe configured to connect the evaporator to the condenser,
wherein the main body is provided by a vacuum adiabatic body, and the vacuum adiabatic body comprises:
a first plate member configured to define at least a portion of a wall for the first space;
a second plate member configured to define at least a portion of a wall for the second space;
a sealing part configured to seal the first plate member and the second plate member so as to provide a third space that has a temperature between a temperature of the first space and a temperature of the second space and is a vacuum space;
a supporting unit configured to maintain the vacuum space part;
a heat resistance unit configured to reduce heat transfer between the first plate member and the second plate member;
an exhaust port through which a gas of the vacuum space part is exhausted; and
a through-part which is provided in at least one of the first plate member or the second plate member and through which the refrigerant pipe passes;
wherein the vacuum adiabatic body further comprises a sealing member configured to accommodate the refrigerant pipe, coupled to at least one of the first plate member or the second plate member, and made of a

- material having thermal conductivity less than that of each of the first plate member and the second plate member.
- [Claim 2] The refrigerator according to claim 1, wherein a first surface of the sealing member supports the refrigerant pipe, and a second surface that is separated from the first surface is supported by the through-part.
- [Claim 3] The refrigerator according to claim 1, further comprising a third plate member configured to seal the third space so as to prevent vacuum of the third space from leaking.
- [Claim 4] The refrigerator according to claim 3, wherein the third plate member comprises a conductive resistance sheet having a thin plate shape.
- [Claim 5] The refrigerator according to claim 3, wherein the sealing member comprises:
a block supported by at least one of the first plate member or the second plate member; and
a sealing unit disposed in a gap between the block and the third plate member.
- [Claim 6] The refrigerator according to claim 1, wherein at least a portion of the block is inserted into an internal space provided by the third plate.
- [Claim 7] The refrigerator according to claim 1, wherein the sealing member seals the first space and the second space to prevent cold air of the first space from leaking.
- [Claim 8] The refrigerator according to claim 7, wherein the sealing member comprises:
a first block supported by the first plate member; and
a second block supported by the second plate member, the second block being directly or indirectly coupled to the first block.
- [Claim 9] The refrigerator according to claim 8, further comprising a sealing unit configured to couple the first block to the second block and seal the first space and the second space.
- [Claim 10] The refrigerator according to claim 8, wherein the first block and the second block are screw-coupled to each other.
- [Claim 11] The refrigerator according to claim 8, wherein a sealer is interposed into at least one of a portion at which at least one of the first block or the second block and the heat exchange pipeline contact each other and a portion at which at least one of the first block or the second block and the plate member contact each other.
- [Claim 12] The refrigerator according to claim 8, wherein at least one of the first block or the second block is provided so that one-side member and the

other-side member are coupled to each other with respect to the refrigerant pipe.

[Claim 13]

The refrigerator according to claim 1, wherein the refrigerant pipe comprises a heat exchange pipeline in which an inlet pipe through which the refrigerant is introduced into the evaporator and an outlet pipe through which the refrigerant is discharged from the evaporator are heat-exchanged with each other.

[Claim 14]

A vacuum adiabatic body comprising:
a first plate member configured to define at least a portion of a wall for a first space;
a second plate member configured to define at least a portion of a wall for a second space having a temperature different from that of the first space;
a sealing part configured to seal the first plate member and the second plate member so as to provide a third space that has a temperature between a temperature of the first space and a temperature of the second space and is a vacuum space;
a supporting unit configured to maintain the third space;
a heat resistance unit configured to reduce heat transfer between the first plate member and the second plate member;
an exhaust port through which a gas of the third space is exhausted;
a refrigerant pipe passing through a through-part of the first plate member and a through-part of the second plate member to allow a refrigerant to move between the first space and the second space; and
a through sealing part configured to accommodate the refrigerant pipe therein, the through sealing part being configured to seal the pair of through-parts so as to prevent cold air from being conducted between the first space and the second space.

[Claim 15]

The vacuum adiabatic body according to claim 14, further comprising a block supported by the first plate member and the second plate member so as to be fixed in position and made of being a material having thermal conductivity less than that of each of the first plate member and the second plate member.

[Claim 16]

The vacuum adiabatic body according to claim 14, wherein the pair of through-parts are disposed to be closed to each other.

[Claim 17]

The vacuum adiabatic body according to claim 14, wherein the through sealing part comprises:
a third plate member configured to seal the third space; and

a block supported by at least one of the first plate member or the second plate member and made of being a material having thermal conductivity less than that of each of the first plate member and the second plate member.

[Claim 18] The vacuum adiabatic body according to claim 14, further comprising a sealing unit disposed between the pair of through-parts to prevent cold air of the first space from leaking to the second space.

[Claim 19] A refrigerator comprising:
at least one main body having at least one first space in which storage goods are stored; and
a door configured to open and close the at least one main body from a second space,
wherein, in order to supply a refrigerant into a cavity, the refrigerator comprises:
a compressor disposed in a machine room to compress a refrigerant;
a condenser disposed in the second space to condense a compressed refrigerant;
an expansion device configured to expand the condensed refrigerant;
an evaporator disposed in the first space, the evaporator evaporating an expanded refrigerant to dissipate heat; and
a refrigerant pipe configured to connect the evaporator to the condenser,
wherein the main body is provided by a vacuum adiabatic body, and the vacuum adiabatic body comprises:
a first plate member configured to define at least a portion of a wall for the first space;
a second plate member configured to define at least a portion of a wall for the second space;
a sealing part configured to seal the first plate member and the second plate member so as to provide a third space that has a temperature between a temperature of the first space and a temperature of the second space and is a vacuum space;
a supporting unit configured to maintain the vacuum space part;
a heat resistance unit configured to reduce heat transfer between the first plate member and the second plate member;
an exhaust port through which a gas of the vacuum space part is exhausted; and
a through-part which is provided in at least one of the first plate

member or the second plate member and through which the refrigerant pipe passes,

wherein the vacuum adiabatic body further comprises a pipe-shaped sealing member configured to accommodate the refrigerant pipe, the sealing member being made of a material having thermal conductivity less than that of each of the first plate member and the second plate member,

the sealing member is supported by at least one of the first plate member or the second plate member and prevents cold air of the first space from leaking to the second space, and

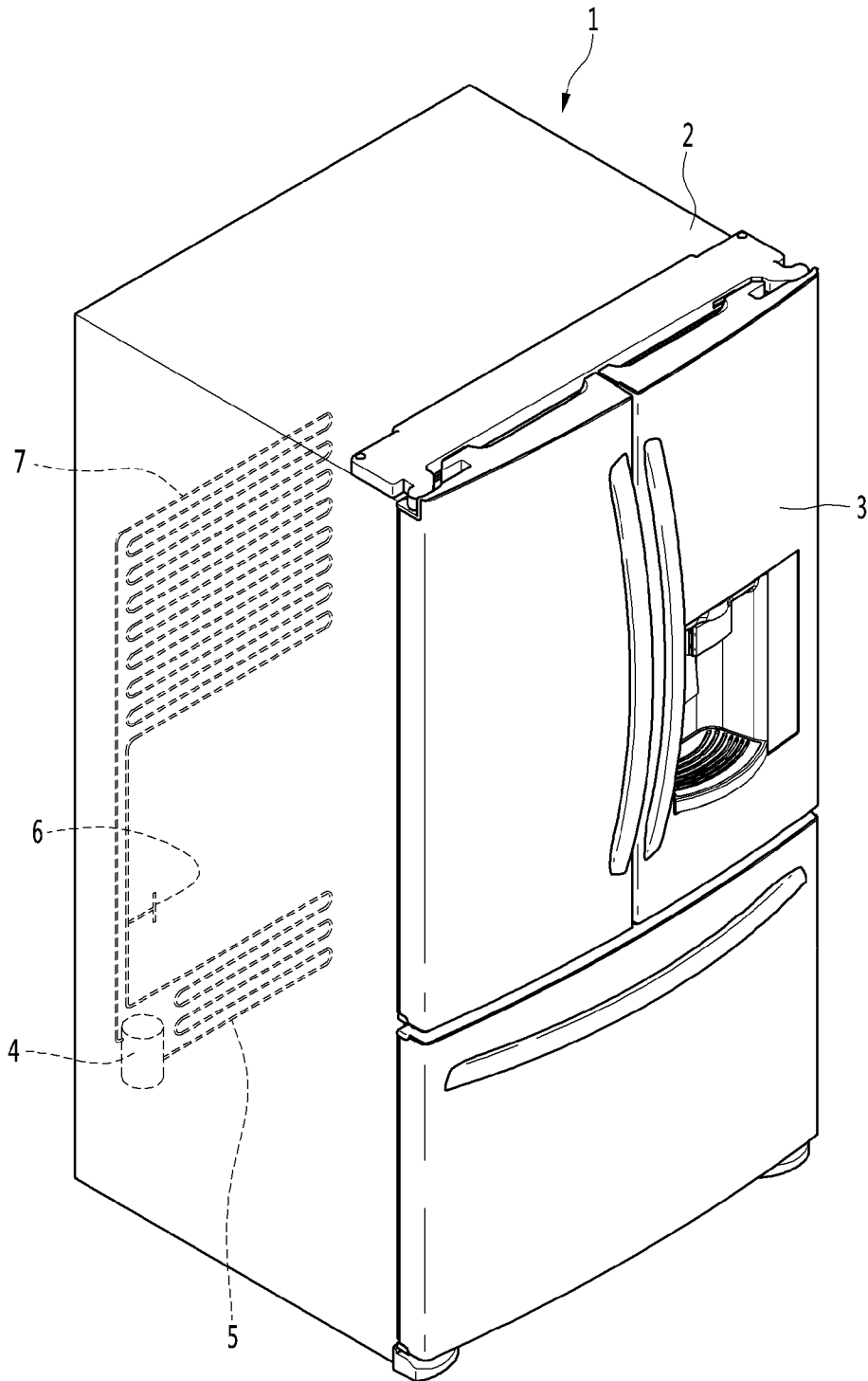
the sealing member allows the refrigerant pipe to be spaced apart from the first plate member and the second plate member.

[Claim 20]

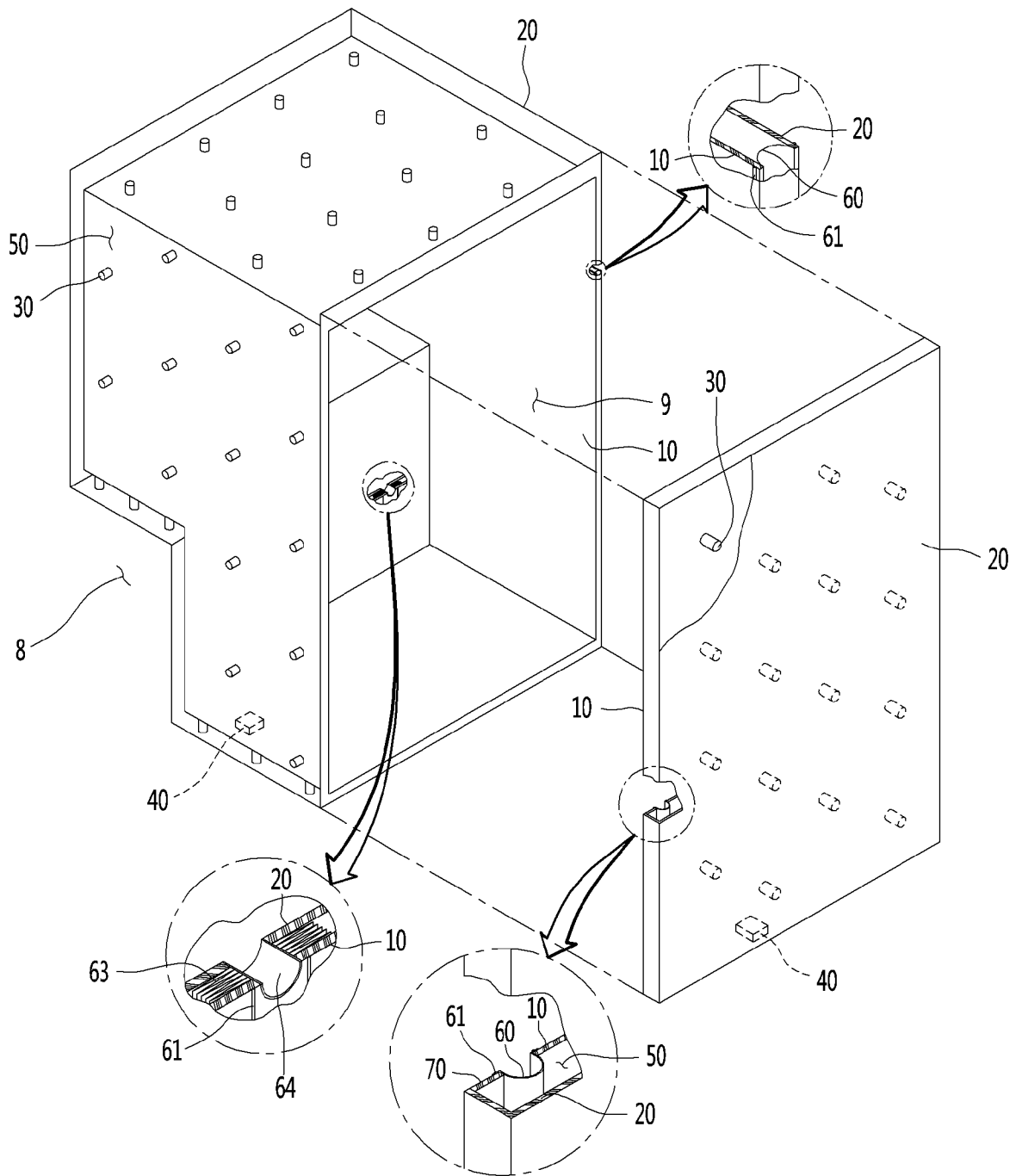
The refrigerator according to claim 19, wherein the sealing member comprises a pair of blocks respectively supported by the plate members, and

the blocks are directly or indirectly coupled to each other.

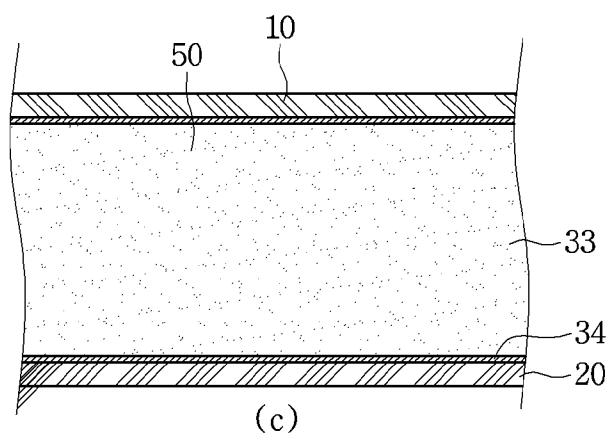
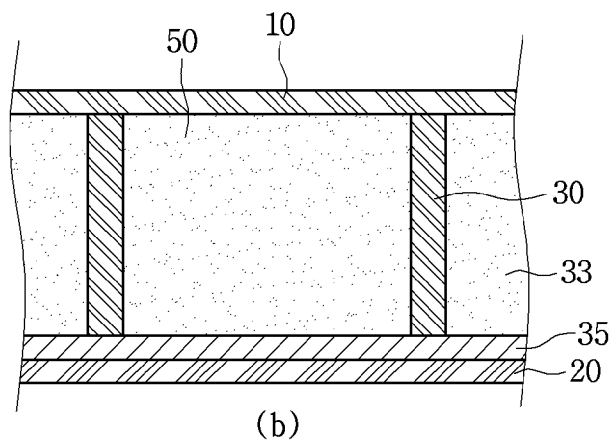
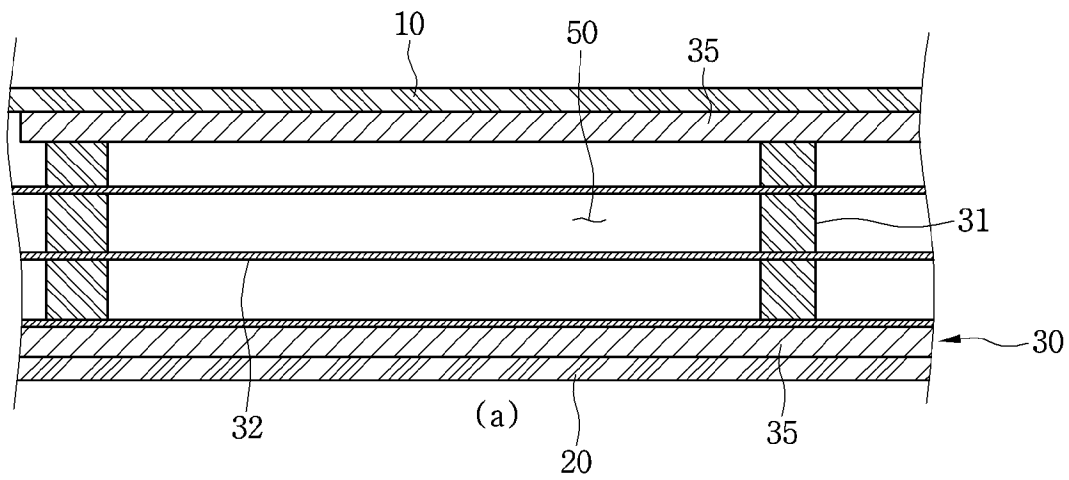
[Fig. 1]



[Fig. 2]



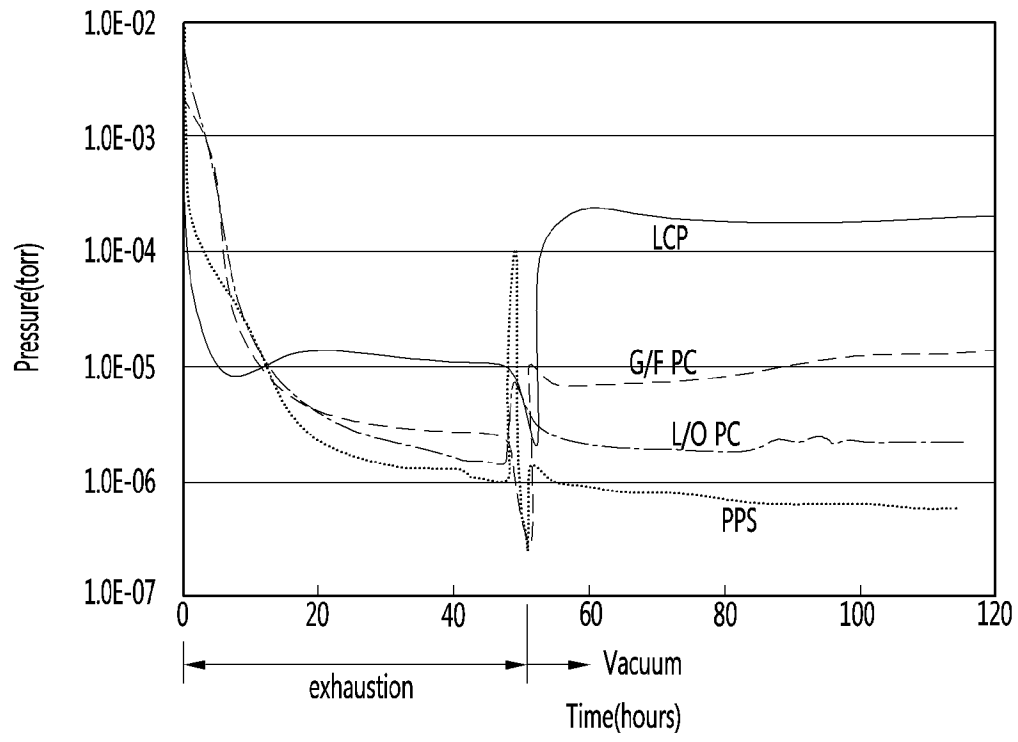
[Fig. 3]



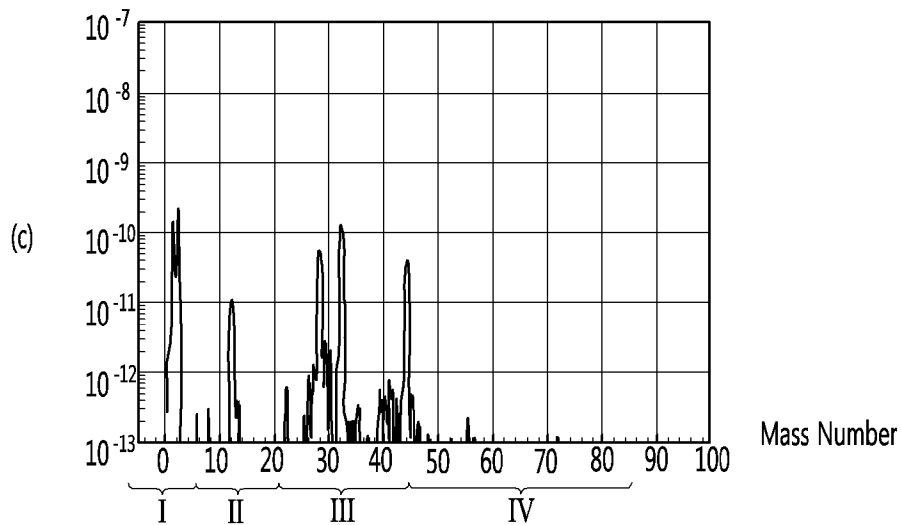
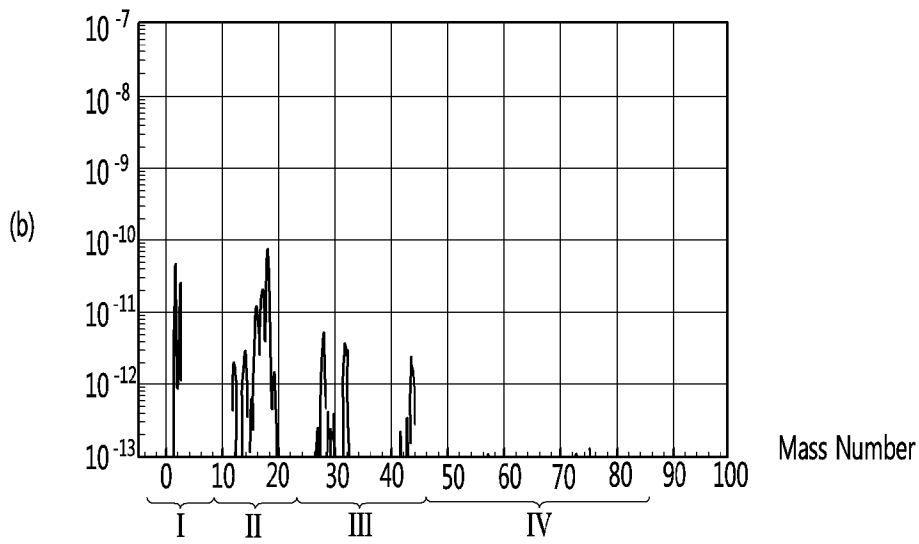
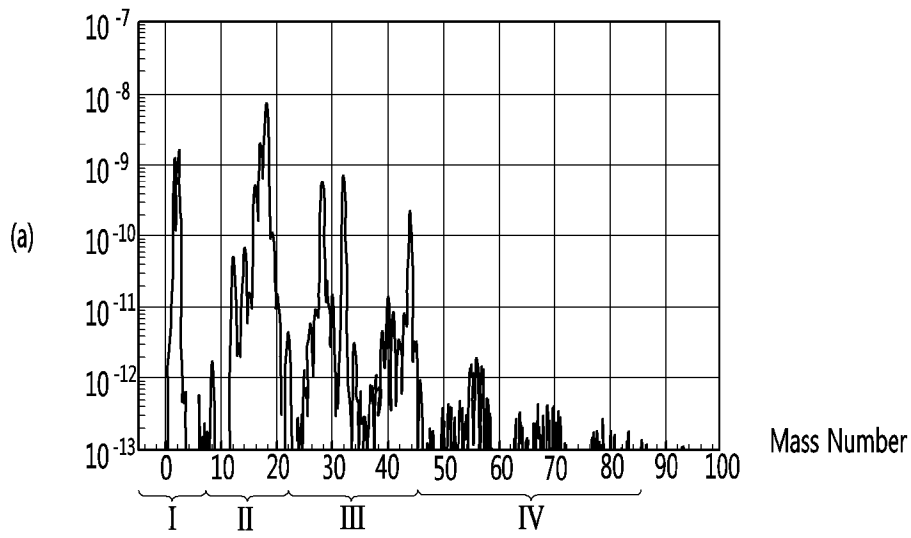
[Fig. 4]

Group	General plastic					Engineering plastic			
	(HD)PE *G-Plastic Reference	PC	Glass fiber PC (30% Glass-F)	*Low outgassing PC	PCTFE	PPS	LCP	PEEK	
Out-gassing rate	TML(%) 0.58	0.19	0.14	No Data	0.01	0.06	0.06	0.26	
Compressive Strength	MPa 31.7	82.8	124.1	*80.6	37.9	107.0	* 151.1	137.9	
Thermal Conductivity	W/m-k <0.40	0.18	0.18	0.18	0.20	0.3	0.36 (G/F 50%)	0.25	
Strength /Cond.	MPa-m-k/W 79	460	689	448	189	357	420	552	
Heat Deflection Temp at 264 psi	°C 80	132	146	125	126	121	105 ~ 260	160	
Max Operating Temperature	°C 82	121	132	No Data	132	218	No Data	249	
*Cost(per 1kg)	Low	\$ 3.1	\$ 6.2(G/F20%)	\$ 6.7	High	\$ 30	\$ 40	\$ 150	

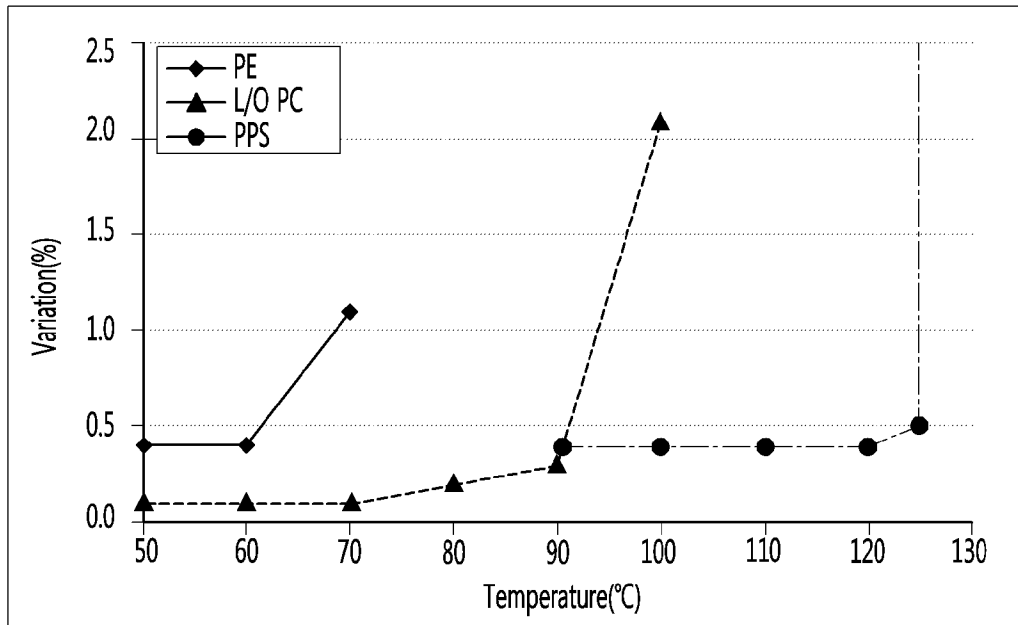
[Fig. 5]



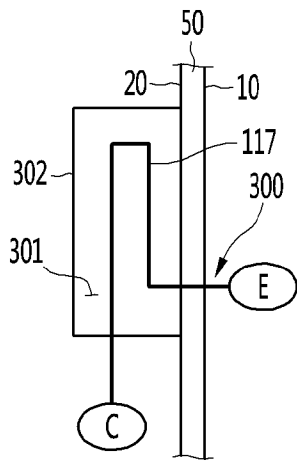
[Fig. 6]



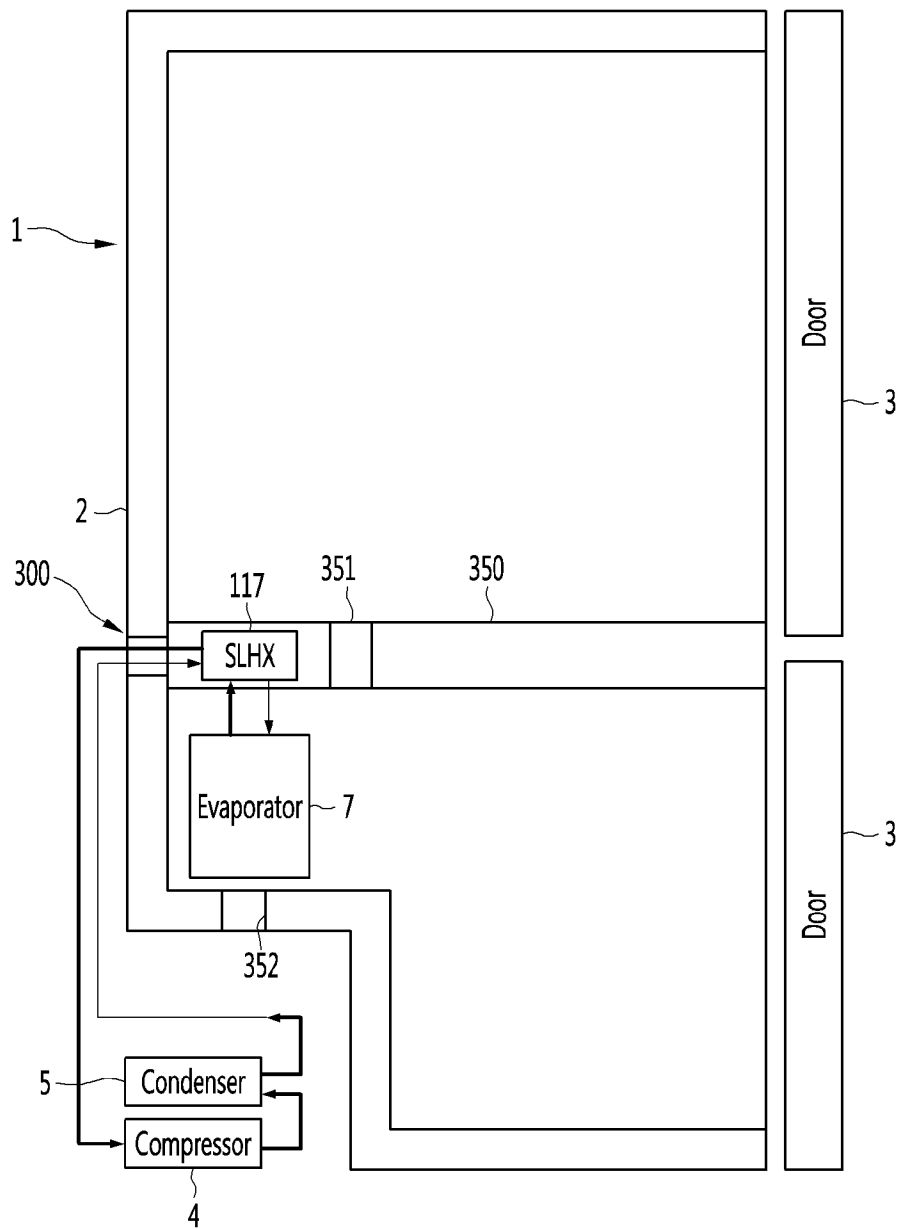
[Fig. 7]



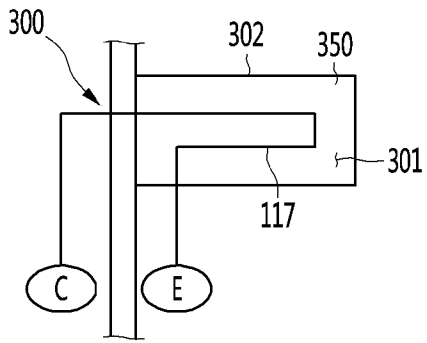
[Fig. 11]



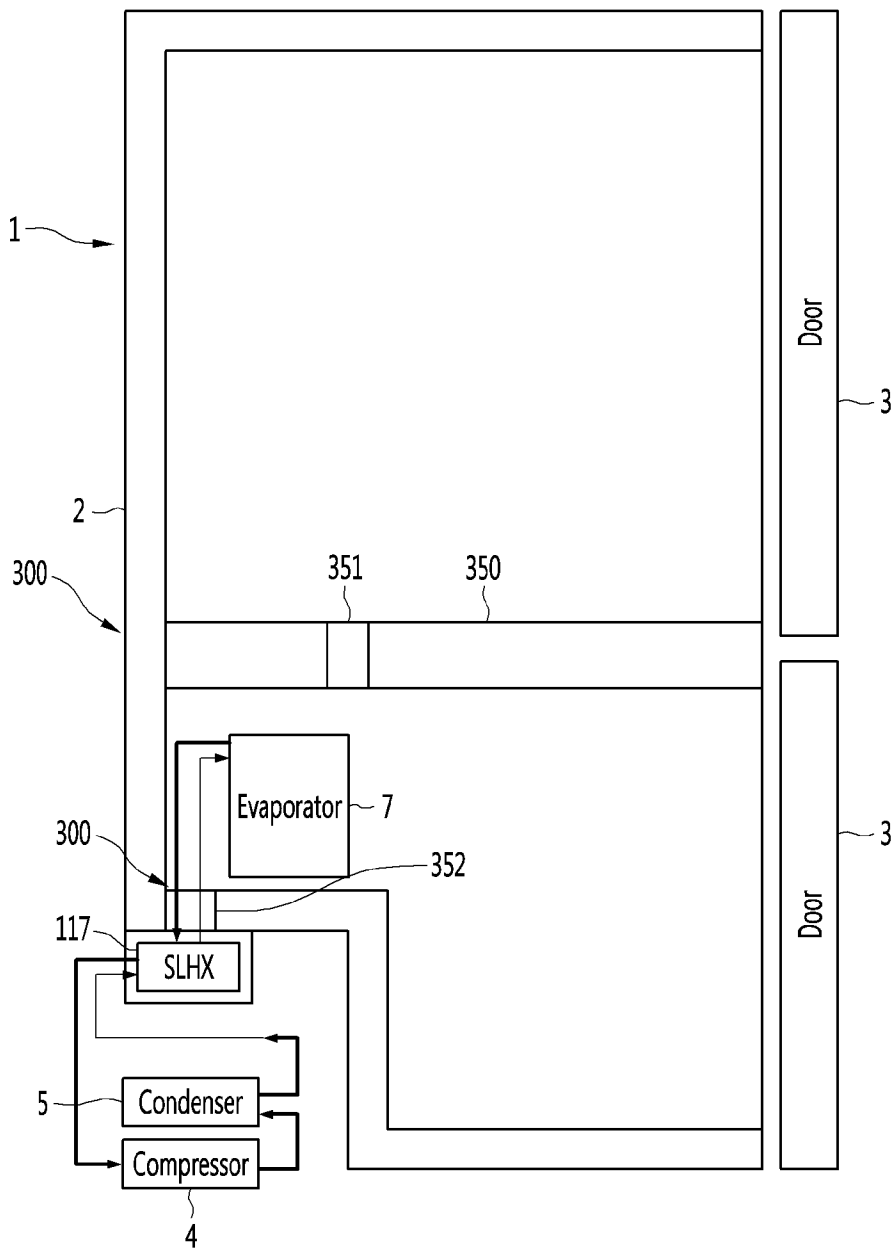
[Fig. 12]



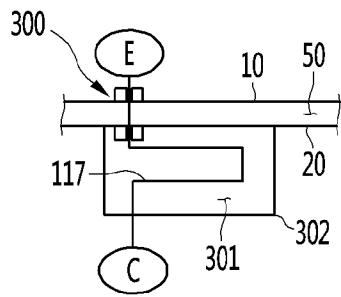
[Fig. 13]



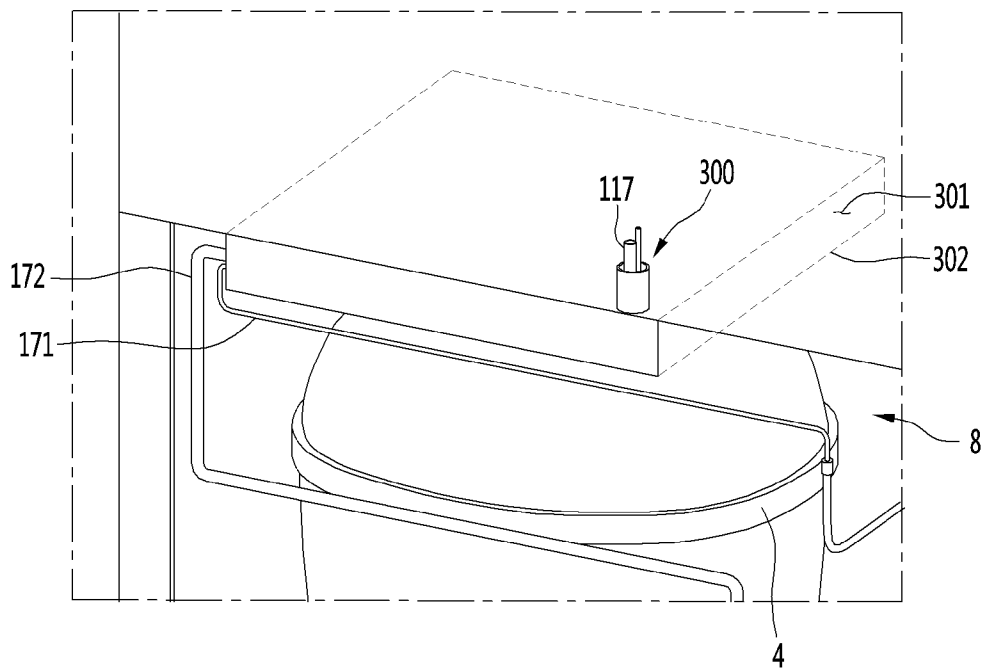
[Fig. 14]



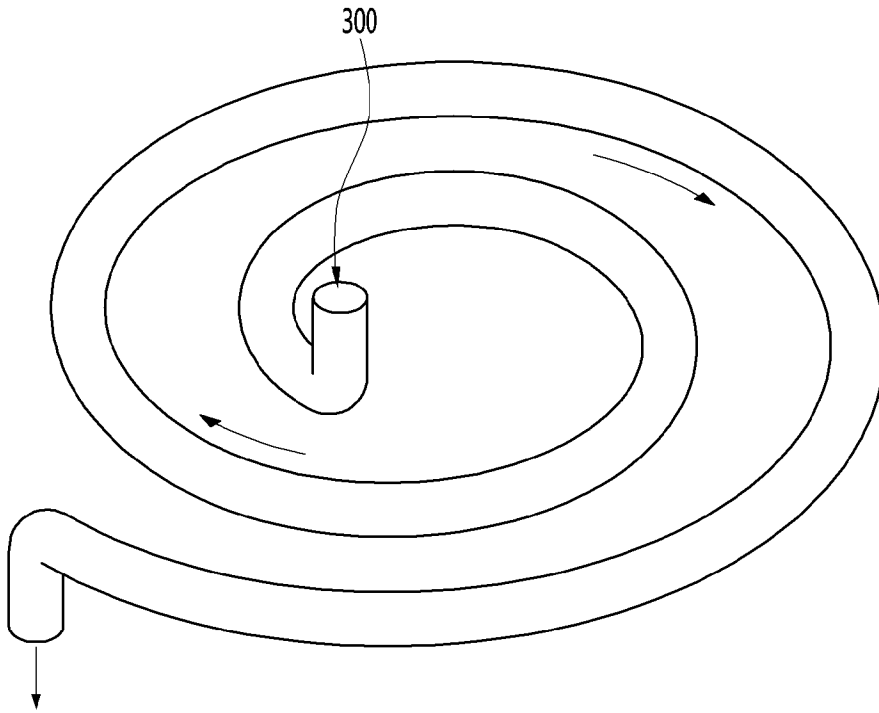
[Fig. 15]



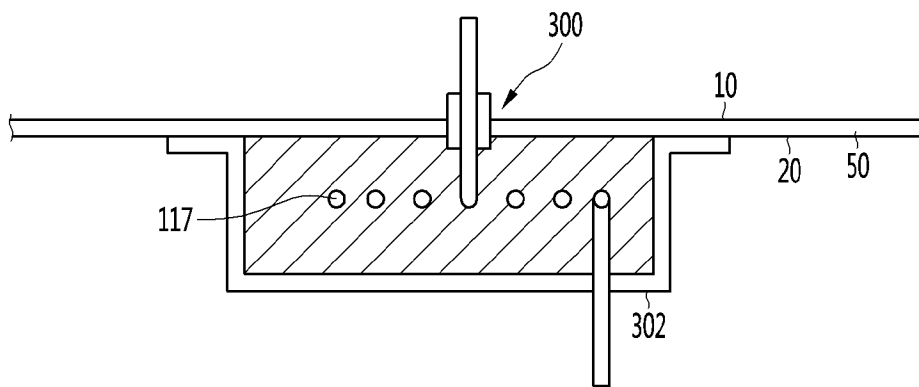
[Fig. 16]



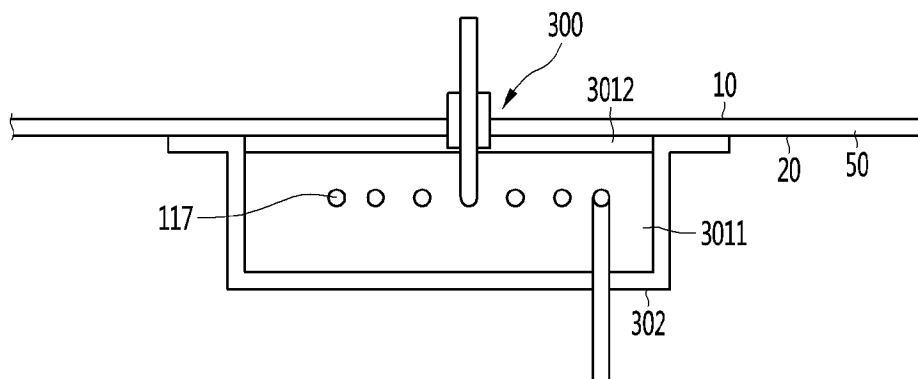
[Fig. 17]



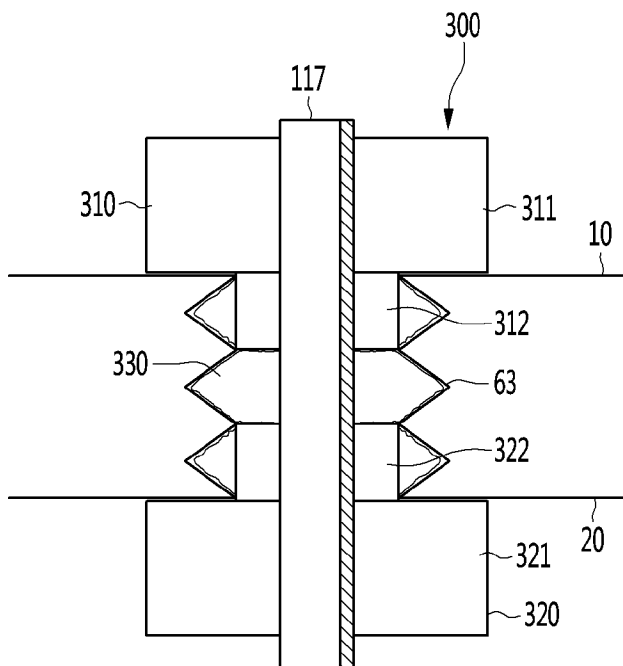
[Fig. 18]



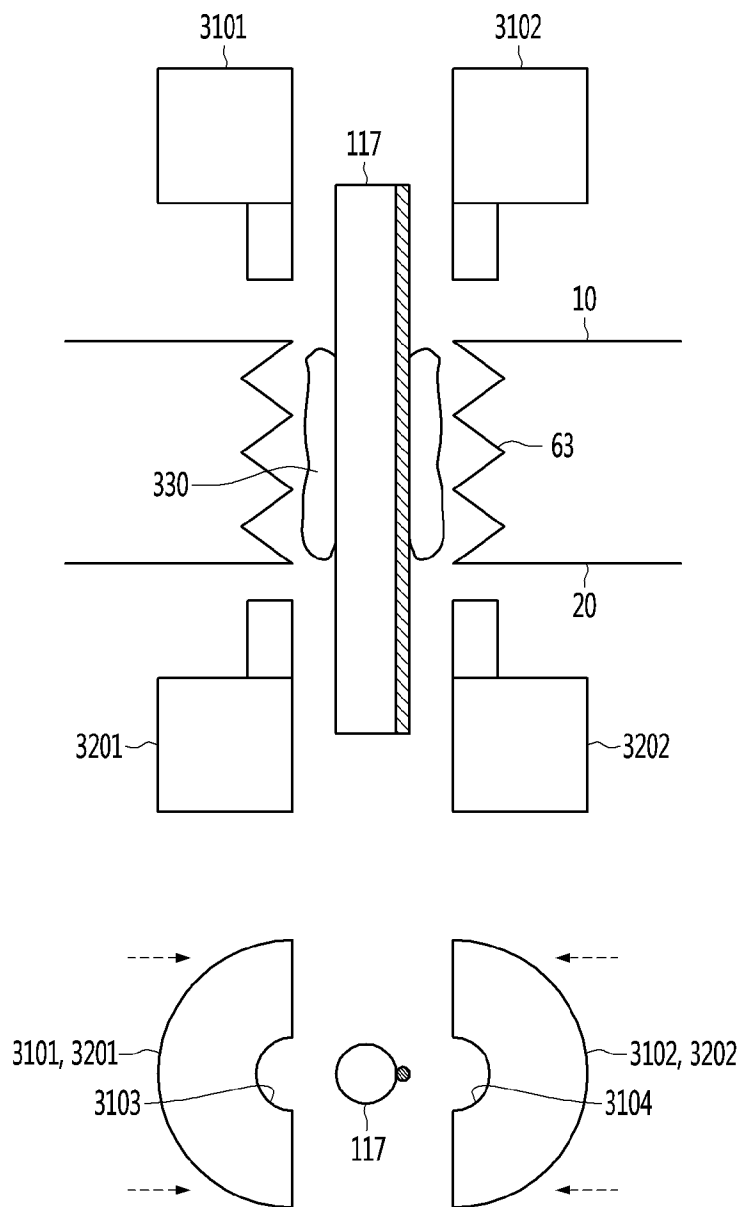
[Fig. 19]



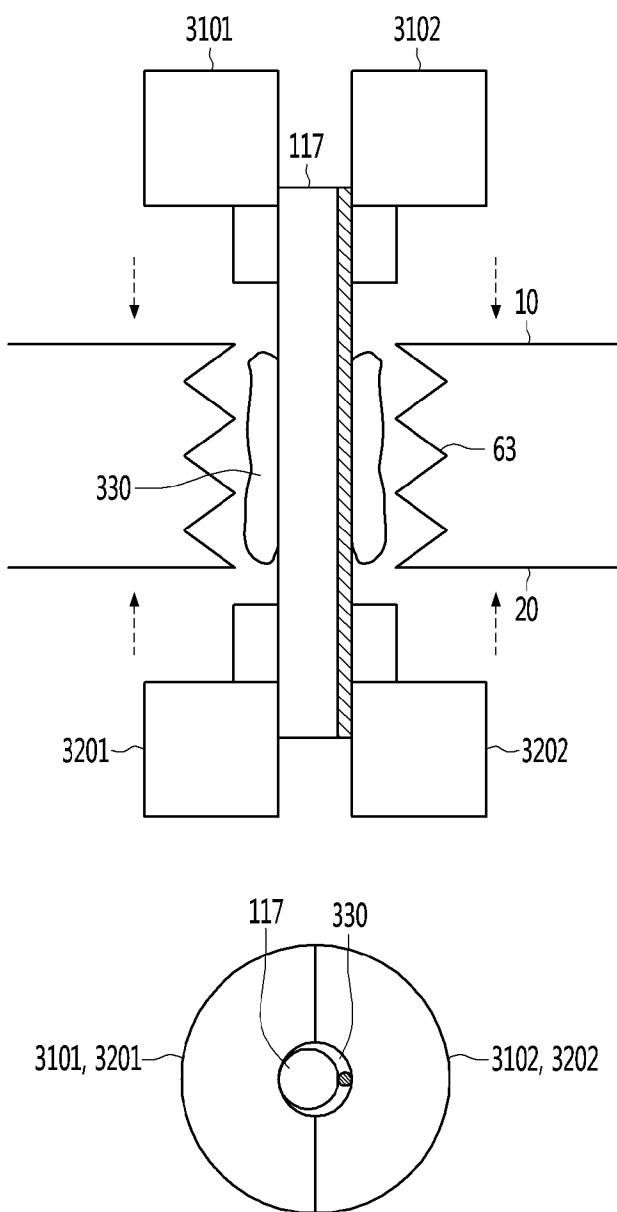
[Fig. 20]



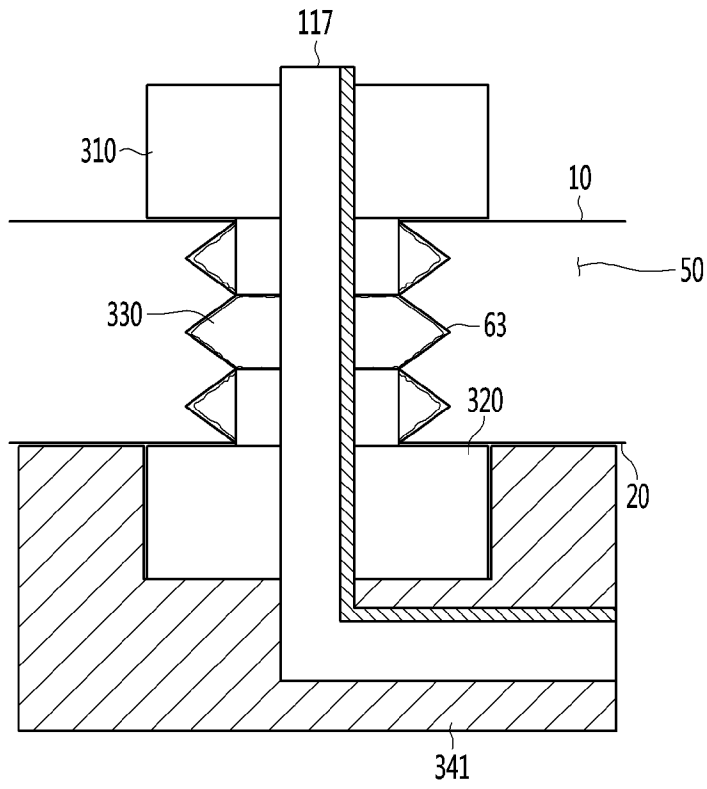
[Fig. 21]



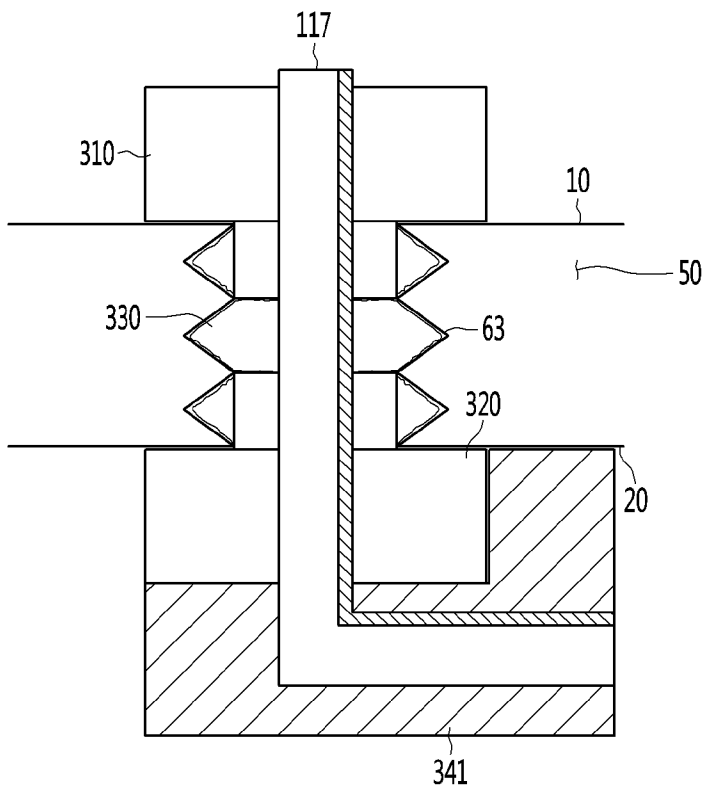
[Fig. 22]



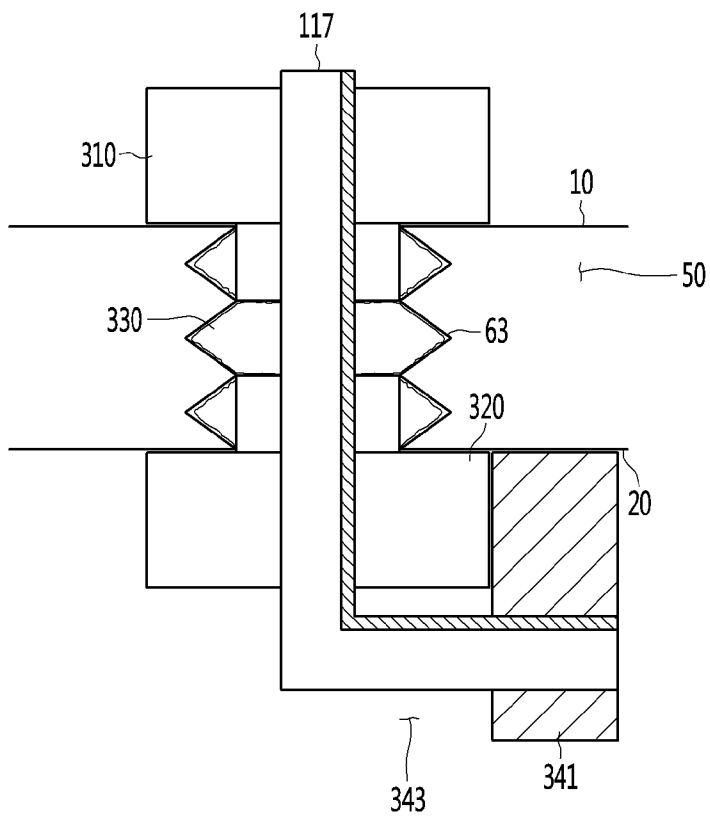
[Fig. 23]



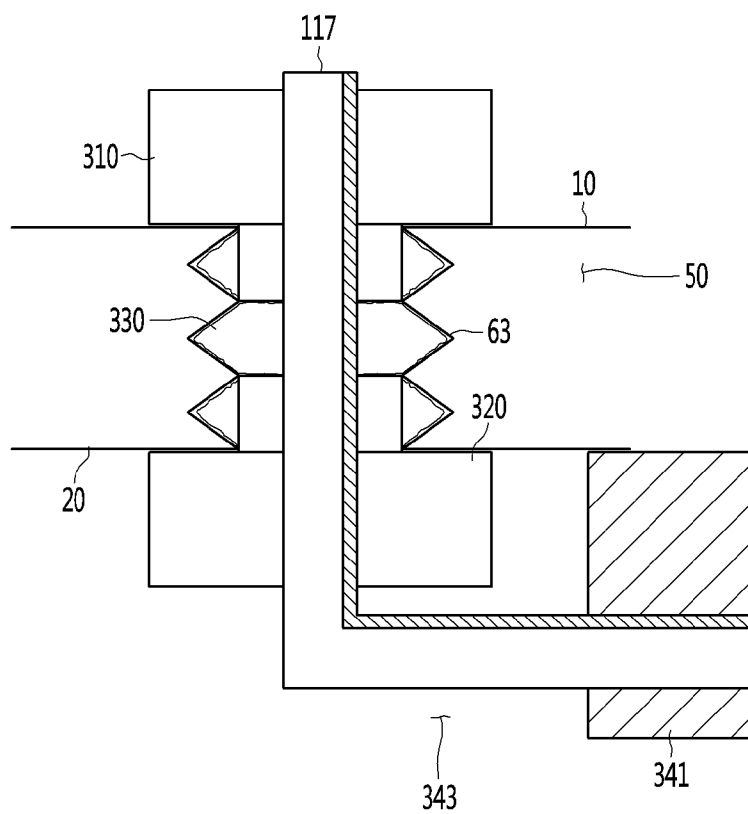
[Fig. 24]



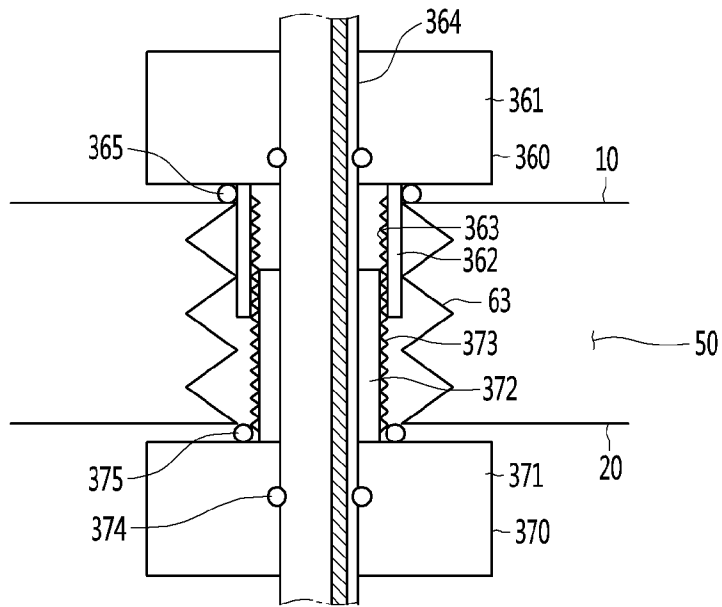
[Fig. 25]



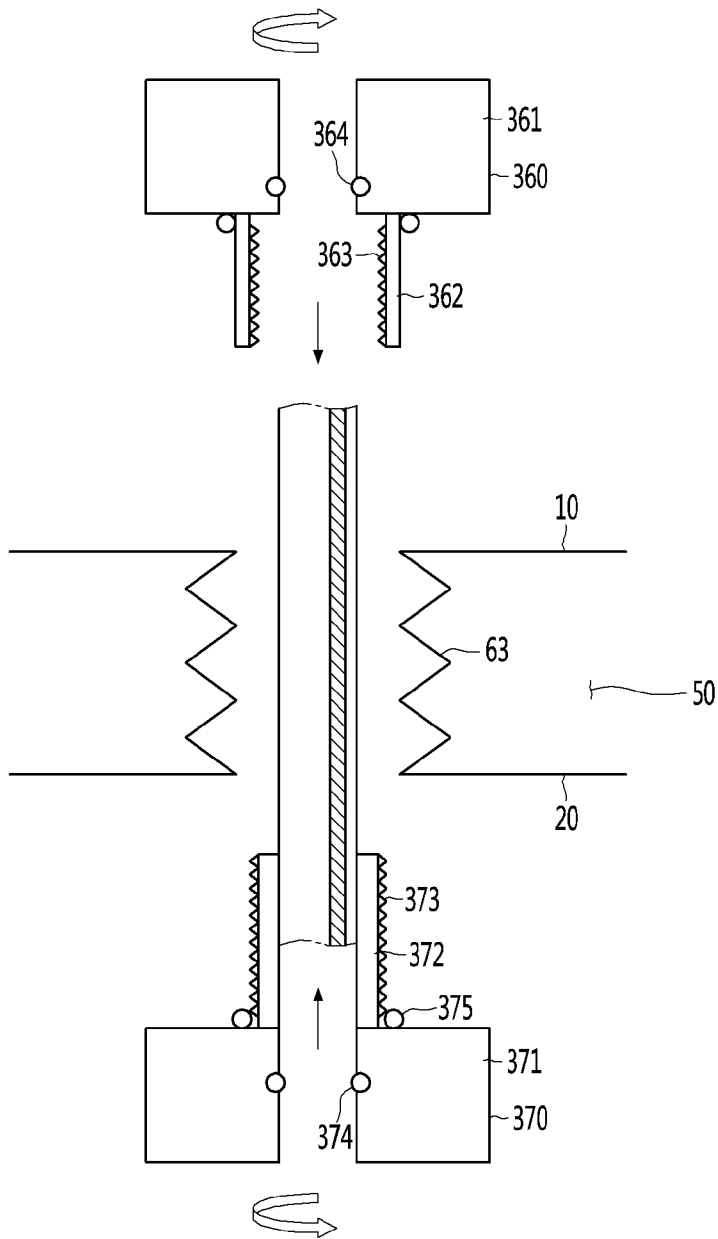
[Fig. 26]



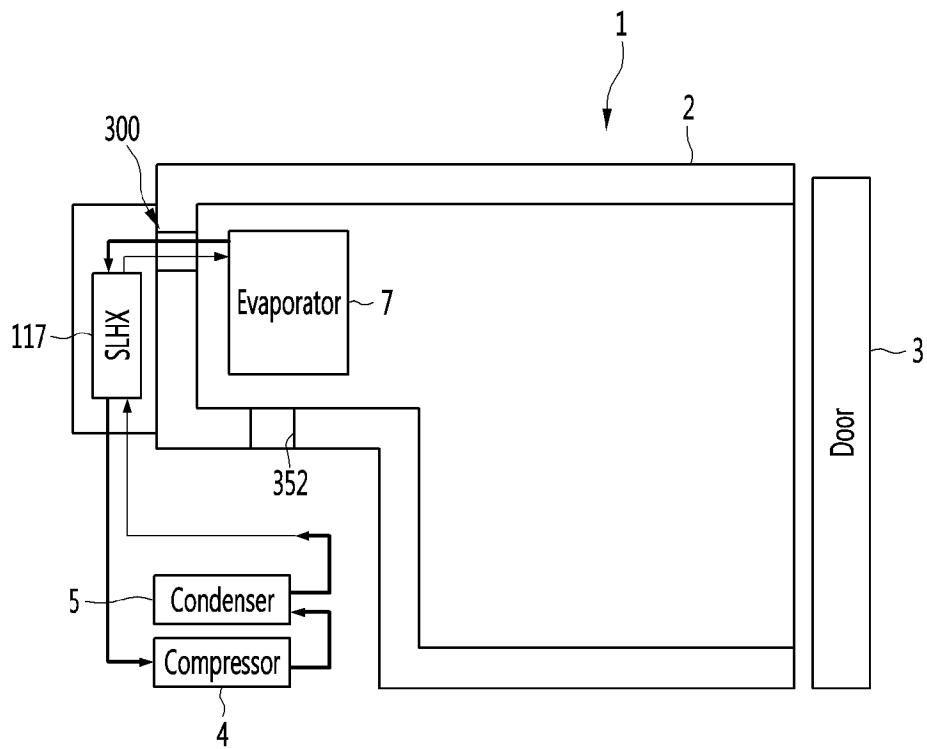
[Fig. 27]



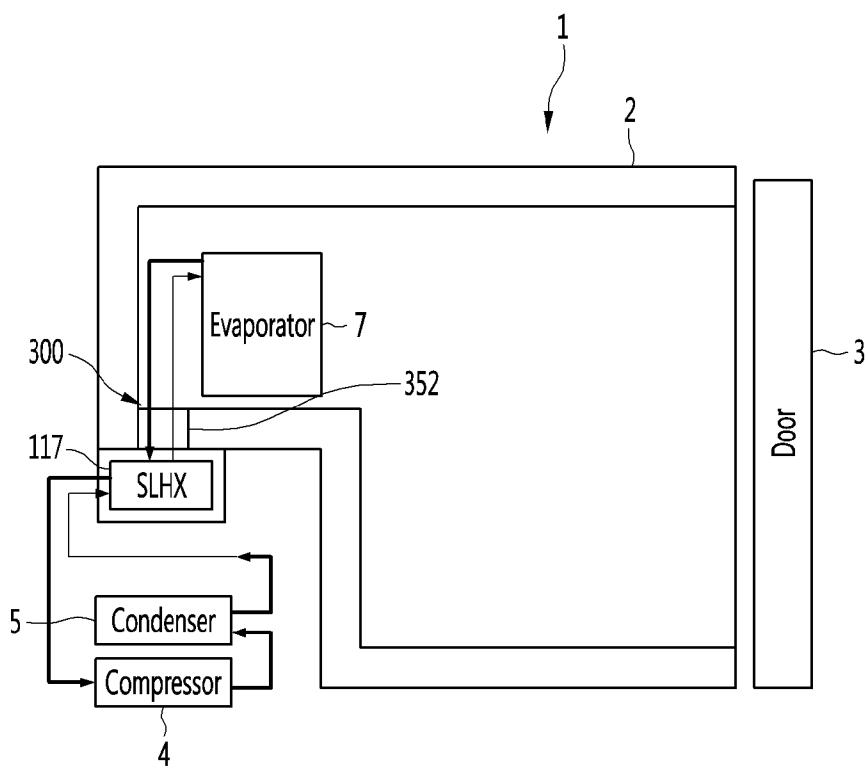
[Fig. 28]



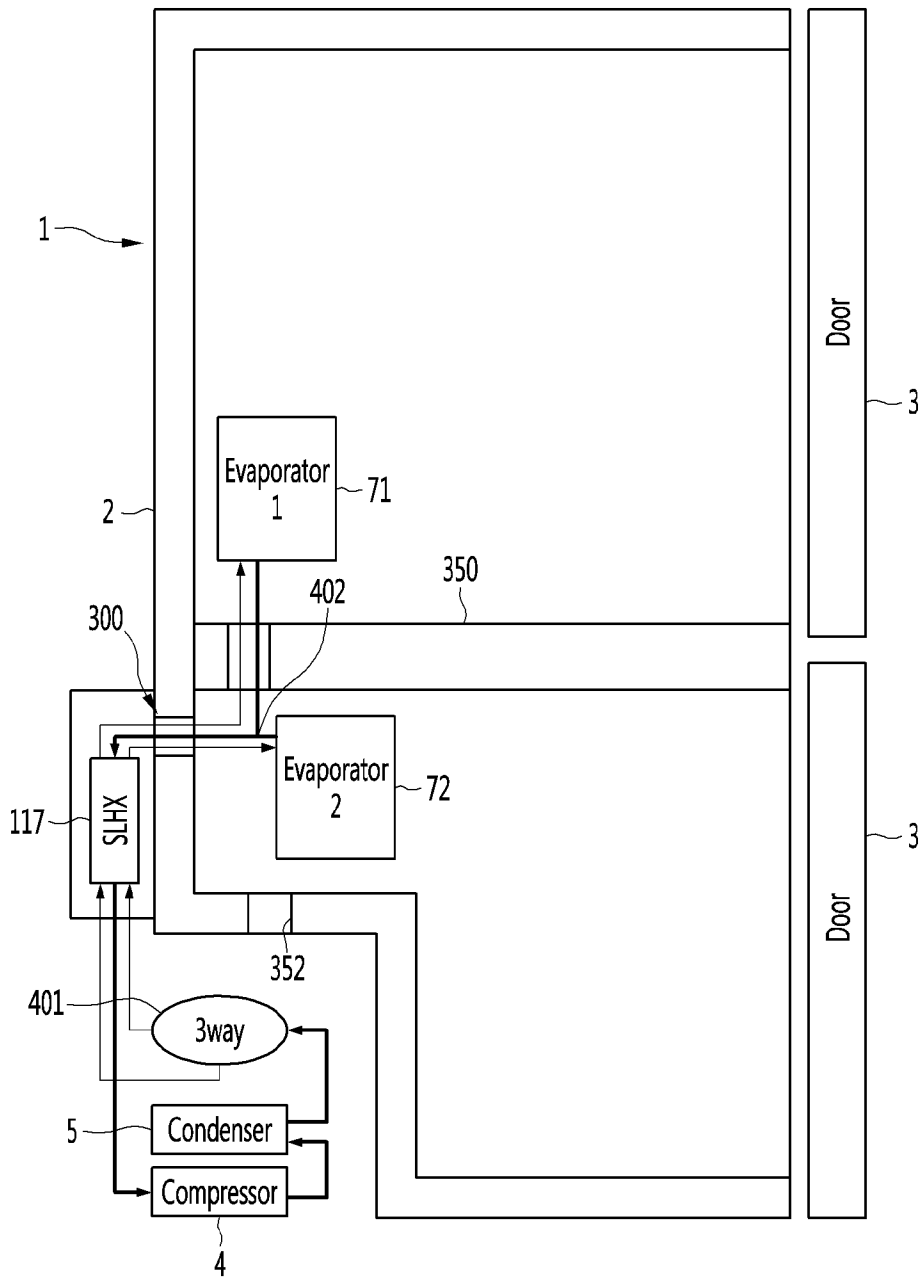
[Fig. 29]



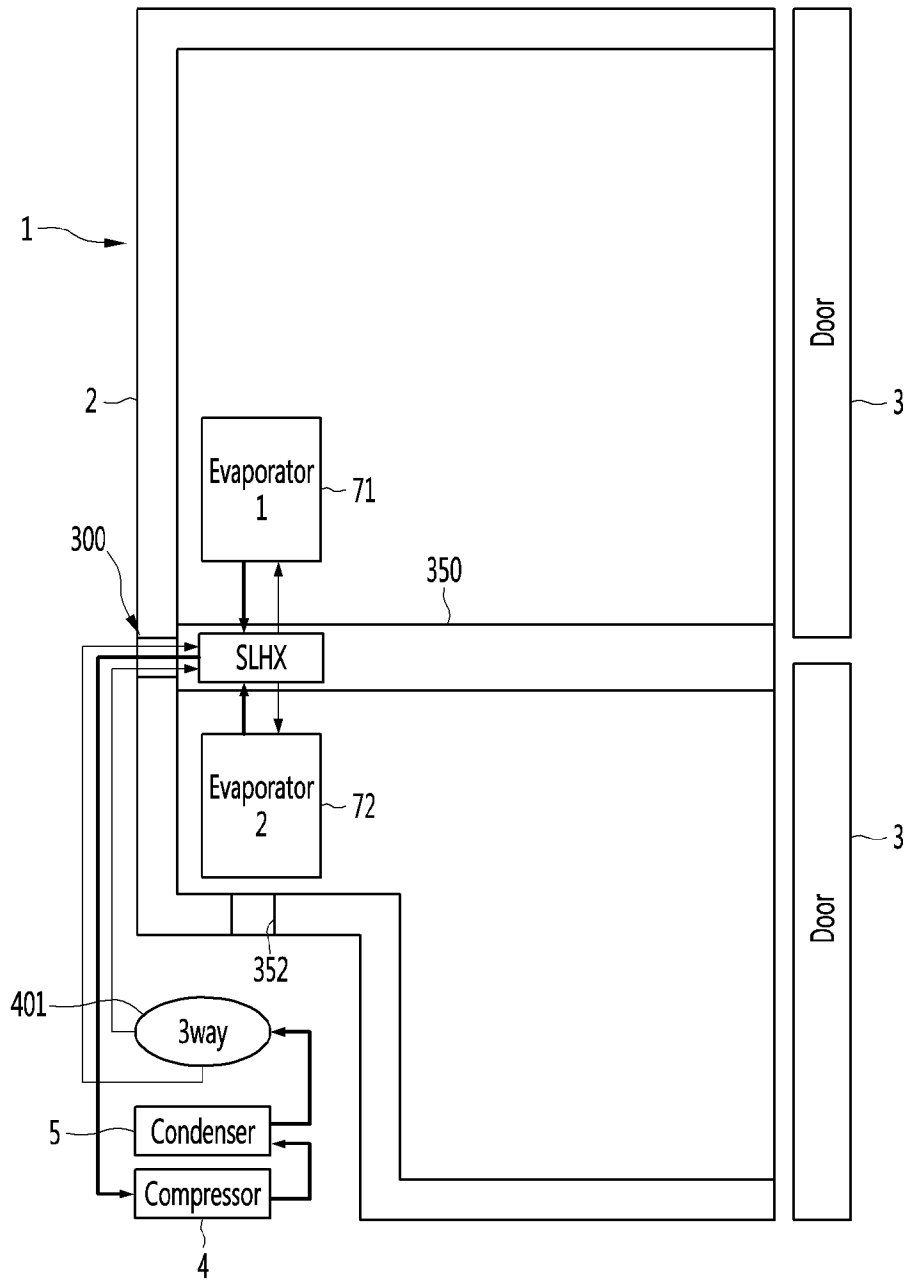
[Fig. 30]



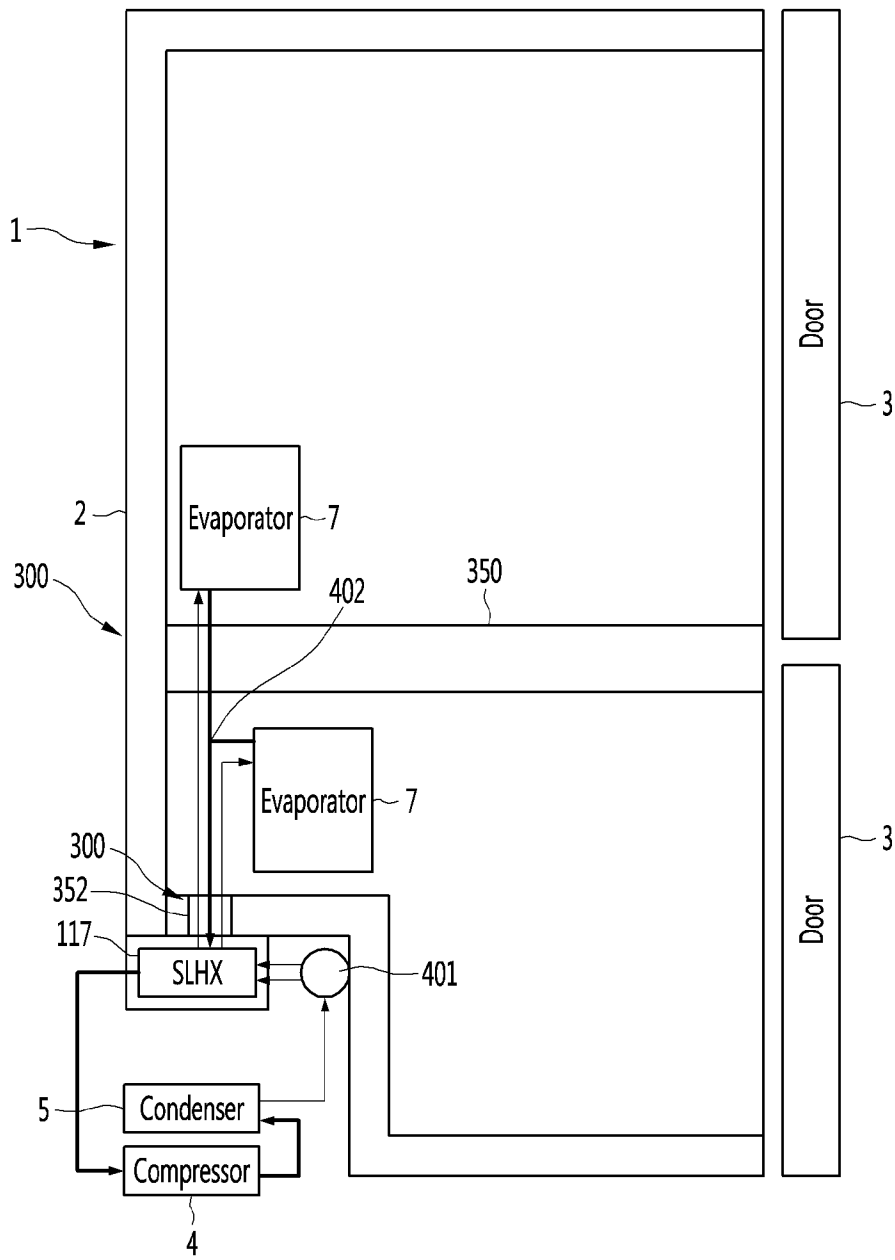
[Fig. 31]



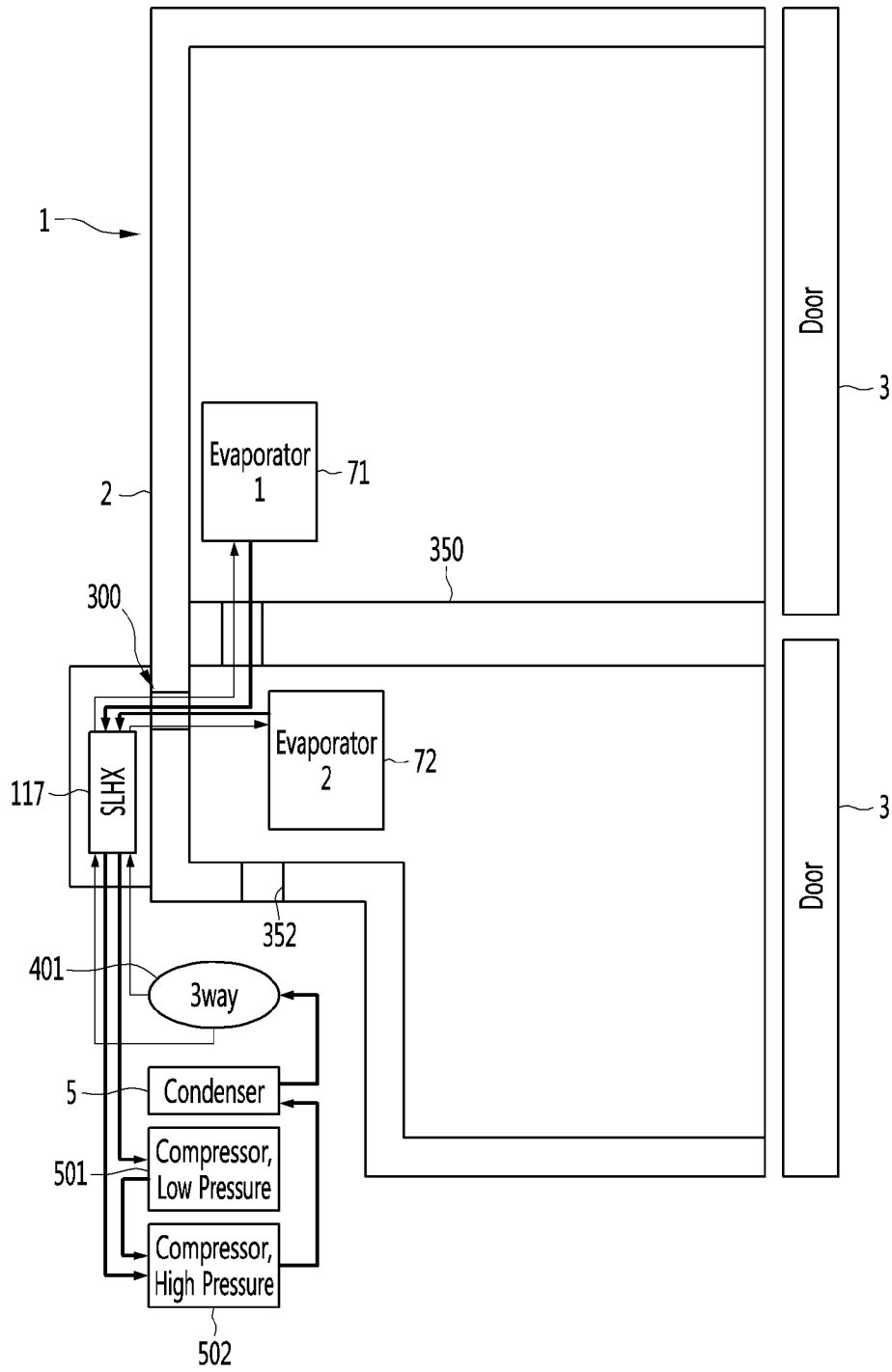
[Fig. 32]



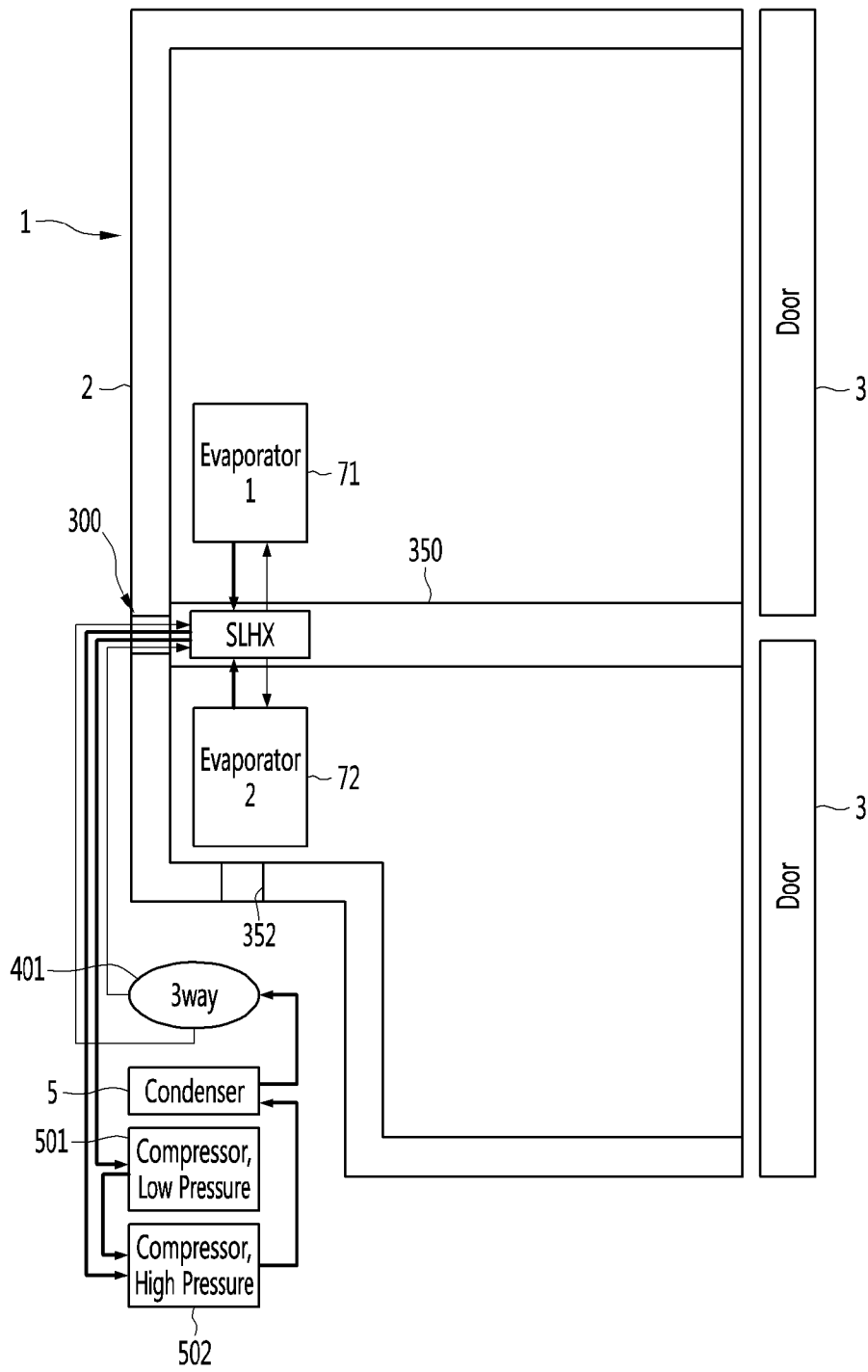
[Fig. 33]



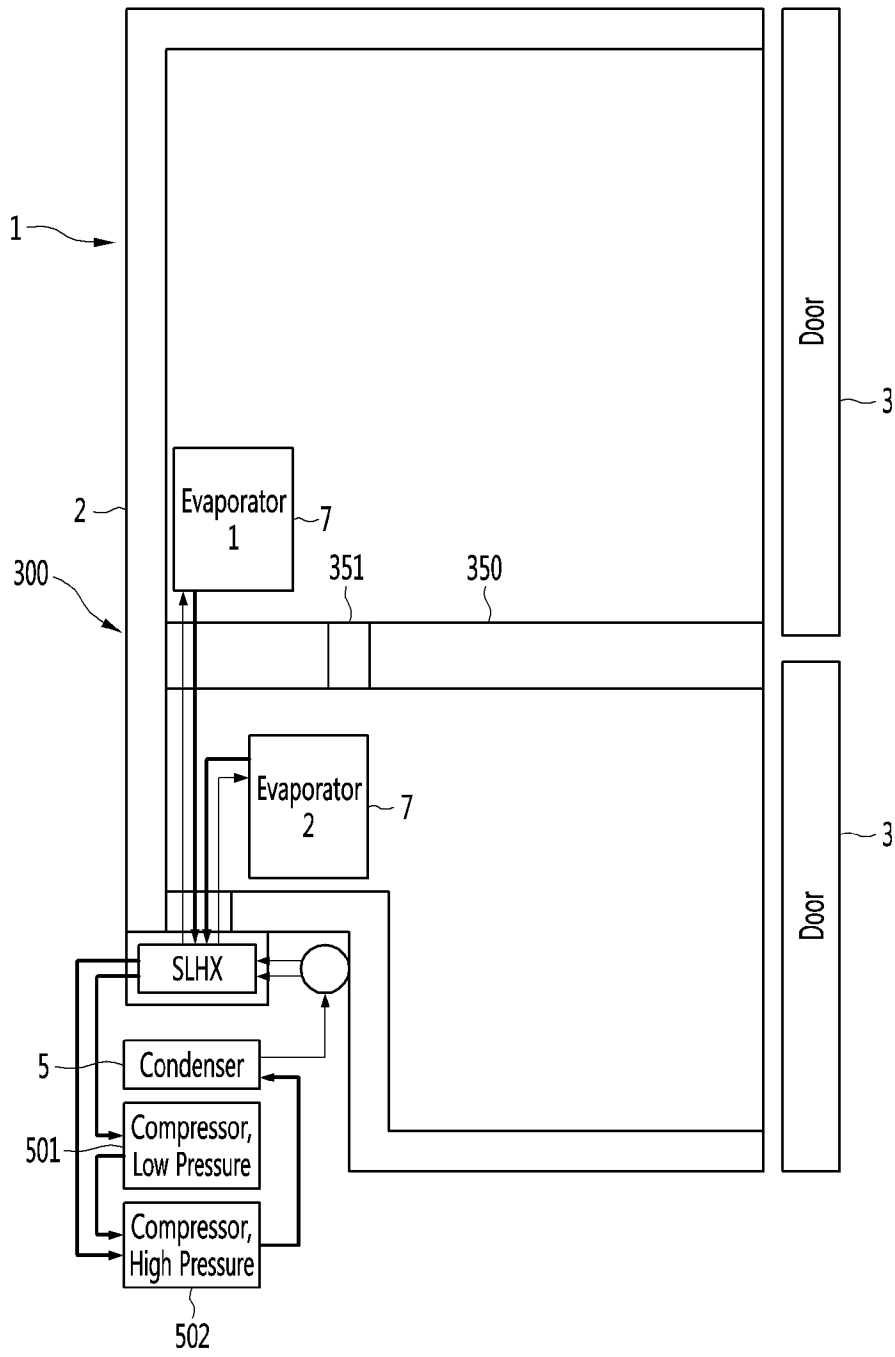
[Fig. 34]



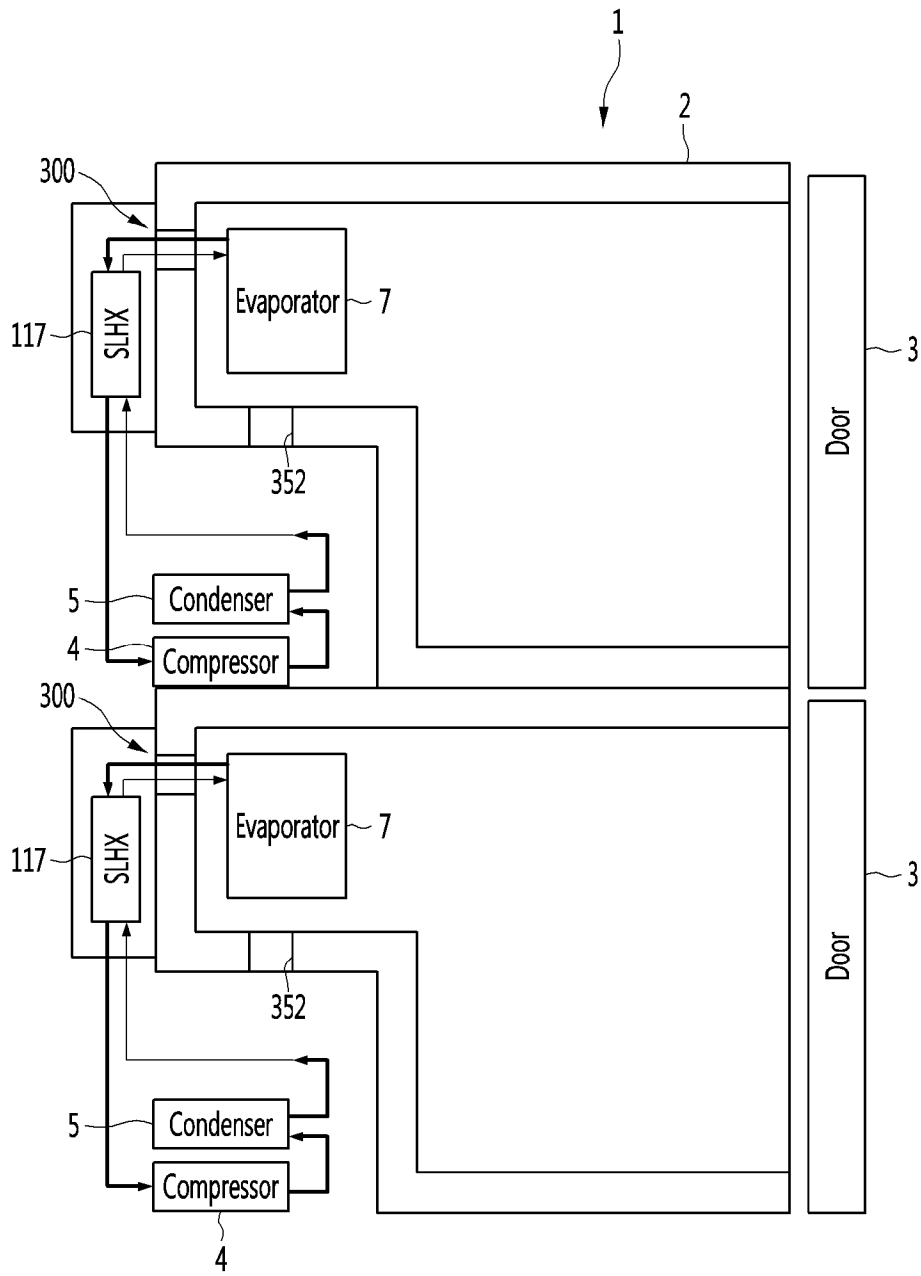
[Fig. 35]



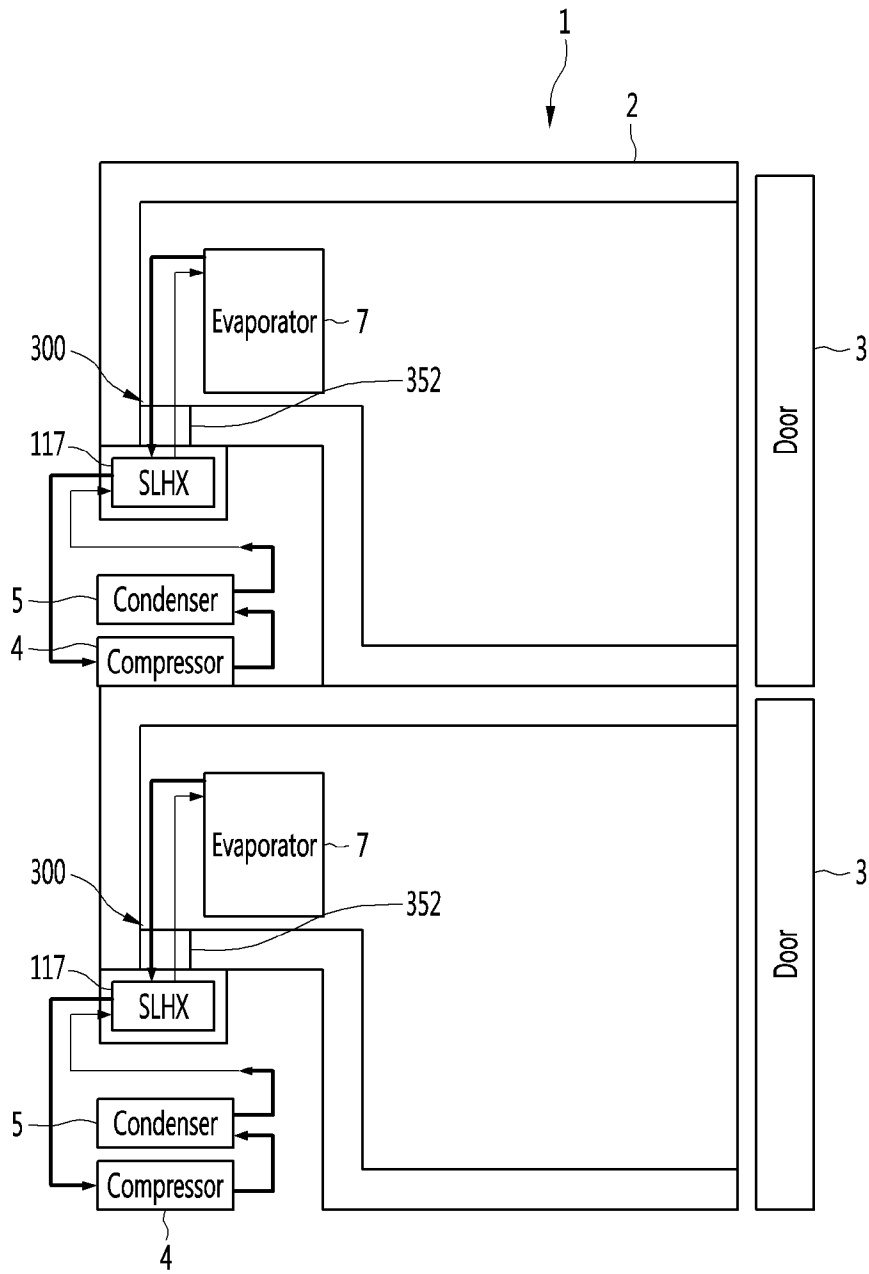
[Fig. 36]



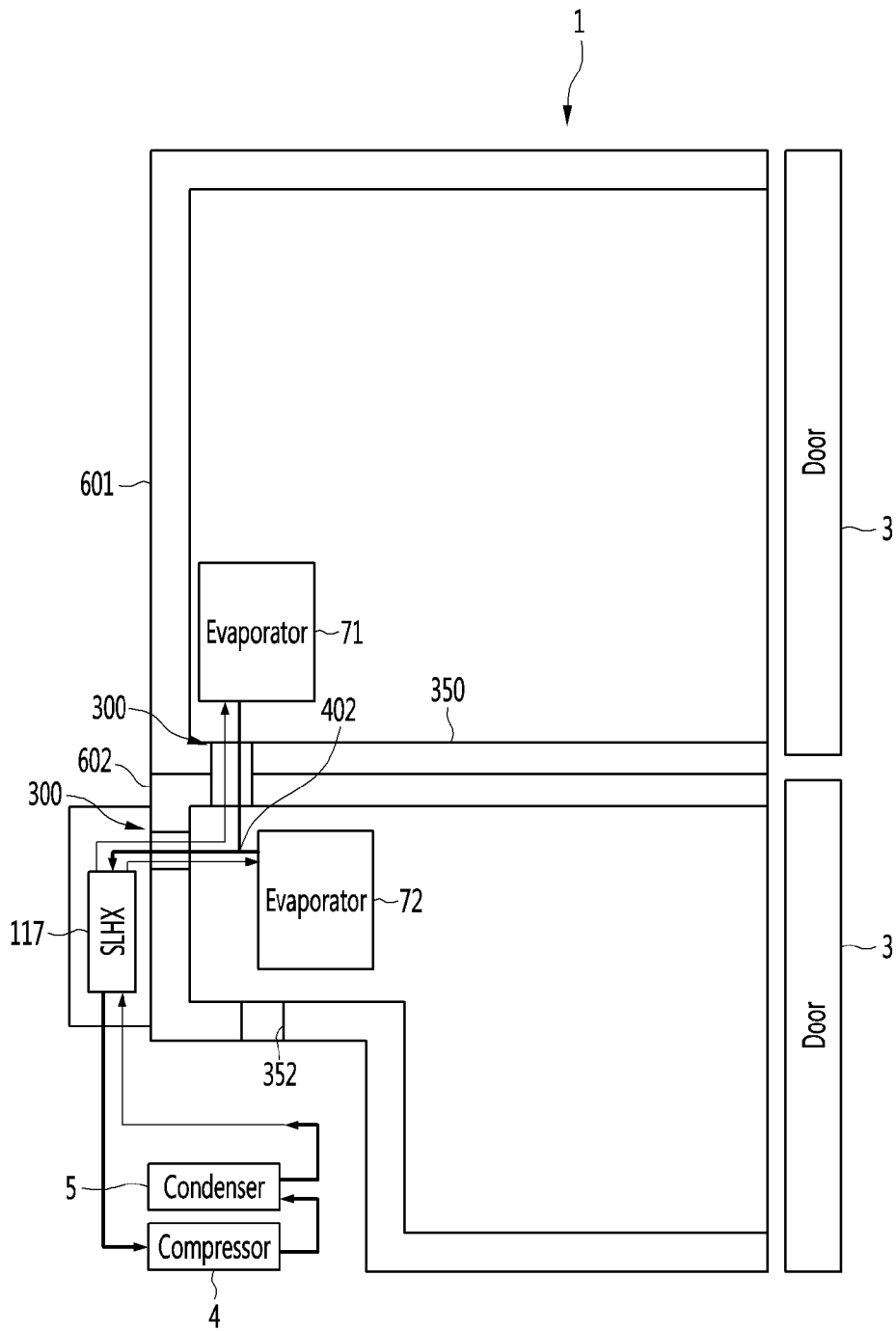
[Fig. 37]



[Fig. 38]



[Fig. 40]



A. CLASSIFICATION OF SUBJECT MATTER**F25D 23/06(2006.01)i, F25D 23/00(2006.01)i, F25D 23/08(2006.01)i, F25D 19/00(2006.01)i, F16L 59/065(2006.01)i**

According to International Patent Classification (IPC) or to both national classification and IPC

B. FIELDS SEARCHED

Minimum documentation searched (classification system followed by classification symbols)

F25D 23/06; F25B 40/00; F25D 19/00; F25D 21/14; F25D 23/02; F25D 23/08; F25D 23/00; F16L 59/065

Documentation searched other than minimum documentation to the extent that such documents are included in the fields searched

Korean utility models and applications for utility models

Japanese utility models and applications for utility models

Electronic data base consulted during the international search (name of data base and, where practicable, search terms used)

eKOMPASS(KIPO internal) & Keywords: refrigerator, vacuum adiabatic, plate, seal, through part, block, resistance, conductivity

C. DOCUMENTS CONSIDERED TO BE RELEVANT

Category*	Citation of document, with indication, where appropriate, of the relevant passages	Relevant to claim No.
Y	WO 2017-023095 A1 (LG ELECTRONICS INC.) 09 February 2017 See paragraphs [0009], [0031]-[0038] and figures 1-4.	1-20
Y	KR 20-0158720 Y1 (SAMSUNG ELECTRONICS CO., LTD.) 15 October 1999 See page 3 and figure 6.	1-20
Y	US 2016-0290690 A1 (LG ELECTRONICS INC.) 06 October 2016 See abstract, paragraph [0121], and figure 4.	13
A	US 7007496 B2 (KIM et al.) 07 March 2006 See column 5, line 56 - column 6, line 13 and figure 6.	1-20
A	JP 2012-087993 A (TOSHIBA CORP. et al.) 10 May 2012 See paragraph [0045] and figures 11-12.	1-20

 Further documents are listed in the continuation of Box C. See patent family annex.

* Special categories of cited documents:

"A" document defining the general state of the art which is not considered to be of particular relevance

"D" document cited by the applicant in the international application

"E" earlier application or patent but published on or after the international filing date

"L" document which may throw doubts on priority claim(s) or which is cited to establish the publication date of another citation or other special reason (as specified)

"O" document referring to an oral disclosure, use, exhibition or other means

"P" document published prior to the international filing date but later than the priority date claimed

"T" later document published after the international filing date or priority date and not in conflict with the application but cited to understand the principle or theory underlying the invention

"X" document of particular relevance; the claimed invention cannot be considered novel or cannot be considered to involve an inventive step when the document is taken alone

"Y" document of particular relevance; the claimed invention cannot be considered to involve an inventive step when the document is combined with one or more other such documents, such combination being obvious to a person skilled in the art

"&" document member of the same patent family

Date of the actual completion of the international search

08 October 2019 (08.10.2019)

Date of mailing of the international search report

08 October 2019 (08.10.2019)

Name and mailing address of the ISA/KR

International Application Division

Korean Intellectual Property Office

189 Cheongsa-ro, Seo-gu, Daejeon, 35208, Republic of Korea

Facsimile No. +82-42-481-8578

Authorized officer

LEE, Chang Ho

Telephone No. +82-42-481-8288



INTERNATIONAL SEARCH REPORT

Information on patent family members

International application No.

PCT/KR2019/007763

Patent document cited in search report	Publication date	Patent family member(s)	Publication date
WO 2017-023095 A1	09/02/2017	AU 2016-303866 A1 CN 107850377 A EP 3332194 A1 KR 10-2017-0016187 A RU 2684469 C1 US 2018-0238610 A1	01/03/2018 27/03/2018 13/06/2018 13/02/2017 09/04/2019 23/08/2018
KR 20-0158720 Y1	15/10/1999	KR 20-1998-0020939 U	15/07/1998
US 2016-0290690 A1	06/10/2016	CN 103090630 A CN 103090630 B CN 104949428 A CN 104949428 B EP 2589905 A2 EP 2589905 A3 KR 10-1861832 B1 KR 10-1962146 B1 KR 10-2013-0049495 A KR 10-2019-0029557 A US 10228169 B2 US 2013-0111942 A1 US 2019-0203986 A1 US 9377227 B2	08/05/2013 19/08/2015 30/09/2015 12/09/2017 08/05/2013 04/09/2019 29/05/2018 26/03/2019 14/05/2013 20/03/2019 12/03/2019 09/05/2013 04/07/2019 28/06/2016
US 7007496 B2	07/03/2006	KR 10-2005-0070488 A KR 20-0347422 Y1 KR 20-0350031 Y1 US 2005-0138954 A1	07/07/2005 09/04/2004 10/05/2004 30/06/2005
JP 2012-087993 A	10/05/2012	CN 102452522 A CN 102452522 B JP 5743483 B2 TW 201228900 A TW I525021 B	16/05/2012 03/12/2014 01/07/2015 16/07/2012 11/03/2016