

(19) World Intellectual Property Organization  
International Bureau



(43) International Publication Date  
28 August 2008 (28.08.2008)

PCT

(10) International Publication Number  
WO 2008/103856 A3

- (51) International Patent Classification:  
H04L 29/06 (2006.01) H04L 12/56 (2006.01)
- (21) International Application Number:  
PCT/US2008/054624
- (22) International Filing Date:  
21 February 2008 (21.02.2008)
- (25) Filing Language: English
- (26) Publication Language: English
- (30) Priority Data:  
11/677,109 21 February 2007 (21.02.2007) US
- (71) Applicant (for all designated States except US): QUALCOMM Incorporated [US/US]; Attn: International IP Administration, 5775 Morehouse Drive, San Diego, California 92121 (US).
- (72) Inventors; and
- (75) Inventors/Applicants (for US only): SHAHIDI, Reza [US/US]; 5775 Morehouse Drive, San Diego, California 92121 (US). GINDE, Samirvijay [IN/US]; 5775 Morehouse Drive, San Diego, California 92121 (US).
- (74) Agent: BACHAND, Richard, A.; 5775 Morehouse Drive, San Diego, California 92121 (US).
- (81) Designated States (unless otherwise indicated, for every kind of national protection available): AE, AG, AL, AM,

AO, AT, AU, AZ, BA, BB, BG, BH, BR, BW, BY, BZ, CA, CH, CN, CO, CR, CU, CZ, DE, DK, DM, DO, DZ, EC, EE, EG, ES, FI, GB, GD, GE, GH, GM, GT, HN, HR, HU, ID, IL, IN, IS, JP, KE, KG, KM, KN, KP, KR, KZ, LA, LC, LK, LR, LS, LT, LU, LY, MA, MD, ME, MG, MK, MN, MW, MX, MY, MZ, NA, NG, NI, NO, NZ, OM, PG, PH, PL, PT, RO, RS, RU, SC, SD, SE, SG, SK, SL, SM, SV, SY, TJ, TM, TN, TR, TT, TZ, UA, UG, US, UZ, VC, VN, ZA, ZM, ZW.

(84) Designated States (unless otherwise indicated, for every kind of regional protection available): ARIPO (BW, GH, GM, KE, LS, MW, MZ, NA, SD, SL, SZ, TZ, UG, ZM, ZW), Eurasian (AM, AZ, BY, KG, KZ, MD, RU, TJ, TM), European (AT, BE, BG, CH, CY, CZ, DE, DK, EE, ES, FI, FR, GB, GR, HR, HU, IE, IS, IT, LT, LU, LV, MC, MT, NL, NO, PL, PT, RO, SE, SI, SK, TR), OAPI (BF, BJ, CF, CG, CI, CM, GA, GN, GQ, GW, ML, MR, NE, SN, TD, TG).

**Declarations under Rule 4.17:**

- as to applicant's entitlement to apply for and be granted a patent (Rule 4.17(ii))
- as to the applicant's entitlement to claim the priority of the earlier application (Rule 4.17(iii))

**Published:**

- with international search report

[Continued on next page]

(54) Title: DYNAMIC ADJUSTMENT OF INACTIVITY TIMER THRESHOLD FOR CALL CONTROL TRANSACTIONS

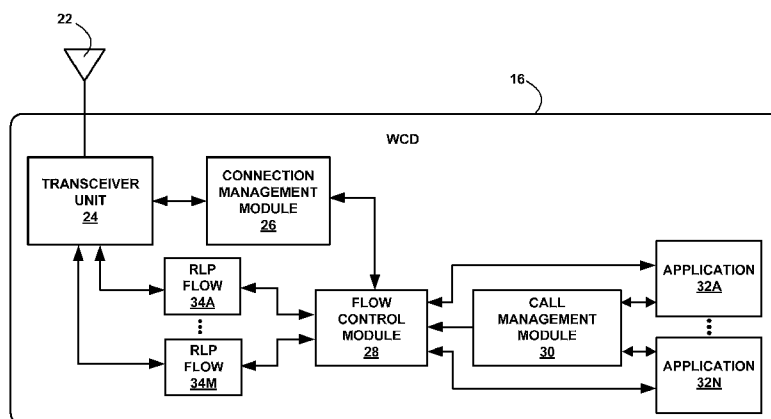


FIG. 2

(57) Abstract: In general, this disclosure is directed to establishment and release of a connection between a communication device and an access network. More specifically, the techniques of this disclosure are directed to determining when a data flow used for exchanging call control requests becomes inactive. For example, a communication device may dynamically adjust an inactivity timer threshold associated with the data flow used by applications to exchange call control messages when a new call control transaction starts or an existing call control transaction ends, e.g., by selecting a single inactivity timer threshold for the data flow to satisfy minimum connection requirements of existing call control transactions, recently ended call control transactions and the new call control transaction. The data flow is considered inactive when no applications send or receive messages via the data flow for a period of time that exceeds the adjusted inactivity timer threshold.

WO 2008/103856 A3



— *before the expiration of the time limit for amending the claims and to be republished in the event of receipt of amendments*

**(88) Date of publication of the international search report:**  
20 November 2008

**INTERNATIONAL SEARCH REPORT**

International application No  
PCT/US2008/054624

**A. CLASSIFICATION OF SUBJECT MATTER**  
INV. H04L29/06 H04L12/56

According to International Patent Classification (IPC) or to both national classification and IPC

**B. FIELDS SEARCHED**

Minimum documentation searched (classification system followed by classification symbols)  
H04L

Documentation searched other than minimum documentation to the extent that such documents are included in the fields searched

Electronic data base consulted during the international search (name of data base and, where practical, search terms used)  
EPO-Internal, WPI Data

**C. DOCUMENTS CONSIDERED TO BE RELEVANT**

Category*	Citation of document, with indication, where appropriate, of the relevant passages	Relevant to claim No.
X	US 2003/235171 A1 (LUNDSTROM ANDERS [US] ET AL) 25 December 2003 (2003-12-25) paragraphs [0001], [0003], [0006], [0009], [0010], [0013], [0036] - [0039], [0046] - [0048]; figure 3 -----	1-51
A	WO 03/096730 A (NOKIA CORP [FI]; SILLASTO EERO [FI]; KOLA TERO [FI]) 20 November 2003 (2003-11-20) the whole document -----	1-51
A	US 2002/172178 A1 (SUZUKI MASAYASU [JP] ET AL) 21 November 2002 (2002-11-21) the whole document -----	1-51

Further documents are listed in the continuation of Box C.

See patent family annex.

\* Special categories of cited documents:

- \*A\* document defining the general state of the art which is not considered to be of particular relevance
- \*E\* earlier document but published on or after the international filing date
- \*L\* document which may throw doubts on priority claim(s) or which is cited to establish the publication date of another citation or other special reason (as specified)
- \*O\* document referring to an oral disclosure, use, exhibition or other means
- \*P\* document published prior to the international filing date but later than the priority date claimed

- \*T\* later document published after the international filing date or priority date and not in conflict with the application but cited to understand the principle or theory underlying the invention
- \*X\* document of particular relevance; the claimed invention cannot be considered novel or cannot be considered to involve an inventive step when the document is taken alone
- \*Y\* document of particular relevance; the claimed invention cannot be considered to involve an inventive step when the document is combined with one or more other such documents, such combination being obvious to a person skilled in the art.
- \*B\* document member of the same patent family

Date of the actual completion of the international search

19 September 2008

Date of mailing of the international search report

30/09/2008

Name and mailing address of the ISA/

European Patent Office, P.B. 5818 Patentlaan 2  
NL - 2280 HV Rijswijk  
Tel. (+31-70) 340-2040, Tx. 31 651 epo nl,  
Fax: (+31-70) 340-3016

Authorized officer

Mannekens, Jan

# INTERNATIONAL SEARCH REPORT

Information on patent family members

International application No

PCT/US2008/054624

Patent document cited in search report	Publication date	Patent family member(s)	Publication date
US 2003235171 A1	25-12-2003	AU 2003242874 A1 BR 0312144 A CN 1703875 A WO 2004002084 A1 JP 2005531180 T	06-01-2004 05-04-2005 30-11-2005 31-12-2003 13-10-2005
WO 03096730 A	20-11-2003	AU 2002253207 A1 US 2005063304 A1	11-11-2003 24-03-2005
US 2002172178 A1	21-11-2002	JP 4015428 B2 JP 2003037874 A	28-11-2007 07-02-2003