



US00D697106S

(12) **United States Design Patent**  
**Huschka**

(10) **Patent No.:** **US D697,106 S**

(45) **Date of Patent:** **\*\* Jan. 7, 2014**

(54) **RECTANGULAR EYEGLASS LENS WITH SEMI-SHAPE APERTURE**

D655,734 S 3/2012 Huschka  
D666,647 S 9/2012 Huschka  
D666,648 S 9/2012 Huschka  
D666,649 S 9/2012 Huschka  
D666,650 S 9/2012 Huschka  
D666,651 S 9/2012 Huschka  
D666,652 S 9/2012 Huschka

(71) Applicant: **Esotika Enterprises LLC**, Paramount, CA (US)

(72) Inventor: **Todd Huschka**, Madison, WI (US)

\* cited by examiner

(73) Assignee: **KM Fashion Eyewear, LLC**, Paramount, CA (US)

*Primary Examiner* — Raphael Barkai

(74) *Attorney, Agent, or Firm* — Lance M. Pritikin

(\*\*) Term: **14 Years**

(21) Appl. No.: **29/450,140**

(57) **CLAIM**

The ornamental design for a rectangular eyeglass lens with semi-shape aperture, as shown and described.

(22) Filed: **Mar. 15, 2013**

(51) **LOC (10) Cl.** ..... **16-06**

(52) **U.S. Cl.**

USPC ..... **D16/101**; D16/315; D16/306

(58) **Field of Classification Search**

USPC ..... D16/101, 300-342, 900; D29/109-110; 351/41, 44, 51-52, 62, 158, 92, 351/103-123, 140-153, 45-46; 2/426-432, 2/447-449, 441, 434-437, 13, 15; D21/483, 659-661; D14/372

See application file for complete search history.

**DESCRIPTION**

FIG. 1 is a front environmental view of the rectangular eyeglass lens with semi-shape aperture, depicting a semi-square aperture;

FIG. 2 is a front perspective view of the rectangular eyeglass lens with semi-shape aperture, depicting the semi-square aperture;

FIG. 3 is a front view thereof;

FIG. 4 is a rear view thereof;

FIG. 5 is a right side view thereof with a left side being a mirror image;

FIG. 6 is a top view thereof; and,

FIG. 7 is a bottom view thereof.

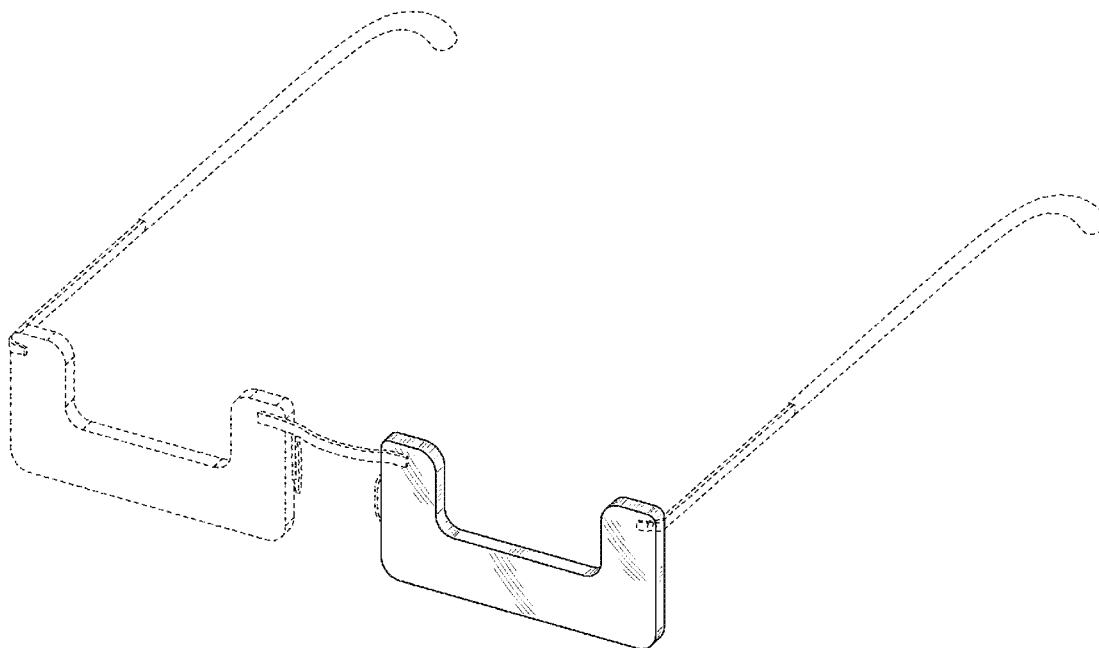
The broken lines are included for illustrative purposes only and form no part of the claimed design.

(56) **References Cited**

U.S. PATENT DOCUMENTS

D74,365 S \* 2/1928 Giglio ..... D16/326  
D408,432 S \* 4/1999 Jumara ..... D16/315  
D622,748 S 8/2010 Huschka  
D655,732 S 3/2012 Huschka  
D655,733 S 3/2012 Huschka

**1 Claim, 3 Drawing Sheets**



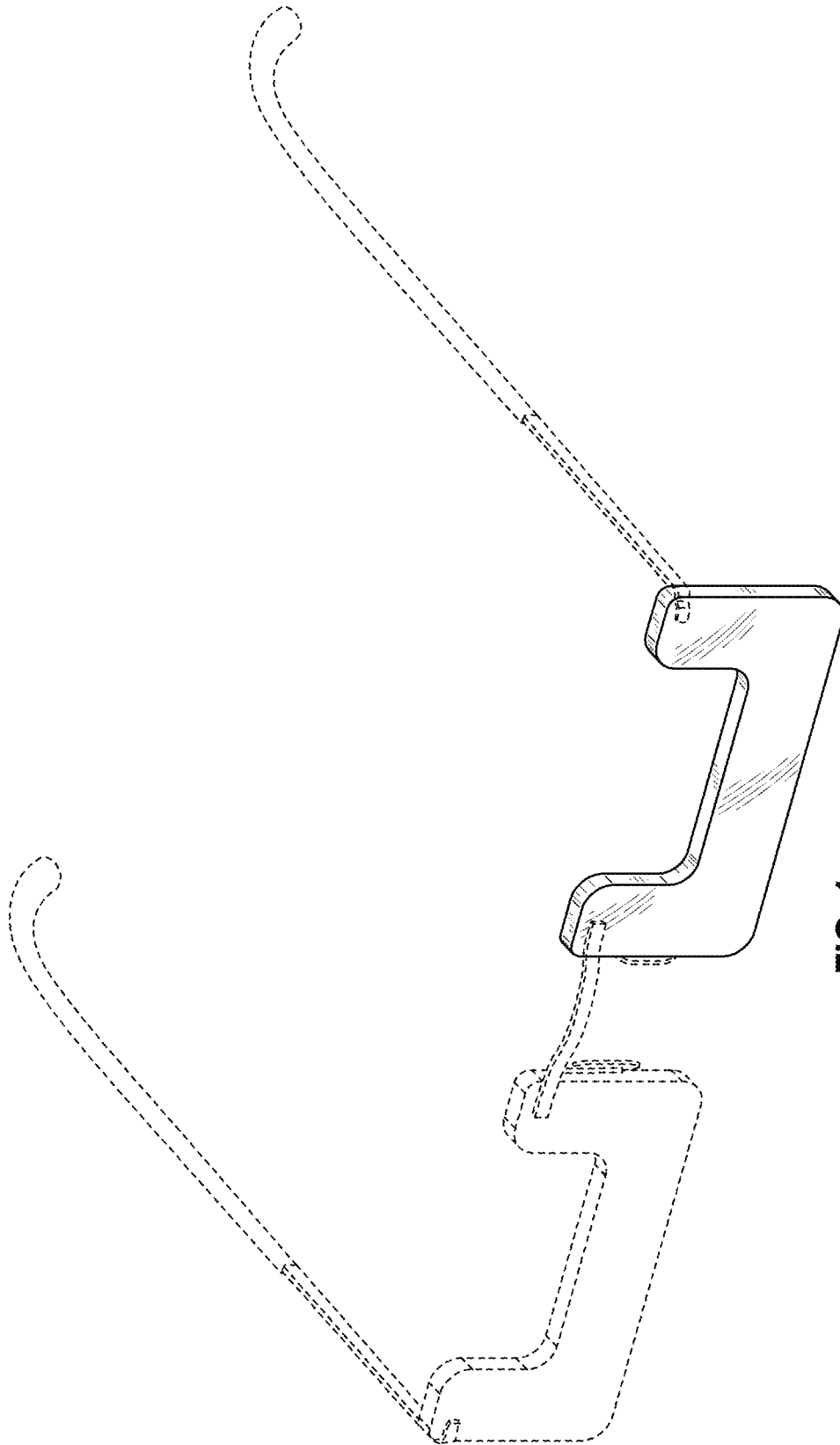


FIG. 1

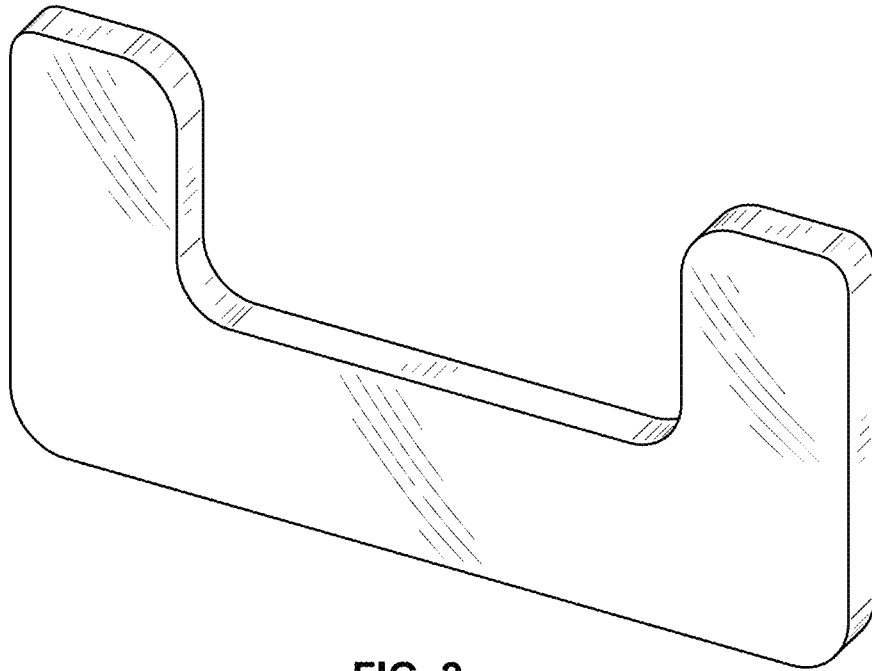


FIG. 2

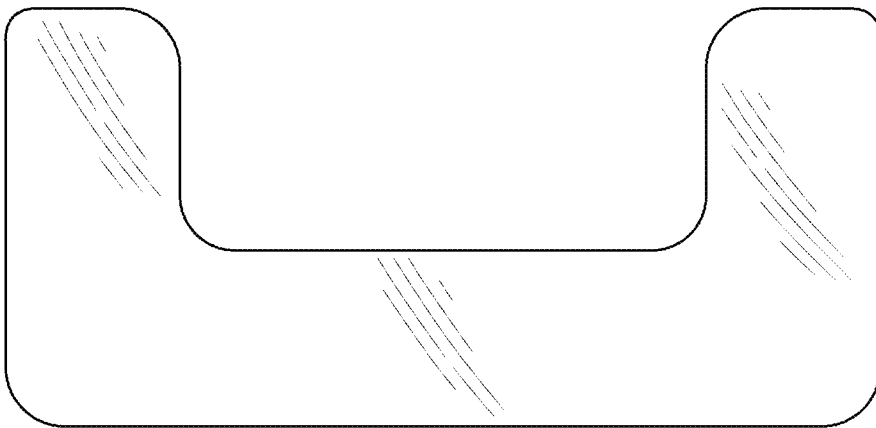


FIG. 3

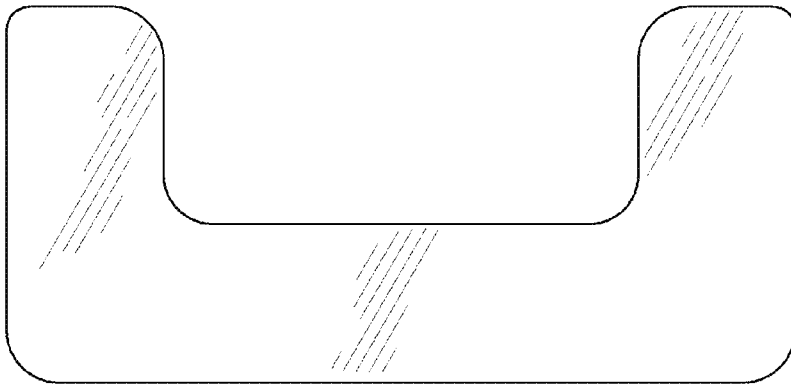


FIG. 4

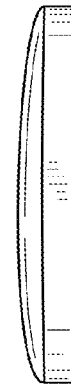


FIG. 5

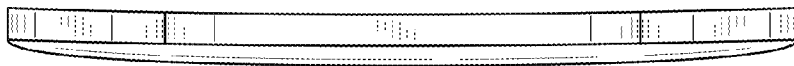


FIG. 6

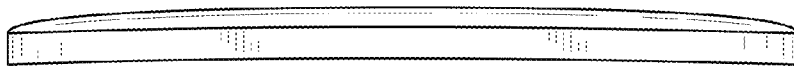


FIG. 7