



US00D871236S

(12) **United States Design Patent**
Antifora

(10) **Patent No.:** **US D871,236 S**

(45) **Date of Patent:** **** Dec. 31, 2019**

(54) **WATCH**

(71) Applicant: **Montblanc-Simplo GmbH**, Hamburg
(DE)

(72) Inventor: **Valerie Antifora**, La Chaux-de-Fonds
(CH)

(73) Assignee: **Montblanc-Simplo GmbH**, Hamburg
(DE)

(**) Term: **15 Years**

(21) Appl. No.: **29/646,065**

(22) Filed: **May 1, 2018**

(30) **Foreign Application Priority Data**

Nov. 2, 2017 (WO) DM/098744

(51) **LOC (12) Cl.** **10-02**

(52) **U.S. Cl.**
USPC **D10/39**

(58) **Field of Classification Search**

USPC D10/1-2, 6, 14-15, 30-39, 40-41, 98,
D10/102, 121-126, 128-129; D11/3-5,
D11/12, 18-19, 23, 93; D14/344
CPC .. A44C 5/02; G04B 17/28-285; G04B 19/00;
G04B 19/048; G04B 19/06; G04B
19/065; G04B 19/08; G04B 19/085;
G04B 19/087; G04B 19/10; G04B
19/103; G04B 19/106; G04B 19/12;
G04B 19/16; G04B 19/22; G04B 19/223;
G04B 19/24; G04B 19/243; G04B 29/00;
G04B 37/00; G04B 37/008; G04B
37/0058; G04B 37/12; G04B 37/14;
G04B 37/1486; G04B 45/0069; G04B
45/0076; G04B 47/00; G04B 47/048

See application file for complete search history.

(56) **References Cited**

U.S. PATENT DOCUMENTS

D509,150 S * 9/2005 Bodino D10/32
D536,994 S * 2/2007 Sugisawa D10/31

D695,637 S * 12/2013 Jacquerye D10/39
D705,671 S * 5/2014 Mijatovic D10/32
D706,144 S * 6/2014 Monachon D10/39
D734,677 S * 7/2015 Ruffieux D10/38
D736,654 S * 8/2015 Monachon D10/126
D736,655 S * 8/2015 Monachon D10/126
D744,863 S * 12/2015 Behling D10/126
D759,510 S * 6/2016 Belamich D10/126

(Continued)

OTHER PUBLICATIONS

Montblanc TimeWalker Manufacture Chronograph | posted at hodinkee.
conn Dec. 2017 [online]. © 2009-2019, Hodinkee Inc [retrieved
Mar. 25, 2019] from Internet: <<https://www.hodinkee.com/articles/montblanc-timewalker-manufacture-chronograph-introducing>> (Year:
2017).*

Primary Examiner — Sandra S Snapp

Assistant Examiner — Katherine Glennon

(74) *Attorney, Agent, or Firm* — Taft Stettinius &
Hollister LLP

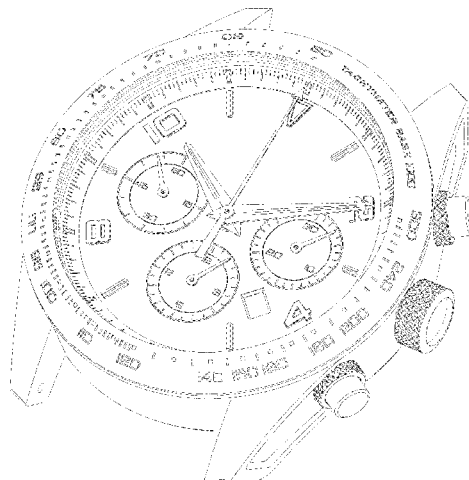
(57) **CLAIM**

The ornamental design for a watch, as shown and described.

DESCRIPTION

FIG. 1 is a front elevational view of a watch showing my new design;
FIG. 2 is a back elevational view thereof;
FIG. 3 is a top plan view thereof;
FIG. 4 is a bottom plan view thereof;
FIG. 5 is a left side elevational view thereof;
FIG. 6 is a right side elevational view thereof;
FIG. 7 is a front, right side perspective view thereof; and,
FIG. 8 is a back, left side perspective view thereof.
The broken lines in the drawing figures depict unclaimed
subject matter that forms no part of the claimed design.

1 Claim, 8 Drawing Sheets



(56)

References Cited

U.S. PATENT DOCUMENTS

D773,333	S *	12/2016	Monachon	D10/126
D787,954	S *	5/2017	Morimoto	D10/30
D795,087	S *	8/2017	Monachon	D10/30
D801,832	S *	11/2017	White	D10/30
D820,118	S *	6/2018	Antifora	D10/39
D820,692	S *	6/2018	Antifora	D10/39
D835,523	S *	12/2018	Pillot	D10/39
2004/0208085	A1 *	10/2004	Watanabe	G04B 19/24 368/37

* cited by examiner

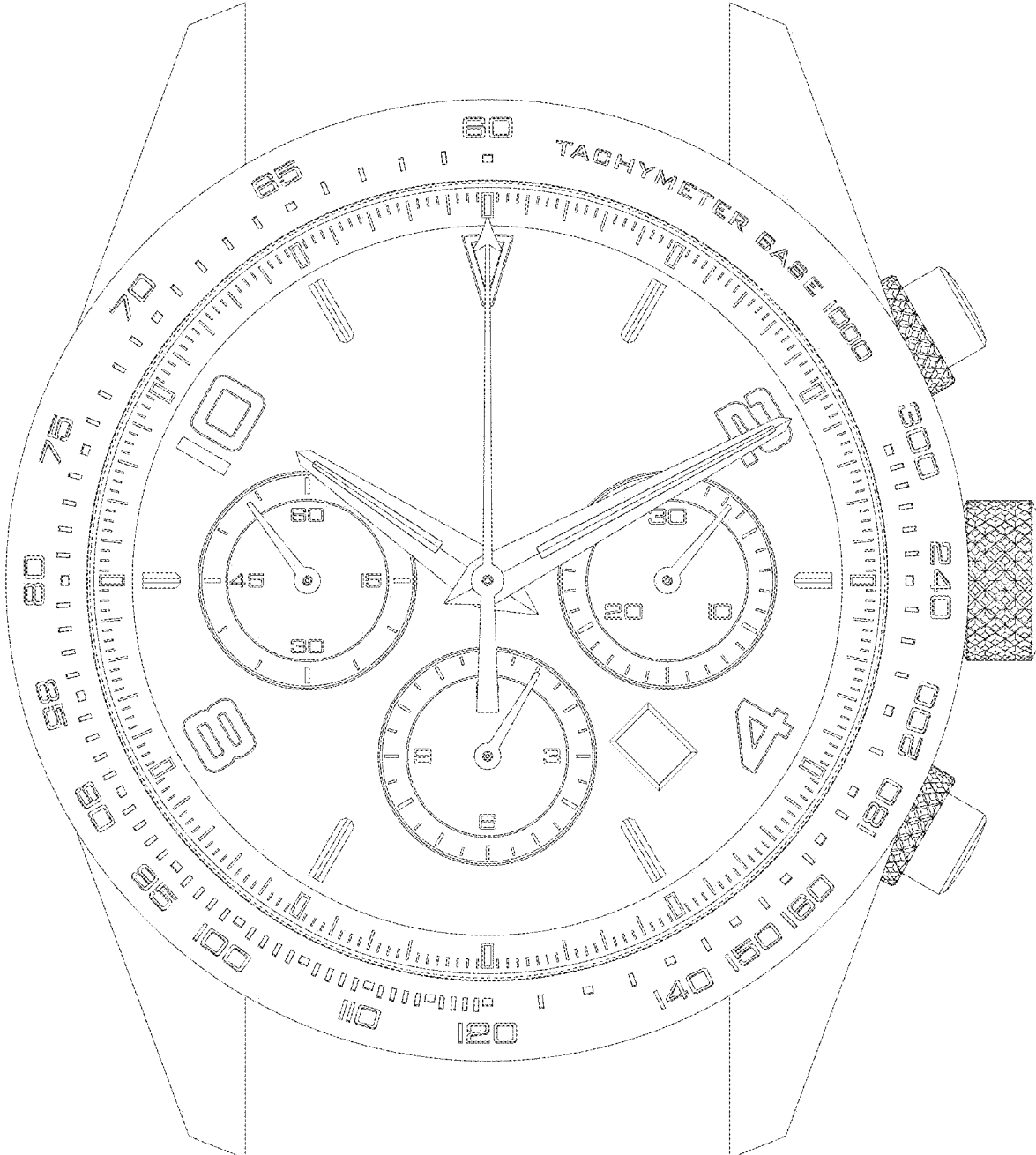


Fig. 1

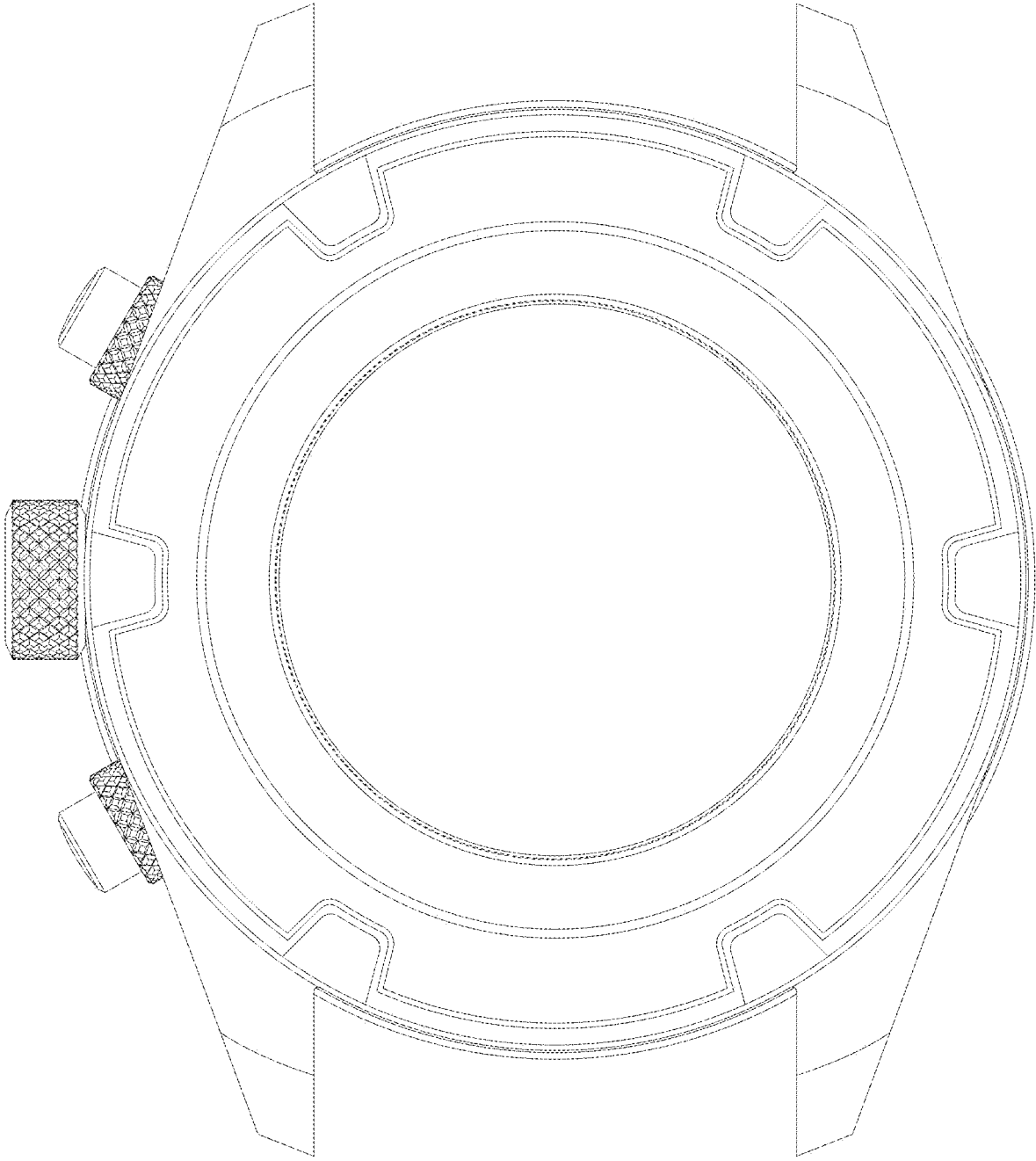


Fig. 2

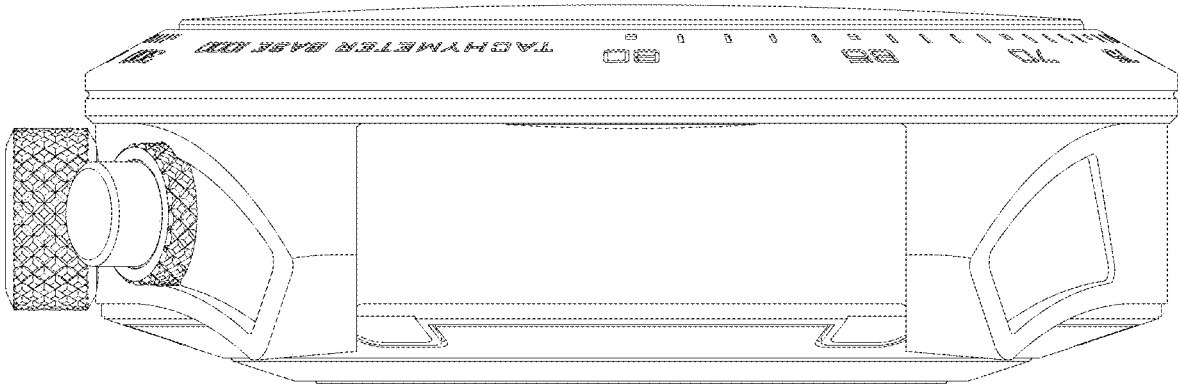


Fig. 3

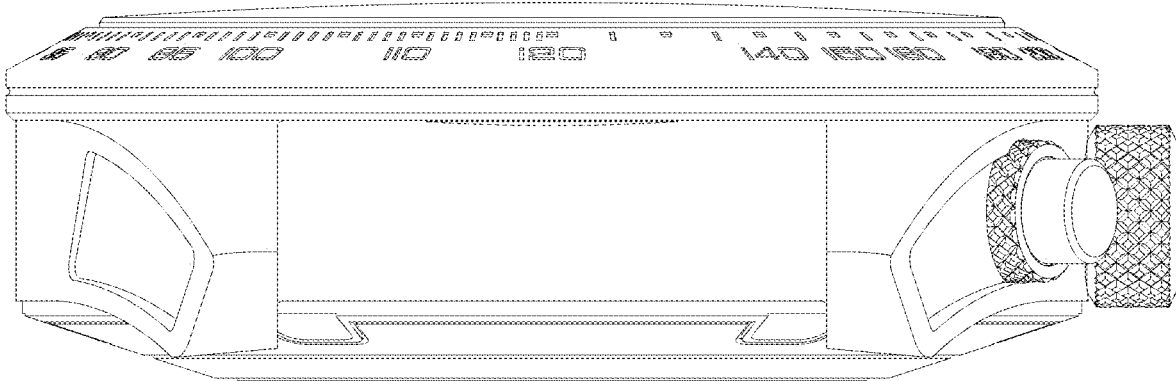


Fig. 4

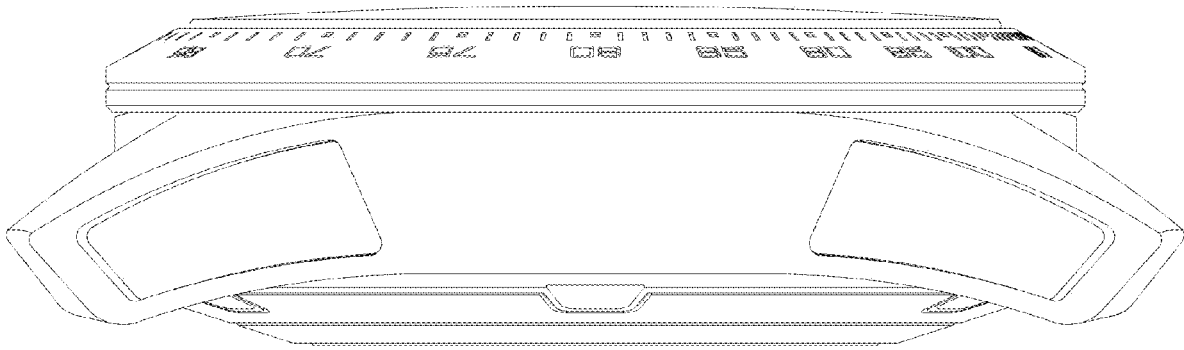


Fig. 5

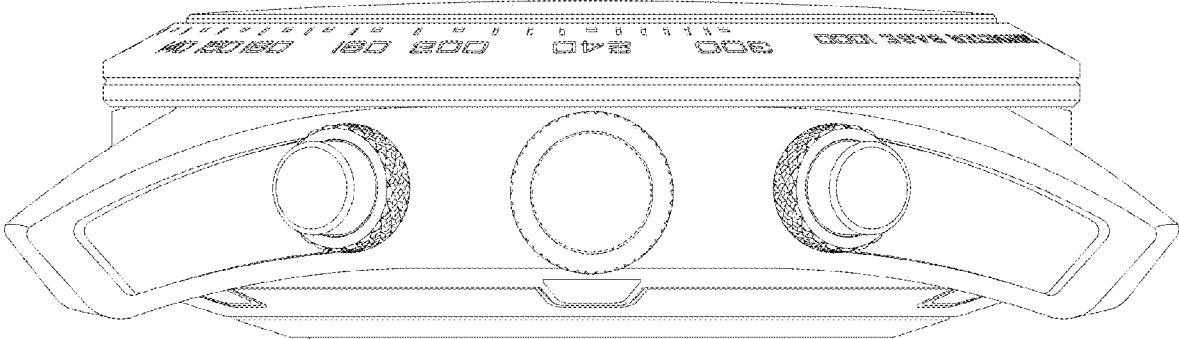


Fig. 6

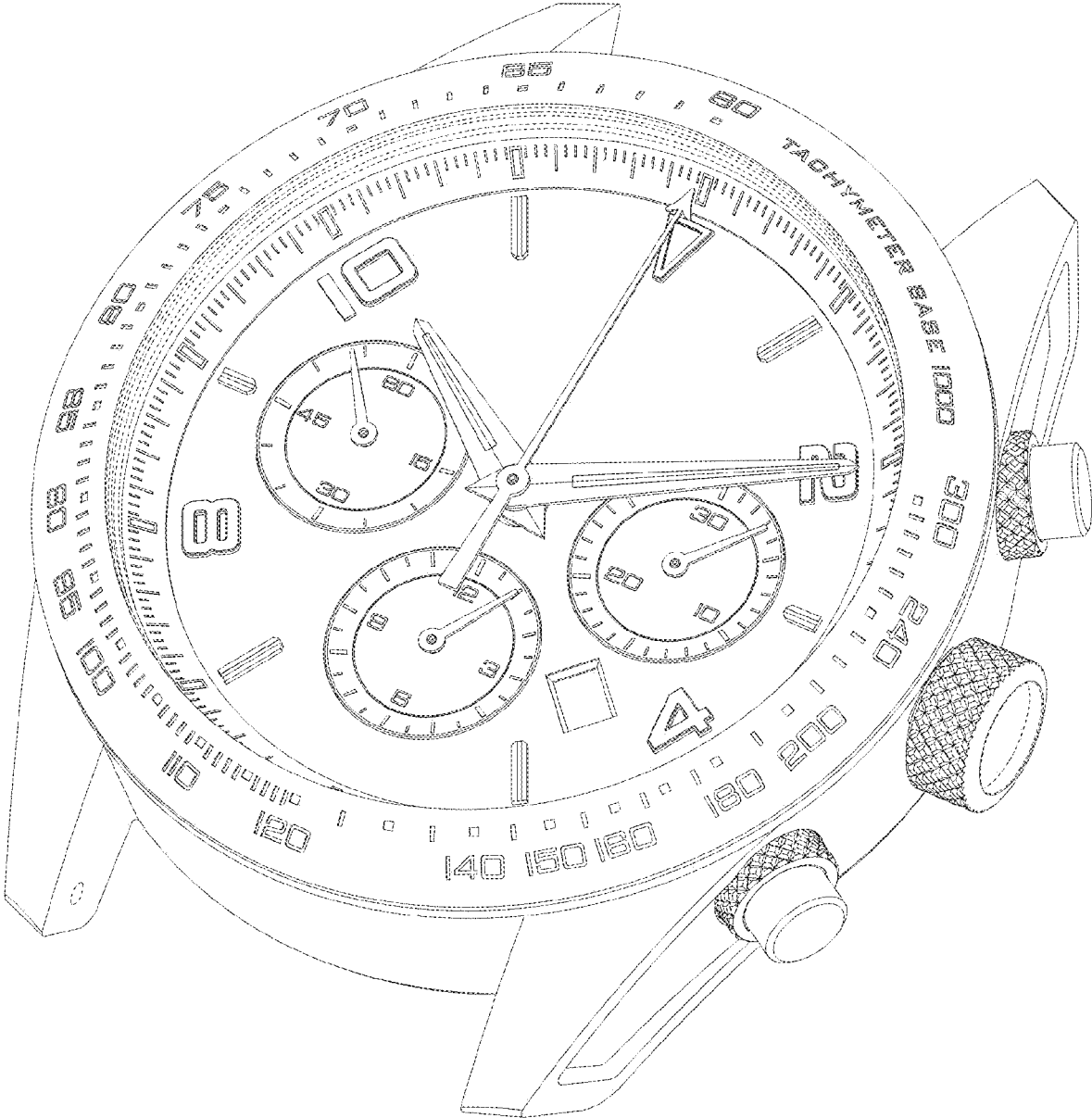


Fig. 7

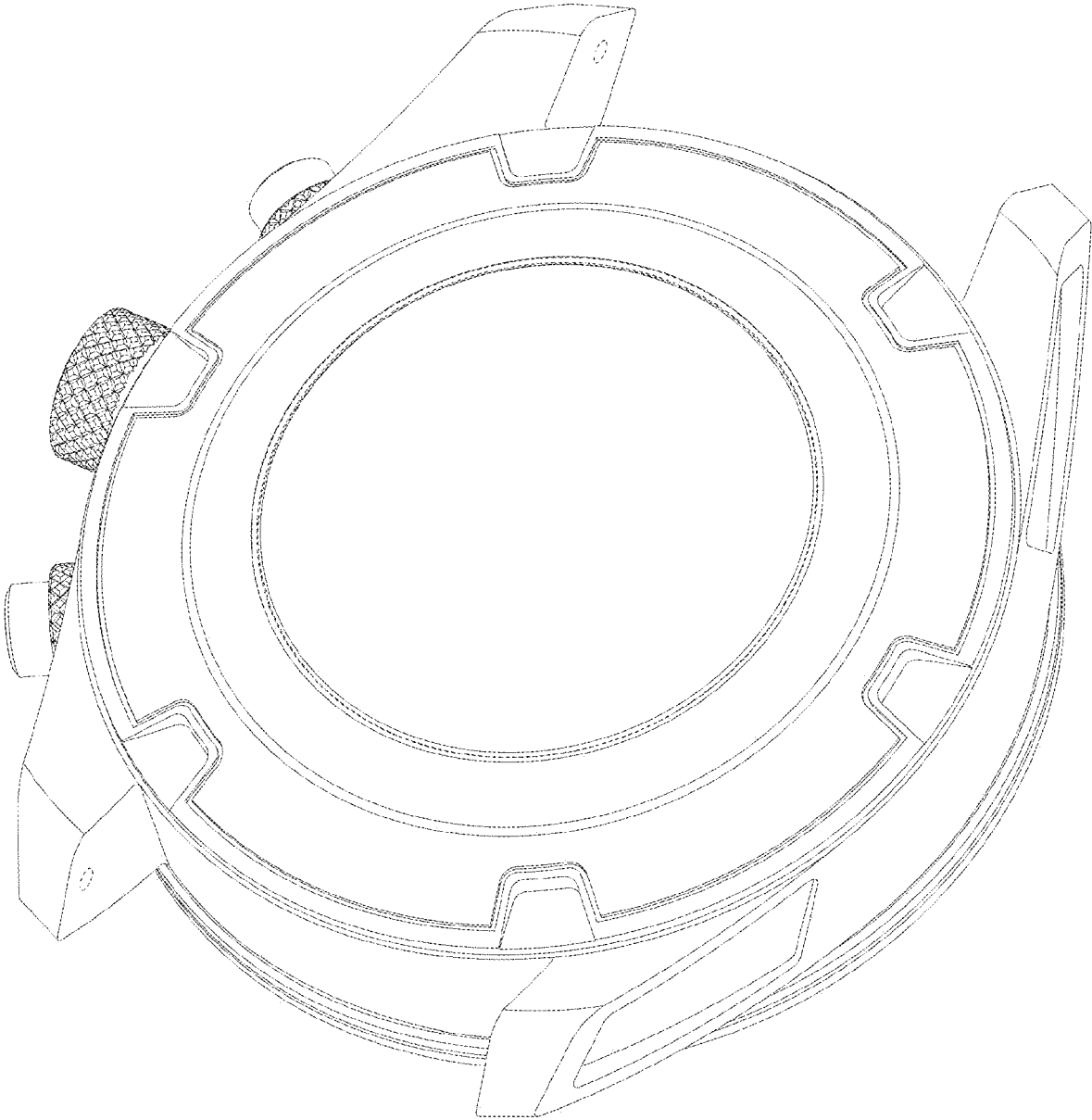


Fig. 8