



US00D665709S

(12) **United States Design Patent**
Longfellow et al.

(10) **Patent No.:** **US D665,709 S**

(45) **Date of Patent:** **** Aug. 21, 2012**

(54) **BICYCLE RACK**

(75) Inventors: **Christopher J. Longfellow**, Lake Oswego, OR (US); **Steven K. Kirn**, Vancouver, WA (US)

(73) Assignee: **Columbia Cascade Company**, Portland, OR (US)

(**) Term: **14 Years**

(21) Appl. No.: **29/392,985**

(22) Filed: **May 27, 2011**

(51) **LOC (9) Cl.** **12-11**

(52) **U.S. Cl.** **D12/115**

(58) **Field of Classification Search** D12/115,
D12/120; 211/5, 17-24, 181.1, 182; D6/462;
248/175, 176.1, 302; 280/293

See application file for complete search history.

(56) **References Cited**

U.S. PATENT DOCUMENTS

2,806,605	A	*	9/1957	Loveland	211/22
D301,217	S	*	5/1989	Mailhot et al.	D12/115
D337,083	S	*	7/1993	Rankin	D12/115
D408,763	S	*	4/1999	Graber	D12/115
D408,764	S	*	4/1999	Graber	D12/115
D409,118	S	*	5/1999	Graber	D12/115
D477,255	S	*	7/2003	Saez	D12/115

* cited by examiner

Primary Examiner — Susan M Lee

Assistant Examiner — Linda G. Brooks

(74) *Attorney, Agent, or Firm* — Schwabe, Williamson & Wyatt, P.C.

(57) **CLAIM**

We claim the ornamental design for a bicycle rack, as shown and described.

DESCRIPTION

FIG. 1 is a front elevational view of a first embodiment of the bicycle rack;

FIG. 2 is a side view of the bicycle rack illustrated in FIG. 1;

FIG. 3 is a top view of the bicycle rack illustrated in FIG. 1;

FIG. 4 is a side view of the bicycle rack illustrated in FIG. 1,

turned 90 degrees from FIG. 2;

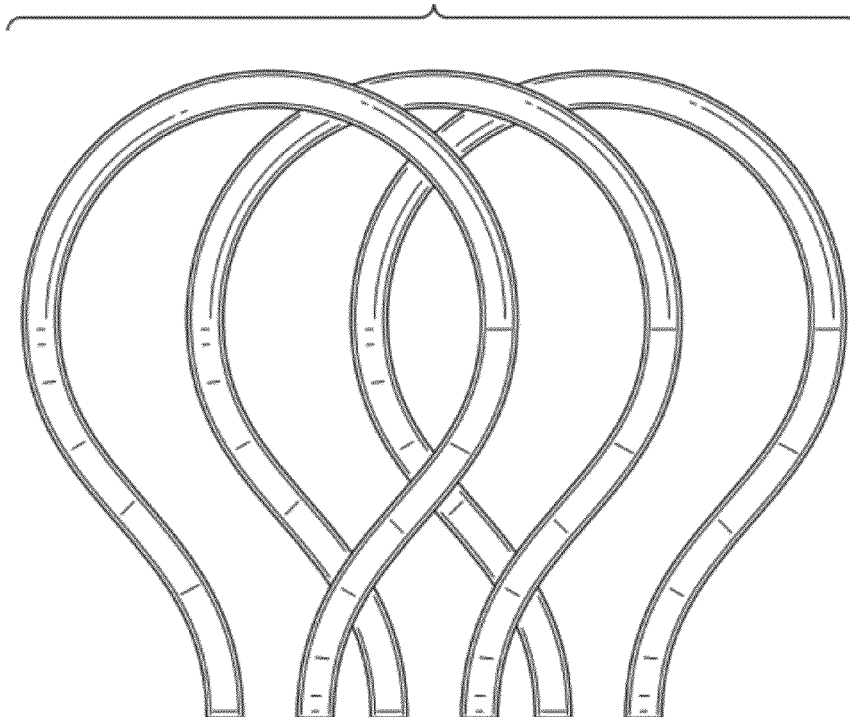
FIG. 5 is a front elevational view of a second embodiment of the bicycle rack;

FIG. 6 is a top view of the bicycle rack illustrated in FIG. 5; and,

FIG. 7 is a side view of the bicycle rack illustrated in FIG. 5, turned 90 degrees from FIG. 5.

The only difference between the second embodiment and the first embodiment is the addition of two identical rack elements.

1 Claim, 4 Drawing Sheets



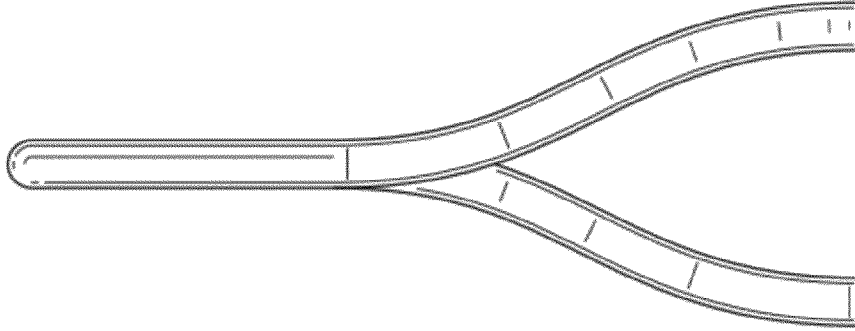


FIG. 2

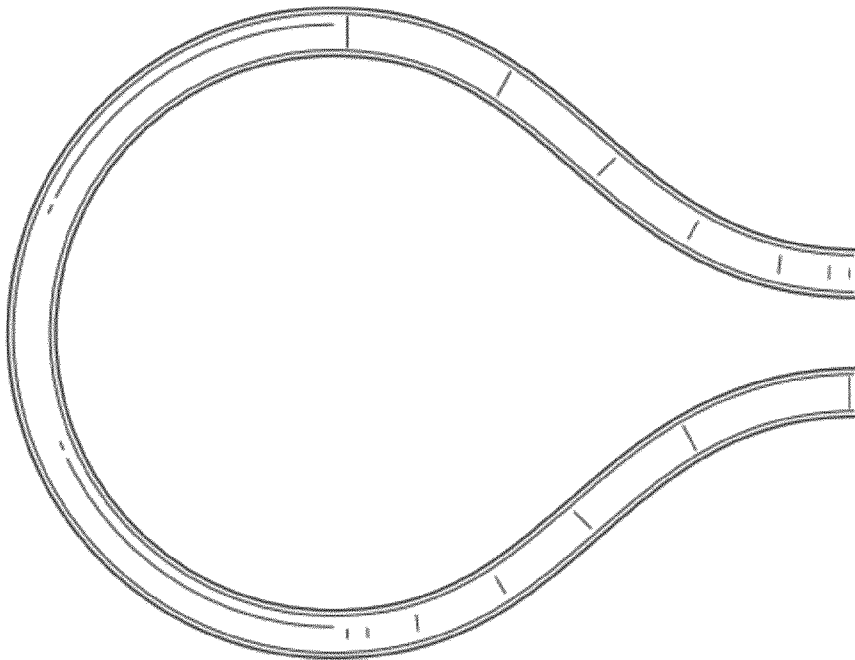


FIG. 1

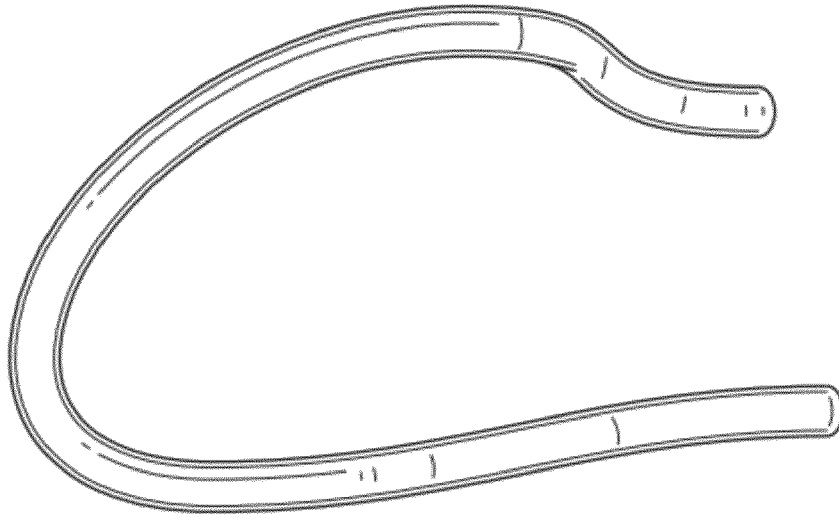


FIG. 4

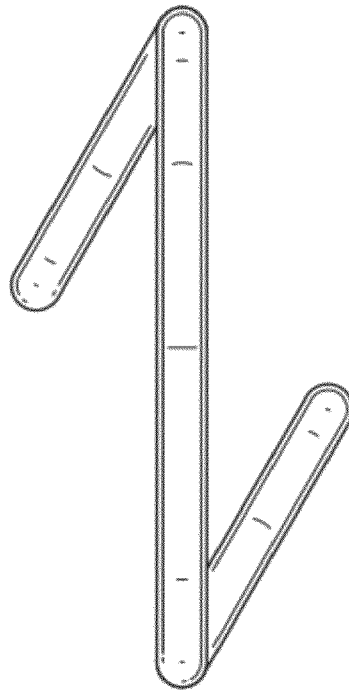
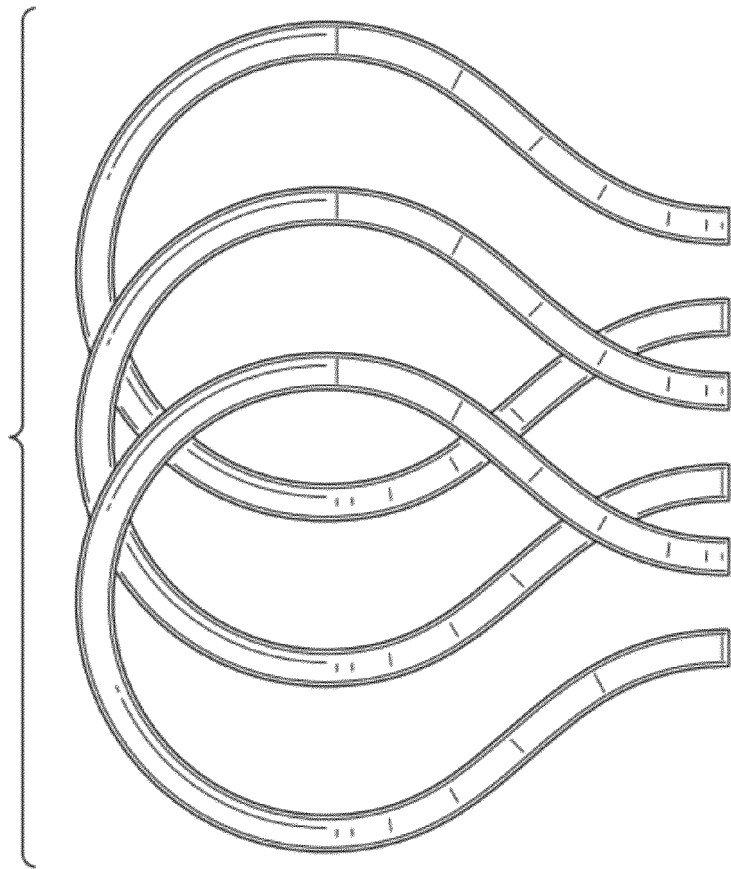
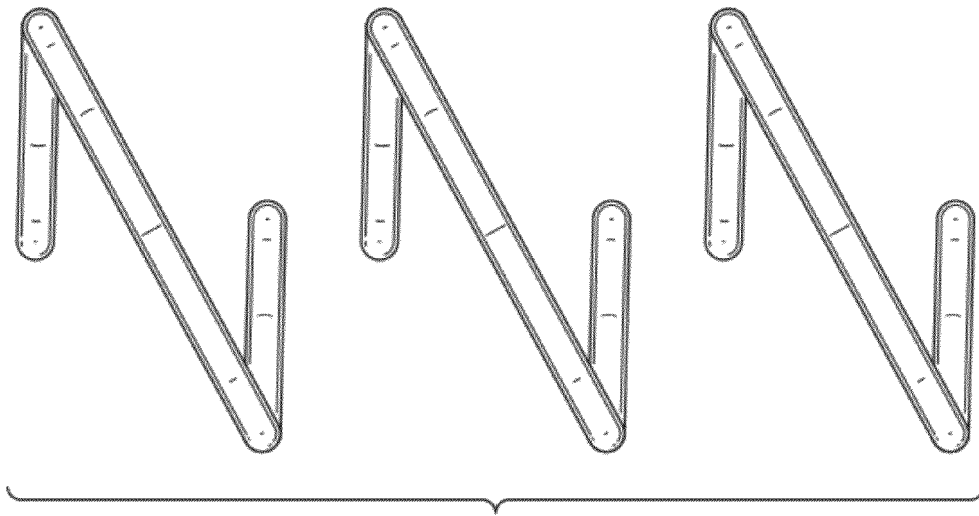


FIG. 3



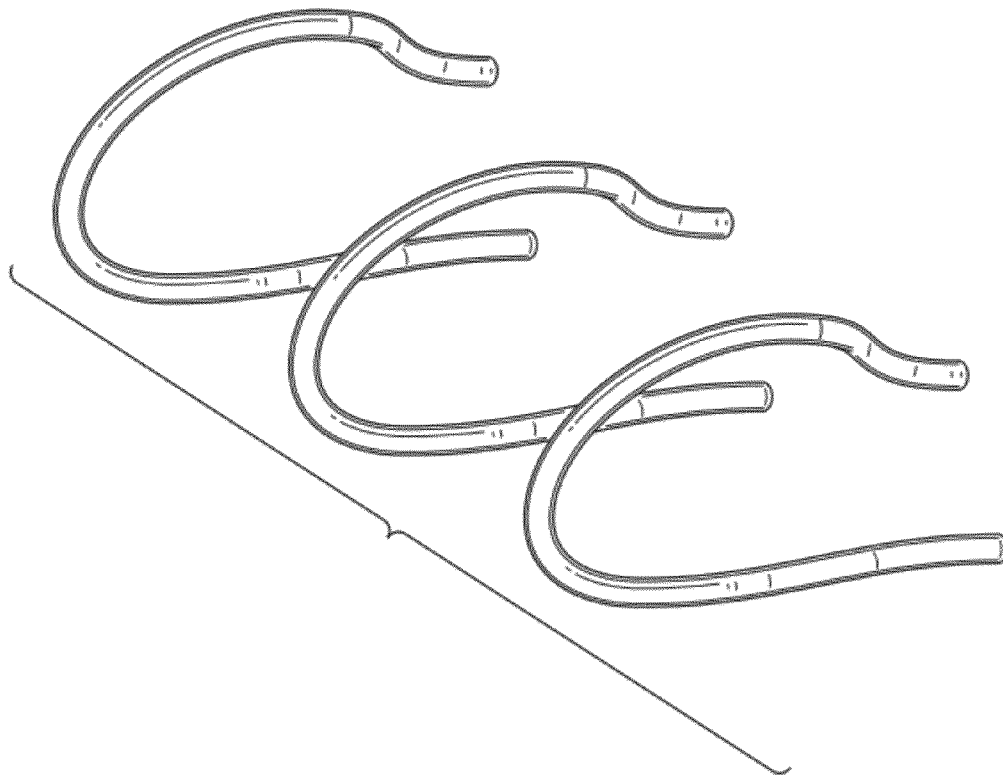


FIG. 7