



US00D884885S

(12) **United States Design Patent**  
**Hu et al.**

(10) **Patent No.:** **US D884,885 S**  
(45) **Date of Patent:** **\*\* May 19, 2020**

- (54) **PINCH CLAMP**
- (71) Applicant: **Becton, Dickinson and Company**,  
Franklin Lakes, NJ (US)
- (72) Inventors: **Olivia Hu**, Shanghai (CN); **Ralph L. Sonderegger**, Farmington, UT (US);  
**Shaun Staley**, Murray, UT (US)
- (73) Assignee: **Becton, Dickinson and Company**,  
Franklin Lakes, NJ (US)
- (\*\*) Term: **15 Years**
- (21) Appl. No.: **29/665,586**
- (22) Filed: **Oct. 4, 2018**
- (51) **LOC (12) Cl.** ..... **24-02**
- (52) **U.S. Cl.**  
USPC ..... **D24/128**
- (58) **Field of Classification Search**  
USPC ..... D24/128, 133, 143, 129, 135; 606/157;  
128/910, DIG. 25; 248/74.2, 316.1;  
D8/390, 395; 24/499, 562-563, 536, 557,  
24/293, 508, 910  
CPC ..... B25B 1/00; B25B 5/00; B25B 1/2478;  
B25B 1/103; B25B 1/22; B25B 1/2405;  
B25B 1/2457  
See application file for complete search history.

5,695,505	A *	12/1997	Yoon	.....	A61B 17/0487
					606/151
5,913,862	A *	6/1999	Ramsey	.....	A61B 17/122
					606/120
D427,307	S *	6/2000	Guala	.....	D24/129
D428,330	S *	7/2000	Johnston	.....	D8/395
D431,650	S *	10/2000	Guala	.....	D24/129
D484,400	S *	12/2003	Blake	.....	D8/356
D507,481	S *	7/2005	Blake	.....	D8/356
D517,884	S *	3/2006	Ellingwood	.....	D24/133
D518,687	S *	4/2006	Baker	.....	D24/143
D619,711	S *	7/2010	Lombardo	.....	D24/128
D637,712	S *	5/2011	Chau	.....	D24/129
D638,121	S *	5/2011	Villasana	.....	D24/128
D809,370	S *	2/2018	Tang	.....	D8/356
D810,555	S *	2/2018	O'Brien	.....	D8/394
D827,418	S *	9/2018	Austin	.....	D8/356
2011/0009717	A1 *	1/2011	Davis	.....	A61B 5/1405
					600/309
2015/0018783	A1 *	1/2015	Myers	.....	A61M 39/28
					604/319
2016/0213889	A1 *	7/2016	Sos	.....	A61M 25/09
2017/0326339	A1 *	11/2017	Bailey	.....	A61M 25/0021

(Continued)

*Primary Examiner* — Nathan M Johnston  
(74) *Attorney, Agent, or Firm* — Kirton & McConkie;  
Craig Metcalf; Kevin Stinger

(57) **CLAIM**

The ornamental design for a pinch clamp, as shown.

**DESCRIPTION**

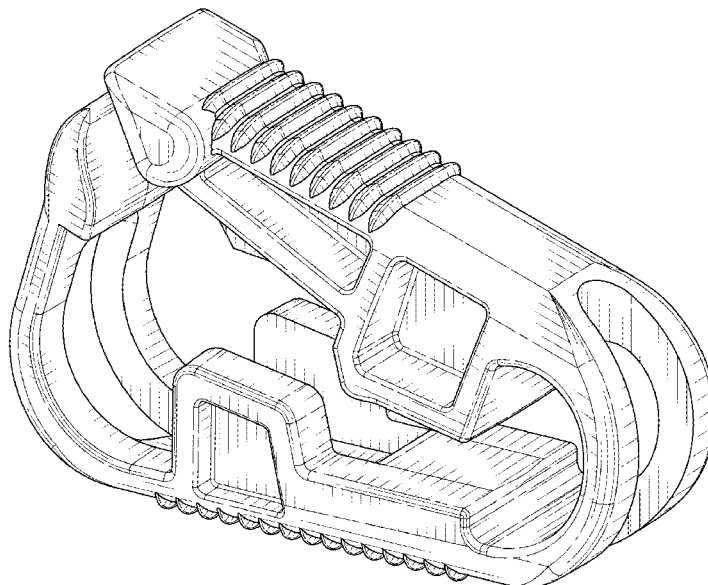
FIG. 1 is a front perspective view of a pinch clamp showing our new design;  
FIG. 2 is a front elevation view thereof;  
FIG. 3 is a rear elevation view thereof;  
FIG. 4 is a left elevation view thereof;  
FIG. 5 is a right elevation view thereof;  
FIG. 6 is a top plan view thereof; and,  
FIG. 7 is a bottom plan view thereof.

**1 Claim, 4 Drawing Sheets**

(56) **References Cited**

U.S. PATENT DOCUMENTS

4,588,160	A *	5/1986	Flynn	.....	A61M 39/284
					251/10
4,589,626	A *	5/1986	Kurtz	.....	A61M 39/288
					251/10
D286,014	S *	10/1986	Davis	.....	D8/395
4,744,788	A *	5/1988	Mercer, Jr.	.....	A61B 17/122
					604/500
D298,216	S *	10/1988	Eisenberg	.....	D24/129



(56)

**References Cited**

U.S. PATENT DOCUMENTS

2019/0275300 A1\* 9/2019 Rosenberg ..... A61M 25/0097  
2019/0321616 A1\* 10/2019 Akahori ..... A61M 39/10

\* cited by examiner

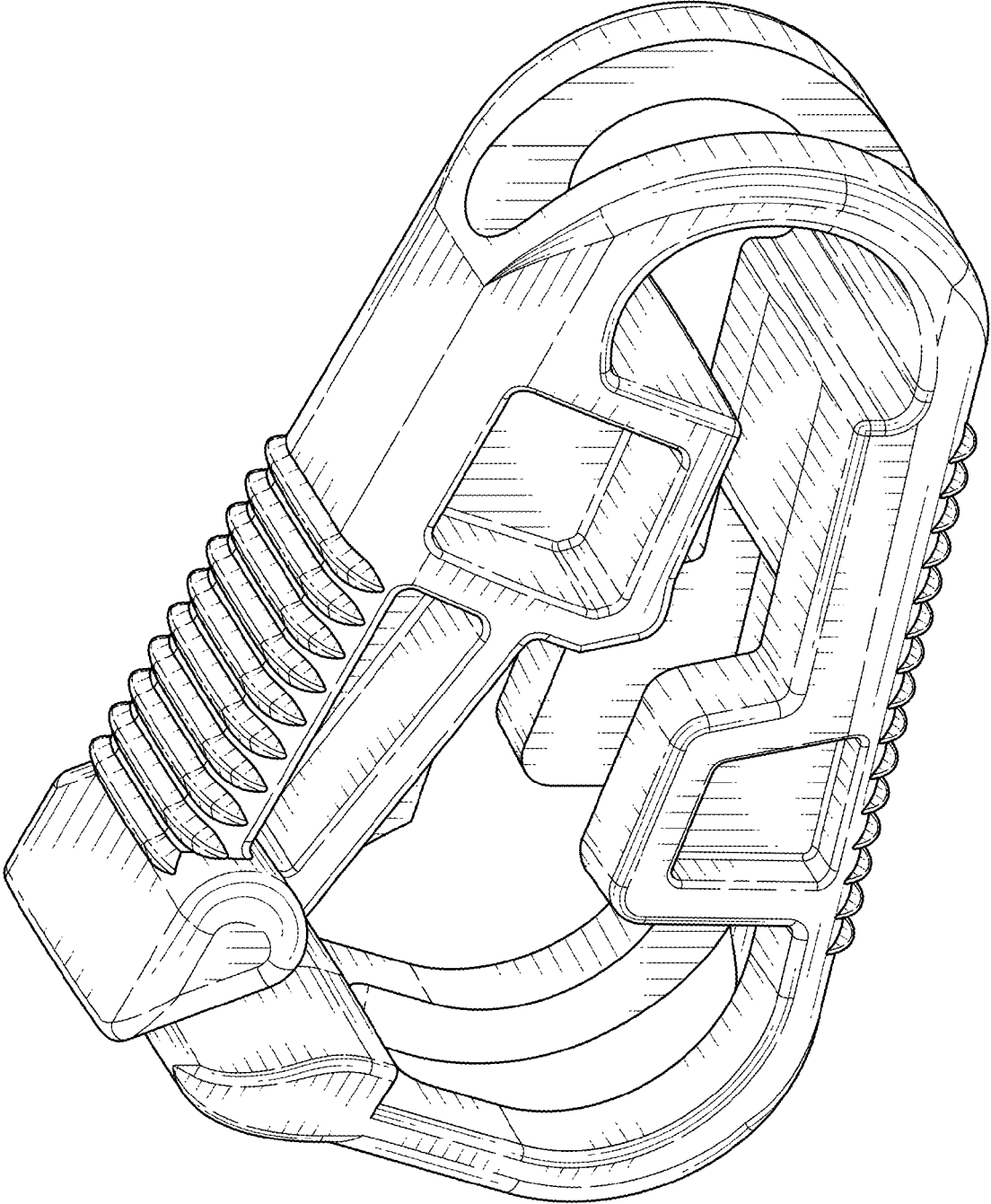


FIG. 1

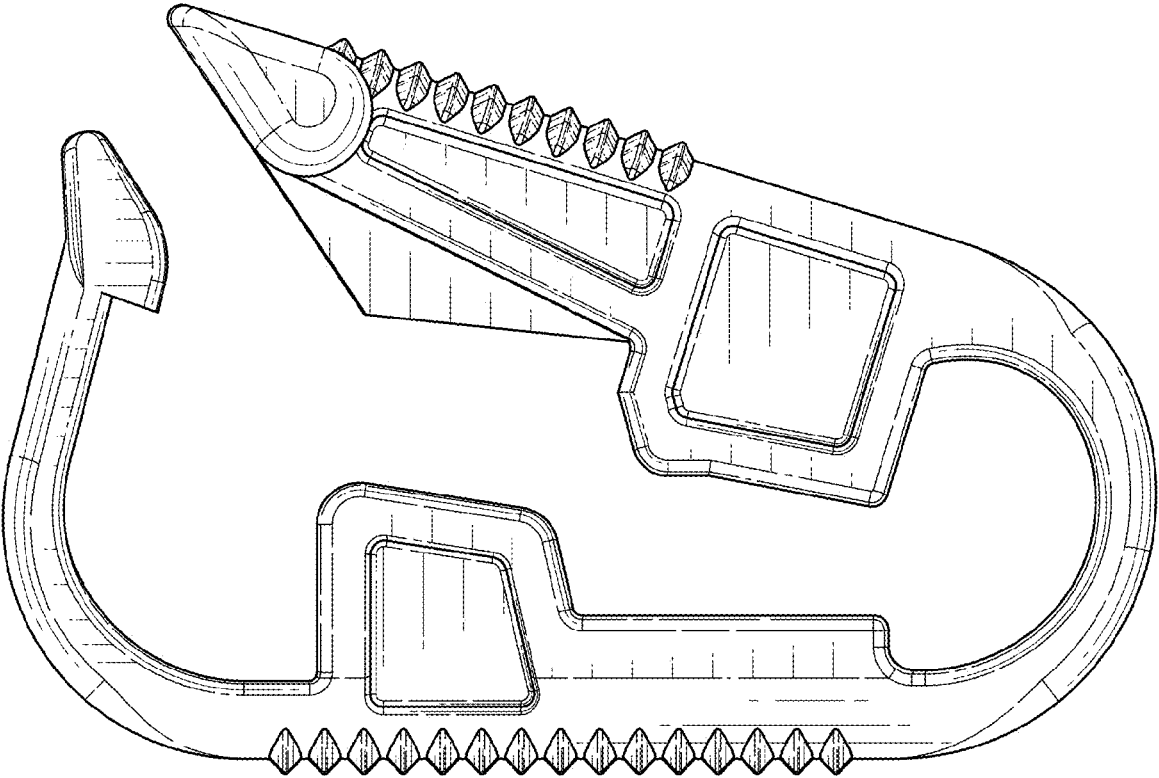


FIG. 2

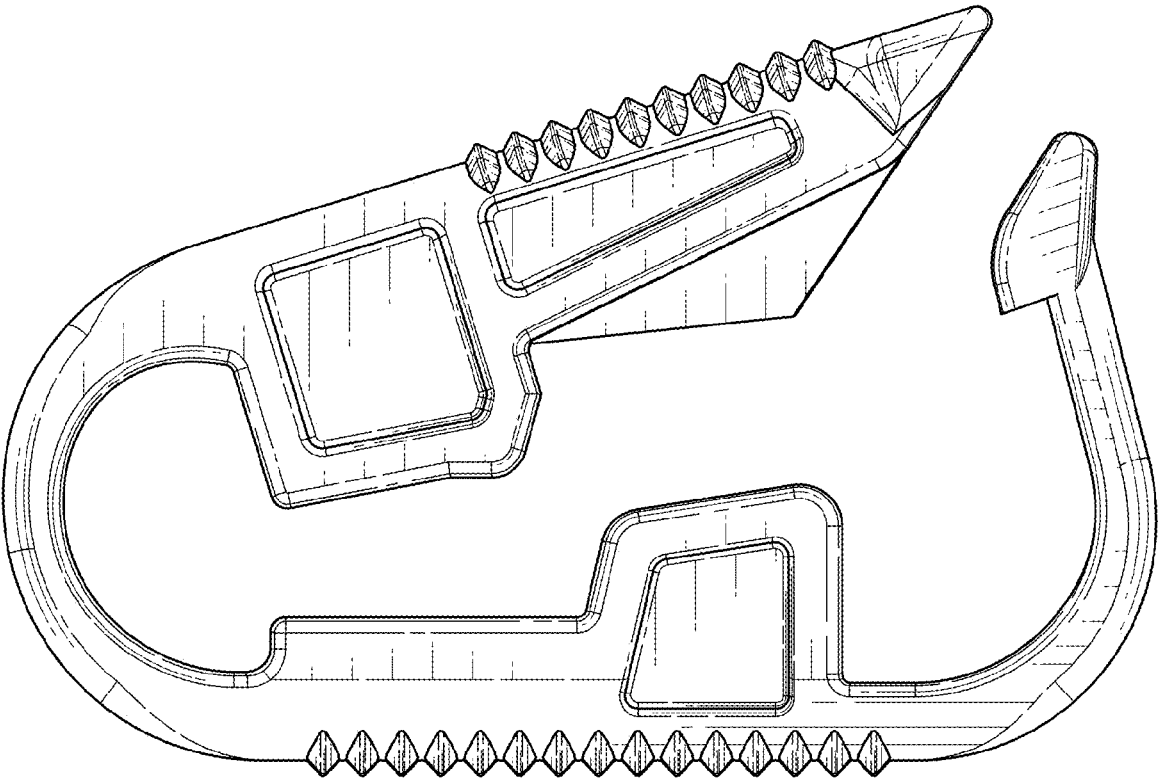


FIG. 3

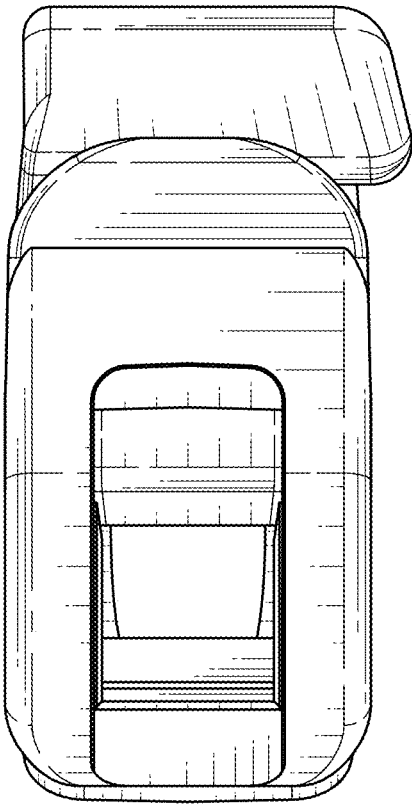


FIG. 4

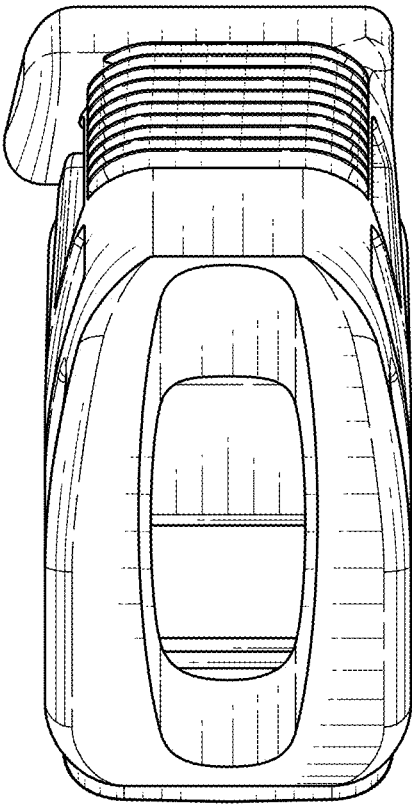


FIG. 5

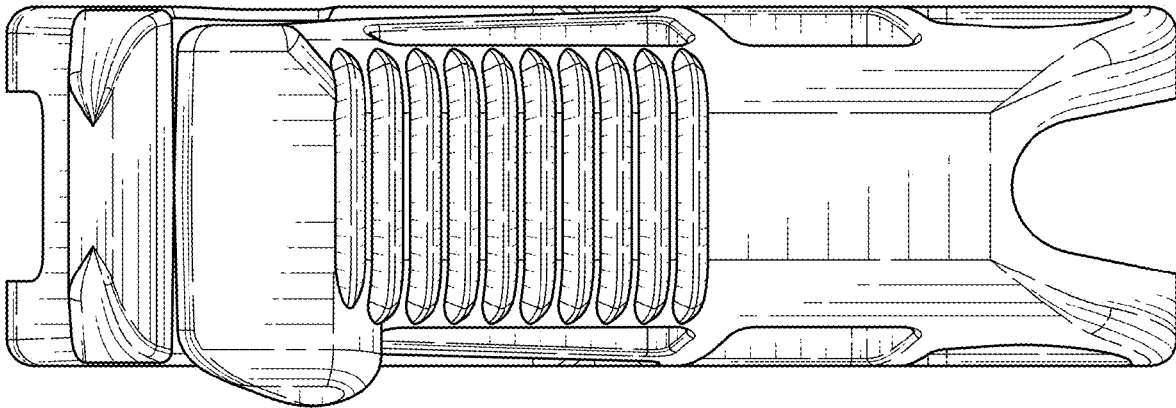


FIG. 6

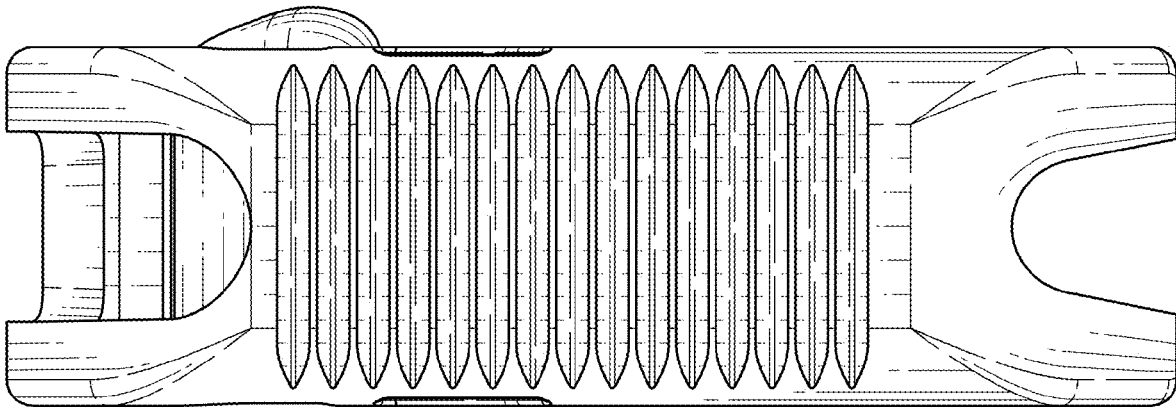


FIG. 7