



US00D790148S

(12) **United States Design Patent**
Kang

(10) **Patent No.:** **US D790,148 S**

(45) **Date of Patent:** **** Jun. 20, 2017**

(54) **FORKLIFT**

(71) Applicant: **DOOSAN CORPORATION**, Seoul (KR)

(72) Inventor: **Sung Kyu Kang**, Gyeonggi-do (KR)

(73) Assignee: **DOOSAN CORPORATION**, Seoul (KR)

(**) Term: **15 Years**

(21) Appl. No.: **29/550,079**

(22) Filed: **Dec. 30, 2015**

(51) **LOC (10) Cl.** **12-05**

(52) **U.S. Cl.** **D34/34**

(58) **Field of Classification Search**

USPC D34/34; D15/23-33; 187/222, 237, 238; 414/631, 592

CPC B66F 9/06; B66F 9/24; B66F 9/12; B66F 9/0755; B66F 9/07572; B66F 17/003

See application file for complete search history.

(56) **References Cited**

U.S. PATENT DOCUMENTS

D393,134 S * 3/1998 Mariano D34/28
D427,409 S * 6/2000 Sato D34/34

D557,474 S * 12/2007 Kouyama D34/34
D634,504 S * 3/2011 Radaelli D34/34
D657,932 S * 4/2012 Kazaoka D34/34
D663,502 S * 7/2012 Lin D34/34
D663,503 S * 7/2012 Lin D34/34
D694,984 S * 12/2013 Kawakami D34/34
D725,863 S * 3/2015 Kazaoka D34/34
D731,737 S * 6/2015 Seimiya D34/34
D741,565 S * 10/2015 Schweig D34/34
D756,058 S * 5/2016 Kang D34/34
D778,524 S * 2/2017 Kang D34/34

* cited by examiner

Primary Examiner — Cynthia Ramirez

(74) *Attorney, Agent, or Firm* — Volpe and Koenig, PC.

(57) **CLAIM**

The ornamental design for forklift, as shown and described.

DESCRIPTION

FIG. 1 is a perspective view of the forklift;
FIG. 2 is a front view of the forklift;
FIG. 3 is a rear view of the forklift;
FIG. 4 is a left side view of the forklift;
FIG. 5 is a right side view of the forklift;
FIG. 6 is a top view of the forklift; and,
FIG. 7 is a bottom view of the forklift.

1 Claim, 5 Drawing Sheets

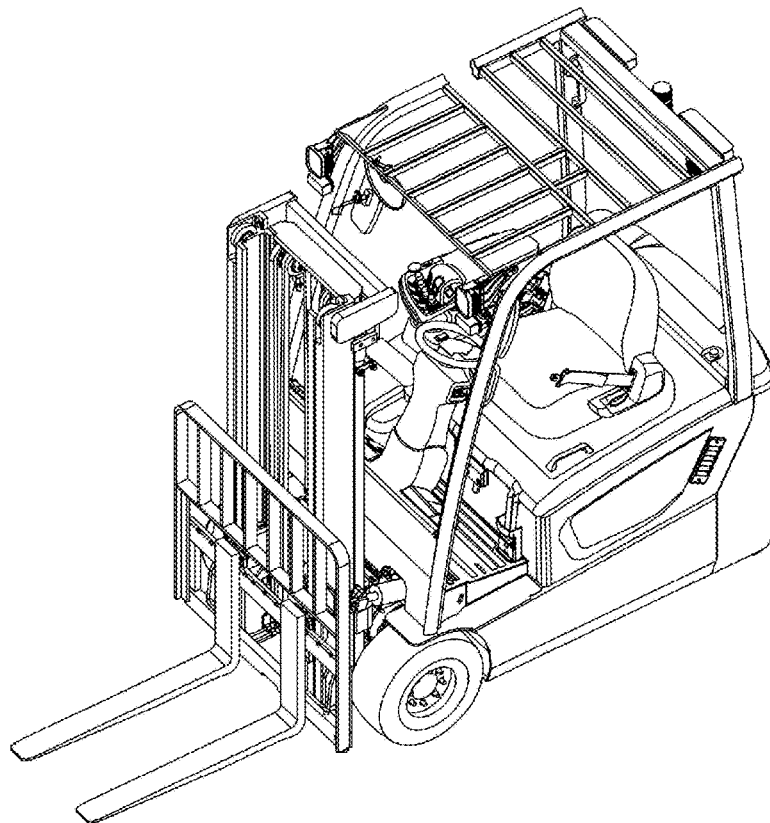


FIG. 1

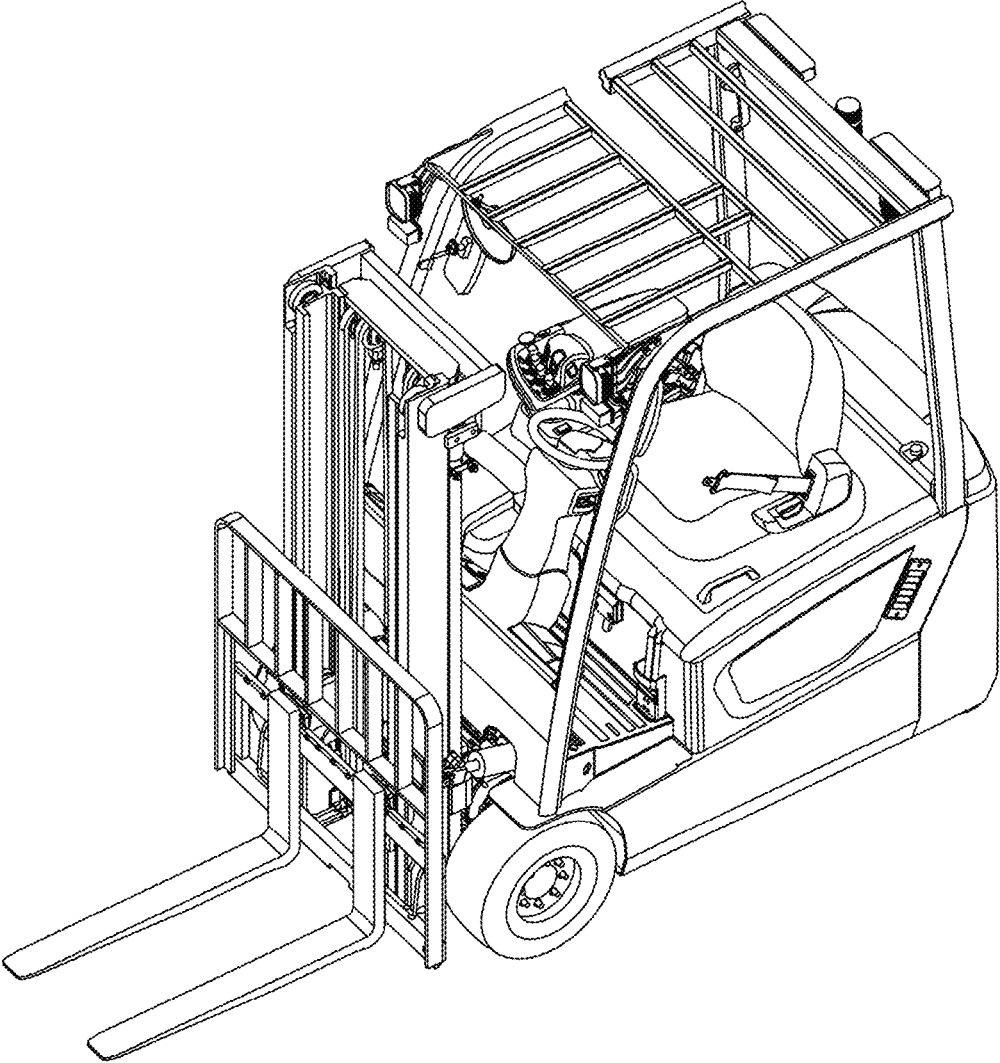


FIG. 2

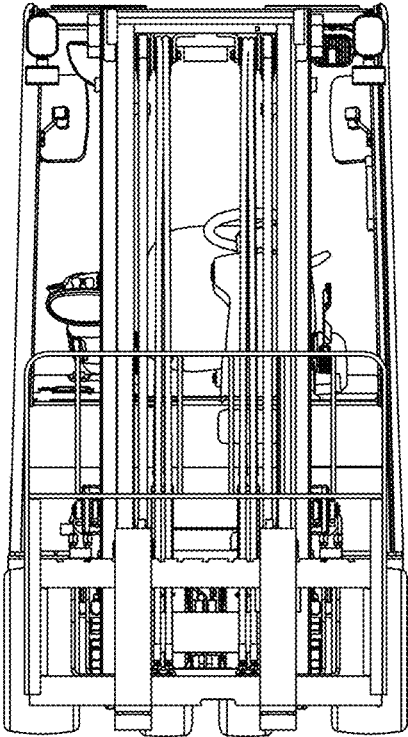
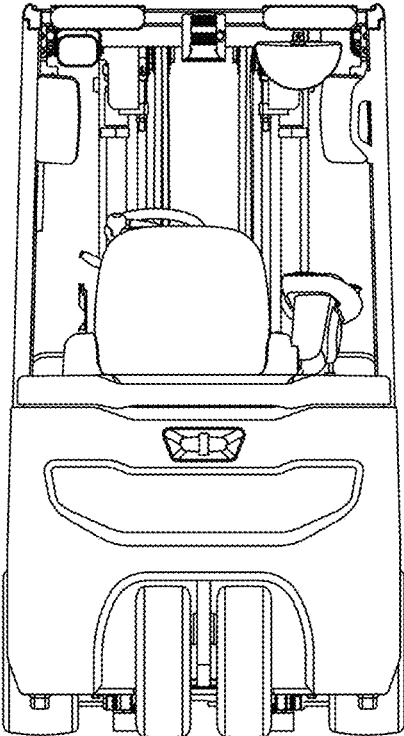


FIG. 3



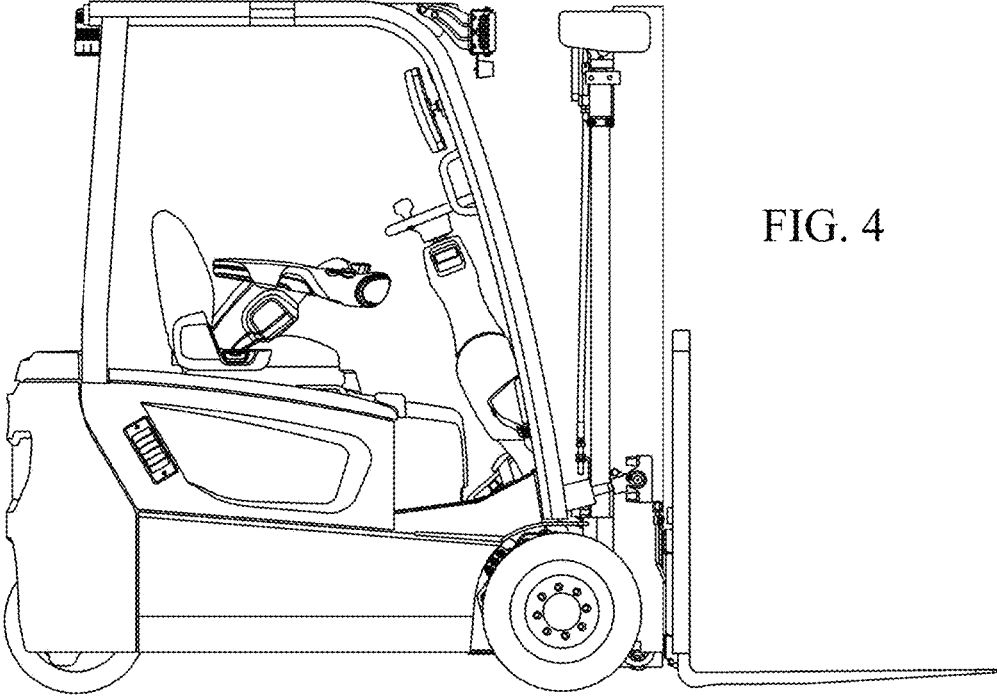


FIG. 4

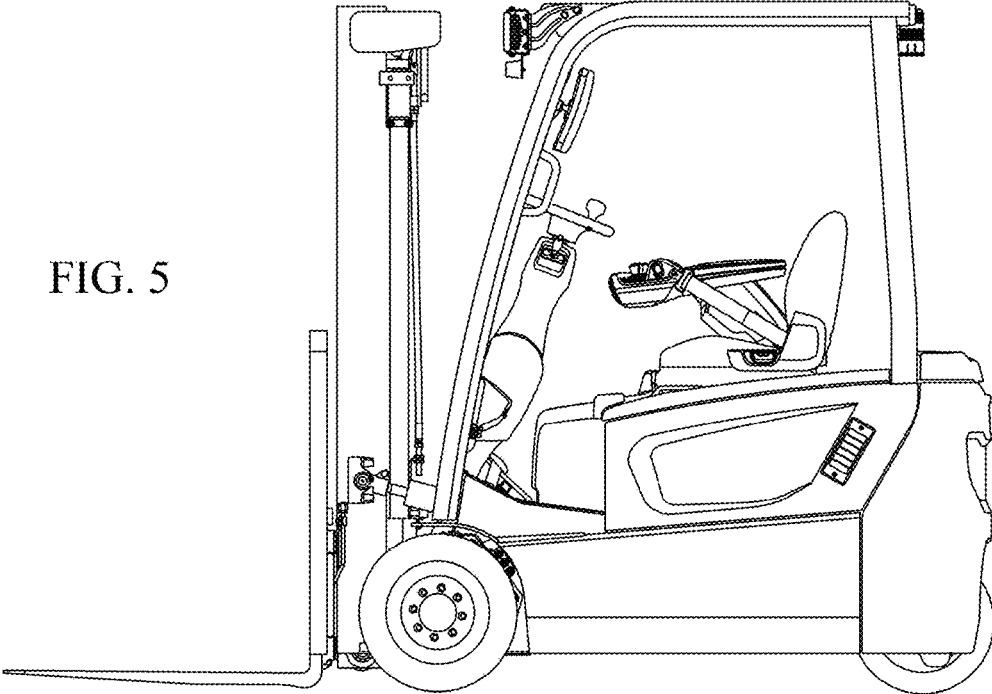


FIG. 5

FIG. 6

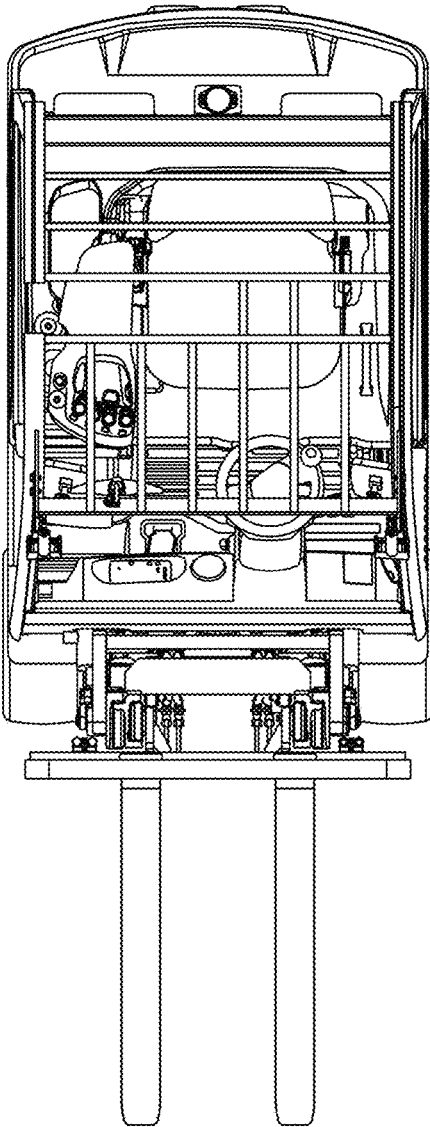


FIG. 7

