



US00D749149S

(12) **United States Design Patent**
McAdam et al.

(10) **Patent No.:** **US D749,149 S**

(45) **Date of Patent:** **** Feb. 9, 2016**

(54) **WHEELED WORK VEHICLE CAB**

D541,825 S * 5/2007 Pettersson D15/30
D549,245 S * 8/2007 Antonetti D15/30
D550,722 S * 9/2007 Doll D15/23

(71) Applicant: **MULTIHOG LIMITED**, Dundalk,
County Louth (IE)

(Continued)

(72) Inventors: **James McAdam**, Carlingford (IE);
Gerard McHugh, Carrickmacross (IE);
Daniel Patrick Begley, Dundalk (IE)

Primary Examiner — Mark Goodwin

(74) *Attorney, Agent, or Firm* — Sughrue Mion, PLLC

(73) Assignee: **Multihog Limited**, Dundalk, County
Louth (IE)

(57) **CLAIM**

The ornamental design for a wheeled work vehicle cab, as shown and described.

(**) Term: **14 Years**

DESCRIPTION

(21) Appl. No.: **29/512,520**

FIG. 1 is a front perspective view from the front, the top and one side of a wheeled work vehicle cab according to the design illustrated on a wheeled work vehicle,

(22) Filed: **Dec. 19, 2014**

FIG. 2 is a perspective view from the rear, the top and the other side to that of FIG. 1 of the wheeled work vehicle cab of FIG. 1 illustrated on the wheeled work vehicle of FIG. 1,

(51) **LOC (10) Cl.** **15-03**

(52) **U.S. Cl.**

USPC **D15/30**

(58) **Field of Classification Search**

USPC D15/28, 30, 31, 22-26; D34/37;
180/89.11, 89.12, 89.13, 89.19, 900

CPC B66C 13/54; E02F 9/16; E02F 9/163;
B62D 33/0617; B60J 7/00; B60J 1/004

See application file for complete search history.

FIG. 3 is a front elevational view of the wheeled work vehicle cab of FIG. 1 illustrated on the wheeled work vehicle of FIG. 1,

FIG. 4 is a side elevational view of the wheeled work vehicle cab of FIG. 1 illustrated on the wheeled work vehicle of FIG. 1,

FIG. 5 is a side elevational view of the wheeled work vehicle cab of FIG. 1, from the other side to that of FIG. 4, illustrated on the wheeled work vehicle of FIG. 1,

FIG. 6 is a rear end elevational view of the wheeled work vehicle cab of FIG. 1 illustrated on the wheeled work vehicle of FIG. 1; and,

FIG. 7 is a top plan view of the wheeled work vehicle cab of FIG. 1 illustrated on the wheeled work vehicle of FIG. 1.

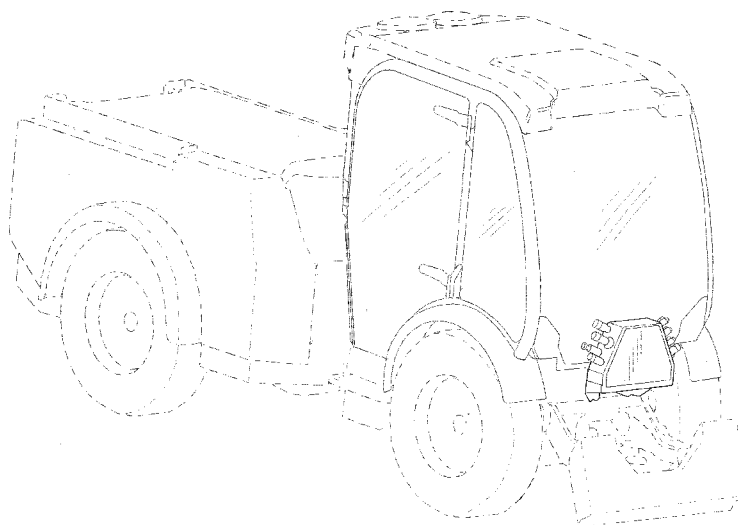
Only those parts of the wheeled work vehicle cab and the coupler box which are illustrated in full lines form the Design the subject of the Application. The parts of the wheeled work vehicle and the cab which are illustrated in broken lines are illustrated for illustrative purposes only and form no part of the Design the subject of the Application.

(56) **References Cited**

U.S. PATENT DOCUMENTS

D245,697	S	*	9/1977	Skyer	D15/30
D258,823	S	*	4/1981	Skyer	D15/30
D274,063	S	*	5/1984	Skaff	D15/30
D307,203	S	*	4/1990	Martinez	D15/30
D312,827	S	*	12/1990	Boddin	D15/30
D323,659	S	*	2/1992	Jacobsson	D15/30
5,096,253	A	*	3/1992	Jo	B60J 1/04 296/190.1
D455,763	S	*	4/2002	Brandenburg, III	D15/30
D471,213	S	*	3/2003	Kwak	D15/30
D479,536	S	*	9/2003	Dahl	D15/30
D528,134	S	*	9/2006	Vandendriessche	D15/30
D531,646	S	*	11/2006	McCarren, Jr.	D15/30

1 Claim, 7 Drawing Sheets



(56)

References Cited

U.S. PATENT DOCUMENTS

D561,205 S *	2/2008	Pettersson	D15/30	D642,205 S *	7/2011	Yamamoto	D15/30
D579,028 S *	10/2008	VanDeVeer	D15/30	D653,173 S *	1/2012	Dolesh	D12/96
D594,480 S *	6/2009	Gicquel	D15/30	D654,400 S *	2/2012	Dolesh	D12/96
D603,881 S *	11/2009	Tamplain, III	D15/30	D660,881 S *	5/2012	Bohme	D15/30
D605,207 S *	12/2009	Menges	D15/30	D661,321 S *	6/2012	Bohme	D15/22
D625,741 S *	10/2010	Seidel	D15/30	D667,851 S *	9/2012	Warr	D15/30
D635,156 S *	3/2011	Berning	D15/30	D668,693 S *	10/2012	Ringer	D15/30
D637,630 S *	5/2011	Yamamoto	D15/30	D670,745 S *	11/2012	Warr	D15/30
				D671,566 S *	11/2012	Fang	D15/30
				D678,360 S *	3/2013	Kozai	D15/30
				D687,868 S *	8/2013	Watson	D15/30

* cited by examiner

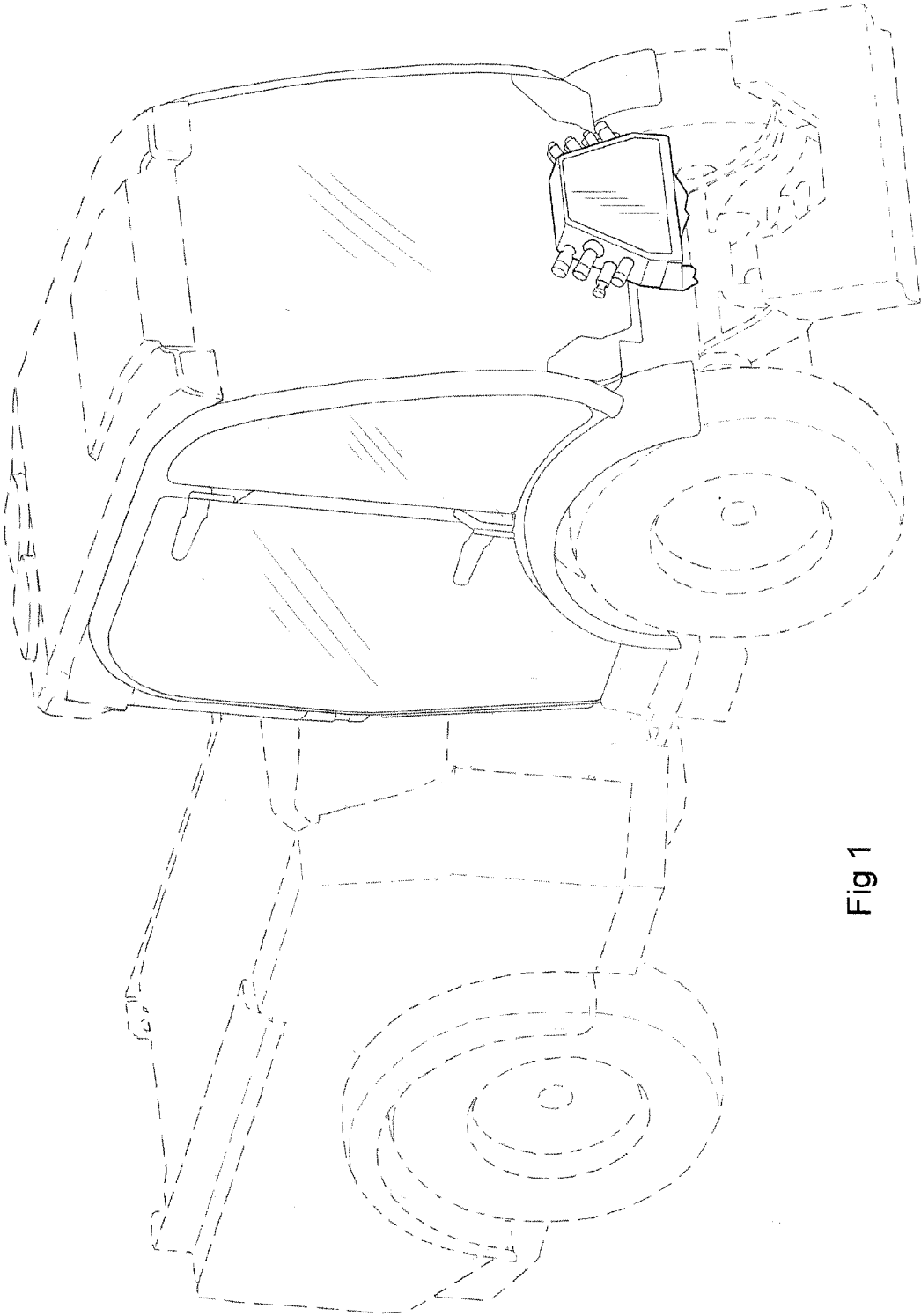


Fig 1

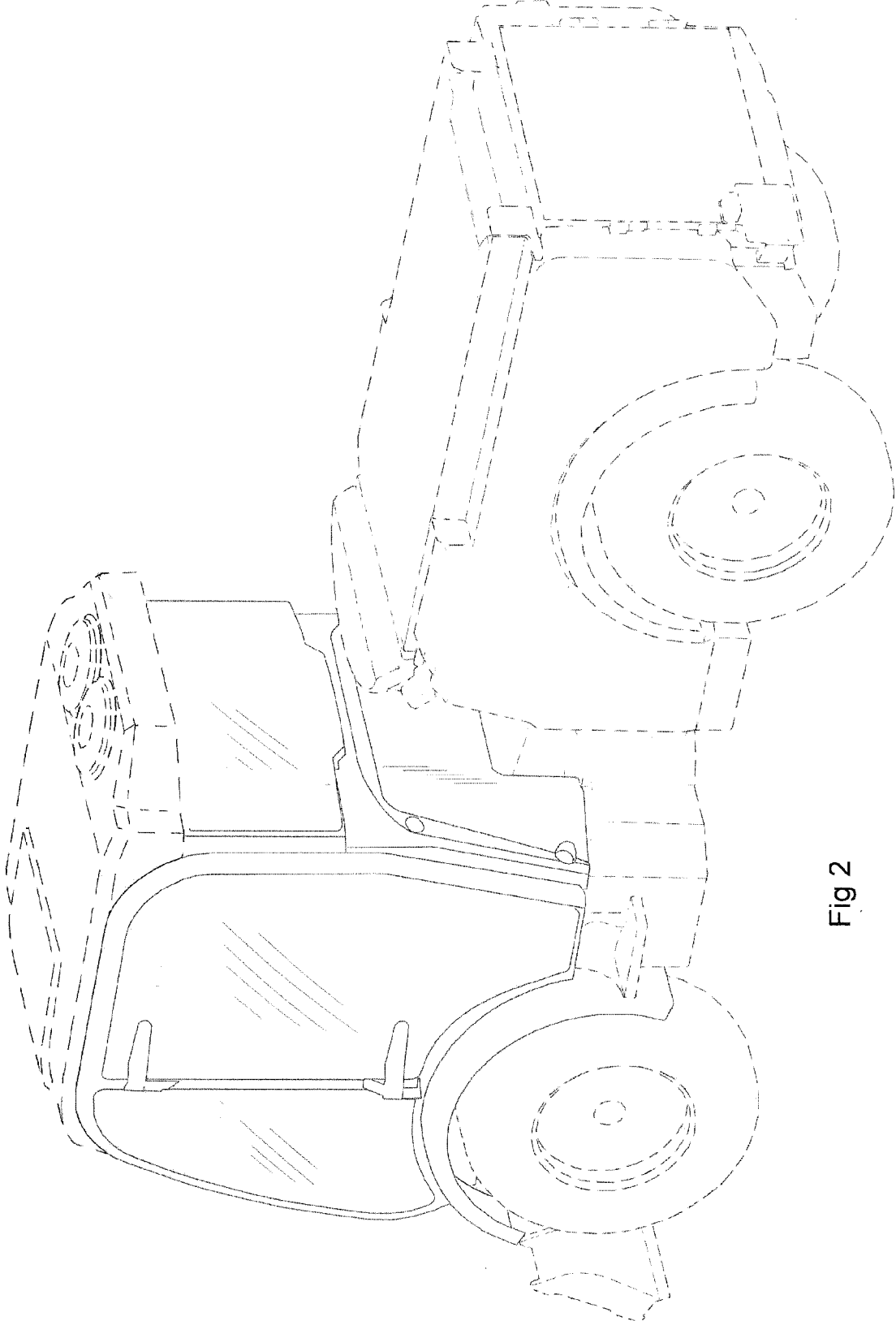


Fig 2

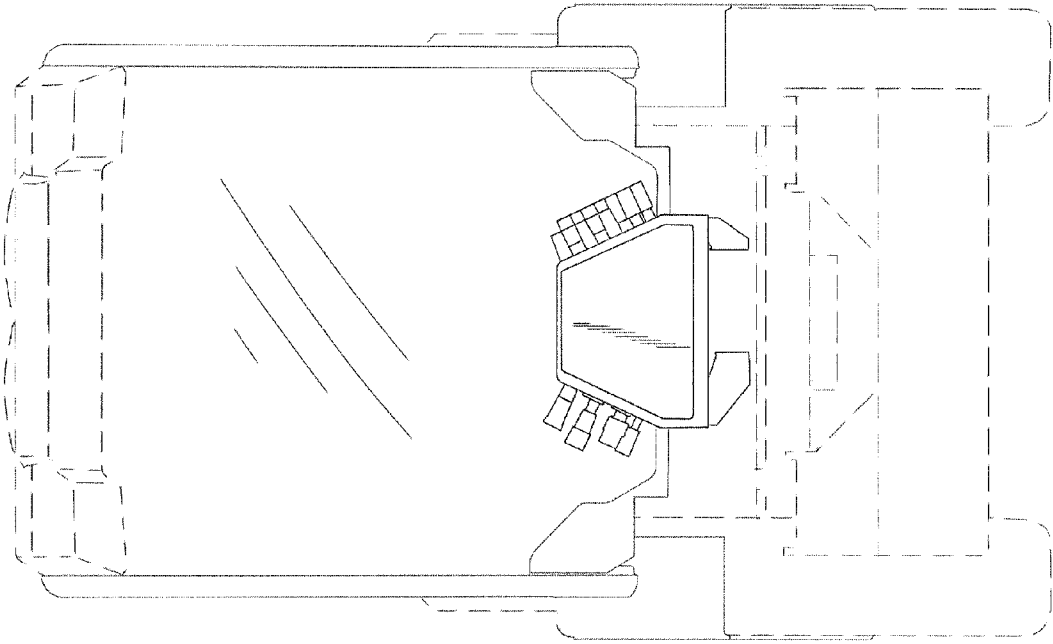


Fig 3

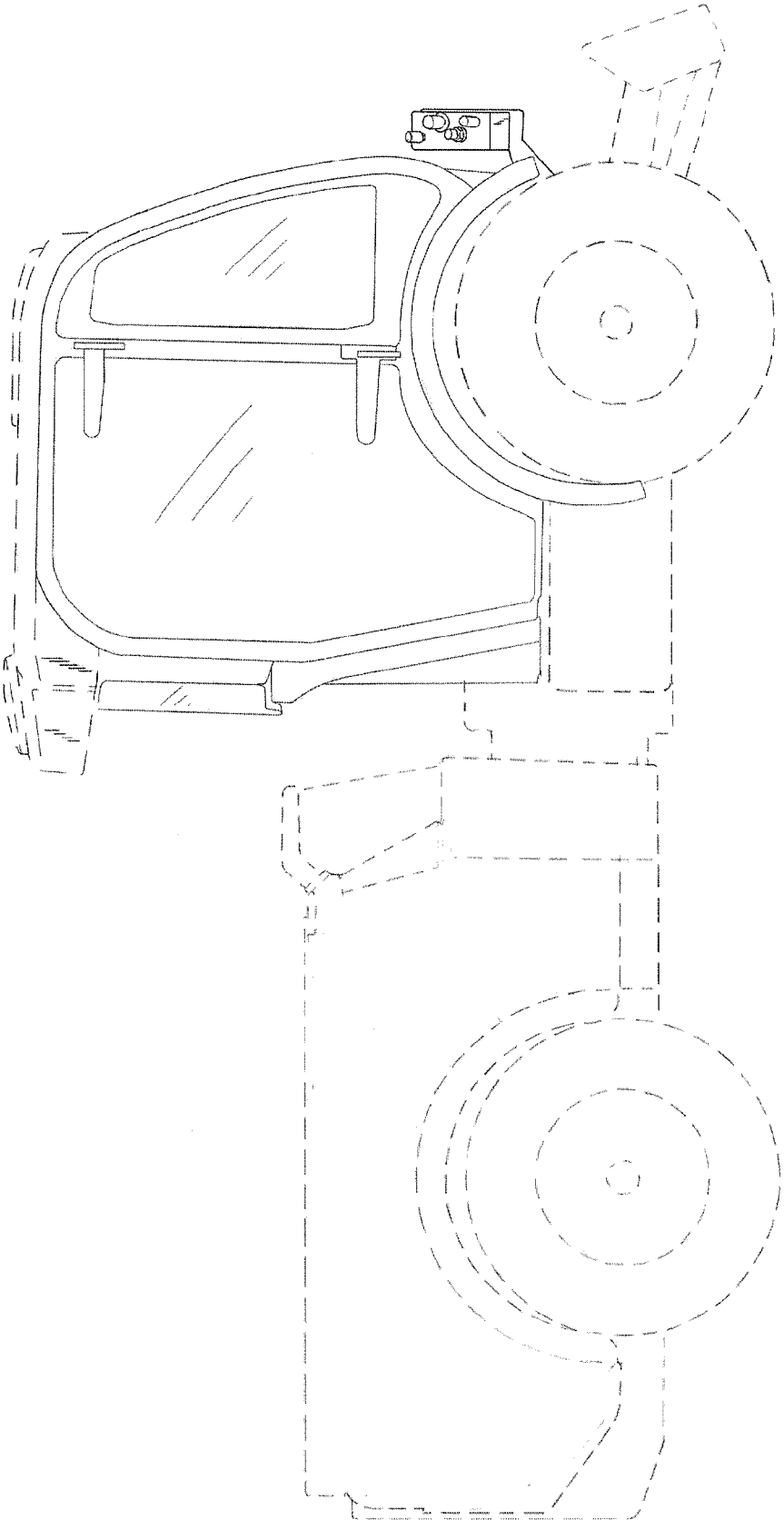


Fig 4

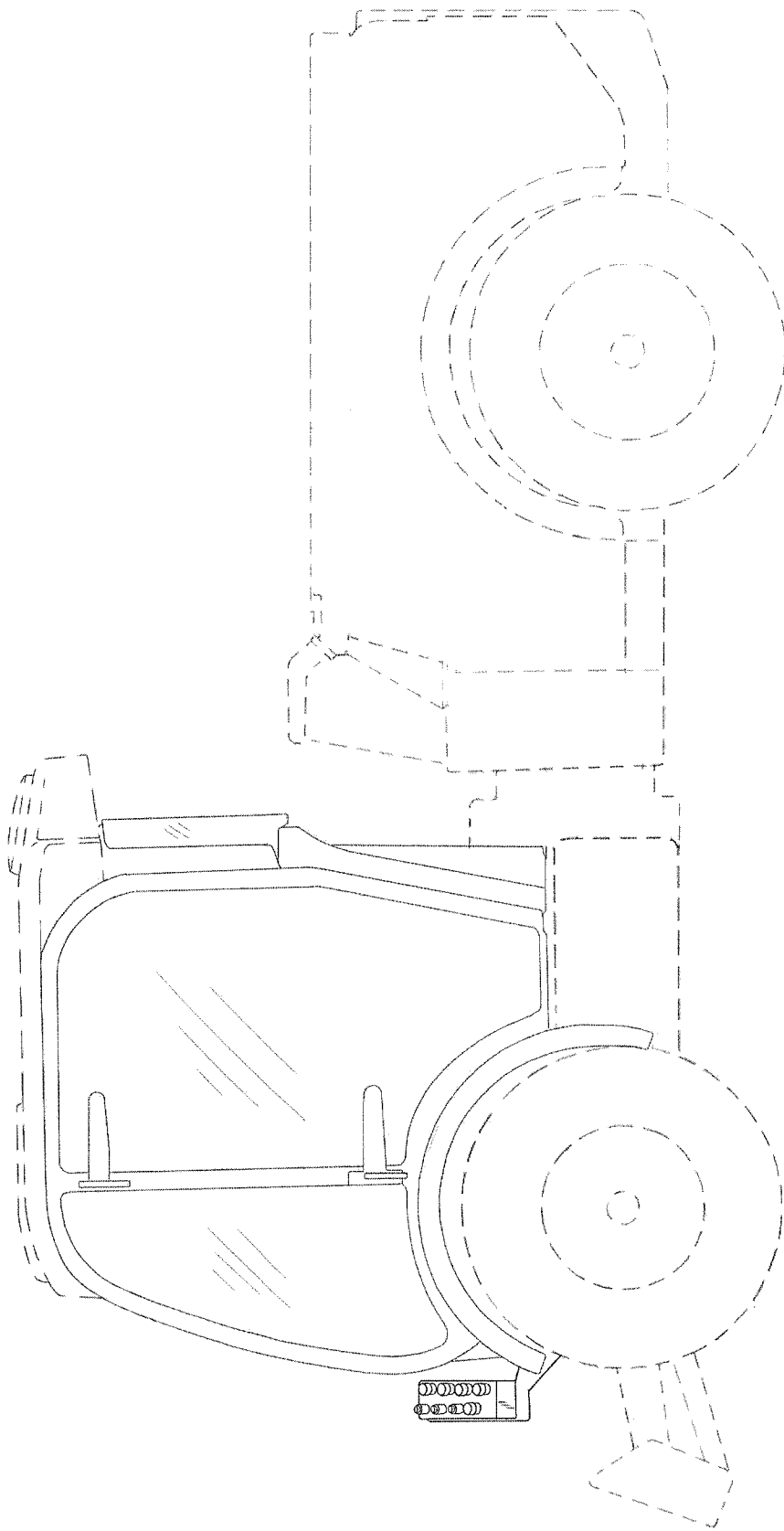


Fig 5

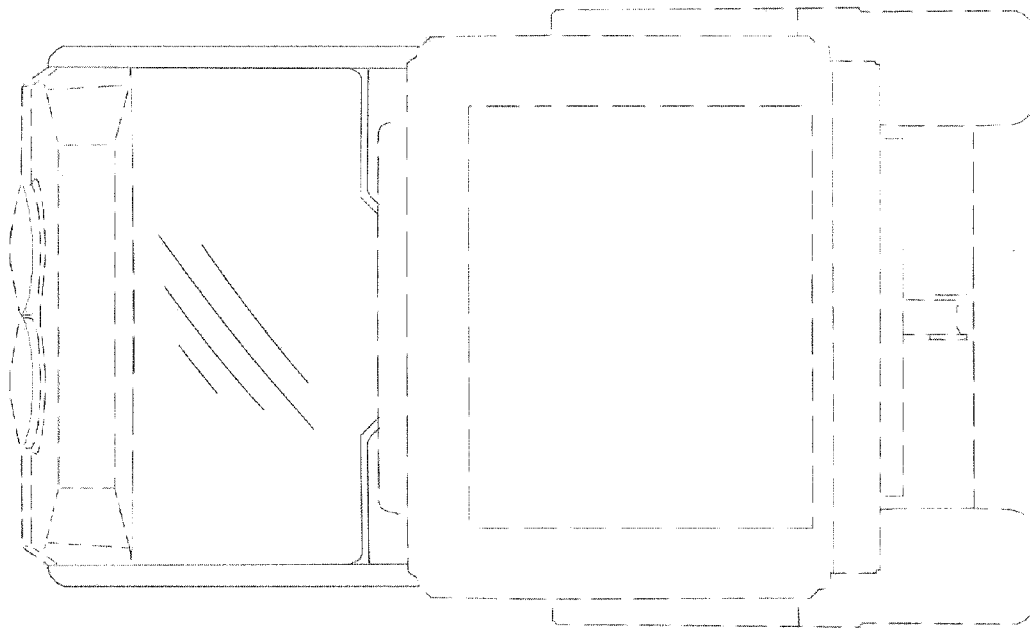


Fig 6

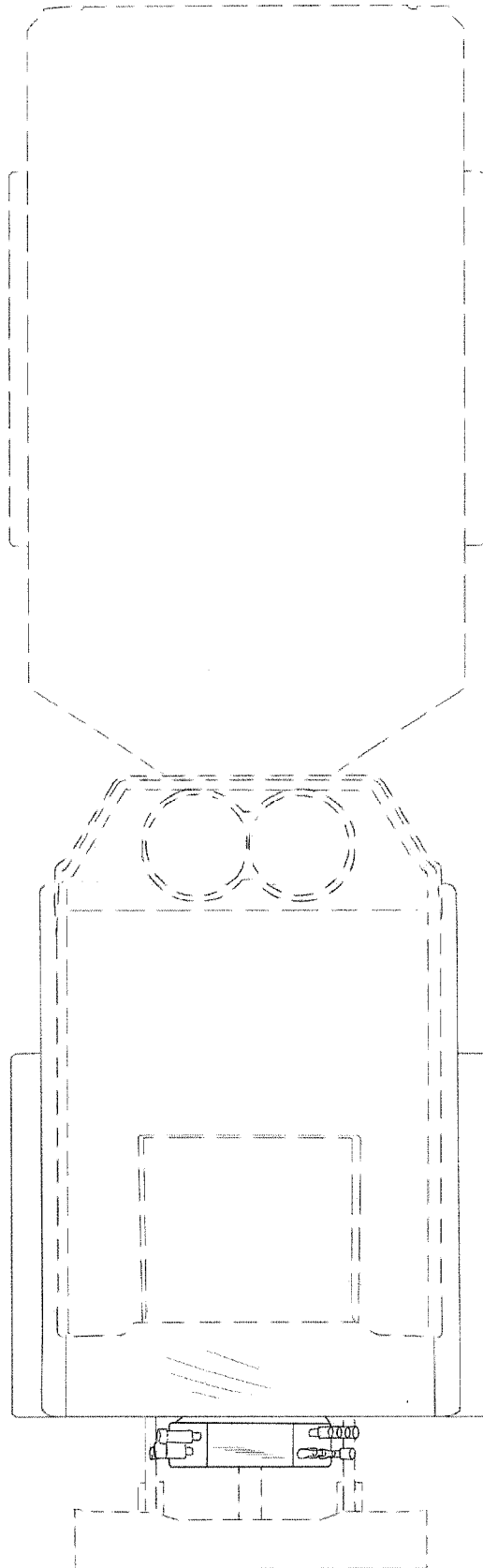


Fig 7