

(19) World Intellectual Property
Organization
International Bureau



(43) International Publication Date
28 October 2004 (28.10.2004)

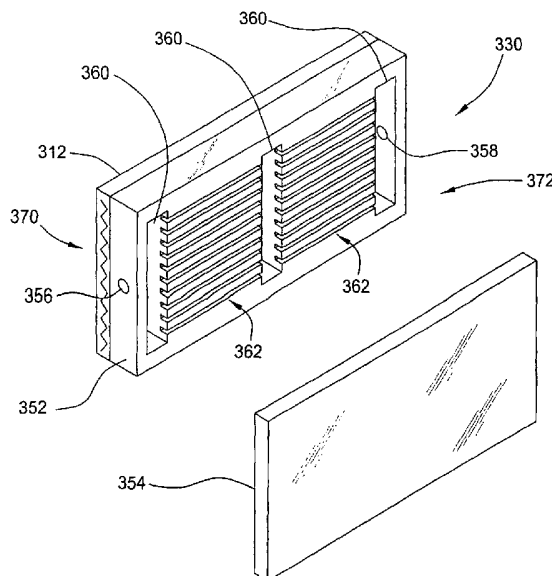
PCT

(10) International Publication Number
WO 2004/093163 A3

- (51) International Patent Classification⁷: **H01L 21/316**, C23C 16/448
- (21) International Application Number:
PCT/US2004/010543
- (22) International Filing Date: 5 April 2004 (05.04.2004)
- (25) Filing Language: English
- (26) Publication Language: English
- (30) Priority Data:
10/409,466 7 April 2003 (07.04.2003) US
- (71) Applicant (for all designated States except US): **APPLIED MATERIALS, INC.** [US/US]; 3050 Bowers Avenue, Santa Clara, CA 95054 (US).
- (72) Inventors; and
- (75) Inventors/Applicants (for US only): **YADAV, Sanjay, D.** [US/US]; 147 Bangor Avenue, San Jose, CA 95123 (US). **SHANG, Quanyuan** [US/US]; 21090 Canyon View Drive, Saratoga, CA 95070 (US). **BLONIGAN, Wendell, T.** [US/US]; 32478 Monterey Drive, Union City, CA 94587 (US).
- (74) Agents: **PATTERSON, B., Todd** et al.; Moser, Patterson & Sheridan, L.L.P., 3040 Post Oak Boulevard, Suite 1500, Houston, TX 77056 (US).
- (81) Designated States (unless otherwise indicated, for every kind of national protection available): AE, AG, AL, AM, AT, AU, AZ, BA, BB, BG, BR, BW, BY, BZ, CA, CH, CN, CO, CR, CU, CZ, DE, DK, DM, DZ, EC, EE, EG, ES, FI, GB, GD, GE, GH, GM, HR, HU, ID, IL, IN, IS, JP, KE, KG, KP, KR, KZ, LC, LK, LR, LS, LT, LU, LV, MA, MD, MG, MK, MN, MW, MX, MZ, NA, NI, NO, NZ, OM, PG, PH, PL, PT, RO, RU, SC, SD, SE, SG, SK, SL, SY, TJ, TM, TN, TR, TT, TZ, UA, UG, US, UZ, VC, VN, YU, ZA, ZM, ZW.
- (84) Designated States (unless otherwise indicated, for every kind of regional protection available): ARIPO (BW, GH, GM, KE, LS, MW, MZ, SD, SL, SZ, TZ, UG, ZM, ZW), Eurasian (AM, AZ, BY, KG, KZ, MD, RU, TJ, TM), European (AT, BE, BG, CH, CY, CZ, DE, DK, EE, ES, FI, FR, GB, GR, HU, IE, IT, LU, MC, NL, PL, PT, RO, SE, SI, SK, TR), OAPI (BF, BJ, CF, CG, CI, CM, GA, GN, GQ, GW, ML, MR, NE, SN, TD, TG).

[Continued on next page]

(54) Title: METHOD AND APPARATUS FOR SILICONE OXIDE DEPOSITION ON LARGE AREA SUBSTRATES



(57) Abstract: A method and apparatus for depositing a dielectric material at a rate of at least 4000 Angstroms per minute on a large area substrate that has a surface area of at least about 0.35 square meters is provided. In one embodiment, the dielectric material is silicon oxide. Also provided is a vaporizer comprising a plurality of grooves.

WO 2004/093163 A3



Published:

- *with international search report*
- *before the expiration of the time limit for amending the claims and to be republished in the event of receipt of amendments*

For two-letter codes and other abbreviations, refer to the "Guidance Notes on Codes and Abbreviations" appearing at the beginning of each regular issue of the PCT Gazette.

(88) Date of publication of the international search report:

23 December 2004

INTERNATIONAL SEARCH REPORT

national Application No
T/US2004/010543

A. CLASSIFICATION OF SUBJECT MATTER
IPC 7 H01L21/316 C23C16/448

According to International Patent Classification (IPC) or to both national classification and IPC

B. FIELDS SEARCHED

Minimum documentation searched (classification system followed by classification symbols)
IPC 7 H01L C23C

Documentation searched other than minimum documentation to the extent that such documents are included in the fields searched

Electronic data base consulted during the international search (name of data base and, where practical, search terms used)

EPO-Internal, PAJ

C. DOCUMENTS CONSIDERED TO BE RELEVANT

Category °	Citation of document, with indication, where appropriate, of the relevant passages	Relevant to claim No.
X	US 6 167 834 B1 (COLLINS KENNETH S ET AL) 2 January 2001 (2001-01-02) column 16, lines 33-37; figure 2 column 21, line 49 - column 22, line 3 -----	1-12
X	EP 0 435 088 A (APPLIED MATERIALS JAPAN ; LINTEC CO LTD (JP)) 3 July 1991 (1991-07-03) column 4, line 1 - column 5, line 5; figures 1-3 -----	13
A	EP 0 058 571 A (NAT RES DEV) 25 August 1982 (1982-08-25) the whole document -----	1-25
A	US 5 849 089 A (OKUMURA KATSUYA ET AL) 15 December 1998 (1998-12-15) the whole document -----	1-25
-/--		

Further documents are listed in the continuation of box C.

Patent family members are listed in annex.

° Special categories of cited documents :

- *A* document defining the general state of the art which is not considered to be of particular relevance
- *E* earlier document but published on or after the international filing date
- *L* document which may throw doubts on priority claim(s) or which is cited to establish the publication date of another citation or other special reason (as specified)
- *O* document referring to an oral disclosure, use, exhibition or other means
- *P* document published prior to the international filing date but later than the priority date claimed

- *T* later document published after the international filing date or priority date and not in conflict with the application but cited to understand the principle or theory underlying the invention
- *X* document of particular relevance; the claimed invention cannot be considered novel or cannot be considered to involve an inventive step when the document is taken alone
- *Y* document of particular relevance; the claimed invention cannot be considered to involve an inventive step when the document is combined with one or more other such documents, such combination being obvious to a person skilled in the art.
- *&* document member of the same patent family

Date of the actual completion of the international search

Date of mailing of the international search report

14 October 2004

21/10/2004

Name and mailing address of the ISA
European Patent Office, P.B. 5818 Patentlaan 2
NL - 2280 HV Rijswijk
Tel. (+31-70) 340-2040, Tx. 31 651 epo nl,
Fax: (+31-70) 340-3016

Authorized officer

Kenevey, K

INTERNATIONAL SEARCH REPORT

International Application No
T/US2004/010543

C.(Continuation) DOCUMENTS CONSIDERED TO BE RELEVANT

Category °	Citation of document, with indication, where appropriate, of the relevant passages	Relevant to claim No.
A	<p>PATENT ABSTRACTS OF JAPAN vol. 2000, no. 21, 3 August 2001 (2001-08-03) & JP 2001 104769 A (MITSUI ENG & SHIPBUILD CO LTD), 17 April 2001 (2001-04-17) abstract</p> <p style="text-align: center;">-----</p>	13

INTERNATIONAL SEARCH REPORT

International Application No
PCT/US2004/010543

Patent document cited in search report		Publication date	Patent family member(s)	Publication date
US 6167834	B1	02-01-2001	US 5000113 A	19-03-1991
			US 5871811 A	16-02-1999
			US 5755886 A	26-05-1998
			AT 101879 T	15-03-1994
			DE 3789142 D1	31-03-1994
			DE 3789142 T2	26-05-1994
			EP 0272140 A2	22-06-1988
			ES 2049729 T3	01-05-1994
			JP 2651102 B2	10-09-1997
			JP 6013368 A	21-01-1994
			JP 2716642 B2	18-02-1998
			JP 6013367 A	21-01-1994
			JP 2723845 B2	09-03-1998
			JP 8055843 A	27-02-1996
			JP 2584960 B2	26-02-1997
			JP 8070035 A	12-03-1996
			JP 6012771 B	16-02-1994
			JP 63246829 A	13-10-1988
			US 4872947 A	10-10-1989
			US 4892753 A	09-01-1990
US 4960488 A	02-10-1990			
US 5362526 A	08-11-1994			
US RE36623 E	21-03-2000			
US 5158644 A	27-10-1992			
US 5354715 A	11-10-1994			
EP 0435088	A	03-07-1991	JP 3183779 A	09-08-1991
			JP 7084662 B	13-09-1995
			EP 0435088 A1	03-07-1991
			US 5419924 A	30-05-1995
EP 0058571	A	25-08-1982	EP 0058571 A1	25-08-1982
			GB 2092908 A	25-08-1982
			JP 57160930 A	04-10-1982
US 5849089	A	15-12-1998	JP 11071678 A	16-03-1999
JP 2001104769	A	17-04-2001	NONE	