



US00D702211S

(12) **United States Design Patent**  
**Kim**

(10) **Patent No.:** **US D702,211 S**

(45) **Date of Patent:** **\*\* Apr. 8, 2014**

(54) **DOCKING AUDIO**

(75) Inventor: **Ji-Gwang Kim**, Seoul (KR)

(73) Assignee: **Samsung Electronics Co., Ltd.**,  
Suwon-si, Gyeonggi-do (KR)

(\*\*) Term: **14 Years**

(21) Appl. No.: **29/430,090**

(22) Filed: **Aug. 21, 2012**

(30) **Foreign Application Priority Data**

Apr. 24, 2012 (KR) ..... 30-2012-0019579

(51) **LOC (10) Cl.** ..... **14-01**

(52) **U.S. Cl.**  
USPC ..... **D14/209.1**

(58) **Field of Classification Search**

USPC ..... D14/204, 204.1, 210–216, 172, 188,  
D14/356, 496, 137, 168, 265; 181/143, 144,  
181/147, 148, 150–153, 157, 198, 199;  
381/300–306, 332, 333, 336, 345,  
381/361–364; 455/344–351

See application file for complete search history.

(56) **References Cited**

**U.S. PATENT DOCUMENTS**

4,070,546 A \* 1/1978 Hirota ..... 381/300  
5,146,618 A \* 9/1992 Wenner ..... 455/345  
5,546,468 A \* 8/1996 Beard ..... 381/86  
D551,679 S \* 9/2007 Hayes ..... D14/496  
D558,788 S \* 1/2008 Yu et al. .... D14/496

D600,251 S \* 9/2009 Poandl ..... D14/496  
7,689,197 B2 \* 3/2010 Laude et al. .... 455/344  
D625,288 S \* 10/2010 Ueda ..... D14/209.1  
D659,119 S \* 5/2012 Brunner et al. .... D14/209.1  
D678,863 S \* 3/2013 Inada ..... D14/209.1  
D683,718 S \* 6/2013 Brunner et al. .... D14/209.1  
D689,460 S \* 9/2013 Chen ..... D14/172

**OTHER PUBLICATIONS**

U.S. Appl. No. 29/430,091, Applicant: Ji-Gwang Kim, filed Aug. 21, 2012 entitled Docking Audio.

\* cited by examiner

*Primary Examiner* — Prabhakar Deshmukh

(74) *Attorney, Agent, or Firm* — Flynn, Thiel, Boutell & Tanis, P.C.

(57) **CLAIM**

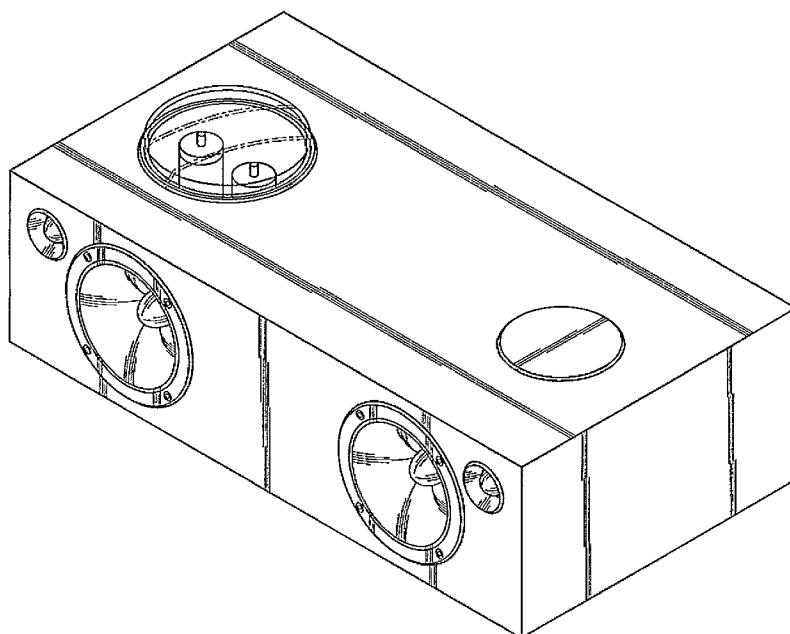
The ornamental design for a docking audio, as shown and described.

**DESCRIPTION**

FIG. 1 is a top front perspective view of a docking audio showing my new design;  
FIG. 2 is a front elevational view thereof;  
FIG. 3 is a rear elevational view thereof;  
FIG. 4 is a left side elevational view thereof;  
FIG. 5 is a right side elevational view thereof;  
FIG. 6 is a top plan view thereof;  
FIG. 7 is a bottom plan view thereof; and,  
FIG. 8 is a right side view thereof when a docking device of the present audio is exposed.

The broken lines illustrating portions of the docking audio are for environmental purposes only and form no part of the claimed design.

**1 Claim, 4 Drawing Sheets**



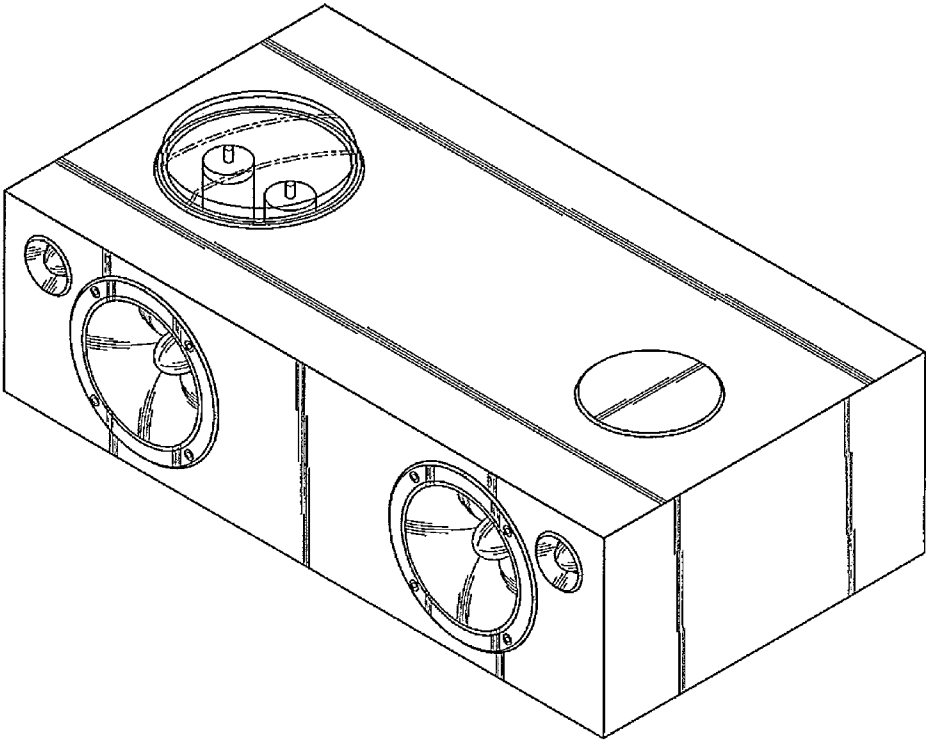


FIG. 1

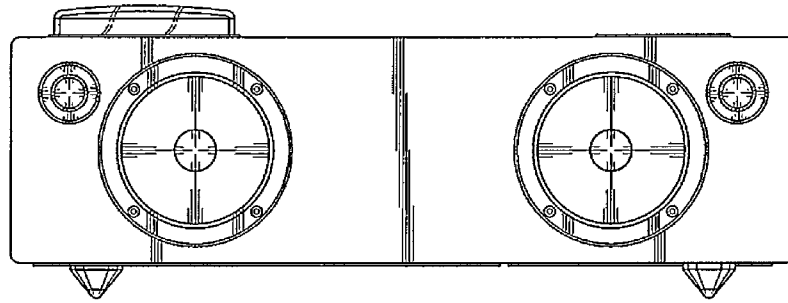


FIG. 2

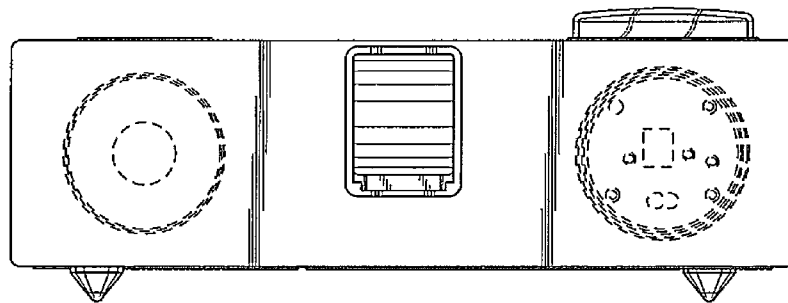


FIG. 3

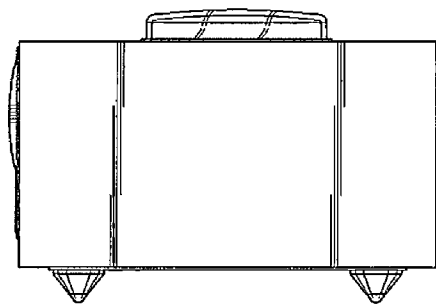


FIG. 4

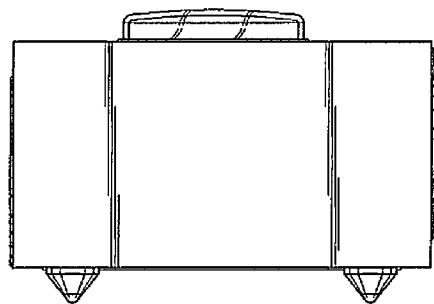


FIG. 5

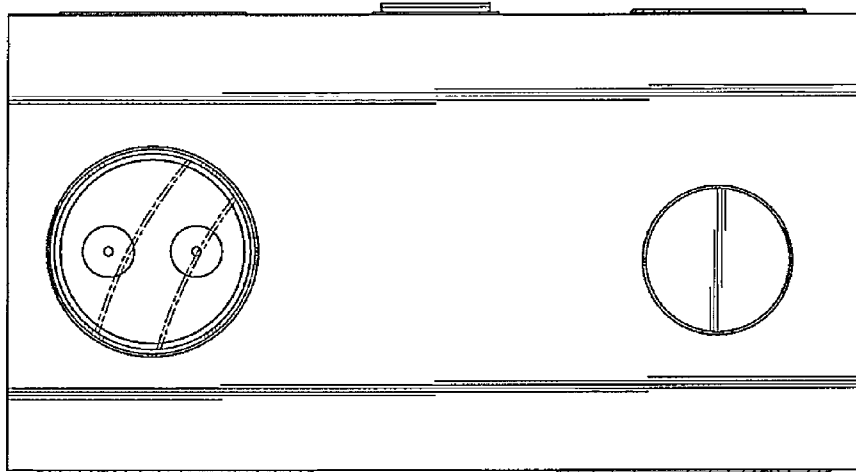


FIG. 6

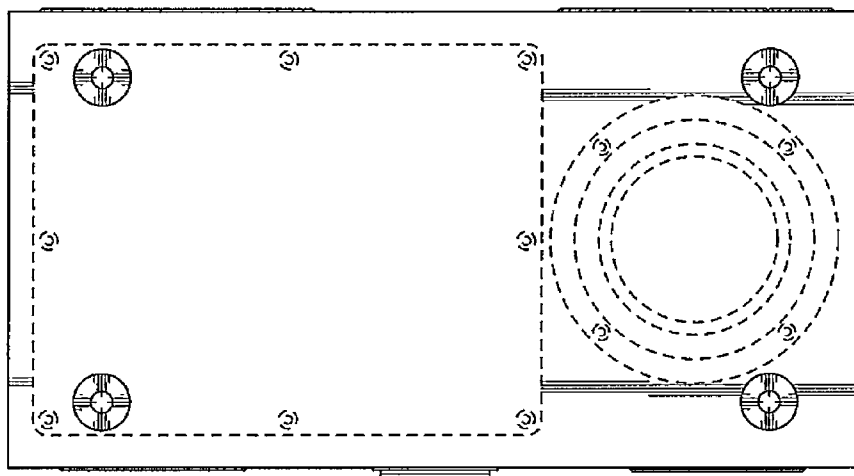


FIG. 7

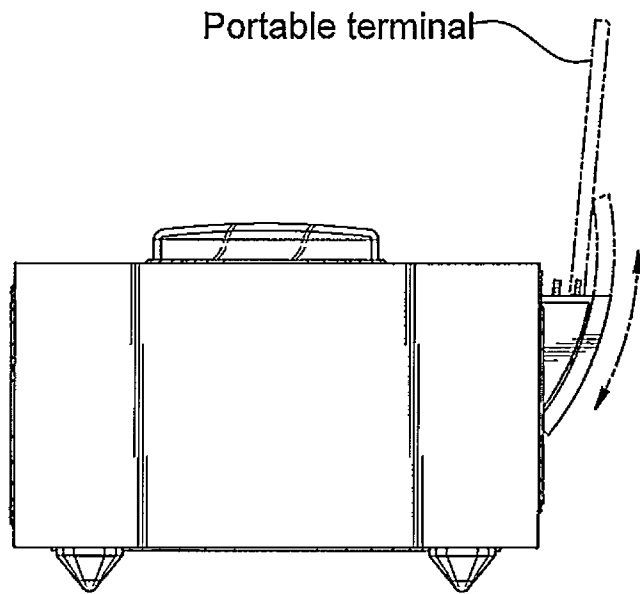


FIG. 8