



US0D1065982S

(12) **United States Design Patent**
Wang

(10) **Patent No.:** **US D1,065,982 S**

(45) **Date of Patent:** **** Mar. 11, 2025**

(54) **CONNECT BUCKLE USED FOR SLACKLINE**

(71) Applicant: **Jiahong Wang**, Jiangsu (CN)

(72) Inventor: **Jiahong Wang**, Jiangsu (CN)

(**) Term: **15 Years**

(21) Appl. No.: **29/967,713**

(22) Filed: **Oct. 11, 2024**

(51) **LOC (15) Cl.** **08-11**

(52) **U.S. Cl.**
USPC **D8/360**

(58) **Field of Classification Search**
USPC D8/360, 356, 354, 349
CPC A63B 29/00; A63B 27/00
See application file for complete search history.

(56) **References Cited**

U.S. PATENT DOCUMENTS

D45,911 S *	6/1914	Mallory	D8/360
D55,508 S *	6/1920	Flynn, Jr.	D8/360
D202,294 S *	9/1965	Heifetz	D8/396
D431,771 S *	10/2000	Westerfield	D8/360
D685,676 S *	7/2013	Tylaska	D11/222
D819,434 S *	6/2018	Sonneman	D8/394
D833,856 S *	11/2018	Simonds	D8/360
D860,766 S *	9/2019	Brown	A62B 1/18 D8/360
D877,656 S	3/2020	Chan	
D893,286 S *	8/2020	Xu	D8/360
D896,352 S *	9/2020	Horning	D23/265
D908,475 S *	1/2021	Grobe	D8/360
D920,083 S *	5/2021	Yu	D8/360
11,007,947 B2 *	5/2021	Gandhi	B60R 7/08

D951,814 S	5/2022	Cao	
D987,418 S *	5/2023	Petzl	D8/360
D990,292 S *	6/2023	Sargent	D8/360
D997,033 S	8/2023	Li	
D999,673 S	9/2023	Petzl	
D1,006,675 S	12/2023	Dumas	
D1,008,083 S	12/2023	Chan	
D1,029,684 S	6/2024	Aral	
D1,037,066 S	7/2024	Hong	
2009/0114893 A1 *	5/2009	Lange	B66D 3/04 254/390

* cited by examiner

Primary Examiner — Cynthia R Underwood

(57) **CLAIM**

The ornamental design for a connect buckle used for slackline, as shown and described.

DESCRIPTION

FIG. 1 is a perspective view of a connect buckle used for slackline showing my new design.

FIG. 2 is a front view thereof.

FIG. 3 is a rear view thereof.

FIG. 4 is a left side view thereof.

FIG. 5 is a right side view thereof.

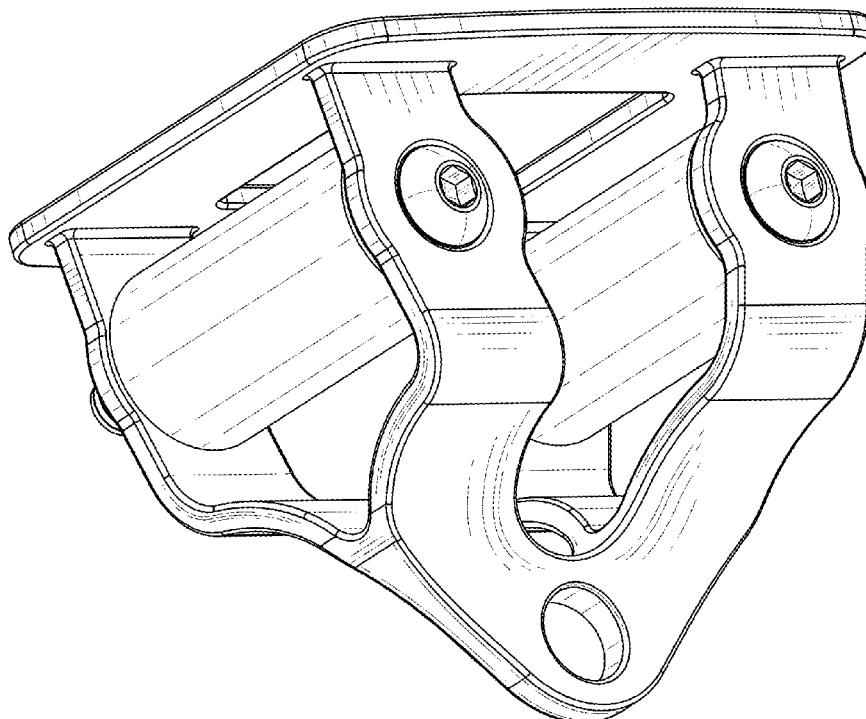
FIG. 6 is a top view thereof.

FIG. 7 is a bottom view thereof.

FIG. 8 is a rear, right, bottom perspective view thereof; and, FIG. 9 is a front perspective view thereof, shown the state of use.

The broken lines in the drawings depict portions of the connect buckle used for slackline that form no part of the claimed design.

1 Claim, 9 Drawing Sheets



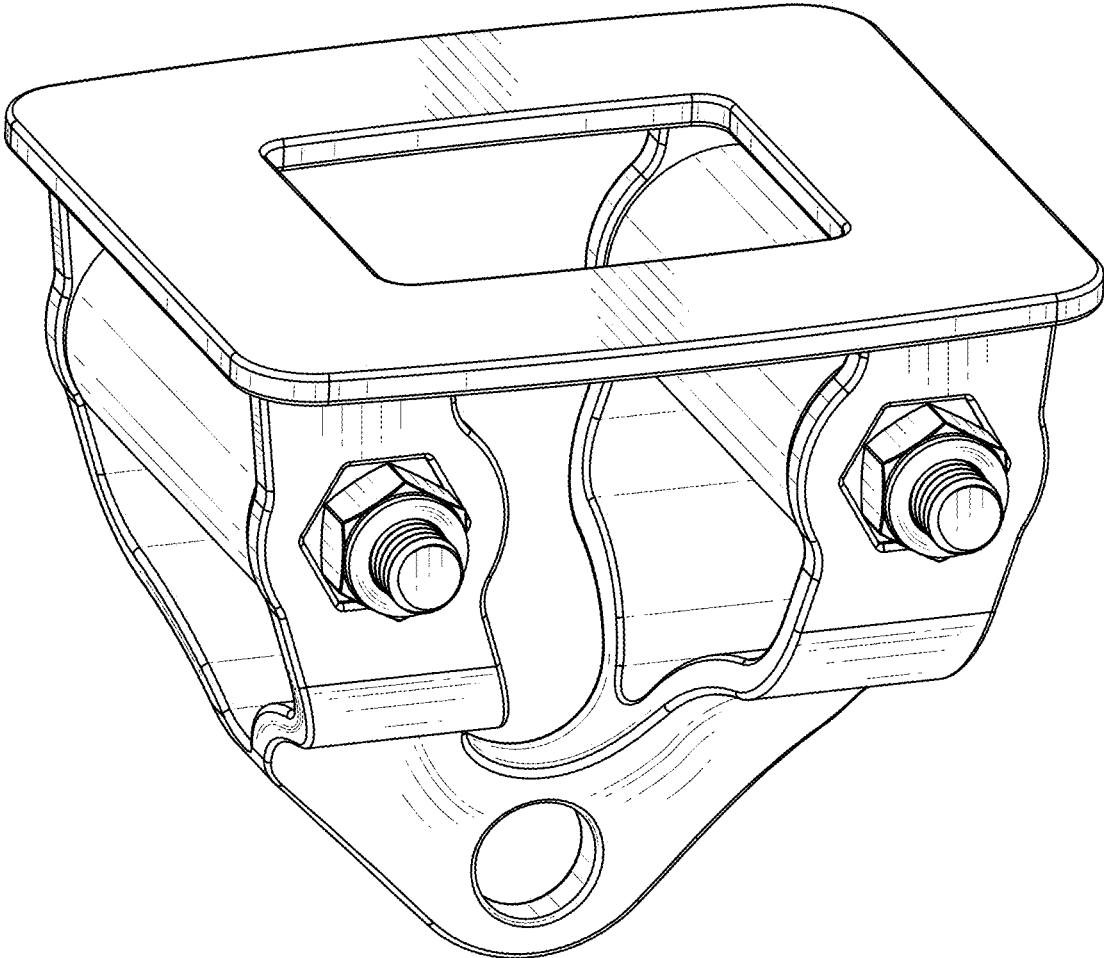


FIG. 1

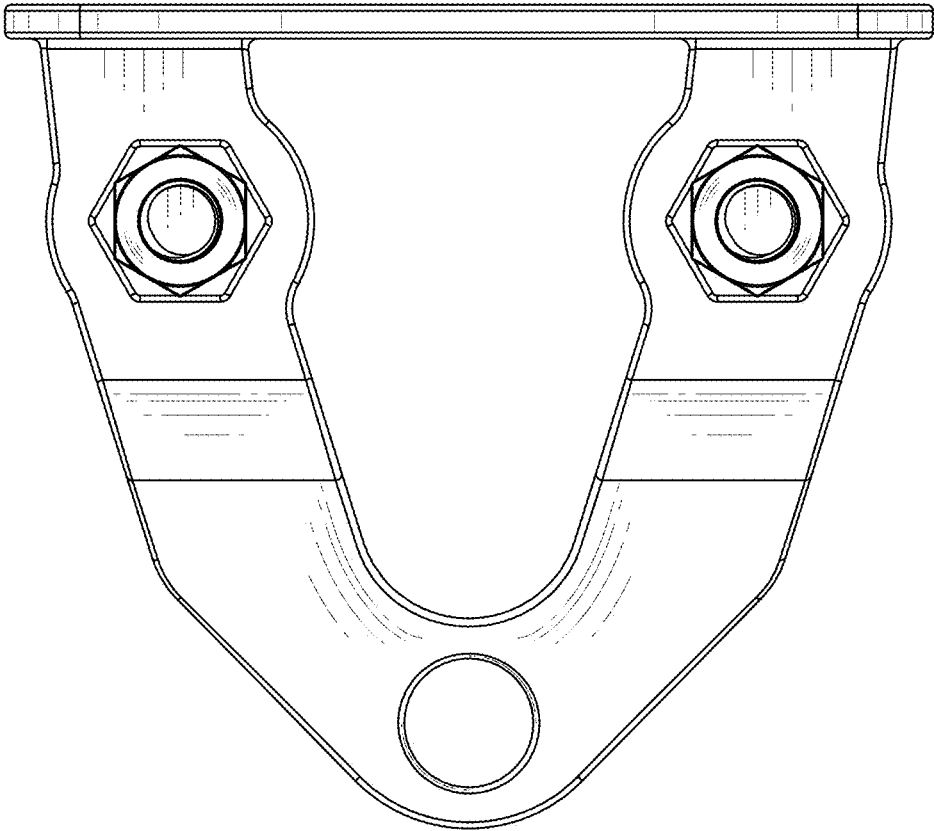


FIG. 2

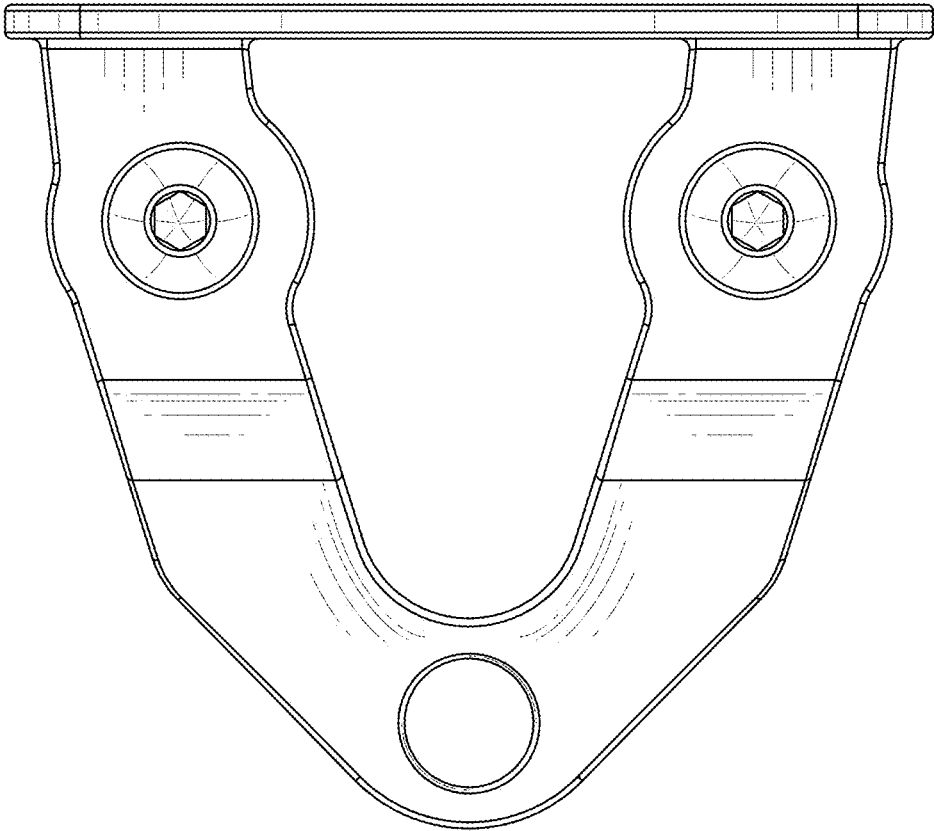


FIG. 3

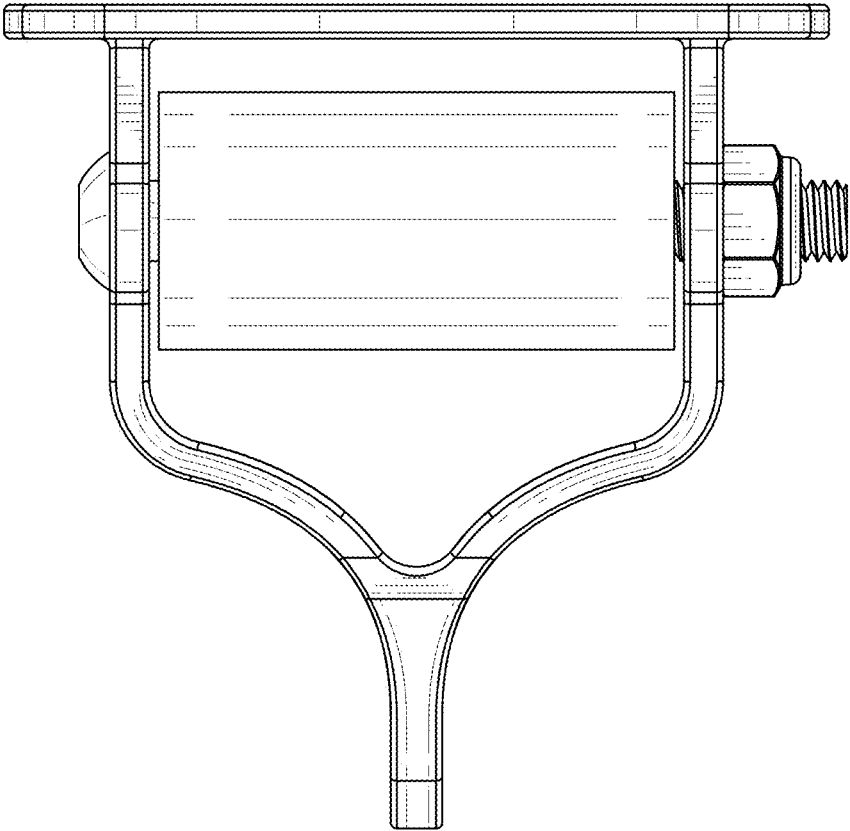


FIG. 4

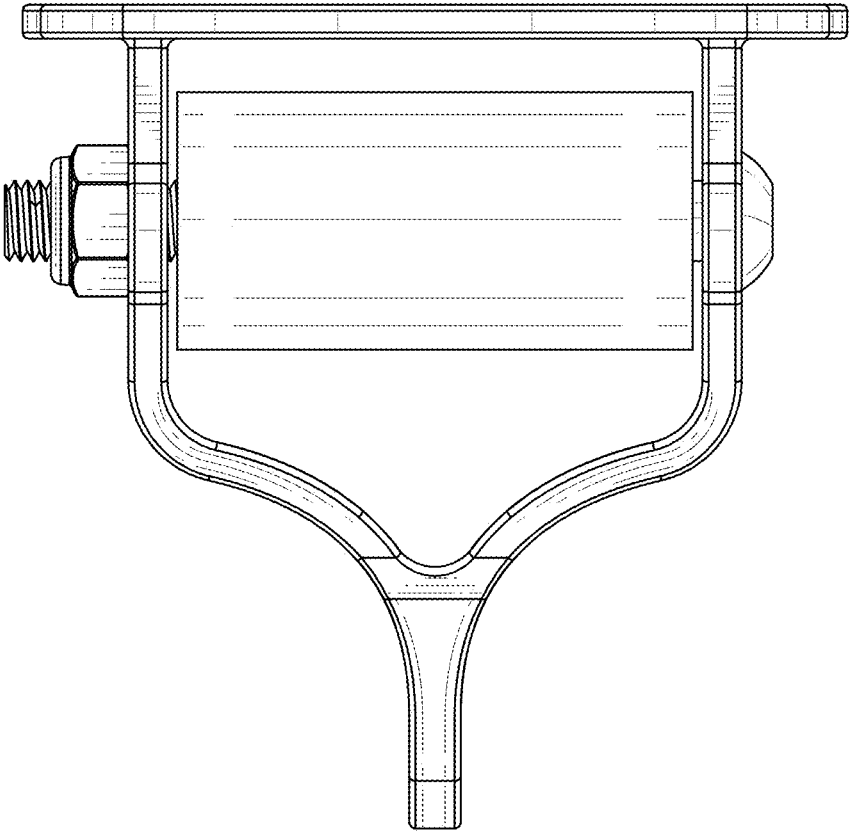


FIG. 5

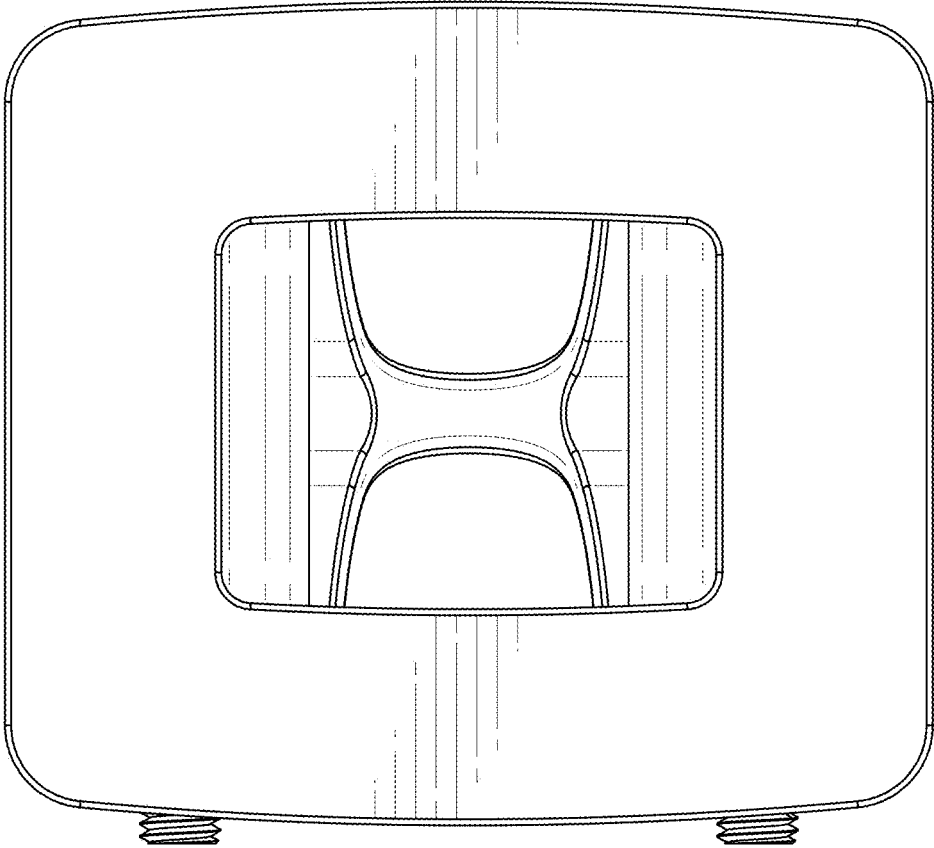


FIG. 6

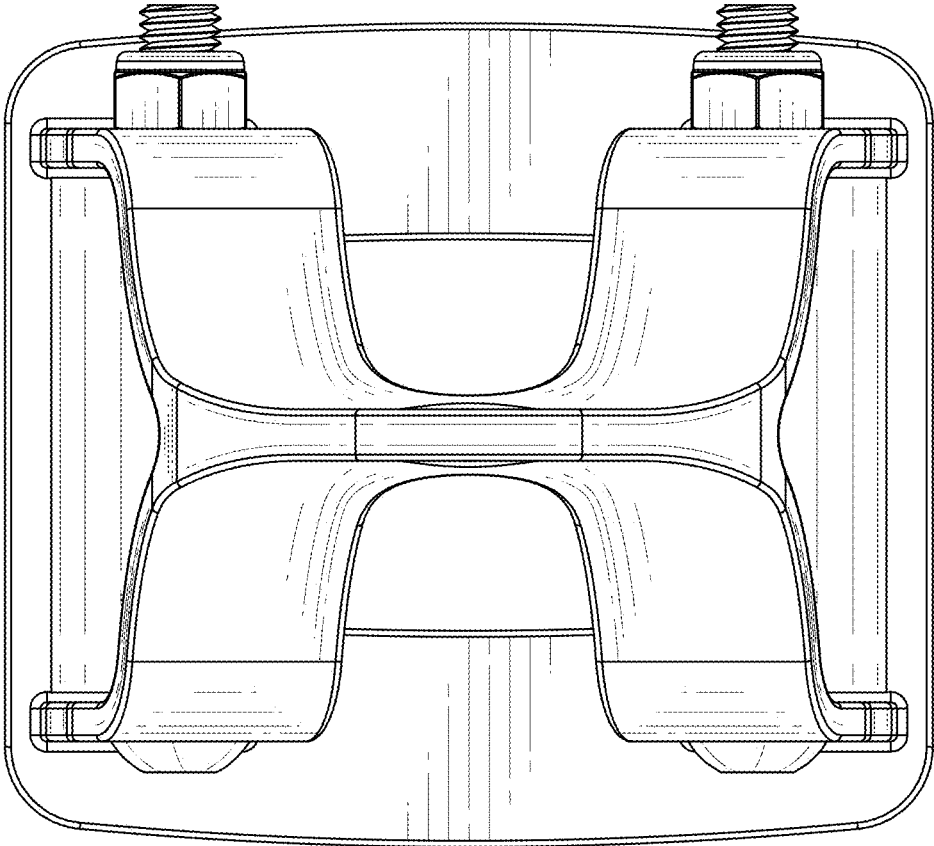


FIG. 7

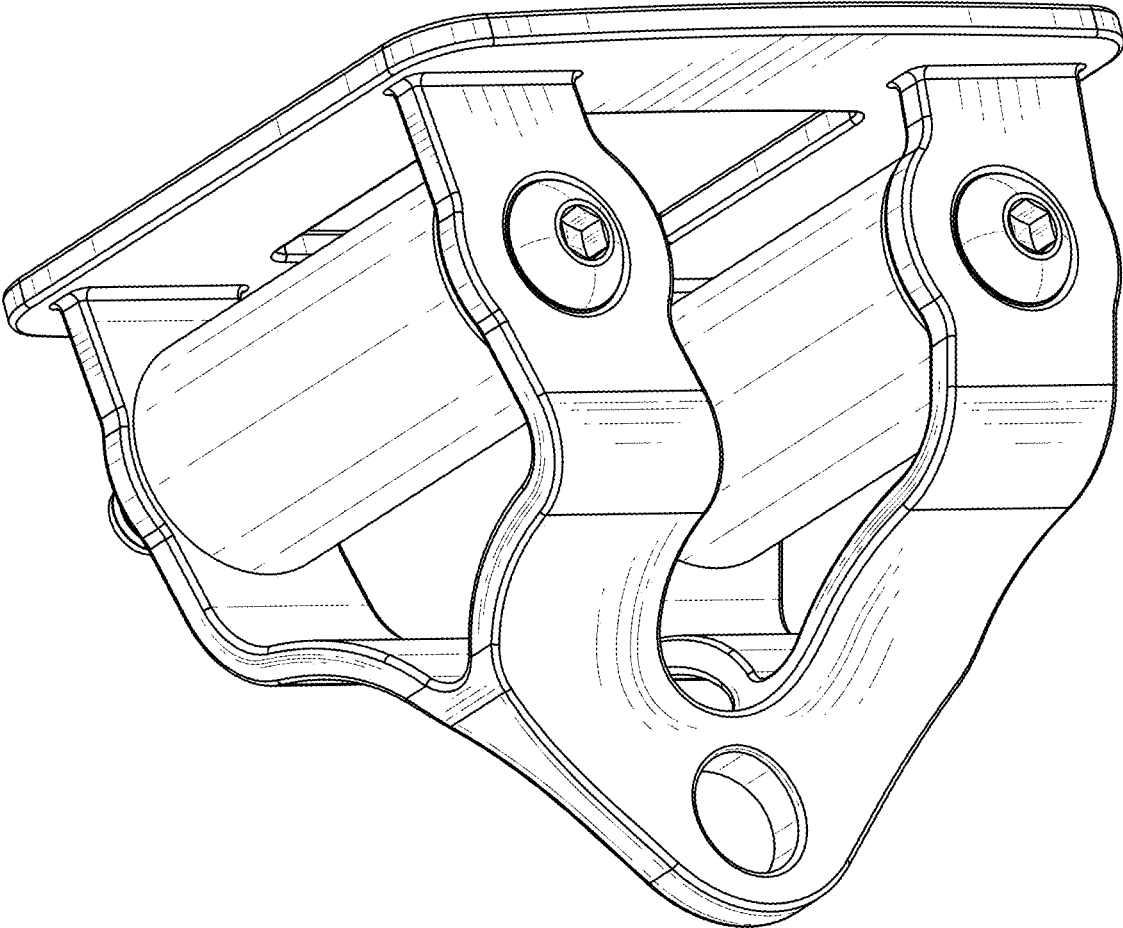


FIG. 8

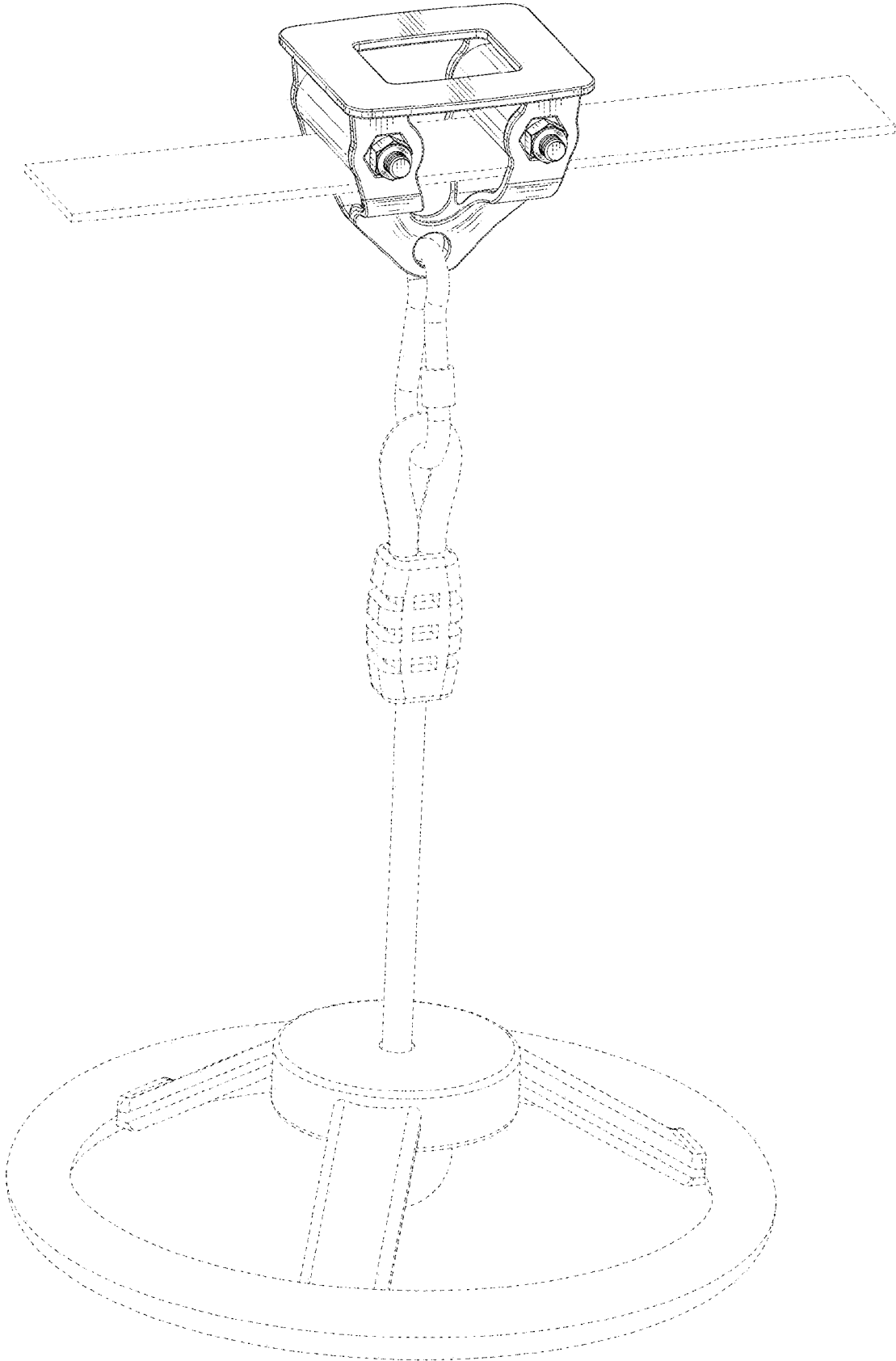


FIG. 9