



US00D727417S

(12) **United States Design Patent**
Huang et al.

(10) **Patent No.:** **US D727,417 S**

(45) **Date of Patent:** **** Apr. 21, 2015**

(54) **PRINTER**

(71) Applicant: **Hewlett-Packard Development Company, L.P.**, Houston, TX (US)

(72) Inventors: **Daniel Chien Cheng Huang**, Boise, ID (US); **Kevin L. Falk**, Boise, ID (US); **Dennis M. Terenzio**, Boise, ID (US)

(73) Assignee: **Hewlett-Packard Development Company, L.P.**, Houston, TX (US)

(**) Term: **14 Years**

(21) Appl. No.: **29/462,067**

(22) Filed: **Jul. 30, 2013**

(51) **LOC (10) Cl.** **14-02**

(52) **U.S. Cl.**
USPC **D18/55**

(58) **Field of Classification Search**
USPC D18/36-39, 50, 53, 54, 54.1, 55;
D14/420-425, 462-470; 400/613,
400/613.1-613.4, 690.1-690.4, 691-694
See application file for complete search history.

(56) **References Cited**

U.S. PATENT DOCUMENTS

D537,109 S * 2/2007 Mizusugi et al. D18/39
D634,361 S * 3/2011 Terenzio et al. D18/55

D642,212 S * 7/2011 Terenzio et al. D18/55
D666,239 S * 8/2012 Larson et al. D18/55
D667,487 S * 9/2012 Falk et al. D18/55
D678,941 S * 3/2013 Gilbert et al. D18/55
D696,341 S * 12/2013 Yamada et al. D18/39

* cited by examiner

Primary Examiner — Cathy A MacCormac

(74) *Attorney, Agent, or Firm* — Rathe Lindenbaum LLP

(57) **CLAIM**

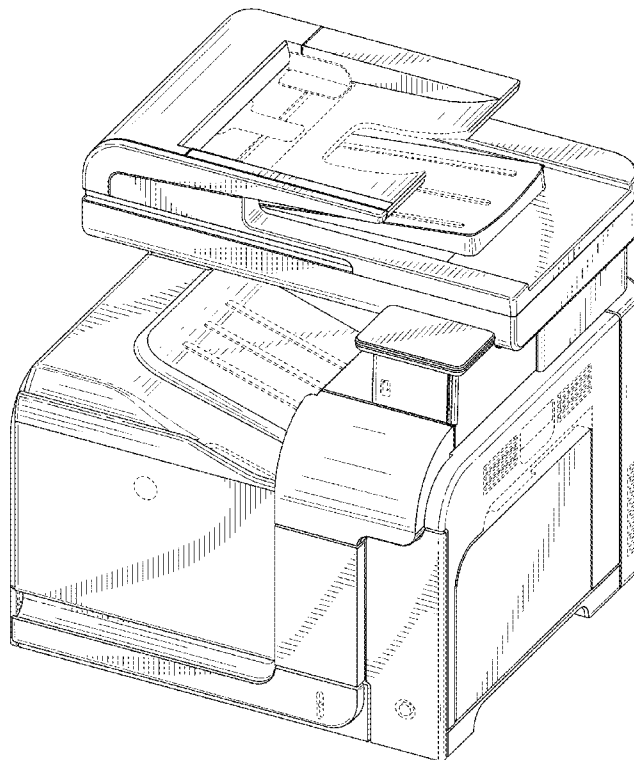
We claim the ornamental design for a printer, as shown and described.

DESCRIPTION

FIG. 1 is a top, front and right side perspective view of a printer;
FIG. 2 is another top, front and right side perspective view thereof;
FIG. 3 is a front view thereof;
FIG. 4 is a rear view thereof;
FIG. 5 is a right side view thereof;
FIG. 6 is a left side view thereof;
FIG. 7 is a top view thereof; and
FIG. 8 is a bottom view thereof.

The broken lines in the drawings are for illustrative purposes only and form no part of the claimed design.

1 Claim, 8 Drawing Sheets



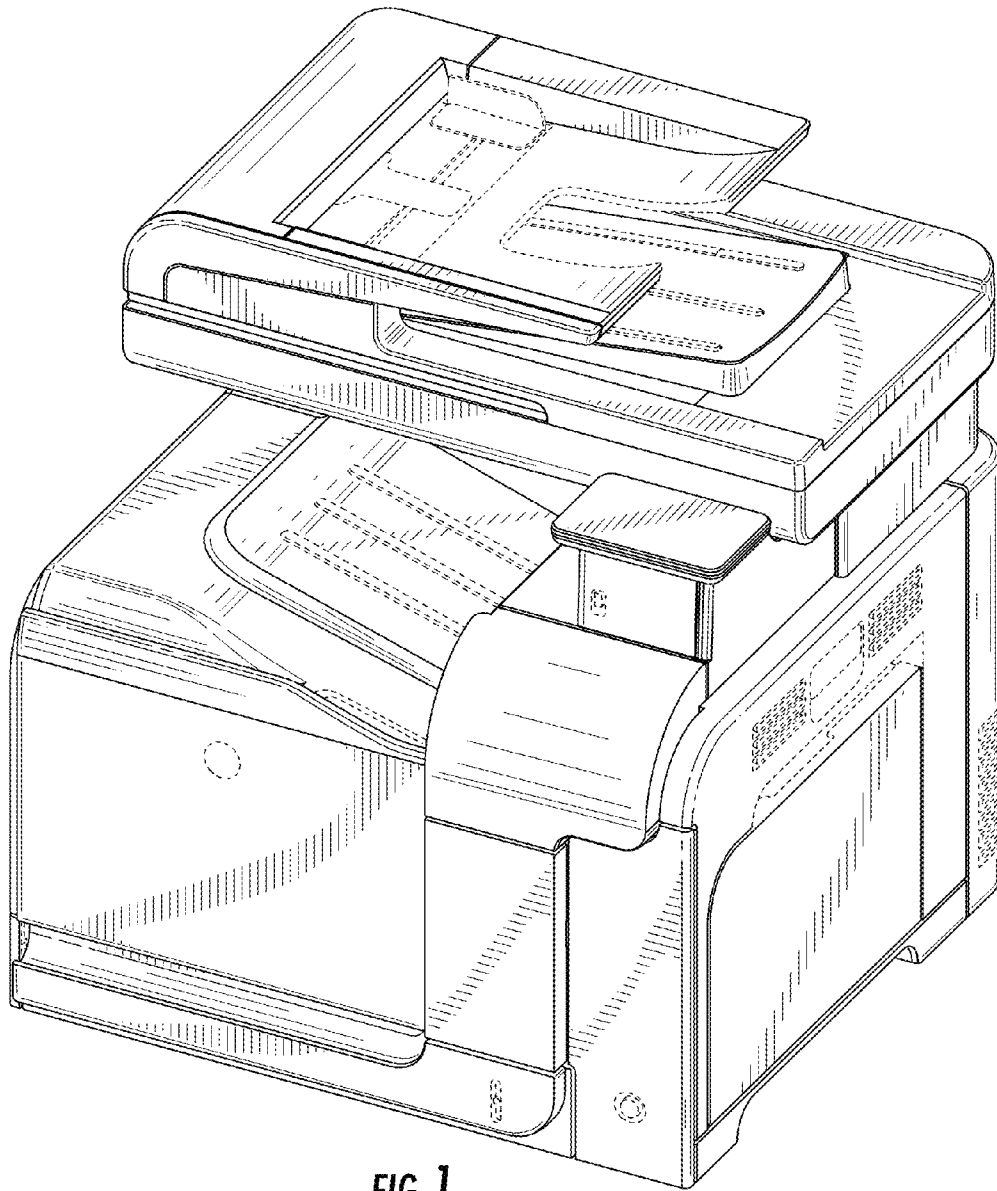


FIG. 1

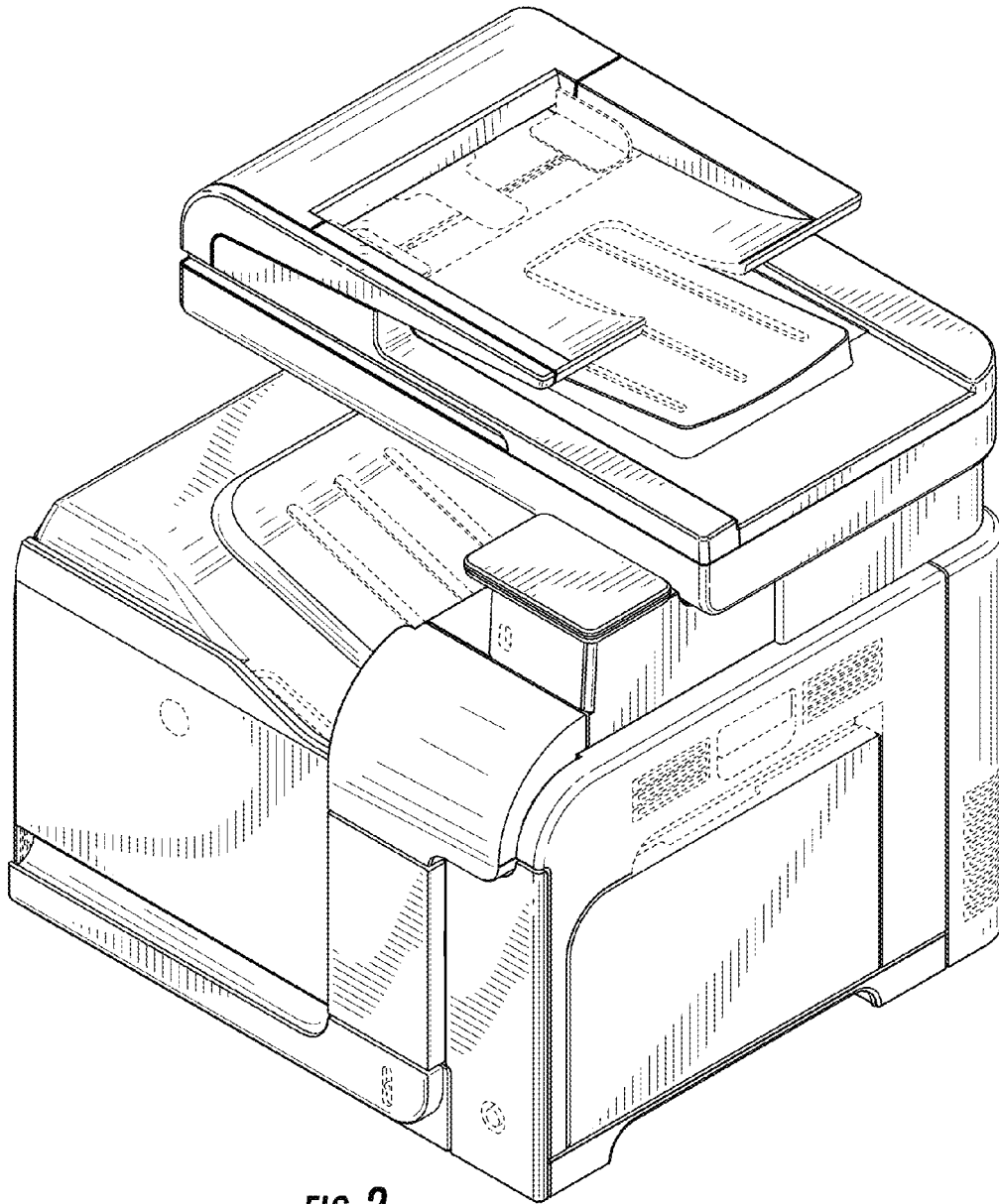


FIG. 2

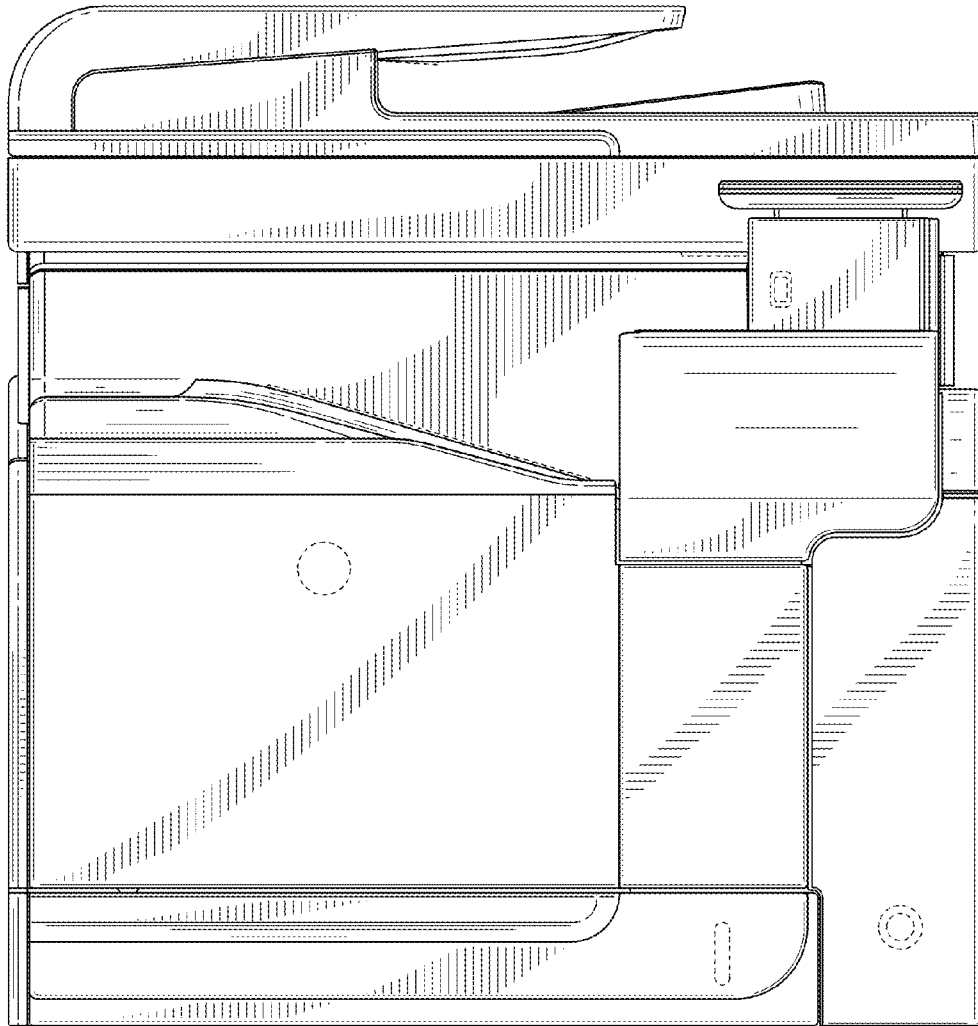


FIG. 3

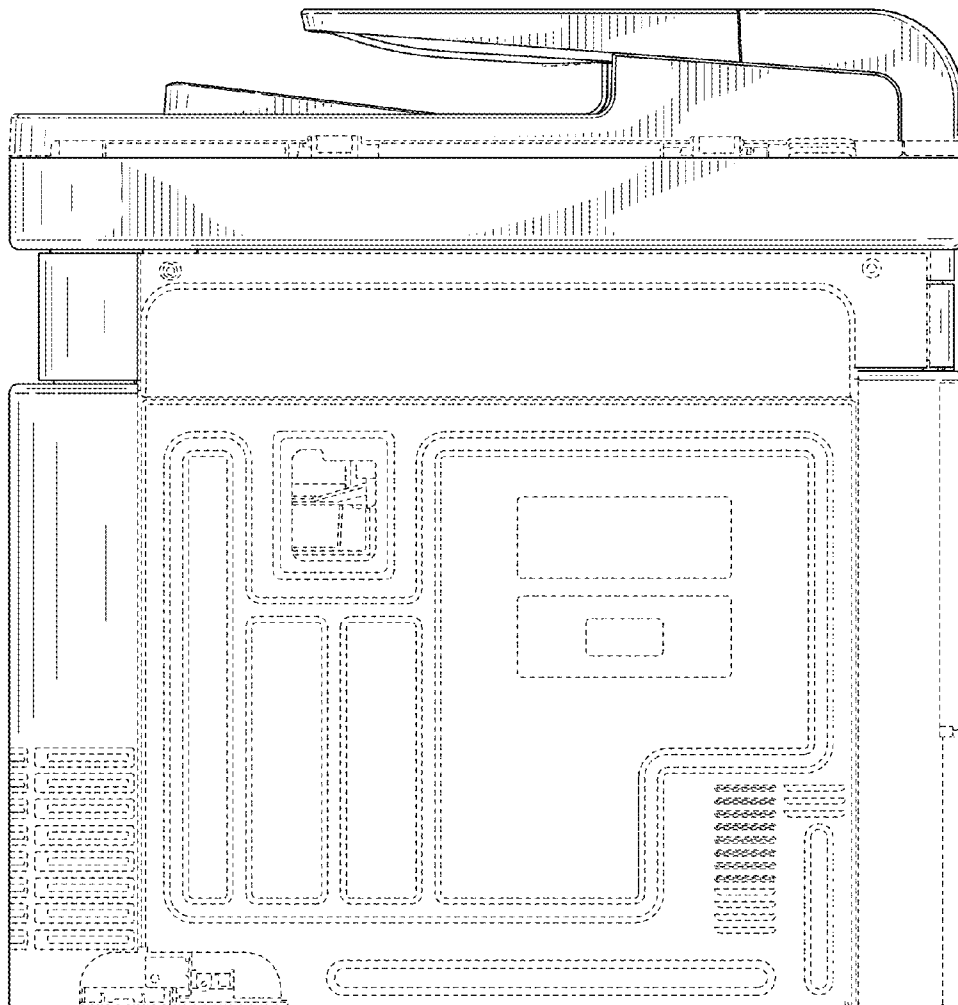


FIG. 4

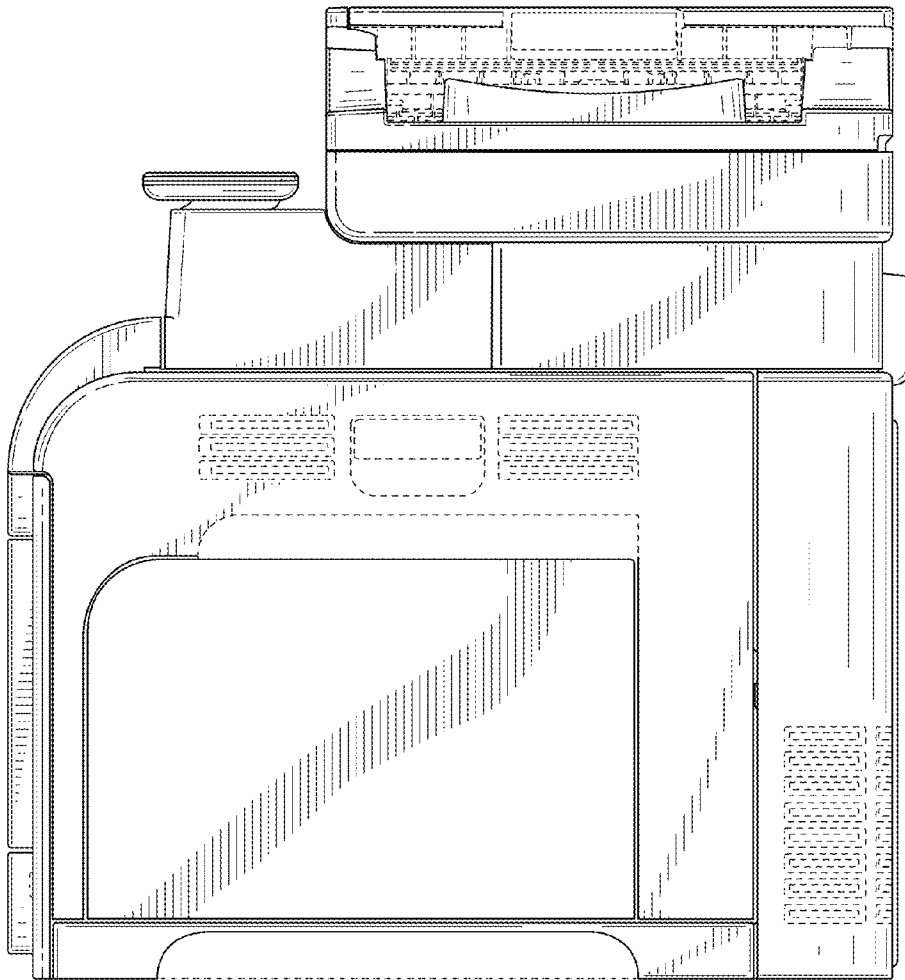


FIG. 5

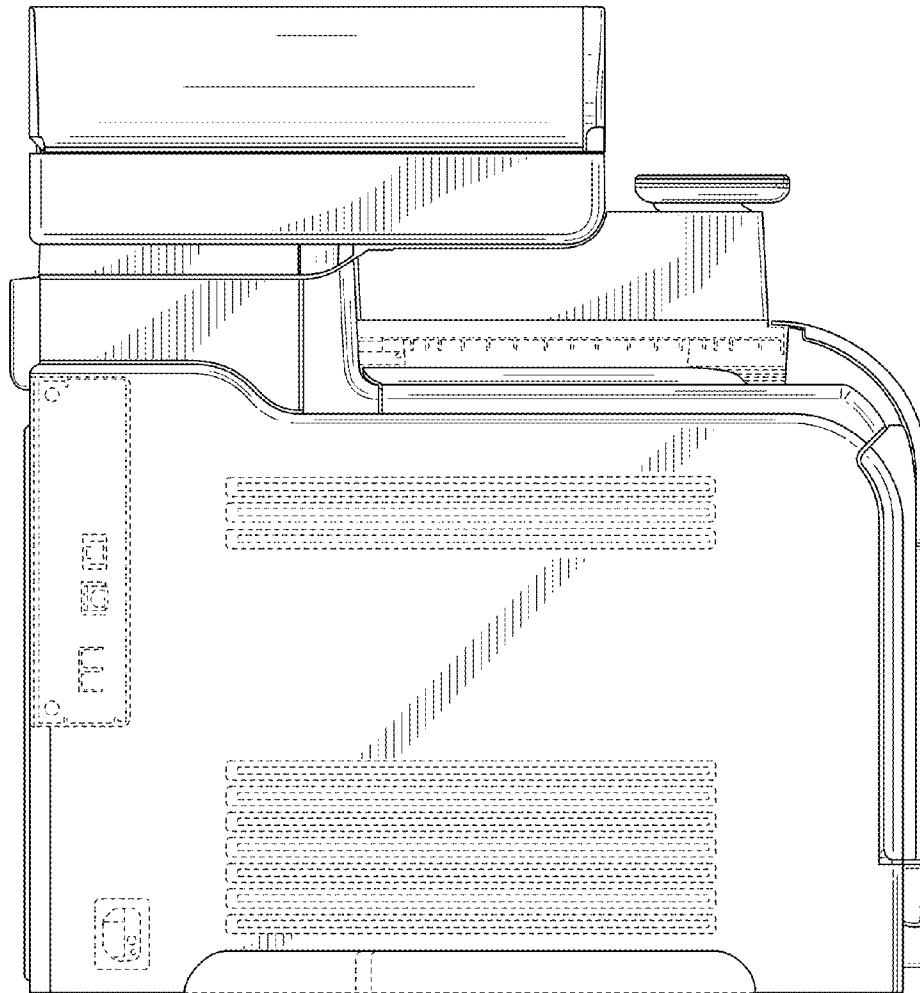


FIG. 6

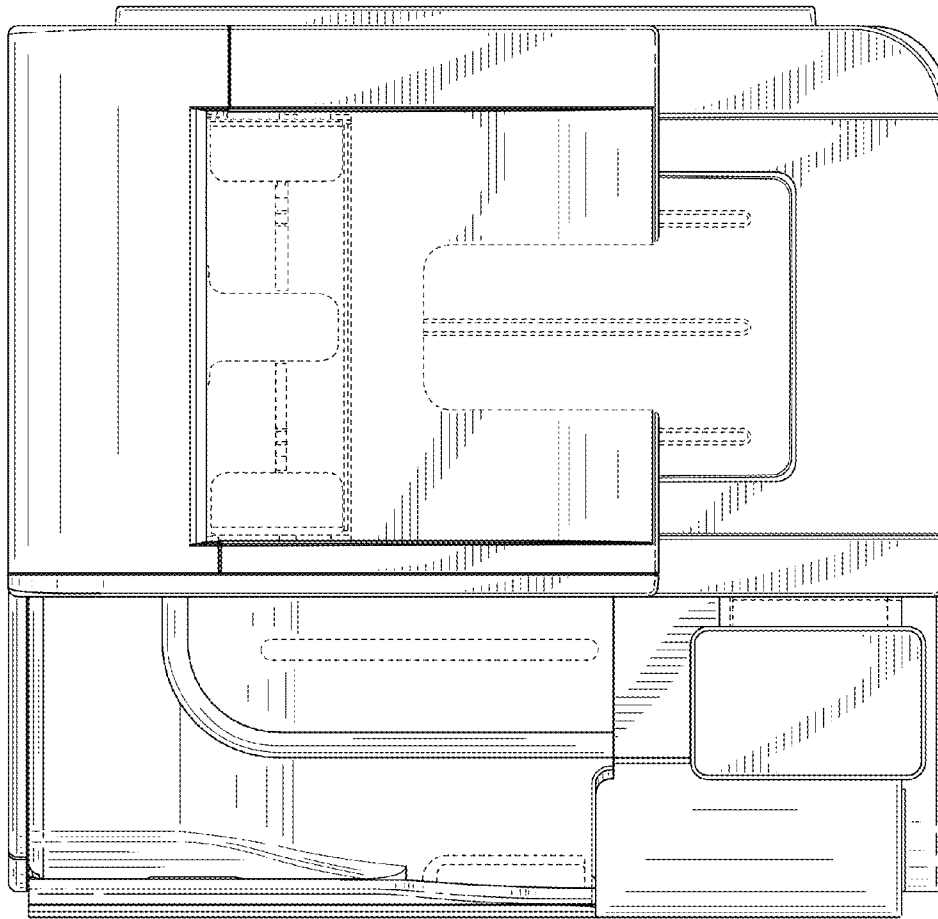


FIG. 7

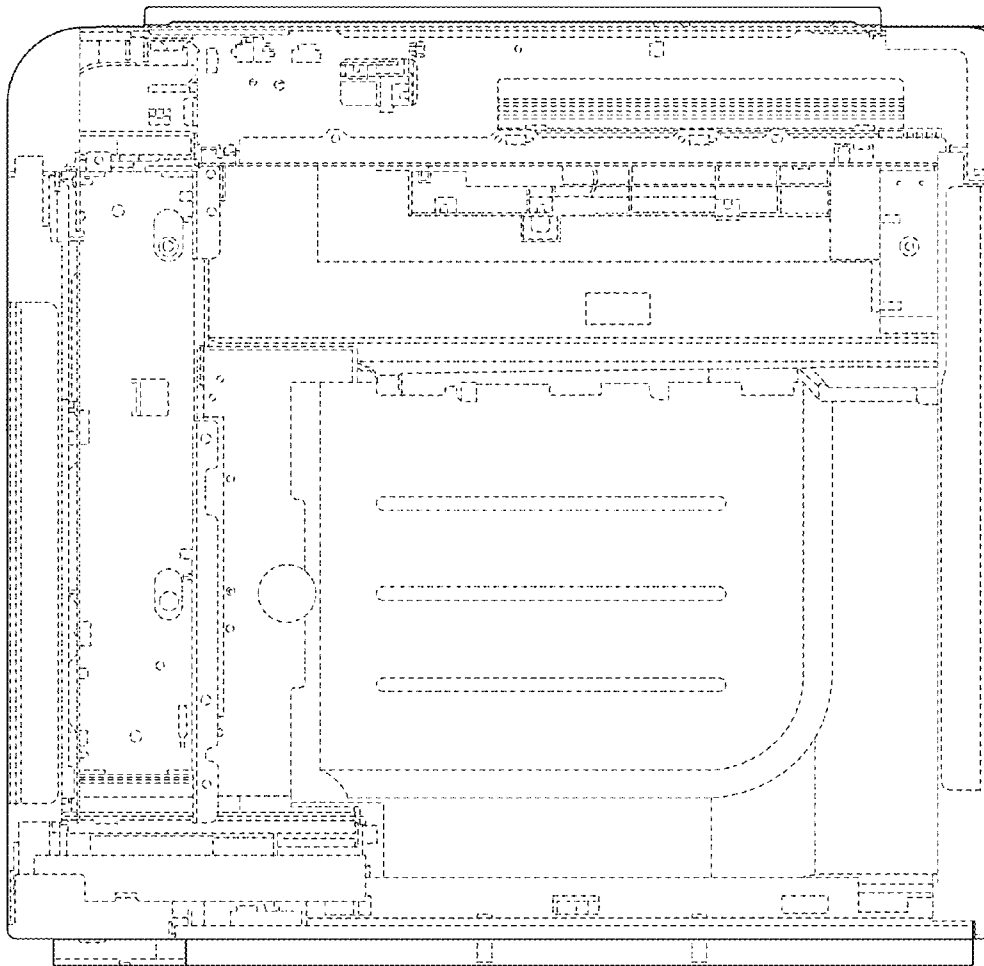


FIG. 8