



US00D891769S

(12) **United States Design Patent**  
**Chen**

(10) **Patent No.:** **US D891,769 S**

(45) **Date of Patent:** **\*\* Aug. 4, 2020**

(54) **GUN CLEANING KIT CASE**

(71) Applicant: **Sheng Chen**, Ningbo (CN)

(72) Inventor: **Sheng Chen**, Ningbo (CN)

(\*\*) Term: **15 Years**

(21) Appl. No.: **29/701,312**

(22) Filed: **Aug. 9, 2019**

(51) **LOC (12) Cl.** ..... **03-01**

(52) **U.S. Cl.**  
USPC ..... **D3/262**

(58) **Field of Classification Search**  
USPC ..... D3/262, 254, 221-225, 273, 276, 282,  
D3/294, 297, 201

CPC .... A45C 13/02; F41A 29/00; F41A 29/02-04;  
B65D 85/00; B25H 3/02

See application file for complete search history.

(56) **References Cited**

**U.S. PATENT DOCUMENTS**

4,901,464	A *	2/1990	Banoun	.....	F41A 29/00 206/315.11
D339,470	S *	9/1993	Marks	.....	D3/205
5,394,966	A *	3/1995	Chow	.....	A45C 13/1084 190/119
D440,043	S *	4/2001	Miller	.....	D3/282
D478,209	S *	8/2003	Chen	.....	D3/282
7,165,673	B2 *	1/2007	Marks	.....	A45C 13/02 206/373
7,987,626	B2 *	8/2011	Williams	.....	F41A 29/02 206/223
D667,217	S *	9/2012	Buie, II	.....	D3/262
D672,143	S *	12/2012	Buie, II	.....	D3/262
D672,144	S *	12/2012	Buie, II	.....	D3/262
D672,145	S *	12/2012	Buie, II	.....	D3/262
8,707,607	B2 *	4/2014	Williams	.....	F41A 29/02 206/362
D716,547	S *	11/2014	Pennington	.....	D3/262
D754,436	S *	4/2016	Ou	.....	D3/282

9,476,664	B2 *	10/2016	Williams	.....	B65D 77/22
D785,938	S *	5/2017	Ou	.....	D3/282
D789,085	S *	6/2017	Jacobson	.....	D3/262
D841,981	S *	3/2019	Kogel	.....	D3/282
10,429,148	B2 *	10/2019	Jacobson	.....	F41A 29/00
D873,011	S *	1/2020	Kao	.....	D3/282
10,612,879	B2 *	4/2020	Jacobson	.....	F41A 29/00
2012/0090215	A1 *	4/2012	Buie, II	.....	B25H 3/023 42/95
2012/0152944	A1 *	6/2012	Vilkomirski	.....	B25H 3/022 220/4.28

(Continued)

*Primary Examiner* — Mitchell I. Siegel

(74) *Attorney, Agent, or Firm* — Innovation Capital Law Group, LLP; Vic Lin

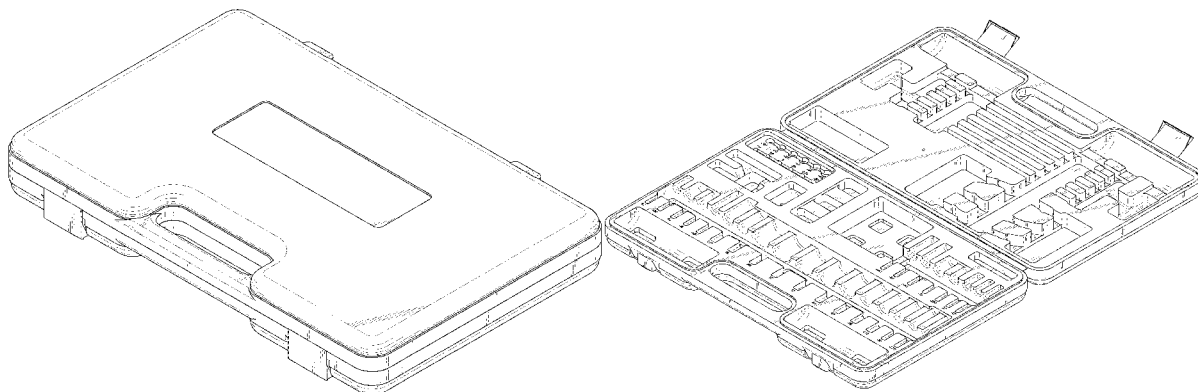
(57) **CLAIM**

The ornamental design for a gun cleaning kit case, as shown and described.

**DESCRIPTION**

FIG. 1 is a front elevation view of a closed gun cleaning kit case, showing my design;  
 FIG. 2 is a rear elevation view thereof;  
 FIG. 3 is a right elevation view thereof;  
 FIG. 4 is a left elevation view thereof;  
 FIG. 5 is a top plan view thereof;  
 FIG. 6 is a bottom plan view thereof;  
 FIG. 7 is a top perspective view thereof;  
 FIG. 8 is a bottom perspective view of thereof;  
 FIG. 9 is a front elevation view of an open gun cleaning kit case, showing my design;  
 FIG. 10 is a rear elevation view of thereof;  
 FIG. 11 is a right elevation view thereof;  
 FIG. 12 is a left elevation view thereof;  
 FIG. 13 is a top plan view thereof;  
 FIG. 14 is a bottom plan view thereof;  
 FIG. 15 is a top perspective view thereof; and,  
 FIG. 16 is a top perspective view thereof.

**1 Claim, 16 Drawing Sheets**



(56)

**References Cited**

U.S. PATENT DOCUMENTS

2015/0165617 A1\* 6/2015 Chern ..... B25H 3/02  
206/374

\* cited by examiner

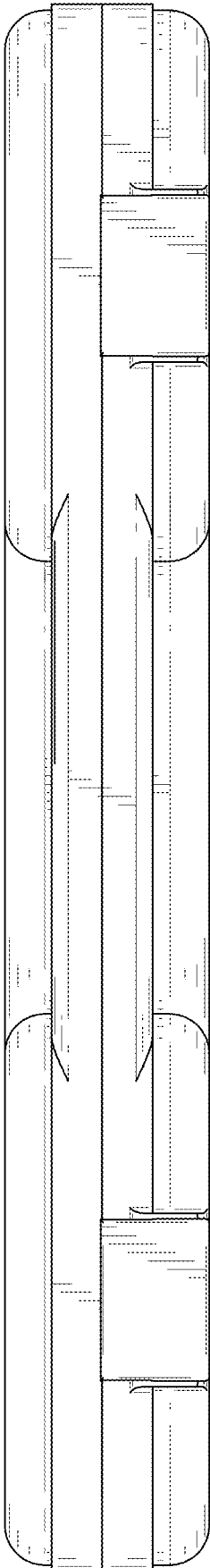


FIG. 1

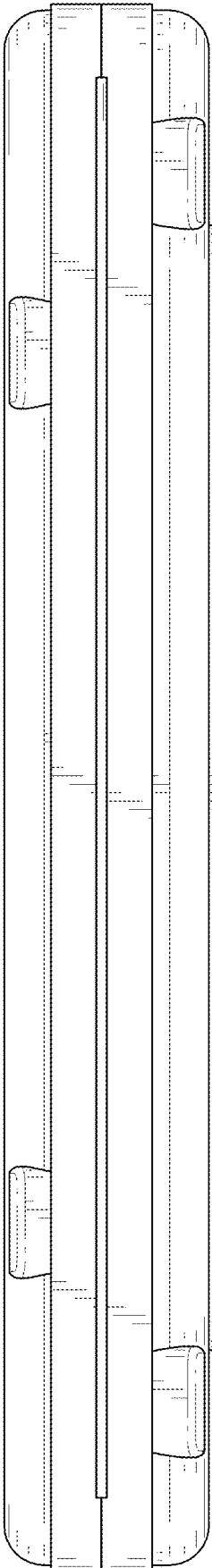


FIG. 2

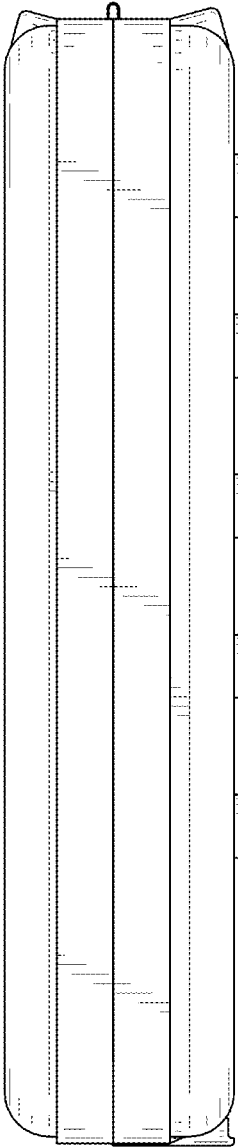


FIG. 3

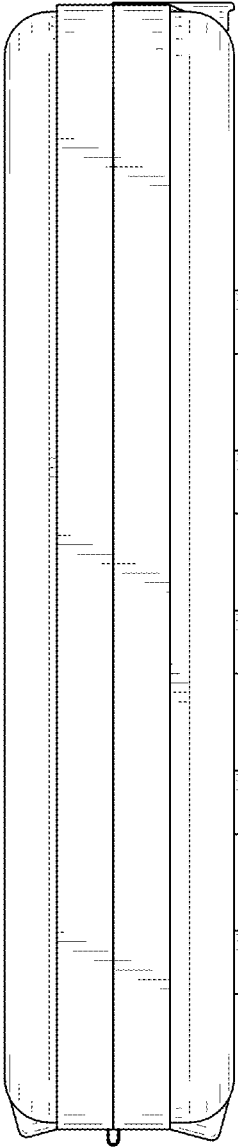


FIG. 4

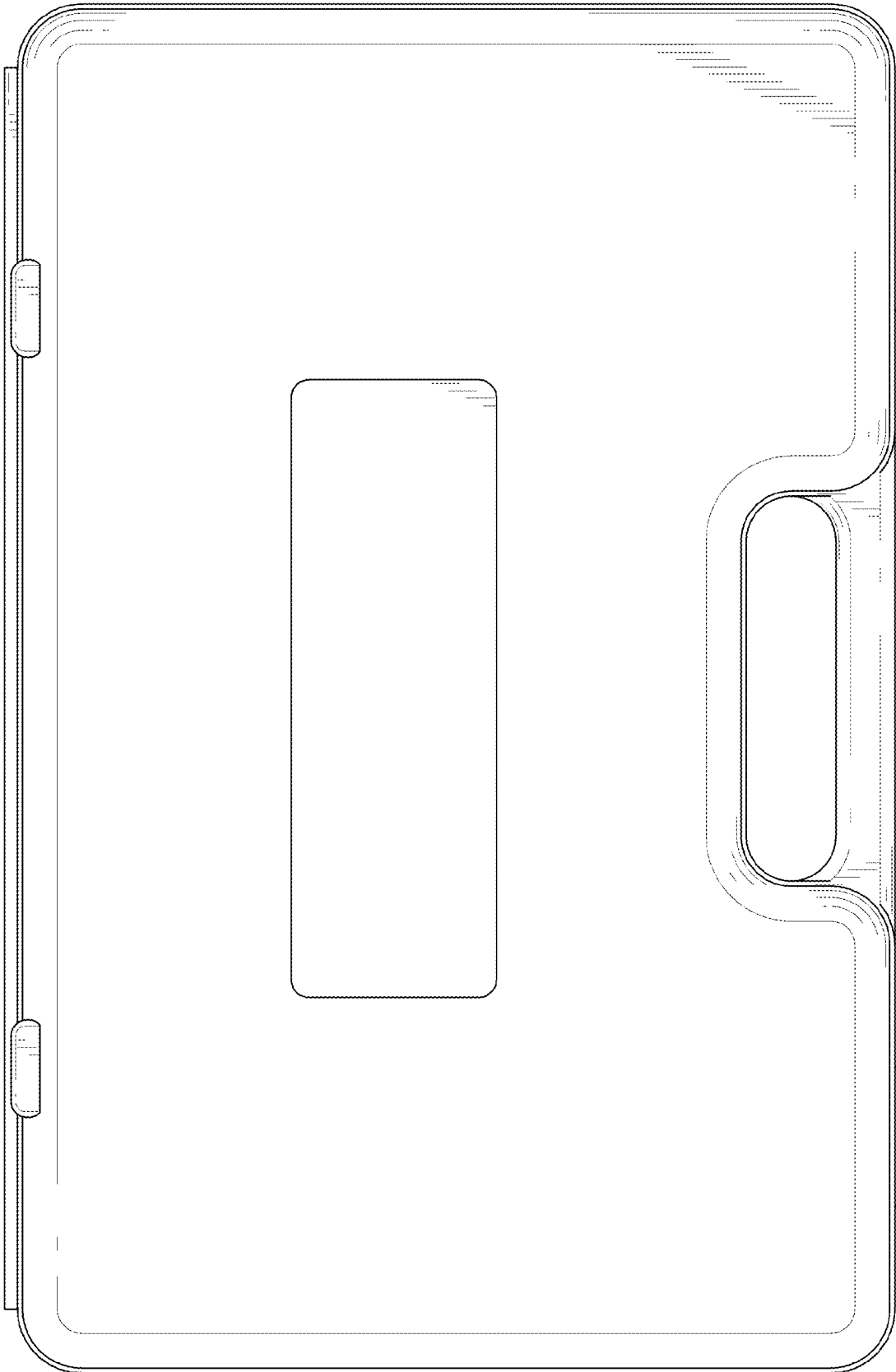


FIG. 5

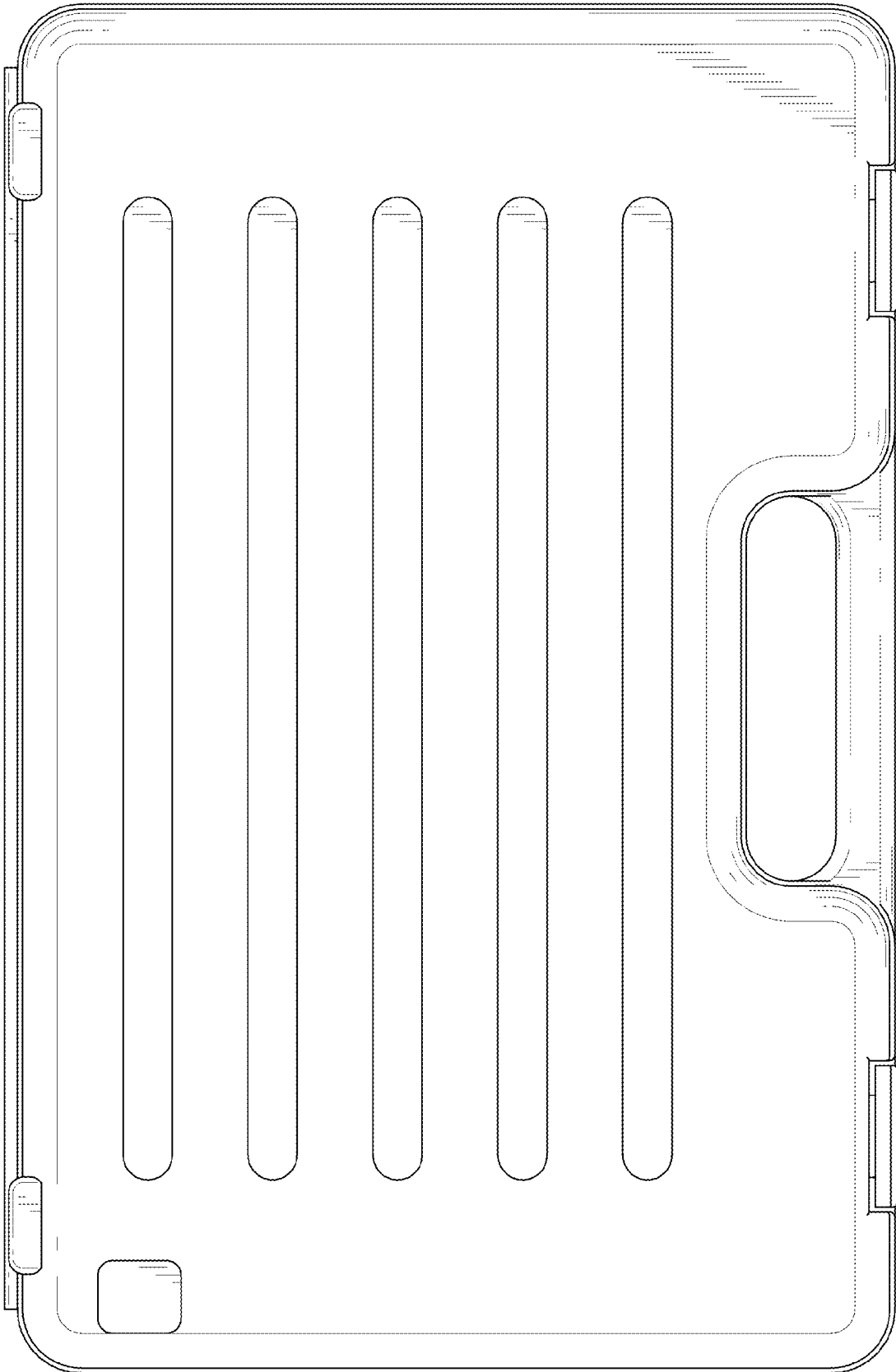


FIG. 6

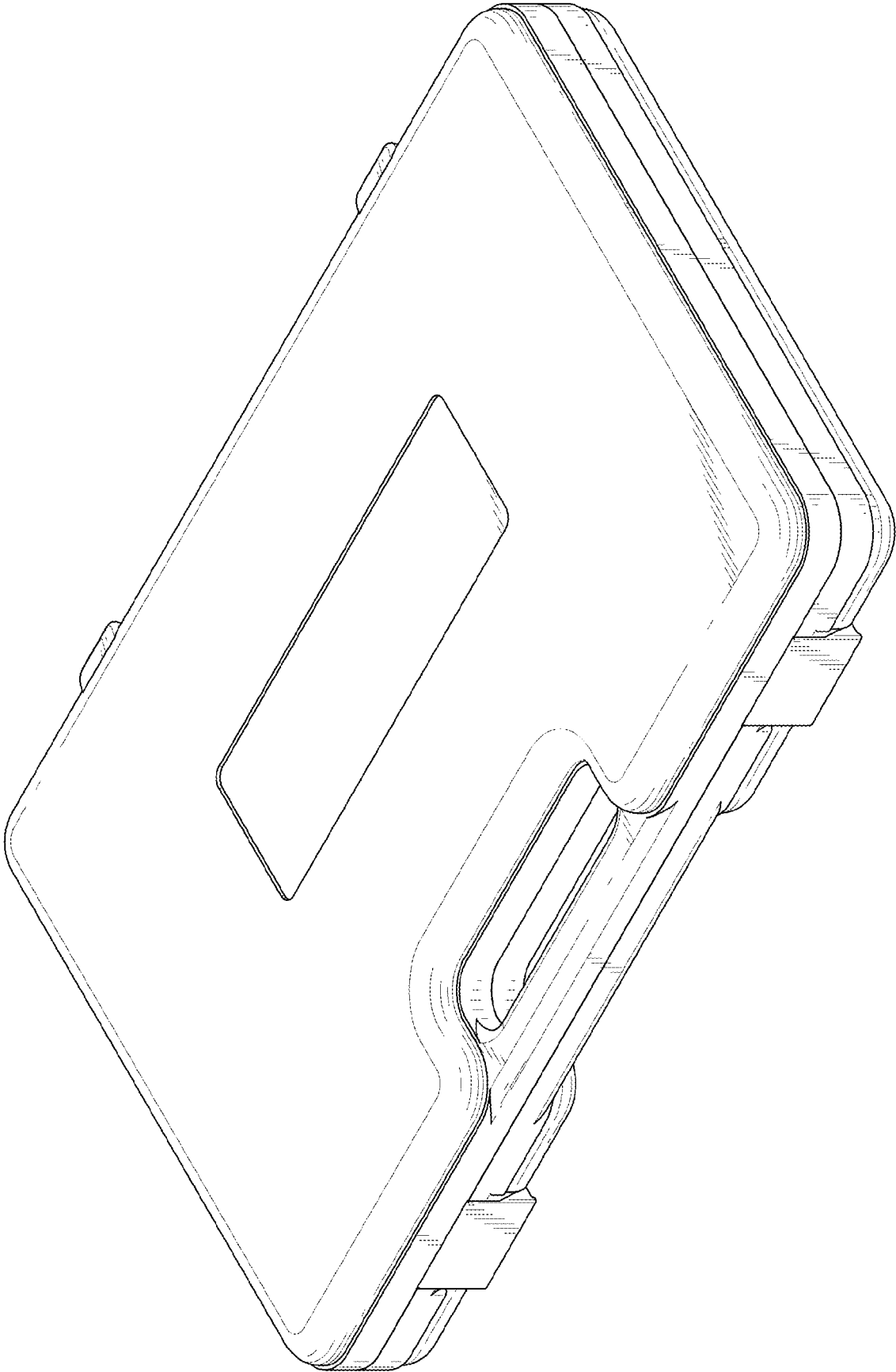


FIG. 7

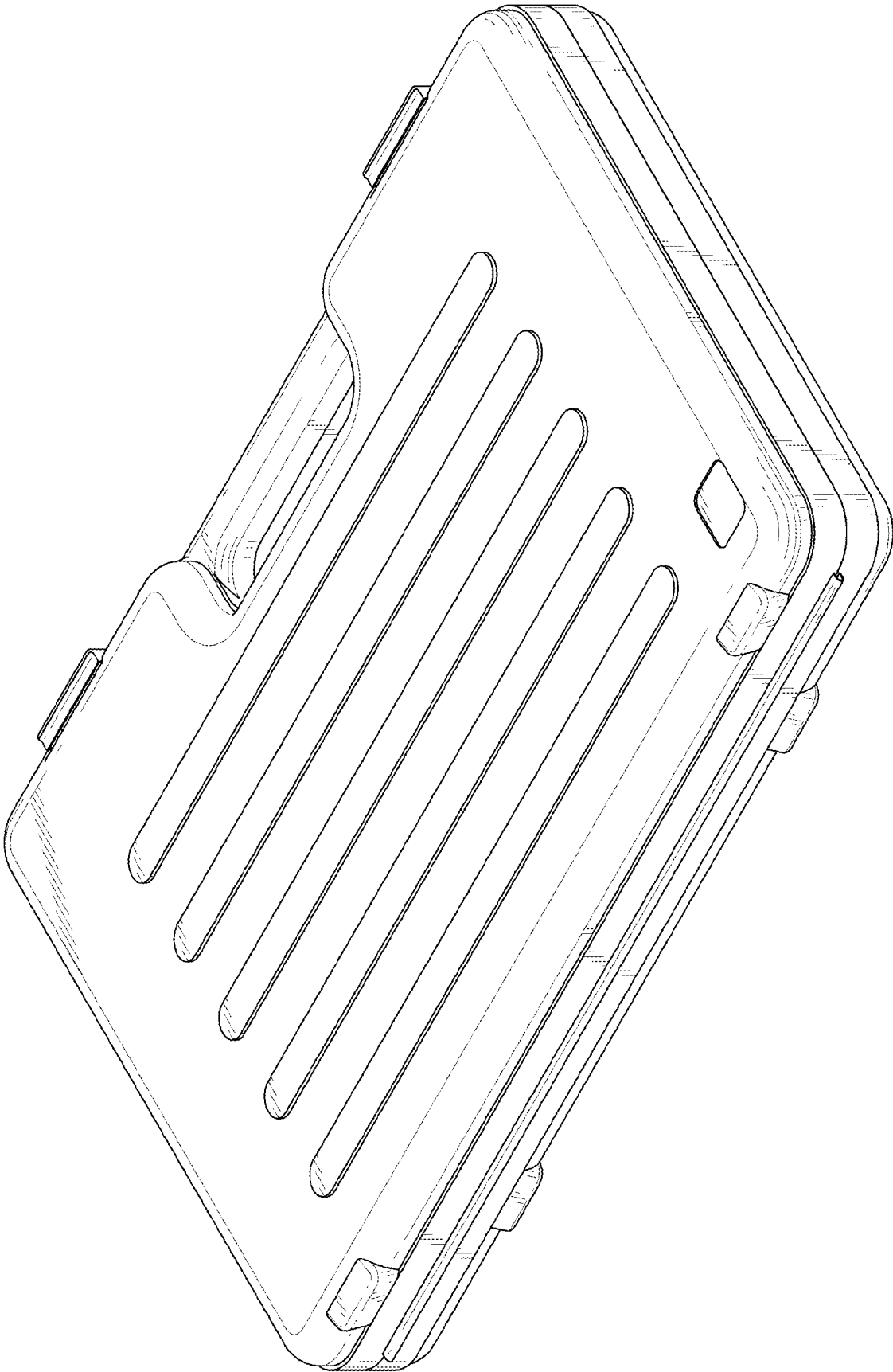


FIG. 8

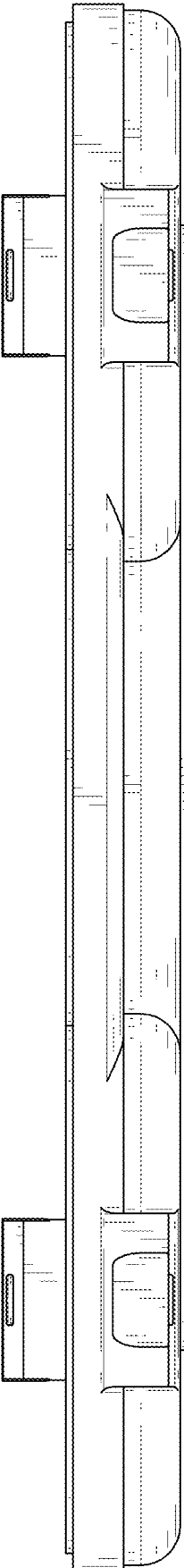


FIG. 9

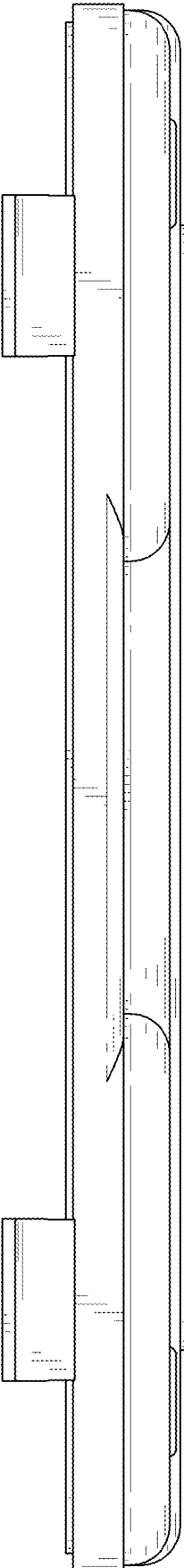


FIG. 10

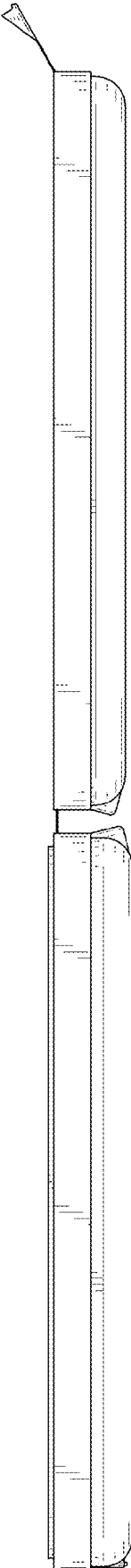


FIG. 11

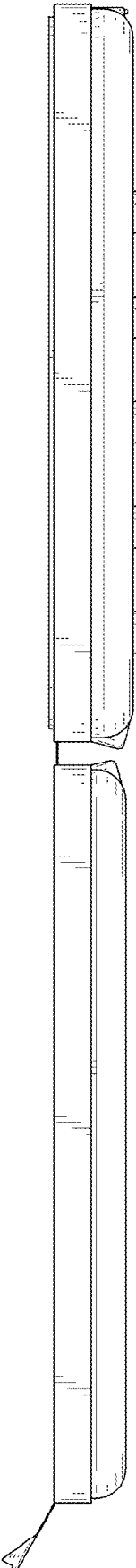


FIG. 12

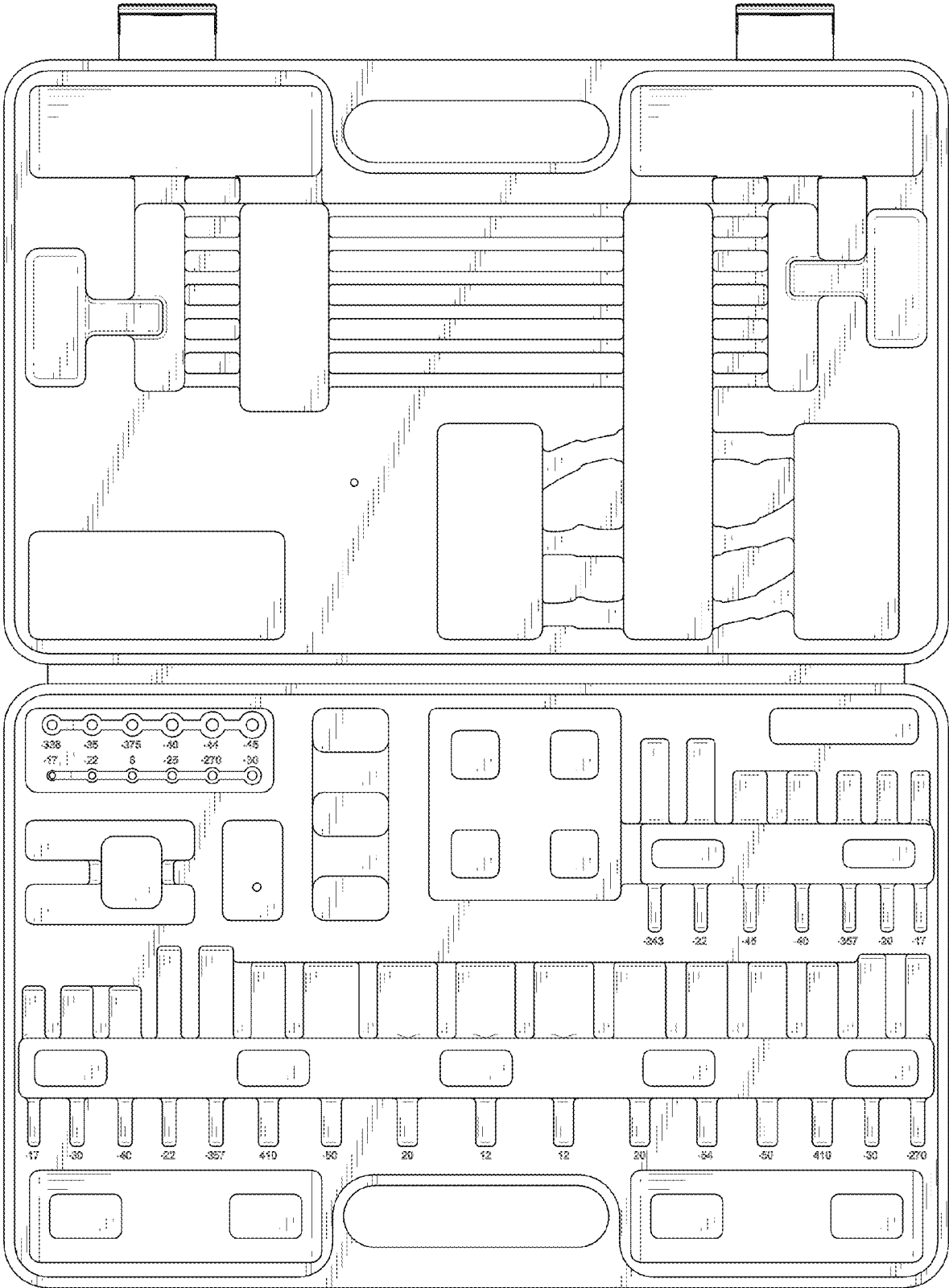


FIG. 13

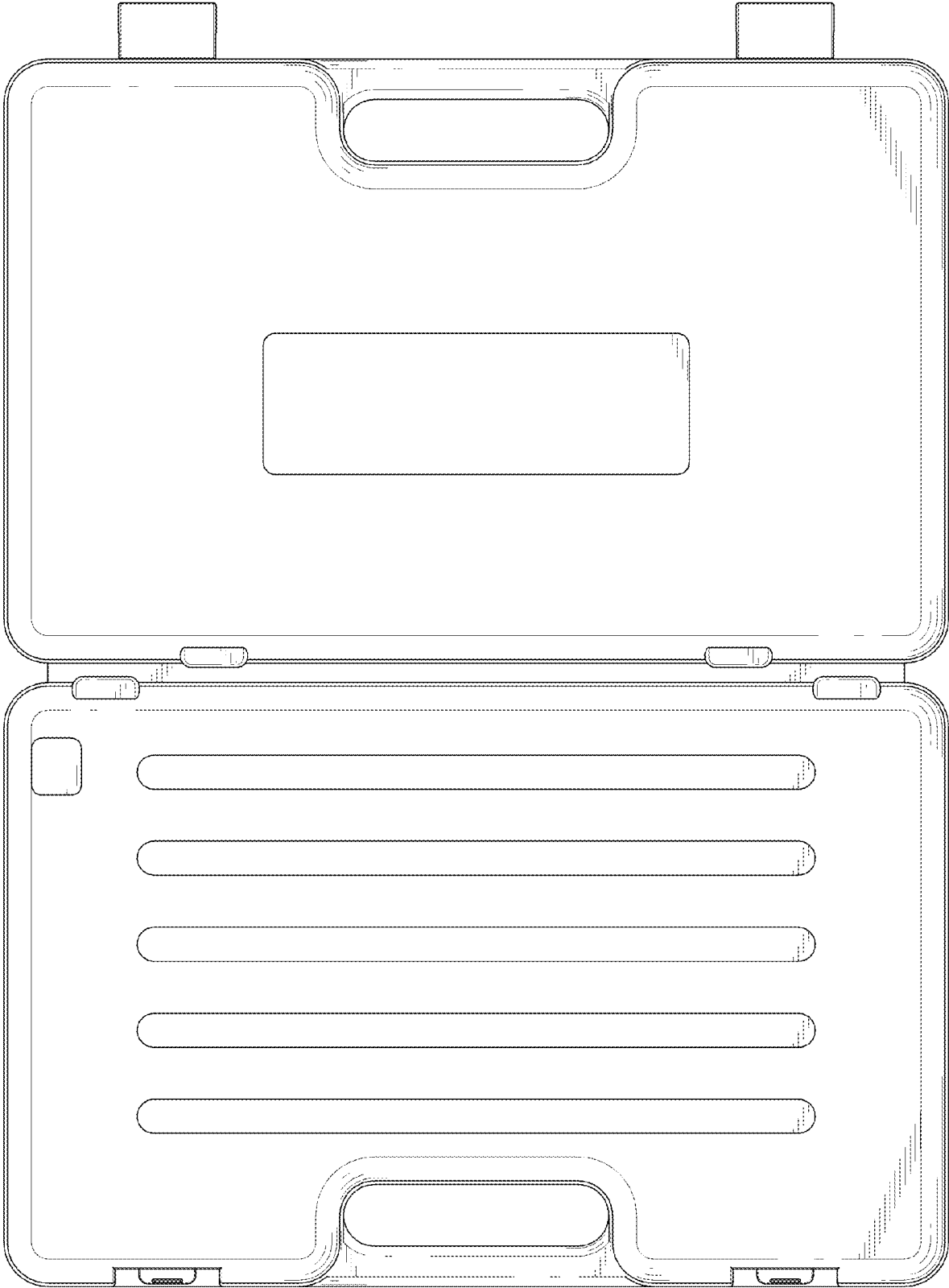


FIG. 14

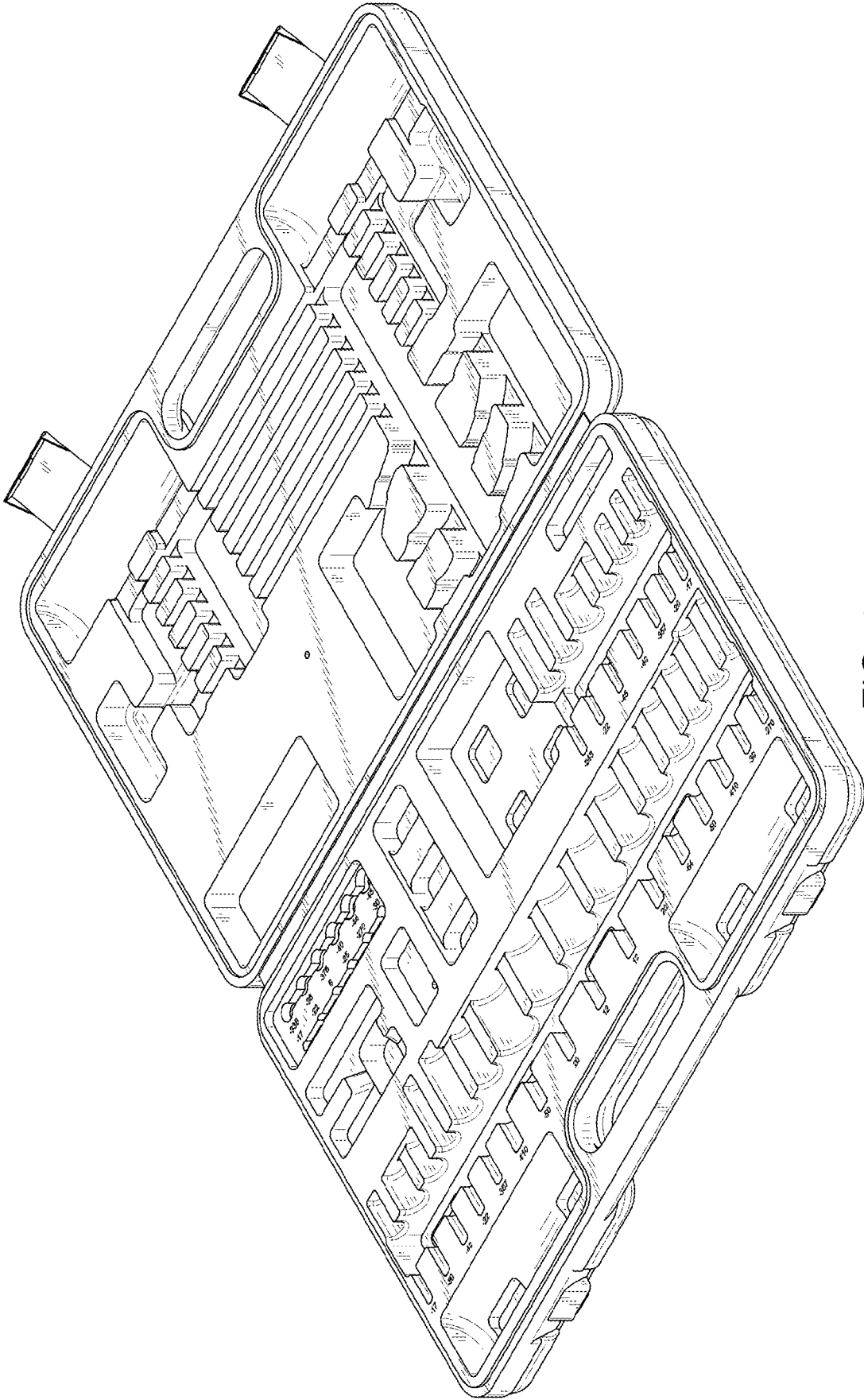


FIG. 15

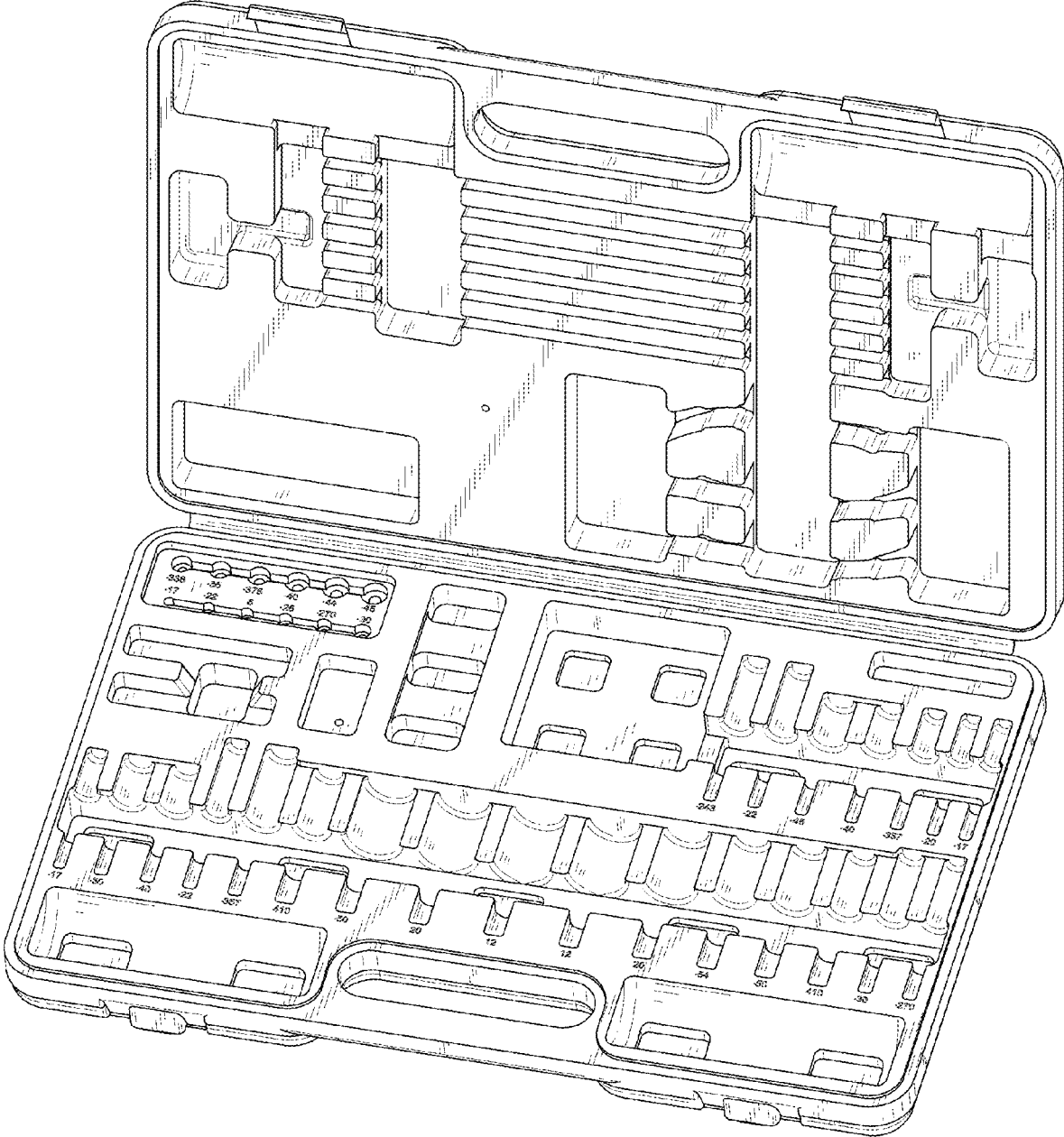


FIG. 16