



(51) International Patent Classification:

E04H 1/12 (2006.01) *B60P 3/14* (2006.01)
E04H 3/04 (2006.01) *E04B 1/343* (2006.01)
B05B 15/12 (2006.01)

(21) International Application Number:

PCT/EP2012/001747

(22) International Filing Date:

24 April 2012 (24.04.2012)

(25) Filing Language:

English

(26) Publication Language:

English

(30) Priority Data:

10 2011 018 706.5 26 April 2011 (26.04.2011) DE

(71) Applicant (for all designated States except US): **PPG INDUSTRIES OHIO, INC.** [US/US]; 3800 West 143rd Street, Cleveland, Ohio 44111 (US).

(72) Inventor; and

(75) Inventor/Applicant (for US only): **LEUCHTEN, Thomas** [DE/DE]; c/o PPG Industries Lacke GmbH, Düsseldorf Strasse 80, 40721 Hilden (DE).

(74) Agent: **FLEISCHER, Holm**; Polypatent, Braunsberger Feld 29, 51429 Bergisch Gladbach (DE).

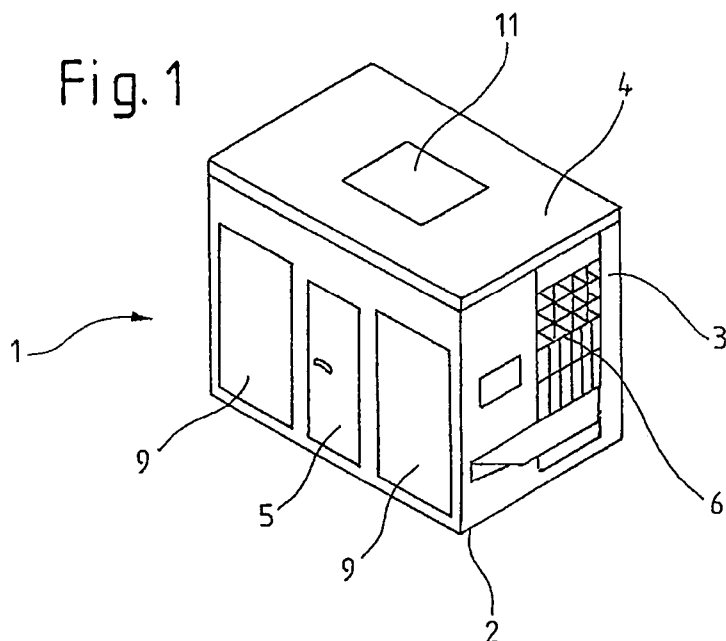
(81) Designated States (unless otherwise indicated, for every kind of national protection available): AE, AG, AL, AM, AO, AT, AU, AZ, BA, BB, BG, BH, BR, BW, BY, BZ, CA, CH, CL, CN, CO, CR, CU, CZ, DE, DK, DM, DO, DZ, EC, EE, EG, ES, FI, GB, GD, GE, GH, GM, GT, HN, HR, HU, ID, IL, IN, IS, JP, KE, KG, KM, KN, KP, KR, KZ, LA, LC, LK, LR, LS, LT, LU, LY, MA, MD, ME, MG, MK, MN, MW, MX, MY, MZ, NA, NG, NI, NO, NZ, OM, PE, PG, PH, PL, PT, QA, RO, RS, RU, RW, SC, SD, SE, SG, SK, SL, SM, ST, SV, SY, TH, TJ, TM, TN, TR, TT, TZ, UA, UG, US, UZ, VC, VN, ZA, ZM, ZW.

(84) Designated States (unless otherwise indicated, for every kind of regional protection available): ARIPO (BW, GH, GM, KE, LR, LS, MW, MZ, NA, RW, SD, SL, SZ, TZ, UG, ZM, ZW), Eurasian (AM, AZ, BY, KG, KZ, MD, RU, TJ, TM), European (AL, AT, BE, BG, CH, CY, CZ, DE, DK, EE, ES, FI, FR, GB, GR, HR, HU, IE, IS, IT, LT, LU, LV, MC, MK, MT, NL, NO, PL, PT, RO, RS, SE, SI, SK, SM, TR), OAPI (BF, BJ, CF, CG, CI, CM, GA, GN, GQ, GW, ML, MR, NE, SN, TD, TG).

Published:

- with international search report (Art. 21(3))
- before the expiration of the time limit for amending the claims and to be republished in the event of receipt of amendments (Rule 48.2(h))

(54) Title: PAINT MIXING ROOM



(57) Abstract: The invention relates to a paint mixing room (1) comprising a base portion (2), four walls (3), a top portion (4) and at least one door (5) located in one of the walls (3); at least one shelf (6), particularly for water-borne products, solvent-borne products and/or color tools; at least one workbench (7); a color station (8) comprising e.g. a personal computer, a spectrophotometer, and a barcode reader; a connector for an electrical power supply; and a ventilation system (11); wherein the paint mixing room (1) is portable.



Paint Mixing Room

The invention relates to a paint mixing room comprising a base portion, four walls, a top portion, and at least one door located in one of the walls; at least one shelf, particularly for water-borne products, solvent-borne products with mixing heads
5 and paddles and/or color tools; at least one workbench; a color station comprising e.g. a personal computer, a spectrophotometer, and a barcode reader; a connector for an electrical power supply; and a ventilation system. The at least one shelf, the at least one workbench and the color station are advantageously
10 located inside the paint mixing room.

Paints, e.g. for painting a car, must be mixed and prepared before they are applied to the work piece to be painted. Due to evaporation of the paint during mixing and preparation, the air is polluted by vapors. In many countries, federal
15 regulations are in force with respect to paint mixing rooms to protect persons working in a paint mixing room against hazards caused by paint vapors. This federal regulation e.g. relate to the ventilation and fire safety of a paint mixing room. Furthermore, paint mixing rooms must be explosion-proof.

20 In case a paint manufacturer wants to present new paint products and/or painting equipment at customers, the demonstration often takes place in a corner away from the existing mixing room due to space issues. In such an environment, it is impossible to present the paint products and/or the painting equipment in an optimal way, especially to demonstrate real value.

25 To overcome these issues, applicant has previously developed a demonstration van to present paint products and painting equipment to customers. In such a way, the paint product and the painting equipment can be presented in a professional environment, but it is temporarily and does not show what is possible
30 in relation to a real paint mixing room. Furthermore, the available space in such a modified van is very limited and the whole van can swing in case a person is moving inside the van.

It is thus an object of the present invention to provide an environment in which paint products and/or painting equipment can be presented to the customers in an optimal way, especially which allows to demonstrate real value.

5 The problem is solved by a paint mixing room comprising a base portion; four walls; a top portion; and a least one door located in one of the walls; at least one shelf, particularly for water-borne products, solvent-borne products with mixing heads and paddles and/or color tools; at least one workbench; a color station comprising e.g. a personal computer, a spectrophotometer and a barcode reader;
10 a connector for an electrical power supply; and a ventilation system, wherein the paint mixing room is portable. The at least one shelf, the at least one workbench and the color station are advantageously located inside the paint mixing room. Preferably the paint mixing room is fully self-contained and fulfills all regulations with respect to ventilation, fire-safety and stability.

15

The paint mixing room is portable in the sense of this invention in case it can be moved by a transport vehicle or a trailer.

A fully self-contained paint mixing room in the sense of the invention is a paint
20 mixing room containing all necessary equipment to produce a paint for painting a work piece, and the paint mixing room fulfills all regulations with respect to ventilation, fire-safety and stability in case a person is allowed to work inside the paint mixing room over a long period.

25 The paint mixing room according to the invention has the advantage that it can be equipped at the producer with all necessary items to present a showroom/mixing room to a customer and present real value. The fully equipped self-contained paint mixing room can be transported to a customer where it can be e.g. placed in a body shop, where the showroom/mixing room can be present to the customer in
30 an optimal way.

According to a variant of the invention, the paint mixing room is built and sized in such a way that it can be transported via a trailer. In this room the paint mixing room can be easily transported to a customer.

According to a further variant of the invention, the paint mixing room is at most 6 m long, 4 m wide and 3 m high, preferably 3 m long, 2 m wide and 2.5 m high. A paint mixing room with these dimensions can be e.g. transported via trailer and
5 placed into a body shop at the customer.

In a further variant, the paint mixing room further comprises at least two recesses in the base portion which are configured in such a way that the paint mixing room can be moved by a fork lift. In this way, the paint mixing room can be e.g. placed
10 in a body shop via a fork lift.

In a further variant, the paint mixing room comprises at least two wheels, preferably four wheels, at the base portion. A paint mixing room with at least two wheels, preferably four wheels, can be moved at the customer e.g. into a body
15 shop. Preferably, the wheels have a diameter less than 10 cm and consists of a hard material, e.g. plastic.

According to a preferred variant, the at least two wheels, preferably four wheels, are retractable. Hence, the wheels can be retracted once the paint mixing room
20 has been moved to its final destination. This has the advantage that the paint mixing room is stable during its use. Alternatively, some of the wheels comprise a brake.

In a further variant, the paint mixing room comprises connecting means for
25 connecting the paint mixing room to a crane, preferably located at the top portion. Using these connecting means the paint mixing room can be moved at the customer via a crane.

According to a preferred variant, one of the sidewalls of the paint mixing room,
30 preferably the sidewall comprising the door, comprises at least one window. Preferably, at least 50% of the surface area of the sidewall consists of window glass. Hence, more light from outside can shine into the paint mixing room and persons can look from outside into the paint mixing room e.g. during a presentation.

Advantageously, the paint mixing room is fully constructed and equipped prior to delivery. Thus, the paint mixing room can be used for a presentation directly after it has been transported to a customer.

5

According to a further preferred variant of the invention, the outside walls of the paint mixing room further comprise a shelf, a work table, at least one scale and/or a personal computer. Hence, outside the painting mixing rooms are working stations which can also be used during the presentation in case the used products
10 do not have to be handled inside a paint mixing room due to safety regulations.

According to a further variant of the invention, at least one of the four walls is moveable relative to the other walls to extend the working space inside the paint mixing room.

15

In the following, an embodiment of the invention will be described with reference to the accompanying figures:

Figure 1 shows a perspective view of a paint mixing room according to an
20 embodiment of the invention, and

Figure 2 shows an inside view of the paint mixing room according to Figure 1.

Figure 1 shows a painting mixing room 1 comprising a base portion 2, four
25 walls 3, a top portion 4, and at least one door 5 located in one the walls 3; at least one shelf, particularly for water-borne products, solvent-borne products with mixing heads and paddles and/or color tools; at least one workbench 7; a color station 8 comprising e.g. a personal computer, a spectrophotometer, and a barcode reader; a connector for an electrical power supply; and a ventilation
30 system; wherein the paint mixing room 1 is portable.

The paint mixing room 1 is fully constructed prior to delivery rather than pre-fabricated and then assembled at the customer. The fully self-contained paint

mixing room 1 fulfills all regulations with respect to ventilation, fire-safety and stability.

After the paint mixing room 1 has been transported to a customer, where products
5 will be presented, the paint mixing room 1 only has to be connected to a power supply and is ready for use. The paint mixing room 1 can be used to present products in an optimal way and to demonstrate real value.

The paint mixing room 1 is built and sized in such a way that it can be transported
10 via a trailer. The paint mixing room 1 according to figure 1 is 3 m long, 2 m wide and 2.8 m high. Thus, the paint mixing room 1 can be easily transported to a customer.

The base portion 2 of the paint mixing room 1 comprises two recesses 10 which
15 are configured in such a way that the paint mixing room 1 can be moved by a fork lift.

The base portion 2 further comprises four wheels (not shown) which are retractable. The paint mixing room 1 can be moved into its final position at the
20 customer via these wheels. After the paint mixing room 1 has reached its final destination, the wheels are retracted and the base portion 2 of the paint mixing room 1 rests on the ground floor.

The sidewall 3 comprising the door 5 as well as the door 5 itself comprise
25 windows 9. More than 50% of the surface area of the sidewall 3 and the door 5 consists of window glass. Hence, one can look inside the paint mixing room during a presentation so that during a presentation of products only one person should be inside the paint mixing room 1 while the others watch the presentation from outside.

30

Two outside walls 4 of the paint mixing room 1, each comprising a shelf 6, a workbench 7, at least one scale which can be placed inside the shelf 6, and/or a personal computer which can be integrated into the sidewall 4 and the use via a touch pad display.

Preferably, at least one of the four walls 3 is moveable relative to the other walls 3 to extend the working space inside the paint mixing room 1. Hence, the paint mixing room 1 can be extended after it has been transported to a customer and
5 moved to its final destination.

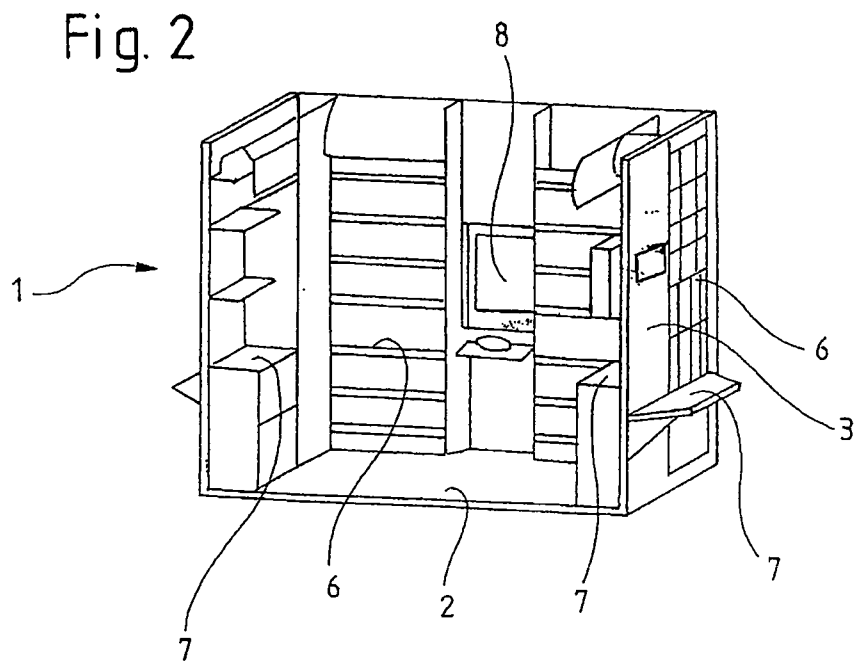
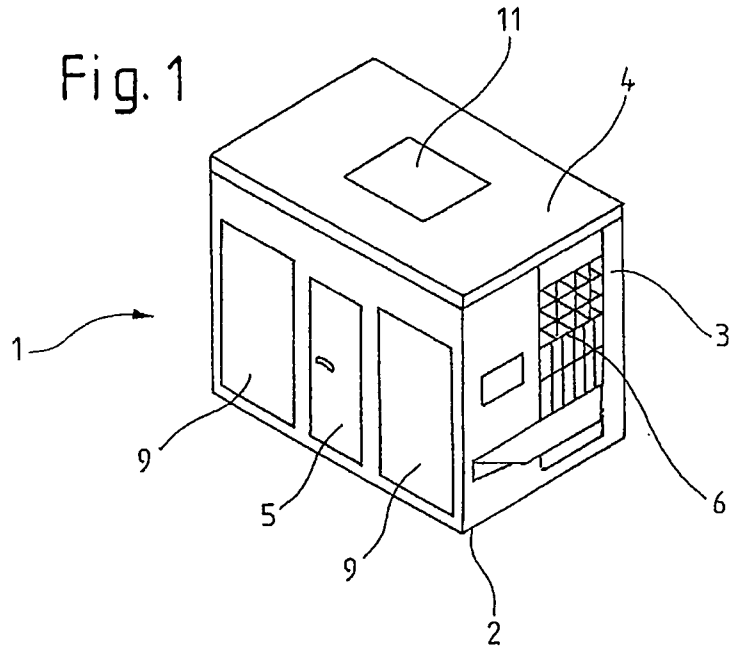
Figure 2 shows an inside view of the paint mixing room 1 according to figure 1. The inside of the paint mixing room 1 comprises several shelves 6, particularly for water-borne products, solvent-borne products with mixing heads and paddles
10 and/or color tools; two workbenches 7; and a color station 8 comprising e.g. a personal computer, a spectrophotometer, and a barcode reader. The paint mixing room 1 is fully constructed and equipped prior to delivery. Hence, all necessary items for mixing a paint formulation are contained inside the paint mixing room 1. Once the paint mixing room 1 has been transported to a customer, the
15 presentation of the products can start directly after the paint mixing room 1 has been connected to a power supply. Preferably, the inside of the paint mixing room 1 is air-conditioned and has been built in an air-extraction via the ventilation system 11.

- 1 paint mixing room
- 2 base portion
- 3 wall
- 4 top portion
- 5 5 door
- 6 shelf
- 7 workbench
- 8 color station
- 9 window
- 10 10 recess
- 11 ventilation

Claims

1. Paint mixing room (1) comprising:
a base portion (2), four walls (3), a top portion (4) and at least one door (5)
5 located in one of the walls (3);
at least one shelf (6), particularly for water-borne products, solvent-borne
products with mixing heads and paddles and/or color tools;
at least one workbench (7);
a color station (8) comprising e.g. a personal computer, a
10 spectrophotometer, and a barcode reader;
a connector for an electrical power supply; and
a ventilation system (11)
characterized in that
the paint mixing room (1) is portable.
15
2. Paint mixing room (1) according to claim 1,
characterized in that
the paint mixing room (1) is built and sized in such a way that it can be
transported via a trailer.
20
3. Paint mixing room (1) according to claim 2,
characterized in that
the paint mixing room (1) is at most 6 m long, 4 m wide and 3 m high,
preferably 3 m long, 2 m wide and 2.8 m high.
25
4. Paint mixing room (1) according to one of claims 1 to 3,
further comprising at least two recesses (10) in the base portion (2) which
are configured in such a way that the paint mixing room (1) can be moved
by a fork lift.
30
5. Paint mixing room (1) according to one of claims 1 to 4, further comprising
at least two wheels, preferably four wheels, at the base portion (2).

6. Paint mixing room (1) according to claim 5, wherein the at least two wheels are retractable.
7. Paint mixing room (1) according to one of claims 1 to 6, further comprising
5 connecting means for connecting the paint mixing room 1 to a crane, preferably located at the top portion (4).
8. Paint mixing room (1) according to one of claims 1 to 7,
10 characterized in that one of the sidewalls (3), preferably the sidewall (3) comprising the door (5), comprises at least one window (9).
9. Paint mixing room (1) according to claim 8,
15 wherein at least 50% of the surface area of the sidewall (3) consist of window glass (9).
10. Paint mixing room (1) according to one of claims 1 to 9,
20 characterized in that the paint mixing room (1) is fully constructed and equipped prior to delivery.
11. Paint mixing room (1) according to one of claims 1 to 10, wherein the
outside walls (4) of the paint mixing room (1) further comprise:
at least one shelf (6),
at least one workbench (7),
25 at least one scale and/or
at least one personal computer.
12. Paint mixing room (1) according to one of claims 1 to 11,
30 characterized in that at least one of the four walls (3) is moveable relative to the other walls (3) to extend the working space inside the paint mixing room (1).



INTERNATIONAL SEARCH REPORT

International application No
PCT/EP2012/001747

A. CLASSIFICATION OF SUBJECT MATTER
 INV. E04H1/12 E04H3/04 B05B15/12 B60P3/14 E04B1/343
 ADD.
 According to International Patent Classification (IPC) or to both national classification and IPC

B. FIELDS SEARCHED
 Minimum documentation searched (classification system followed by classification symbols)
 E04H B05B B60P E04B
 Documentation searched other than minimum documentation to the extent that such documents are included in the fields searched

Electronic data base consulted during the international search (name of data base and, where practicable, search terms used)
 EPO-Internal

Category*	Citation of document, with indication, where appropriate, of the relevant passages	Relevant to claim No.
A	US 5 864 991 A (BURNS GARY [US]) 2 February 1999 (1999-02-02) column 1, line 60 - column 2, line 4 column 2, line 55 - column 4, line 5; figures 1-6 -----	1-3,5,8, 10,12
A	EP 1 983 118 A2 (HPM DIVISIONE NAUTICA S R L [IT]) 22 October 2008 (2008-10-22) column 2, line 8 - column 3, line 14; figures 1,2 -----	1-4,10, 12
A	DE 17 52 231 A1 (FROEHLICH ALBERT) 19 May 1971 (1971-05-19) page 3, line 4 - page 5, line 23; figures 1-4 -----	1-3,5,6, 10,12

Further documents are listed in the continuation of Box C.

See patent family annex.

* Special categories of cited documents :

- "A" document defining the general state of the art which is not considered to be of particular relevance
- "E" earlier application or patent but published on or after the international filing date
- "L" document which may throw doubts on priority claim(s) or which is cited to establish the publication date of another citation or other special reason (as specified)
- "O" document referring to an oral disclosure, use, exhibition or other means
- "P" document published prior to the international filing date but later than the priority date claimed

- "T" later document published after the international filing date or priority date and not in conflict with the application but cited to understand the principle or theory underlying the invention
- "X" document of particular relevance; the claimed invention cannot be considered novel or cannot be considered to involve an inventive step when the document is taken alone
- "Y" document of particular relevance; the claimed invention cannot be considered to involve an inventive step when the document is combined with one or more other such documents, such combination being obvious to a person skilled in the art
- "&" document member of the same patent family

Date of the actual completion of the international search 27 September 2012	Date of mailing of the international search report 08/10/2012
Name and mailing address of the ISA/ European Patent Office, P.B. 5818 Patentlaan 2 NL - 2280 HV Rijswijk Tel. (+31-70) 340-2040, Fax: (+31-70) 340-3016	Authorized officer Stefanescu, Radu

INTERNATIONAL SEARCH REPORT

Information on patent family members

International application No

PCT/EP2012/001747

Patent document cited in search report	Publication date	Patent family member(s)	Publication date
US 5864991	A	02-02-1999	NONE

EP 1983118	A2	22-10-2008	NONE

DE 1752231	A1	19-05-1971	AT 301722 B 11-09-1972
			BE 714107 A 16-09-1968
			CH 475800 A 31-07-1969
			DE 1752231 A1 19-05-1971
			FR 1564222 A 18-04-1969
			NL 6805830 A 25-10-1968
