



- (51) International Patent Classification:
G02B 27/00 (2006.01) G02B 27/01 (2006.01)
G02B 27/42 (2006.01)
- (21) International Application Number:
PCT/US2016/039705
- (22) International Filing Date:
28 June 2016 (28.06.2016)
- (25) Filing Language: English
- (26) Publication Language: English
- (30) Priority Data:
14/813,245 30 July 2015 (30.07.2015) US
- (71) Applicant: MICROSOFT TECHNOLOGY LICENSING, LLC [US/US]; Attn: Patent Group Docketing (Bldg. 8/1000), One Microsoft Way, Redmond, Washington 98052-6399 (US).
- (72) Inventor: VALLIUS, Tuomas; Microsoft Technology Licensing, Llc, Attn: Patent Group Docketing (Bldg. 8/1000), One Microsoft Way, Redmond, Washington 98052-6399 (US).
- (74) Agents: MINHAS, Sandip et al.; Microsoft Corporation, Attn: Patent Group Docketing (Bldg. 8/1000), One Microsoft Way, Redmond, Washington 98052-6399 (US).
- (81) Designated States (unless otherwise indicated, for every kind of national protection available): AE, AG, AL, AM,

AO, AT, AU, AZ, BA, BB, BG, BH, BN, BR, BW, BY, BZ, CA, CH, CL, CN, CO, CR, CU, CZ, DE, DK, DM, DO, DZ, EC, EE, EG, ES, FI, GB, GD, GE, GH, GM, GT, HN, HR, HU, ID, IL, IN, IR, IS, JP, KE, KG, KN, KP, KR, KZ, LA, LC, LK, LR, LS, LU, LY, MA, MD, ME, MG, MK, MN, MW, MX, MY, MZ, NA, NG, NI, NO, NZ, OM, PA, PE, PG, PH, PL, PT, QA, RO, RS, RU, RW, SA, SC, SD, SE, SG, SK, SL, SM, ST, SV, SY, TH, TJ, TM, TN, TR, TT, TZ, UA, UG, US, UZ, VC, VN, ZA, ZM, ZW.

- (84) Designated States (unless otherwise indicated, for every kind of regional protection available): ARIPO (BW, GH, GM, KE, LR, LS, MW, MZ, NA, RW, SD, SL, ST, SZ, TZ, UG, ZM, ZW), Eurasian (AM, AZ, BY, KG, KZ, RU, TJ, TM), European (AL, AT, BE, BG, CH, CY, CZ, DE, DK, EE, ES, FI, FR, GB, GR, HR, HU, IE, IS, IT, LT, LU, LV, MC, MK, MT, NL, NO, PL, PT, RO, RS, SE, SI, SK, SM, TR), OAPI (BF, BJ, CF, CG, CI, CM, GA, GN, GQ, GW, KM, ML, MR, NE, SN, TD, TG).

Declarations under Rule 4.17:

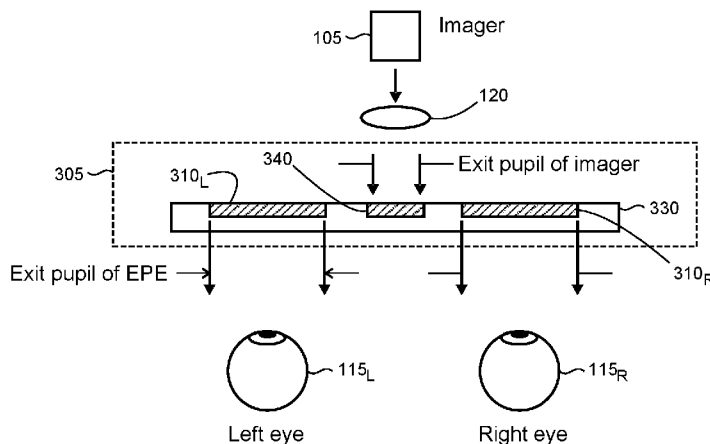
- as to applicant's entitlement to apply for and be granted a patent (Rule 4.17(ii))
- as to the applicant's entitlement to claim the priority of the earlier application (Rule 4.17(iii))

Published:

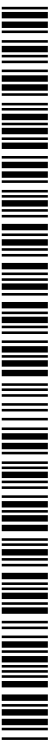
- with international search report (Art. 21(3))

(54) Title: DIFFRACTIVE OPTICAL ELEMENT USING CROSSED GRATING FOR PUPIL EXPANSION

FIG 3



(57) Abstract: In an optical display system that includes a waveguide (330) with multiple diffractive optical elements (310,340), an in-coupling diffractive optical element (340) couples light into the waveguide (330), an intermediate diffractive optical element provides exit pupil expansion in a first direction, and an out-coupling diffractive optical element (310) provides pupil expansion in a second direction and couples light out of the waveguide. The intermediate diffractive optical element is configured with a crossed grating which is a three-dimensional microstructure that is periodic in two directions. The crossed grating provides multiple optical paths to a given point in the diffractive optical element in which differences in optical path lengths are larger than the coherence length. The crossed grating in the intermediate diffractive optical element may provide increased display uniformity in the optical display system by reducing the "banding" resulting from optical interference that is manifested as dark stripes in the display. The crossed grating can further enable the optical display system to be more tolerant to manufacturing variations.



DIFFRACTIVE OPTICAL ELEMENT USING CROSSED GRATING FOR PUPIL EXPANSION

BACKGROUND

[0001] Diffractive optical elements (DOEs) are optical elements with a periodic structure that are commonly utilized in applications ranging from bio-technology, material processing, sensing, and testing to technical optics and optical metrology. By incorporating DOEs in an optical field of a laser or emissive display, for example, the light's "shape" can be controlled and changed flexibly according to application needs.

SUMMARY

[0002] In an optical display system that includes a waveguide with multiple diffractive optical elements (DOEs), an in-coupling DOE couples light into the waveguide, an intermediate DOE provides exit pupil expansion in a first direction, and an out-coupling DOE provides pupil expansion in a second direction and couples light out of the waveguide. The intermediate DOE is configured with a crossed grating which is a three-dimensional microstructure that is periodic in two directions. The crossed grating provides multiple optical paths to a given point in the DOE in which the differences in the optical path lengths are larger than the coherence length. The crossed grating in the intermediate DOE may provide increased display uniformity in the optical display system by reducing the "banding" resulting from optical interference that is manifested as dark stripes in the display. Banding may be more pronounced when polymeric materials are used in volume production of the DOEs to minimize system weight, as polymeric materials may have less optimal optical properties compared with other materials such as glass. The crossed grating can further enable the optical display system to be more tolerant to variations – such as variations in thickness, surface roughness, and grating geometry – that may not be readily controlled during manufacturing, particularly since such variations are in the submicron range.

[0003] This Summary is provided to introduce a selection of concepts in a simplified form that are further described below in the Detailed Description. This Summary is not intended to identify key features or essential features of the claimed subject matter, nor is it intended to be used as an aid in determining the scope of the claimed subject matter. Furthermore, the claimed subject matter is not limited to implementations that solve any or all disadvantages noted in any part of this disclosure.

DESCRIPTION OF THE DRAWINGS

- [0004] FIG 1 shows a block diagram of an illustrative near eye display system which may incorporate the diffractive optical elements (DOEs) with crossed gratings;
- [0005] FIG 2 shows propagation of light in a waveguide by total internal reflection;
- [0006] FIG 3 shows a view of an illustrative exit pupil expander;
- [0007] FIG 4 shows a view of the illustrative exit pupil expander in which the exit pupil is expanded along two directions;
- [0008] FIG 5 shows an illustrative arrangement of three DOEs;
- [0009] FIG 6 shows an enlarged view of an illustrative intermediate one-dimensional (1D) DOE that is periodic in one direction;
- [0010] FIG 7 shows an enlarged view of an illustrative two-dimensional (2D) DOE that is periodic in two directions;
- [0011] FIGs 8-11 show various illustrative 2D gratings;
- [0012] FIG 12 shows an illustrative arrangement for DOE fabrication using a mask that moves relative to a substrate;
- [0013] FIG 13 shows an illustrative method;
- [0014] FIG 14 is a pictorial view of an illustrative example of a virtual reality or mixed reality head mounted display (HMD) device;
- [0015] FIG 15 shows a block diagram of an illustrative example of a virtual reality or mixed reality HMD device; and
- [0016] FIG 16 shows a block diagram of an illustrative electronic device that incorporates an exit pupil expander.
- [0017] Like reference numerals indicate like elements in the drawings. Elements are not drawn to scale unless otherwise indicated.

DETAILED DESCRIPTION

[0018] FIG 1 shows a block diagram of an illustrative near eye display system 100 which may incorporate diffractive optical elements (DOEs) that use a crossed grating which is periodic in two directions. Near eye display systems are frequently used, for example, in head mounted display (HMD) devices in industrial, commercial, and consumer applications. Other devices and systems may also use DOEs with crossed gratings, as described below. The near eye display system 100 is intended as an example that is used to illustrate various features and aspects, and the present DOEs are not necessarily limited to near eye display systems.

[0019] System 100 may include an imager 105 that works with an optical system 110 to deliver images as a virtual display to a user's eye 115. The imager 105 may include, for example, RGB (red, green, blue) light emitting diodes (LEDs), LCOS (liquid crystal on silicon) devices, OLED (organic light emitting diode) arrays, MEMS (micro-electro mechanical system) devices, or any other suitable displays or micro-displays operating in transmission, reflection, or emission. The imager 105 may also include mirrors and other components that enable a virtual display to be composed and provide one or more input optical beams to the optical system. The optical system 110 can typically include magnifying optics 120, pupil forming optics 125, and one or more waveguides 130.

[0020] In a near eye display system the imager does not actually shine the images on a surface such as a glass lens to create the visual display for the user. This is not feasible because the human eye cannot focus on something that is that close. Indeed, rather than create a visible image on a surface, the near eye optical system 100 uses the pupil forming optics 125 to form a pupil and the eye 115 acts as the last element in the optical chain and converts the light from the pupil into an image on the eye's retina as a virtual display.

[0021] The waveguide 130 facilitates light transmission between the imager and the eye. One or more waveguides can be utilized in the near eye display system because they are transparent and because they are generally small and lightweight (which is desirable in applications such as HMD devices where size and weight is generally sought to be minimized for reasons of performance and user comfort). For example, the waveguide 130 can enable the imager 105 to be located out of the way, for example, on the side of the head, leaving only a relatively small, light, and transparent waveguide optical element in front of the eyes. In one implementation, the waveguide 130 operates using a principle of total internal reflection, as shown in FIG 2, so that light can be coupled among the various optical elements in the system 100.

[0022] FIG 3 shows a view of an illustrative exit pupil expander (EPE) 305. EPE 305 receives an input optical beam from the imager 105 through magnifying optics 120 to produce one or more output optical beams with expanded exit pupil in one or two dimensions relative to the exit pupil of the imager (in general, the input may include more than one optical beam which may be produced by separate sources). The expanded exit pupil typically facilitates a virtual display to be sufficiently sized to meet the various design requirements of a given optical system, such as image resolution, field of view, and the like, while enabling the imager and associated components to be relatively light and compact.

[0023] The EPE 305 is configured, in this illustrative example, to support binocular operation for both the left and right eyes. Components that may be utilized for stereoscopic operation such as scanning mirrors, lenses, filters, beam splitters, MEMS devices, or the like are not shown in FIG 3 for sake of clarity in exposition. The EPE 305 utilizes two out-coupling gratings, 310_L and 310_R that are supported on a waveguide 330 and a central in-coupling grating 340. The in-coupling and out-coupling gratings may be configured using multiple DOEs, as described in the illustrative example below. While the EPE 305 is depicted as having a planar configuration, other shapes may also be utilized including, for example, curved or partially spherical shapes, in which case the gratings disposed thereon are non-co-planar.

[0024] As shown in FIG 4, the EPE 305 may be configured to provide an expanded exit pupil in two directions (i.e., along each of a first and second coordinate axis). As shown, the exit pupil is expanded in both the vertical and horizontal directions. It may be understood that the terms “direction,” “horizontal,” and “vertical” are used primarily to establish relative orientations in the illustrative examples shown and described herein for ease of description. These terms may be intuitive for a usage scenario in which the user of the near eye display device is upright and forward facing, but less intuitive for other usage scenarios. The listed terms are not to be construed to limit the scope of the configurations (and usage scenarios therein) of DOEs with crossed gratings.

[0025] FIG 5 shows an illustrative arrangement of three DOEs that may be used as part of a waveguide to provide in-coupling and expansion of the exit pupil in two directions. Each DOE is an optical element comprising a periodic structure that can modulate various properties of light in a periodic pattern such as the direction of optical axis, optical path length, and the like. The first DOE, DOE 1 (indicated by reference numeral 505), is configured to couple the beam from the imager into the waveguide. The second DOE, DOE 2 (510), expands the exit pupil in a first direction along a first coordinate axis, and the third DOE, DOE 3 (515), expands the exit pupil in a second direction along a second coordinate axis and couples light out of the waveguide. The angle \square is a rotation angle between the periodic lines of DOE 2 and DOE 3 as shown. DOE 1 thus functions as an in-coupling grating and DOE 3 functions as an out-coupling grating while expanding the pupil in one direction. DOE 2 may be viewed as an intermediate grating that functions to couple light between the in-coupling and out-coupling gratings while performing exit pupil expansion in the other direction. Using such intermediate

grating may eliminate a need for conventional functionalities for exit pupil expansion in an EPE such as collimating lenses.

[0026] Some near eye display system applications, such as those using HMD devices for example, can benefit by minimization of weight and bulk. As a result, the DOEs and waveguides used in an EPE may be fabricated using lightweight polymers. Such polymeric components can support design goals for size, weight, and cost, and generally facilitate manufacturability, particularly in volume production settings. However, polymeric optical elements generally have lower optical resolution relative to heavier high quality glass. Such reduced optical resolution and the waveguide's configuration to be relatively thin for weight savings and packaging constraints within a device can result in optical interference that appears as a phenomenon referred to as "banding" in the display. The optical interference that results in banding arises from light propagating within the EPE that has several paths to the same location, in which the optical path lengths differ.

[0027] The banding is generally visible in the form of dark stripes which decrease optical uniformity of the display. Their location on the display may depend on small nanometer-scale variations in the optical elements including the DOEs in one or more of thickness, surface roughness, or grating geometry including grating line width, angle, fill factor, or the like. Such variation can be difficult to characterize and manage using tools that are generally available in manufacturing environments, and particularly for volume production. Conventional solutions to reduce banding include using thicker waveguides which can add weight and complicate package design for devices and systems. Other solutions use pupil expansion in the EPE in just one direction which can result in a narrow viewing angle and heightened sensitivity to natural eye variations among users.

[0028] FIG 6 shows light propagating in DOE 2 when configured as a 1D grating 605 that is periodic in one direction. As shown, light propagates from left to right in the waveguide and propagates downwards through refraction. As a result, light can loop around to any given point within DOE 2 over several paths in which the length of each path is essentially the same. However, since the differences in optical path lengths are smaller than the coherence length (i.e., a propagation distance over which the light may be considered coherent), even small differences in path length can result in strong interference in DOE 3 and reduces optical resolution, uniformity, and color balance in the optical display system. Use of a 1D grating for DOE 2 may also necessitate tight manufacturing tolerances to help reduce variability and achieve a target optical resolution.

Maintaining tight manufacturing tolerances can be expensive and problematic, particularly for volume production of DOEs in the optical display systems.

[0029] By comparison to the 1D DOE shown in FIG 6, FIG 7 shows light propagation in DOE 2 when configured as 2D grating 705 that is periodic in two directions. Such 2D gratings may be referred to as “crossed gratings” and the two directions may be, but are not necessarily perpendicular. In this illustrative example, light propagates both from left to right, and from right to left. As a result, light can arrive at a given point in DOE 2 by looping along both the left paths and right paths (it is noted that the paths are drawn using an offset for illustration purposes). Unlike the 1D grating, the optical path lengths in the 2D grating 705 are different for the left and right paths, and the differences in optical path lengths are larger than the coherence length. As a result, optical interference in DOE 3 with the 2D grating in DOE 2 is minimized and optical resolution, uniformity, and color balance is increased compared to the 1D grating configuration shown in FIG 6.

[0030] The 2D grating for DOE 2 may utilize a variety of structures that are periodic in two dimensions according to the needs of a particular implementation. For example, FIGs 8, 9, and 10 depict various illustrative 2D gratings as respectively indicated by reference numerals 805, 905, and 1005. The 2D gratings in the drawings are intended to be illustrative and not limiting, and it is contemplated that variations from the 2D gratings shown may also be utilized. Gratings may include symmetric and/or asymmetric features including slanted gratings (i.e., gratings having walls that are non-orthogonal according to one or more predetermined angles to a plane of the waveguide) and blazed gratings (i.e., gratings having asymmetric triangular or sawtooth profiles) in some cases. Various suitable surface relief contours, filling factors, grating periods, and grating dimensions can also be utilized according to needs of a particular implementation.

[0031] FIG 8 shows a 2D grating 805 that includes quadrangular elements that project from a substrate. The quadrangular elements can also be configured to be asymmetric such as being slanted or blazed. Non-quadrangular three-dimensional geometries (both symmetric and asymmetric) may also be utilized for a 2D grating including, for example, cylindrical elements, polygonal elements, elliptical elements, or the like. For example, FIG 9 shows a 2D grating 905 that includes pyramidal elements, and FIG 10 shows a 2D grating 1005 that includes elements that have a blazed profile in each of the x and z directions. Gratings may also have elements with curved profiles, as shown in the illustrative 2D grating 1105 in FIG 11.

[0032] FIG 12 shows an illustrative arrangement for DOE fabrication using a mask 1205 that moves relative to a photosensitive grating substrate 1210 within an enclosure 1215. A reactive ion etching plasma 1220 is used to adjust the thickness of the etching on the grating substrate at various positions by moving the substrate relative to the mask using, for example, a computer-controller stepper functionality or other suitable control system. In an illustrative example, the etching may be performed using a reactive ion beam etching (RIBE). However, other variations of ion beam etching may be utilized in various implementations including, for example, magnetron reactive ion etching (MRIE), high density plasma etching (HDP), transformer coupled plasma etching (TCP), inductively coupled plasma etching (ICP), and electron cyclotron resonance plasma etching (ECR).

[0033] Multi-beam interference holography may be used in some implementations to produce the two-direction periodic three-dimensional microstructures in a 2D grating in a DOE. In some manufacturing scenarios, multiple exposures may be utilized in which the substrate is rotated, for example by 90 degrees, between exposures.

[0034] FIG 13 is a flowchart of an illustrative method 1300. Unless specifically stated, the methods or steps shown in the flowchart and described in the accompanying text are not constrained to a particular order or sequence. In addition, some of the methods or steps thereof can occur or be performed concurrently and not all the methods or steps have to be performed in a given implementation depending on the requirements of such implementation and some methods or steps may be optionally utilized.

[0035] In step 1305, light is received at an in-coupling DOE. The in-coupling grating is disposed in an EPE and interfaces with the downstream intermediate DOE that is disposed in the EPE. In step 1310, the exit pupil of the received light is expanded along a first coordinate axis in the intermediate DOE. The intermediate DOE is configured with a 2D grating having periodicity in two directions that may include symmetric or asymmetric grating features. In step 1315, the exit pupil is expanded in an out-coupling DOE which outputs light with an expanded exit pupil relative to the received light at the in-coupling DOE along the first and second coordinate axes in step 1320. The intermediate DOE is configured to interface with a downstream out-coupling DOE. In some implementations, the out-coupling DOE may be apodized with shallow gratings that are configured to be either straight or slanted.

[0036] DOEs with crossed gratings may be incorporated into a display system that is utilized in a virtual or mixed reality display device. Such device may take any suitable

form, including but not limited to near-eye devices such as an HMD device. A see-through display may be used in some implementations while an opaque (i.e., non-see-through) display using a camera-based pass-through or outward facing sensor, for example, may be used in other implementations.

[0037] FIG 14 shows one particular illustrative example of a see-through, mixed reality or virtual reality display system 1400, and FIG 15 shows a functional block diagram of the system 1400. Display system 1400 comprises one or more lenses 1402 that form a part of a see-through display subsystem 1404, such that images may be displayed using lenses 1402 (e.g. using projection onto lenses 1402, one or more waveguide systems incorporated into the lenses 1402, and/or in any other suitable manner). Display system 1400 further comprises one or more outward-facing image sensors 1406 configured to acquire images of a background scene and/or physical environment being viewed by a user, and may include one or more microphones 1408 configured to detect sounds, such as voice commands from a user. Outward-facing image sensors 1406 may include one or more depth sensors and/or one or more two-dimensional image sensors. In alternative arrangements, as noted above, a mixed reality or virtual reality display system, instead of incorporating a see-through display subsystem, may display mixed reality or virtual reality images through a viewfinder mode for an outward-facing image sensor.

[0038] The display system 1400 may further include a gaze detection subsystem 1410 configured for detecting a direction of gaze of each eye of a user or a direction or location of focus, as described above. Gaze detection subsystem 1410 may be configured to determine gaze directions of each of a user's eyes in any suitable manner. For example, in the illustrative example shown, a gaze detection subsystem 1410 includes one or more glint sources 1412, such as infrared light sources, that are configured to cause a glint of light to reflect from each eyeball of a user, and one or more image sensors 1414, such as inward-facing sensors, that are configured to capture an image of each eyeball of the user. Changes in the glints from the user's eyeballs and/or a location of a user's pupil, as determined from image data gathered using the image sensor(s) 1414, may be used to determine a direction of gaze.

[0039] In addition, a location at which gaze lines projected from the user's eyes intersect the external display may be used to determine an object at which the user is gazing (e.g. a displayed virtual object and/or real background object). Gaze detection subsystem 1410 may have any suitable number and arrangement of light sources and image sensors. In some implementations, the gaze detection subsystem 1410 may be

omitted.

[0040] The display system 1400 may also include additional sensors. For example, display system 1400 may comprise a global positioning system (GPS) subsystem 1416 to allow a location of the display system 1400 to be determined. This may help to identify real world objects, such as buildings, etc. that may be located in the user's adjoining physical environment.

[0041] The display system 1400 may further include one or more motion sensors 1418 (e.g., inertial, multi-axis gyroscopic, or acceleration sensors) to detect movement and position/orientation/pose of a user's head when the user is wearing the system as part of a mixed reality or virtual reality HMD device. Motion data may be used, potentially along with eye-tracking glint data and outward-facing image data, for gaze detection, as well as for image stabilization to help correct for blur in images from the outward-facing image sensor(s) 1406. The use of motion data may allow changes in gaze location to be tracked even if image data from outward-facing image sensor(s) 1406 cannot be resolved.

[0042] In addition, motion sensors 1418, as well as microphone(s) 1408 and gaze detection subsystem 1410, also may be employed as user input devices, such that a user may interact with the display system 1400 via gestures of the eye, neck and/or head, as well as via verbal commands in some cases. It may be understood that sensors illustrated in FIGs 14 and 15 and described in the accompanying text are included for the purpose of example and are not intended to be limiting in any manner, as any other suitable sensors and/or combination of sensors may be utilized to meet the needs of a particular implementation. For example, biometric sensors (e.g., for detecting heart and respiration rates, blood pressure, brain activity, body temperature, etc.) or environmental sensors (e.g., for detecting temperature, humidity, elevation, UV (ultraviolet) light levels, etc.) may be utilized in some implementations.

[0043] The display system 1400 can further include a controller 1420 having a logic subsystem 1422 and a data storage subsystem 1424 in communication with the sensors, gaze detection subsystem 1410, display subsystem 1404, and/or other components through a communications subsystem 1426. The communications subsystem 1426 can also facilitate the display system being operated in conjunction with remotely located resources, such as processing, storage, power, data, and services. That is, in some implementations, an HMD device can be operated as part of a system that can distribute resources and capabilities among different components and subsystems.

[0044] The storage subsystem 1424 may include instructions stored thereon that are

executable by logic subsystem 1422, for example, to receive and interpret inputs from the sensors, to identify location and movements of a user, to identify real objects using surface reconstruction and other techniques, and dim/fade the display based on distance to objects so as to enable the objects to be seen by the user, among other tasks.

[0045] The display system 1400 is configured with one or more audio transducers 1428 (e.g., speakers, earphones, etc.) so that audio can be utilized as part of a mixed reality or virtual reality experience. A power management subsystem 1430 may include one or more batteries 1432 and/or protection circuit modules (PCMs) and an associated charger interface 1434 and/or remote power interface for supplying power to components in the display system 1400.

[0046] It may be appreciated that the display system 1400 is described for the purpose of example, and thus is not meant to be limiting. It is to be further understood that the display device may include additional and/or alternative sensors, cameras, microphones, input devices, output devices, etc. than those shown without departing from the scope of the present arrangement. Additionally, the physical configuration of a display device and its various sensors and subcomponents may take a variety of different forms without departing from the scope of the present arrangement.

[0047] As shown in FIG 16, an EPE incorporating one or more DOEs with crossed gratings can be used in a mobile or portable electronic device 1600, such as a mobile phone, smartphone, personal digital assistant (PDA), communicator, portable Internet appliance, hand-held computer, digital video or still camera, wearable computer, computer game device, specialized bring-to-the-eye product for viewing, or other portable electronic device. As shown, the portable device 1600 includes a housing 1605 to house a communication module 1610 for receiving and transmitting information from and to an external device, or a remote system or service (not shown).

[0048] The portable device 1600 may also include an image processing module 1615 for handling the received and transmitted information, and a virtual display system 1620 to support viewing of images. The virtual display system 1620 can include a micro-display or an imager 1625 and an optical engine 1630. The image processing module 1615 may be operatively connected to the optical engine 1630 to provide image data, such as video data, to the imager 1625 to display an image thereon. An EPE 1635 using one or more DOEs with crossed gratings can be optically linked to an optical engine 1630.

[0049] An EPE using one or more DOEs with crossed gratings may also be utilized in non-portable devices, such as gaming devices, multimedia consoles, personal computers,

vending machines, smart appliances, Internet-connected devices, and home appliances, such as an oven, microwave oven, and other appliances, and other non-portable devices.

[0050] Various exemplary embodiments of the present diffractive optical element using crossed grating for pupil expansion are now presented by way of illustration and not as an exhaustive list of all embodiments. An example includes an optical system, comprising: a substrate of optical material; a first diffractive optical element (DOE) disposed on the substrate, the first DOE having an input surface and configured as an in-coupling grating to receive one or more optical beams as an input; and a second DOE disposed on the substrate and configured for pupil expansion of the one or more optical beams along a first direction, wherein at least a portion of the second DOE is configured with a crossed grating that is periodic in two directions.

[0051] In another example, the crossed grating includes one of symmetric or asymmetric features. In another example, the asymmetric features include one of slanted gratings or blazed gratings. In another example, the optical system further includes a third DOE disposed on the substrate, the third DOE having an output surface and configured for pupil expansion of the one or more optical beams along a second direction, and further configured as an out-coupling grating to couple, as an output from the output surface, one or more optical beams with expanded pupil relative to the input. In another example, differences among optical path lengths in the second DOE exceed a coherence length so as to improve display uniformity in the third DOE.

[0052] A further example includes an electronic device, comprising: a data processing unit; an optical engine operatively connected to the data processing unit for receiving image data from the data processing unit; an imager operatively connected to the optical engine to form images based on the image data and to generate one or more input optical beams incorporating the images; and an exit pupil expander, responsive to the one or more input optical beams, comprising a structure on which multiple diffractive optical elements (DOEs) are disposed, in which the exit pupil expander is configured to provide one or more output optical beams, using one or more of the DOEs, as a near eye virtual display with an expanded exit pupil, and wherein at least one of the DOEs has a portion configured as a crossed grating with a plurality of grating elements that are periodically arranged along first and second directions that are different from each other.

[0053] In another example, the portion of the DOE supports multiple optical paths to a given point within the portion of DOE wherein the differences in the multiple optical path lengths exceed a coherence length of an input optical beam. In another example, the exit

pupil expander provides pupil expansion in two directions. In another example, the imager includes one of light emitting diode, liquid crystal on silicon device, organic light emitting diode array, or micro-electro mechanical system device. In another example, the imager comprises a micro-display operating in one of transmission, reflection, or emission. In another example, the electronic device is implemented in a head mounted display device or portable electronic device. In another example, each of the one or more input optical beams is produced by a corresponding one or more sources. In another example, the structure is curved or partially spherical. In another example, two or more of the DOEs are non-co-planar.

[0054] A further examples includes a method, comprising: receiving light at an in-coupling diffractive optical element (DOE) disposed in an exit pupil expander; expanding an exit pupil of the received light along a first coordinate axis in an intermediate DOE disposed in the exit pupil expander; expanding the exit pupil along a second coordinate axis in an out-coupling DOE disposed in the exit pupil expander; and outputting light with an expanded exit pupil relative to the received light at the in-coupling DOE along the first and second coordinate axes using the out-coupling DOE, in which the intermediate DOE includes gratings configured to provide a periodic contoured surface having a first periodicity along a first direction and a second periodicity along a second direction.

[0055] In another example, the periodic contoured surface comprises one of quadrangular elements, cylindrical elements, polygonal elements, elliptical elements, pyramidal elements, curved elements, or combinations thereof. In another example, the in-coupling DOE, the intermediate DOE, or the out-coupling DOE is formed with a polymer that is molded from a substrate that is etched using ion beam etching in which the substrate is moveable relative to an ion beam source. In another example, at least a portion of the out-coupling DOE is an apodized diffraction grating having shallow grooves relative to the in-coupling DOE or the intermediate DOE. In another example, the method is performed in a near eye display system. In another example, the output light provides a virtual display to a user of the near eye display system.

[0056] Although the subject matter has been described in language specific to structural features and/or methodological acts, it is to be understood that the subject matter defined in the appended claims is not necessarily limited to the specific features or acts described above. Rather, the specific features and acts described above are disclosed as example forms of implementing the claims.

CLAIMS

1. An optical system, comprising:
 - a substrate of optical material;
 - a first diffractive optical element (DOE) disposed on the substrate, the first DOE having an input surface and configured as an in-coupling grating to receive one or more optical beams as an input; and
 - a second DOE disposed on the substrate and configured for pupil expansion of the one or more optical beams along a first direction,
 - wherein at least a portion of the second DOE is configured with a crossed grating that is periodic in two directions.
2. The optical system of claim 1 in which the crossed grating includes one of symmetric or asymmetric features.
3. The optical system of claim 2 in which the asymmetric features include one of slanted gratings or blazed gratings.
4. The optical system of claim 1 further including a third DOE disposed on the substrate, the third DOE having an output surface and configured for pupil expansion of the one or more optical beams along a second direction, and further configured as an out-coupling grating to couple, as an output from the output surface, one or more optical beams with expanded pupil relative to the input.
5. The optical system of claim 4 in which differences among optical path lengths in the second DOE exceed a coherence length so as to improve display uniformity in the third DOE.
6. An electronic device, comprising:
 - a data processing unit;
 - an optical engine operatively connected to the data processing unit for receiving image data from the data processing unit;
 - an imager operatively connected to the optical engine to form images based on the image data and to generate one or more input optical beams incorporating the images; and
 - an exit pupil expander, responsive to the one or more input optical beams, comprising a structure on which multiple diffractive optical elements (DOEs) are disposed,
 - in which the exit pupil expander is configured to provide one or more output optical beams, using one or more of the DOEs, as a near eye virtual

display with an expanded exit pupil, and

wherein at least one of the DOEs has a portion configured as a crossed grating with a plurality of grating elements that are periodically arranged along first and second directions that are different from each other.

7. The electronic device of claim 6 in which the portion of the DOE supports multiple optical paths to a given point within the portion of DOE wherein the differences in the multiple optical path lengths exceed a coherence length of an input optical beam.
8. The electronic device of claim 6 in which the exit pupil expander provides pupil expansion in two directions.
9. The electronic device of claim 6 in which the imager includes one of light emitting diode, liquid crystal on silicon device, organic light emitting diode array, or micro-electro mechanical system device.
10. The electronic device of claim 6 in which the imager comprises a micro-display operating in one of transmission, reflection, or emission.
11. The electronic device of claim 6 as implemented in a head mounted display device or portable electronic device.
12. The electronic device of claim 6 in which each of the one or more input optical beams is produced by a corresponding one or more sources.
13. The electronic device of claim 6 in which the structure is curved or partially spherical.
14. The electronic device of claim 6 in which two or more of the DOEs are non-co-planar.

FIG 1

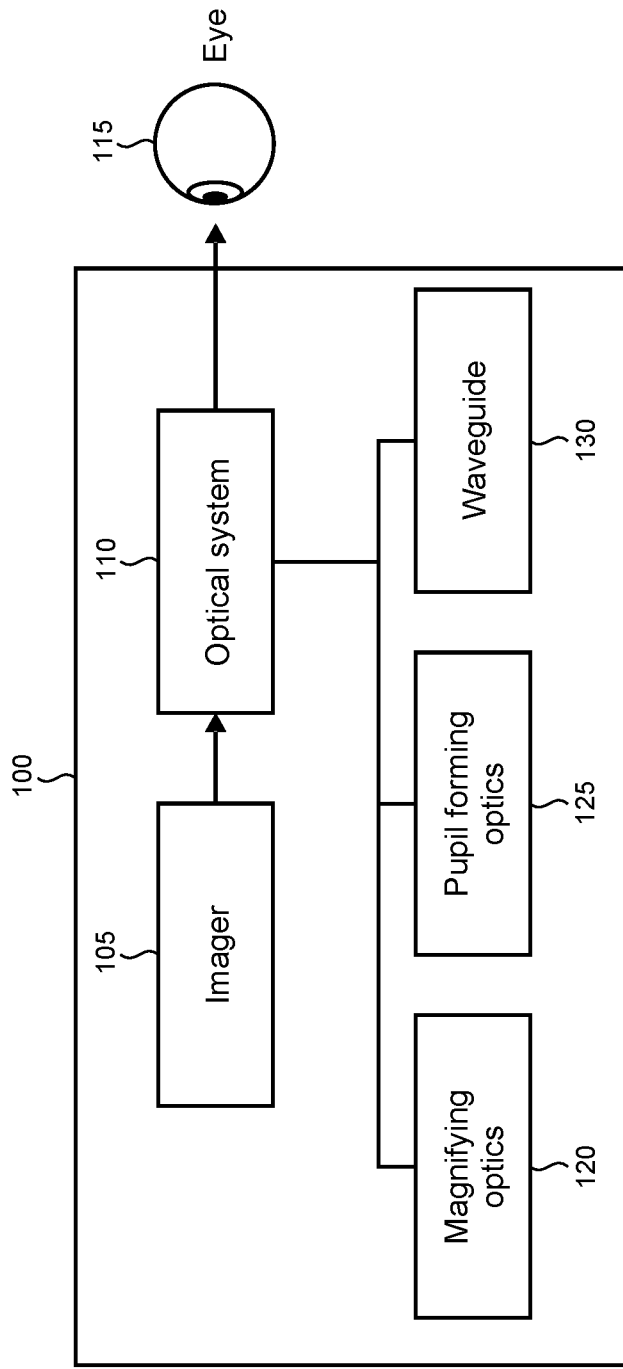


FIG 2

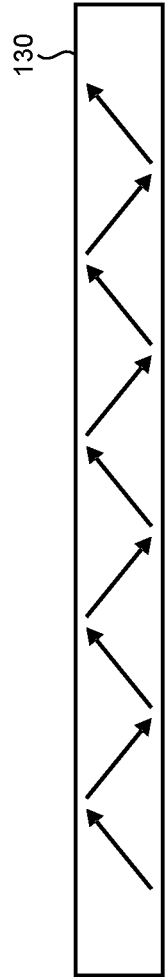
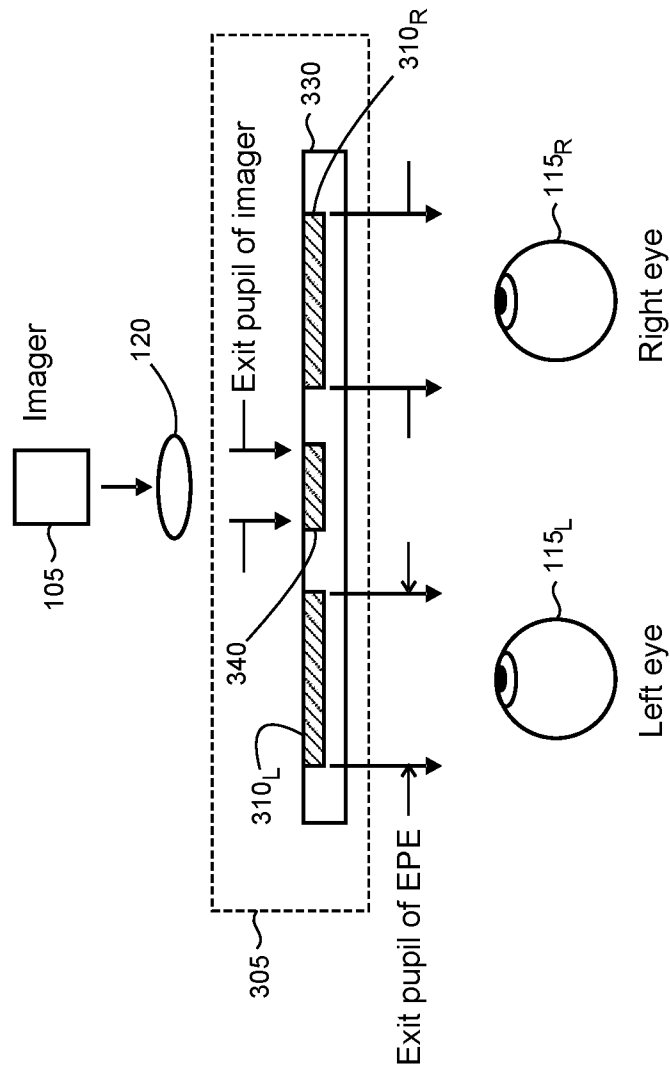


FIG 3



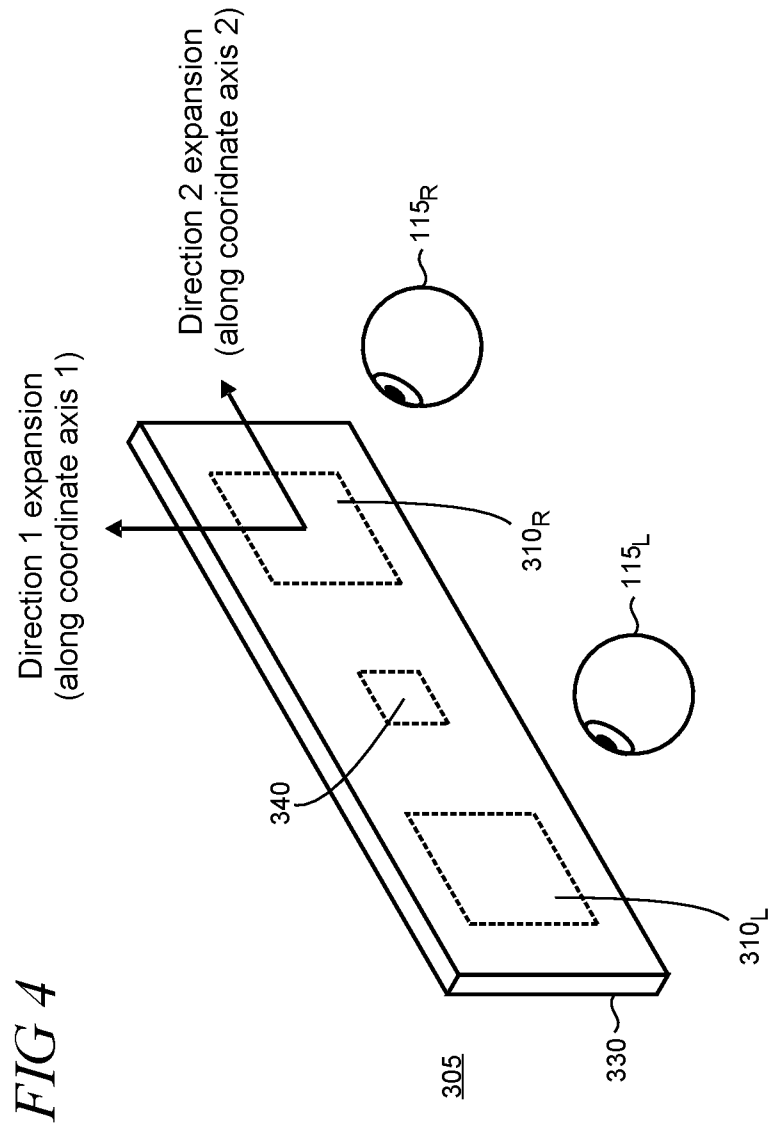


FIG 5

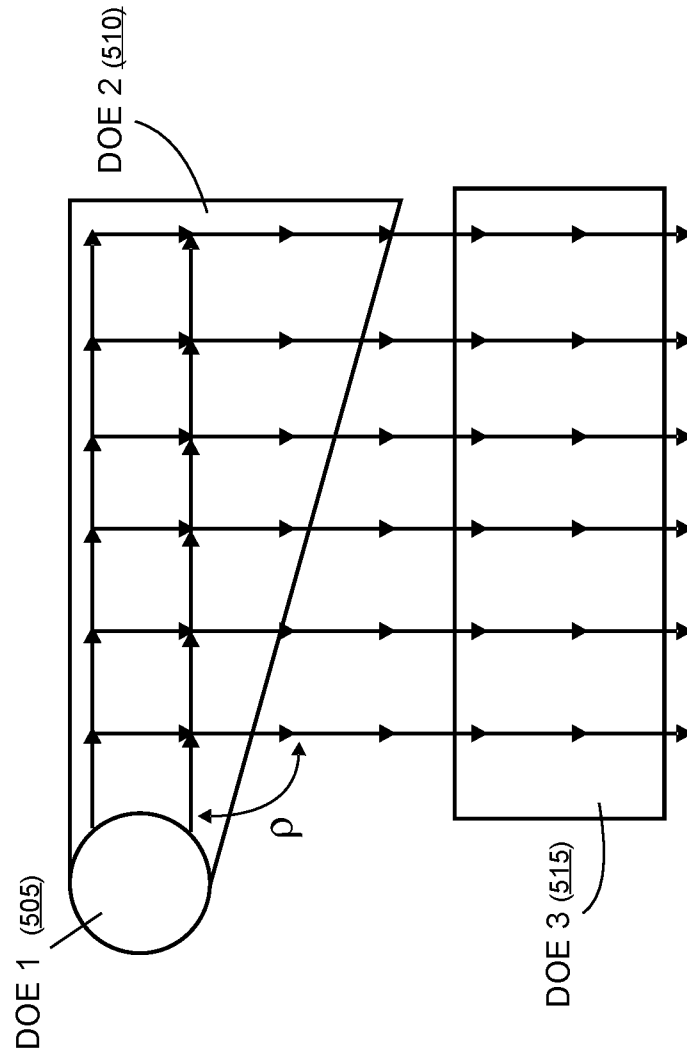


FIG 6

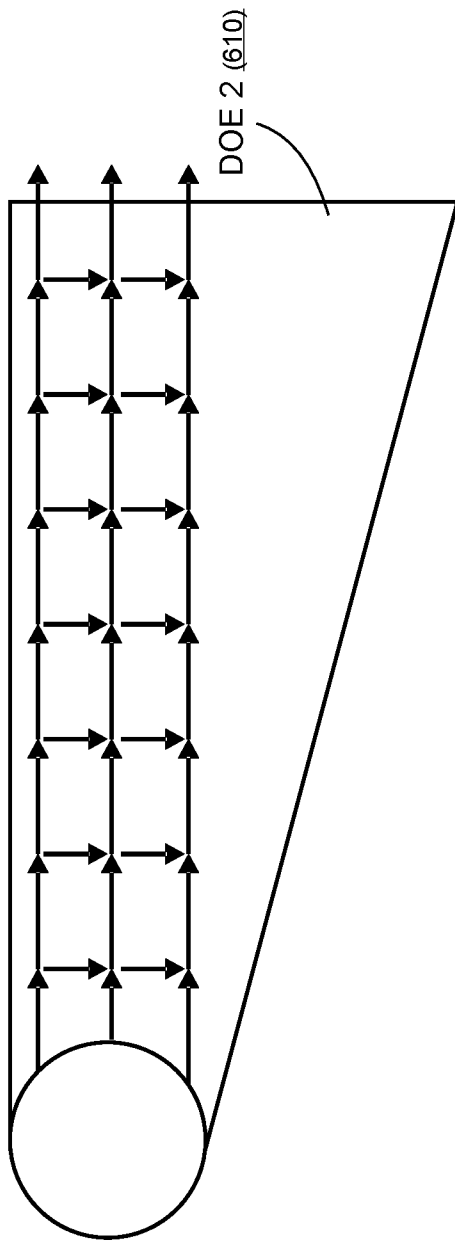


FIG 7

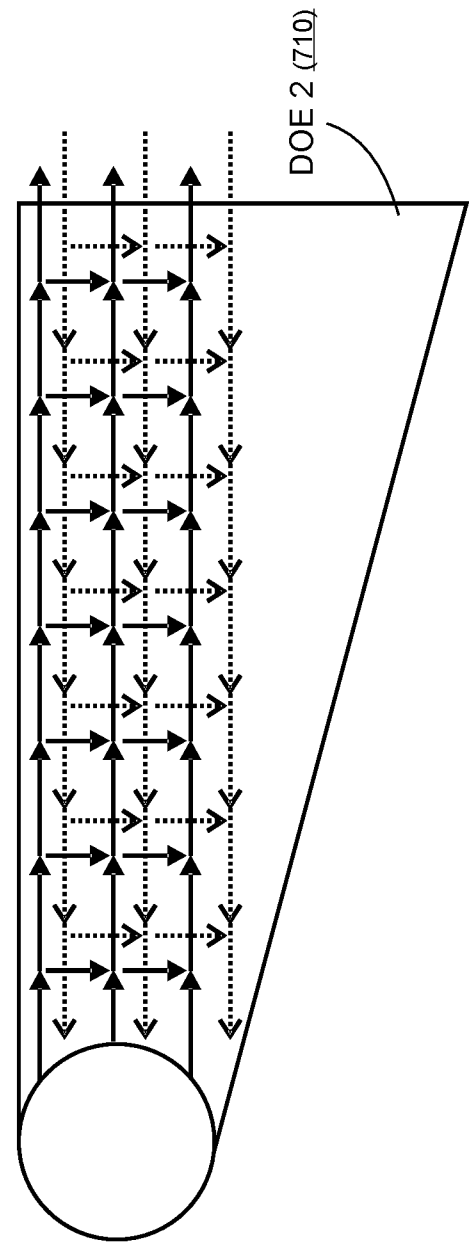


FIG 9

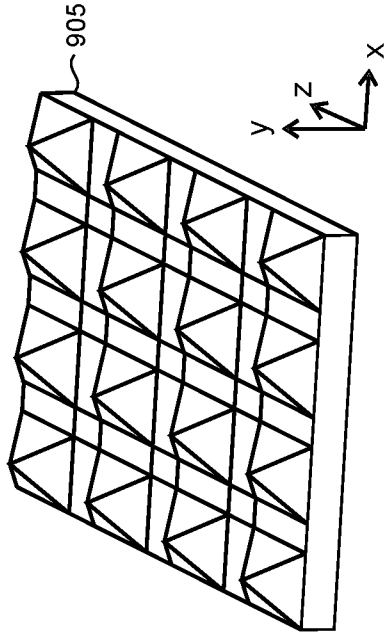


FIG 11

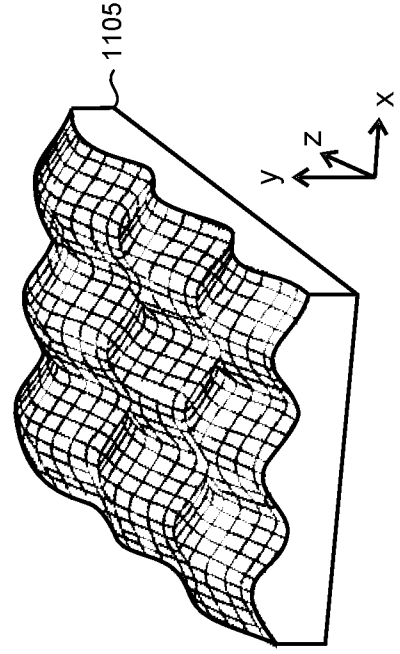


FIG 8

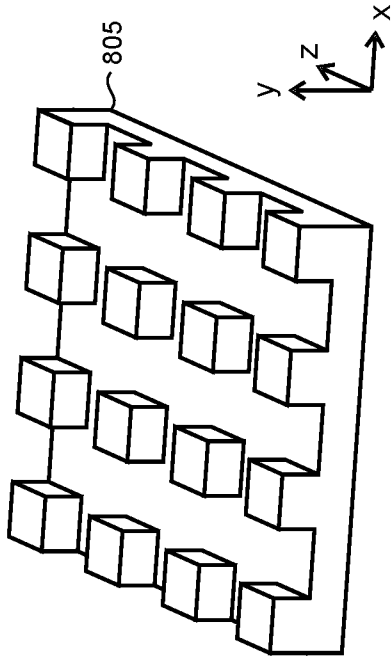
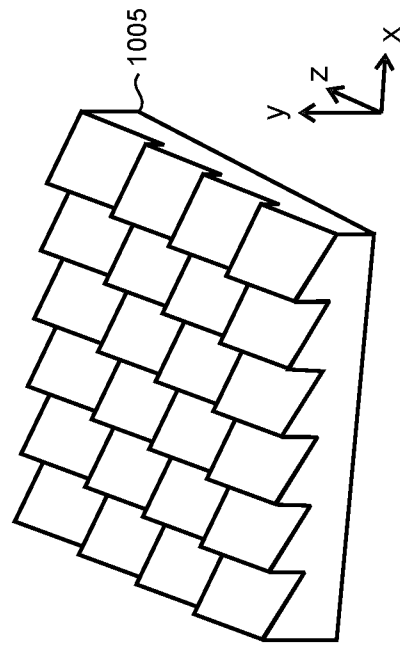


FIG 10



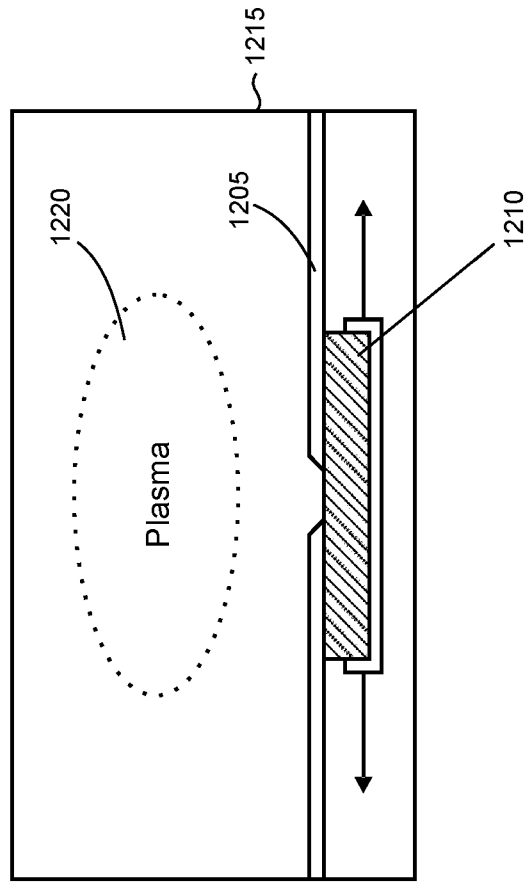


FIG 12

FIG 13

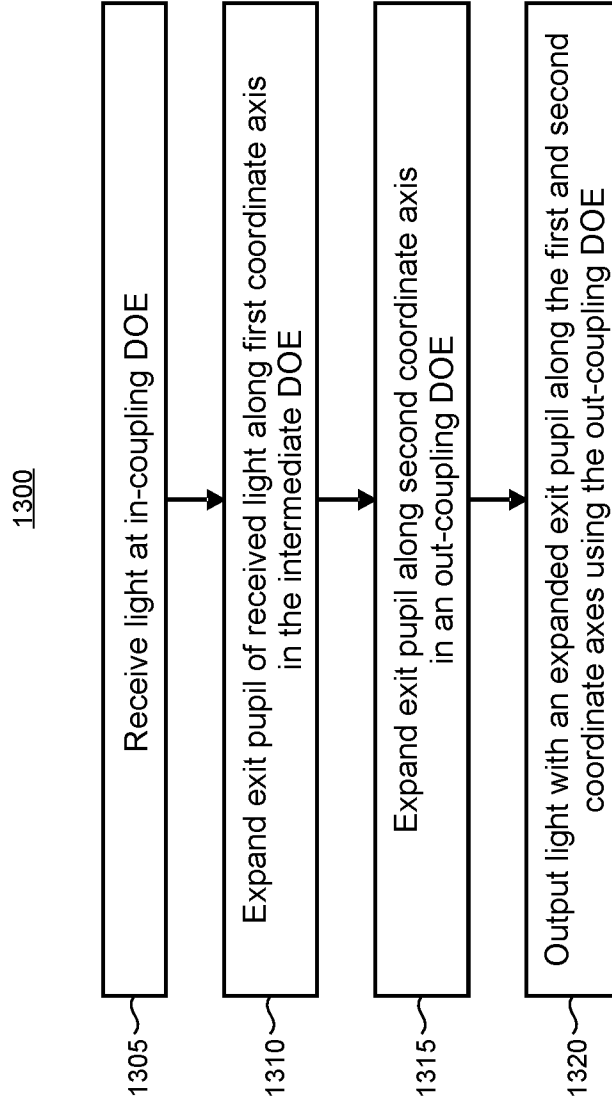


FIG 14

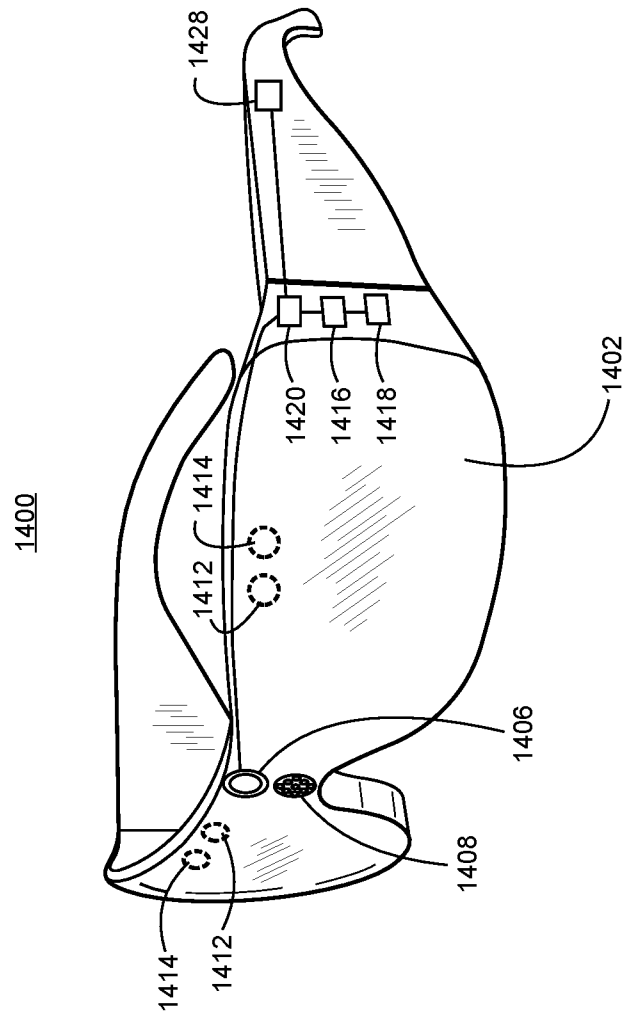


FIG 15

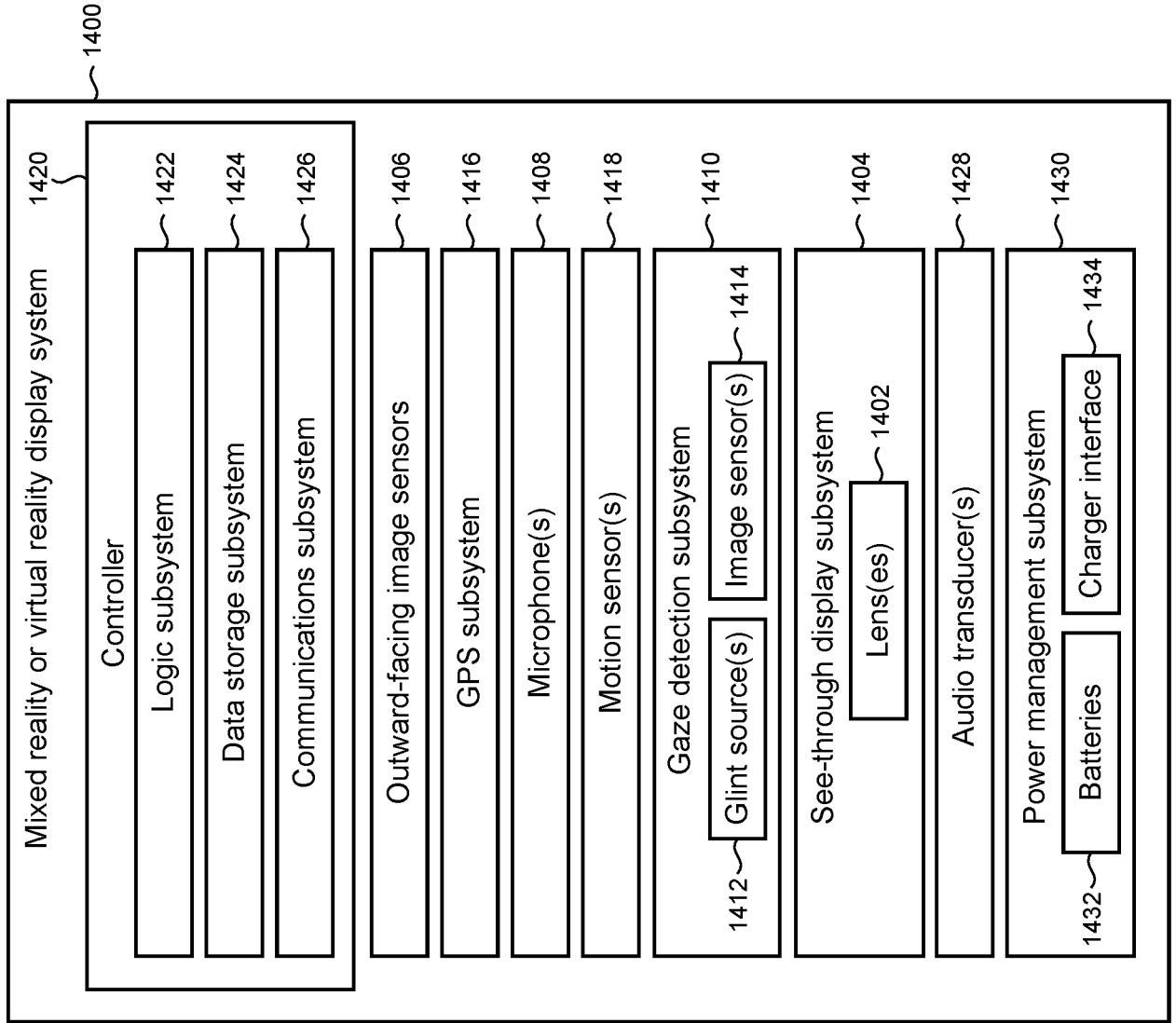
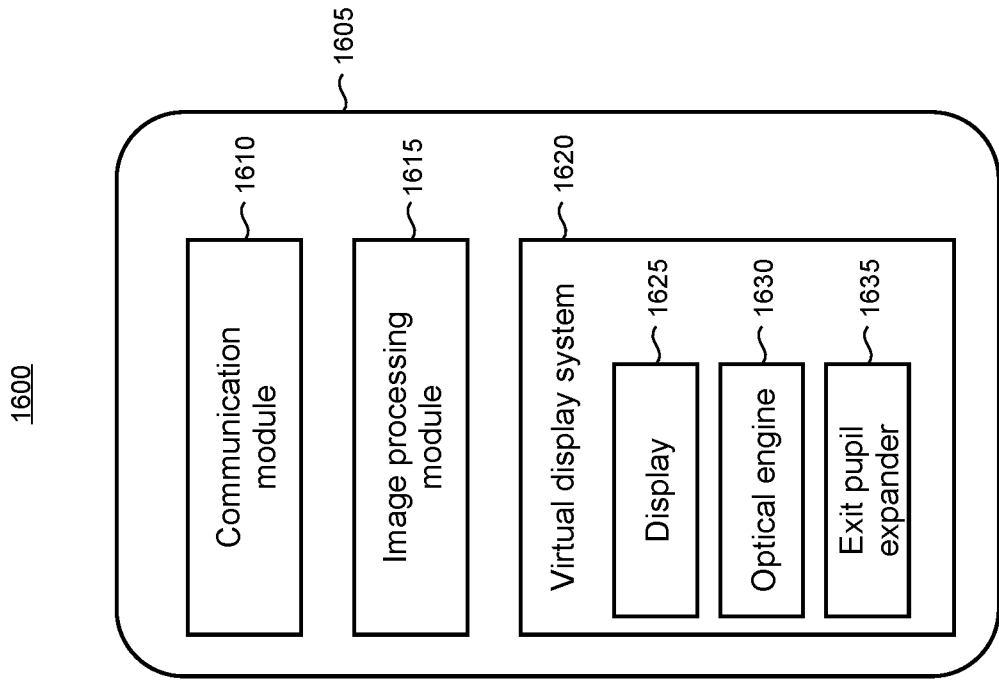


FIG 16



INTERNATIONAL SEARCH REPORT

International application No
PCT/US2016/039705

A. CLASSIFICATION OF SUBJECT MATTER
INV. G02B27/00 G02B27/42 G02B27/01
ADD.
According to International Patent Classification (IPC) or to both national classification and IPC

B. FIELDS SEARCHED
Minimum documentation searched (classification system followed by classification symbols)
G02B
Documentation searched other than minimum documentation to the extent that such documents are included in the fields searched

Electronic data base consulted during the international search (name of data base and, where practicable, search terms used)
EPO-Internal, WPI Data

C. DOCUMENTS CONSIDERED TO BE RELEVANT		
Category*	Citation of document, with indication, where appropriate, of the relevant passages	Relevant to claim No.
X	WO 2008/081070 A1 (NOKIA CORP [FI]; LEVOLA TAPANI [FI]; SAARIKKO PASI [FI]) 10 July 2008 (2008-07-10)	1-4,6, 8-14
A	the whole document	5,7
A	US 2010/231693 A1 (LEVOLA TAPANI [FI]) 16 September 2010 (2010-09-16)	1-14
A	US 2010/296163 A1 (SAARIKKO PASI [FI]) 25 November 2010 (2010-11-25)	1-14
A	US 2010/315719 A1 (SAARIKKO PASI [FI] ET AL) 16 December 2010 (2010-12-16)	1-14

Further documents are listed in the continuation of Box C.

See patent family annex.

* Special categories of cited documents :

- "A" document defining the general state of the art which is not considered to be of particular relevance
- "E" earlier application or patent but published on or after the international filing date
- "L" document which may throw doubts on priority claim(s) or which is cited to establish the publication date of another citation or other special reason (as specified)
- "O" document referring to an oral disclosure, use, exhibition or other means
- "P" document published prior to the international filing date but later than the priority date claimed

- "T" later document published after the international filing date or priority date and not in conflict with the application but cited to understand the principle or theory underlying the invention
- "X" document of particular relevance; the claimed invention cannot be considered novel or cannot be considered to involve an inventive step when the document is taken alone
- "Y" document of particular relevance; the claimed invention cannot be considered to involve an inventive step when the document is combined with one or more other such documents, such combination being obvious to a person skilled in the art
- "&" document member of the same patent family

Date of the actual completion of the international search 6 September 2016	Date of mailing of the international search report 15/09/2016
--	---

Name and mailing address of the ISA/ European Patent Office, P.B. 5818 Patentlaan 2 NL - 2280 HV Rijswijk Tel. (+31-70) 340-2040, Fax: (+31-70) 340-3016	Authorized officer Andreassen, Jon
--	--

INTERNATIONAL SEARCH REPORT

Information on patent family members

International application No PCT/US2016/039705

Patent document cited in search report	A1	Publication date		Patent family member(s)	Publication date
WO 2008081070	A1	10-07-2008	CN	101589326 A	25-11-2009
			US	2010321781 A1	23-12-2010
			WO	2008081070 A1	10-07-2008

US 2010231693	A1	16-09-2010	CN	101460883 A	17-06-2009
			EP	2033040 A1	11-03-2009
			US	2010231693 A1	16-09-2010
			WO	2007141589 A1	13-12-2007

US 2010296163	A1	25-11-2010	EP	2225592 A1	08-09-2010
			US	2010296163 A1	25-11-2010
			WO	2009077802 A1	25-06-2009

US 2010315719	A1	16-12-2010	EP	2229603 A1	22-09-2010
			KR	20100092059 A	19-08-2010
			US	2010315719 A1	16-12-2010
			WO	2009077803 A1	25-06-2009
