



(86) Date de dépôt PCT/PCT Filing Date: 2008/11/11  
 (87) Date publication PCT/PCT Publication Date: 2009/06/25  
 (85) Entrée phase nationale/National Entry: 2010/06/08  
 (86) N° demande PCT/PCT Application No.: US 2008/083125  
 (87) N° publication PCT/PCT Publication No.: 2009/079118  
 (30) Priorité/Priority: 2007/12/18 (US11/959,344)

(51) Cl.Int./Int.Cl. *A61B 17/58* (2006.01),  
*A61B 17/60* (2006.01), *A61F 2/00* (2006.01)  
 (71) Demandeur/Applicant:  
OTISMED CORPORATION, US  
 (72) Inventeurs/Inventors:  
PARK, ILWHAN, US;  
HOWELL, STEPHEN M., US  
 (74) Agent: SMART & BIGGAR

(54) Titre : SYSTEME ET PROCEDE POUR FABRIQUER DES GABARITS D'ARTHROPLASTIE  
 (54) Title: SYSTEM AND METHOD FOR MANUFACTURING ARTHROPLASTY JIGS

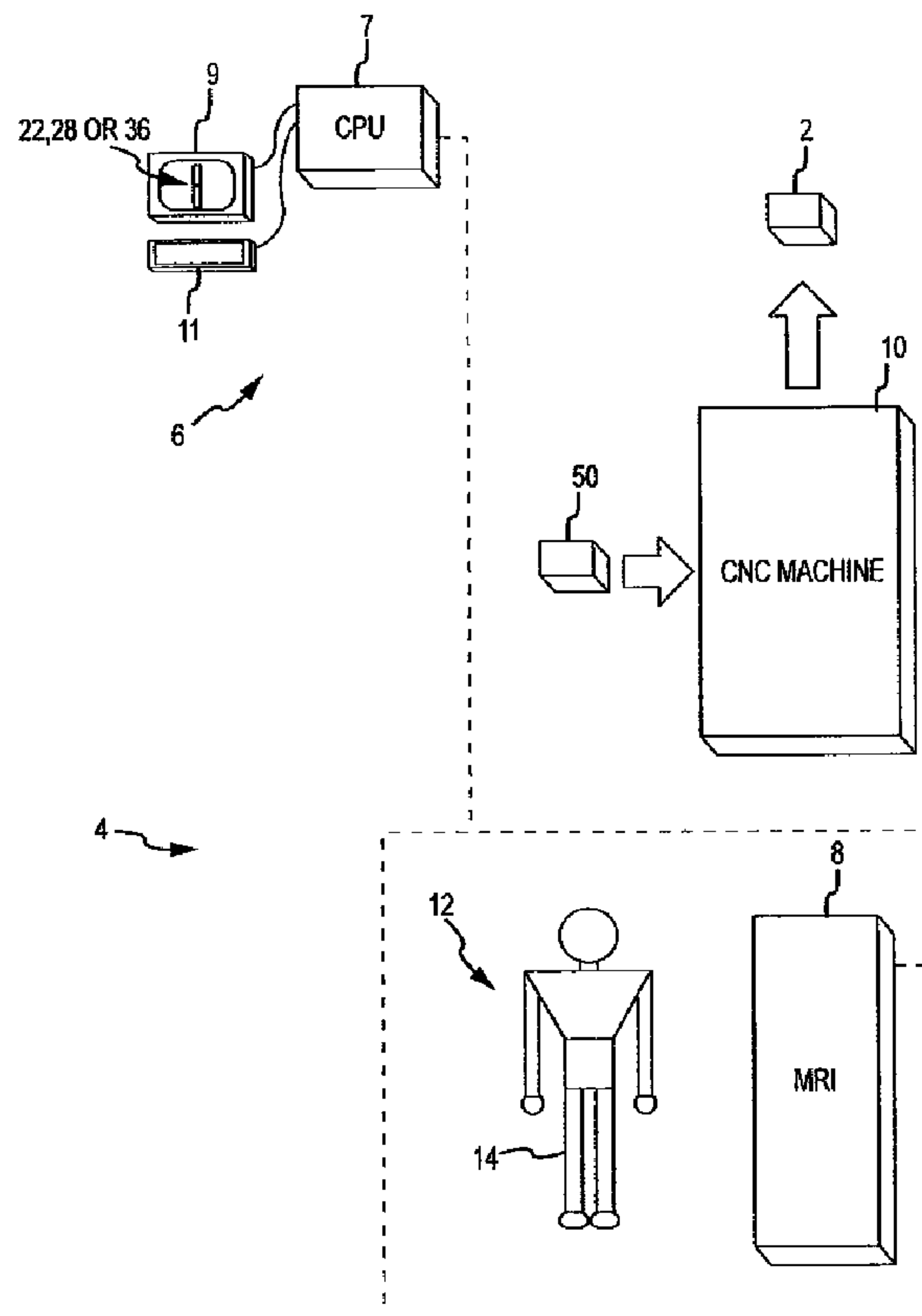


FIG. 1A

(57) Abrégé/Abstract:

Disclosed herein is a method of computer generating a three-dimensional surface model of an arthroplasty target region of a bone forming a joint. The method may include: generating two-dimensional images of at least a portion of the bone; generating an open-

(57) **Abrégé(suite)/Abstract(continued):**

loop contour line along the arthroplasty target region in at least some of the two-dimensional images; and generating the three-dimensional model of the arthroplasty target region from the open-loop contour lines.

(12) INTERNATIONAL APPLICATION PUBLISHED UNDER THE PATENT COOPERATION TREATY (PCT)

(19) World Intellectual Property Organization  
International Bureau(43) International Publication Date  
25 June 2009 (25.06.2009)

PCT

(10) International Publication Number  
**WO 2009/079118 A1**

## (51) International Patent Classification:

A61B 17/58 (2006.01) A61F 2/00 (2006.01)  
A61B 17/60 (2006.01)

## (21) International Application Number:

PCT/US2008/083125

## (22) International Filing Date:

11 November 2008 (11.11.2008)

## (25) Filing Language:

English

## (26) Publication Language:

English

## (30) Priority Data:

11/959,344 18 December 2007 (18.12.2007) US

(71) Applicant (for all designated States except US):  
**OTISMED CORPORATION** [US/US]; 26250 Eden  
Landing Road, Hayward, CA 94545 (US).

## (72) Inventors; and

(75) Inventors/Applicants (for US only): **PARK, Ilwhan**  
[US/US]; 1743 Holland Circle, Walnut Creek, CA 94597  
(US). **HOWELL, Stephen, M.** [US/US]; 4834 Roselin  
Way, Elk Grove, CA 95758 (US).(74) Agents: **JOHNSON, S., Wade et al.**; 370 Seventeenth  
Street, Suite 4700, Denver, Colorado 80202 (US).(81) Designated States (unless otherwise indicated, for every  
kind of national protection available): AE, AG, AL, AM,  
AO, AT, AU, AZ, BA, BB, BG, BH, BR, BW, BY, BZ, CA,  
CH, CN, CO, CR, CU, CZ, DE, DK, DM, DO, DZ, EC, EE,  
EG, ES, FI, GB, GD, GE, GH, GM, GT, HN, HR, HU, ID,  
IL, IN, IS, JP, KE, KG, KM, KN, KP, KR, KZ, LA, LC, LK,  
LR, LS, LT, LU, LY, MA, MD, ME, MG, MK, MN, MW,  
MX, MY, MZ, NA, NG, NI, NO, NZ, OM, PG, PH, PL, PT,  
RO, RS, RU, SC, SD, SE, SG, SK, SL, SM, ST, SV, SY, TJ,  
TM, TN, TR, TT, TZ, UA, UG, US, UZ, VC, VN, ZA, ZM,  
ZW.(84) Designated States (unless otherwise indicated, for every  
kind of regional protection available): ARIPO (BW, GH,  
GM, KE, LS, MW, MZ, NA, SD, SL, SZ, TZ, UG, ZM,  
ZW), Eurasian (AM, AZ, BY, KG, KZ, MD, RU, TJ, TM),  
European (AT, BE, BG, CH, CY, CZ, DE, DK, EE, ES, FI,  
FR, GB, GR, HR, HU, IE, IS, IT, LT, LU, LV, MC, MT, NL,

[Continued on next page]

## (54) Title: SYSTEM AND METHOD FOR MANUFACTURING ARTHROPLASTY JIGS

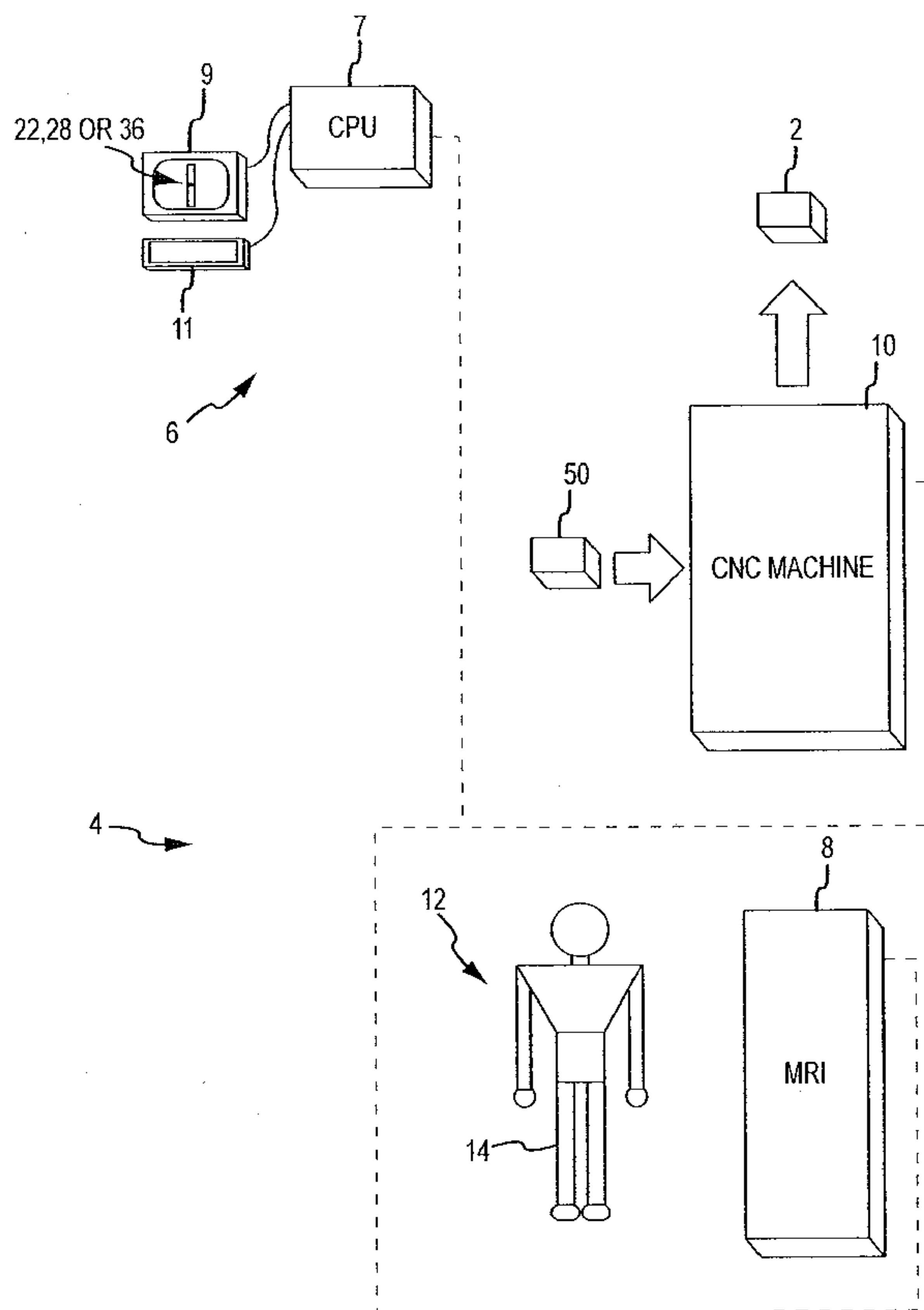


FIG. 1A

(57) Abstract: Disclosed herein is a method of computer  
generating a three-dimensional surface model of an  
arthroplasty target region of a bone forming a joint. The  
method may include: generating two-dimensional images  
of at least a portion of the bone; generating an open-loop  
contour line along the arthroplasty target region in at least  
some of the two-dimensional images; and generating the  
three-dimensional model of the arthroplasty target region  
from the open-loop contour lines.

**WO 2009/079118 A1**



NO, PL, PT, RO, SE, SI, SK, TR), OAPI (BF, BJ, CF, CG, CI, CM, GA, GN, GQ, GW, ML, MR, NE, SN, TD, TG).

**Published:**

— *with international search report*

**Declarations under Rule 4.17:**

- *as to the identity of the inventor (Rule 4.17(i))*
- *as to applicant's entitlement to apply for and be granted a patent (Rule 4.17(ii))*
- *as to the applicant's entitlement to claim the priority of the earlier application (Rule 4.17(iii))*

## SYSTEM AND METHOD FOR MANUFACTURING ARTHROPLASTY JIGS

## CROSS REFERENCE TO RELATED APPLICATIONS

This Patent Cooperation Treaty application claims priority to United States non-provisional application No. 11/959,344, filed December 18, 2007, and entitled "System and  
5 Method for Manufacturing Arthroplasty Jigs", the contents of which are incorporated herein in their entirety by reference.

## FIELD OF THE INVENTION

The present invention relates to systems and methods for manufacturing customized arthroplasty cutting jigs. More specifically, the present invention relates to automated  
10 systems and methods manufacturing such jigs.

## BACKGROUND OF THE INVENTION

Over time and through repeated use, bones and joints can become damaged or worn. For example, repetitive strain on bones and joints (e.g., through athletic activity), traumatic events, and certain diseases (e.g., arthritis) can cause cartilage in joint areas,  
15 which normally provides a cushioning effect, to wear down. When the cartilage wears down, fluid can accumulate in the joint areas, resulting in pain, stiffness, and decreased mobility.

Arthroplasty procedures can be used to repair damaged joints. During a typical arthroplasty procedure, an arthritic or otherwise dysfunctional joint can be remodeled or realigned, or an implant can be implanted into the damaged region. Arthroplasty procedures  
20 may take place in any of a number of different regions of the body, such as a knee, a hip, a shoulder, or an elbow.

One type of arthroplasty procedure is a total knee arthroplasty ("TKA"), in which a damaged knee joint is replaced with prosthetic implants. The knee joint may have been damaged by, for example, arthritis (e.g., severe osteoarthritis or degenerative arthritis),  
25 trauma, or a rare destructive joint disease. During a TKA procedure, a damaged portion in the distal region of the femur may be removed and replaced with a metal shell, and a damaged portion in the proximal region of the tibia may be removed and replaced with a channeled piece of plastic having a metal stem. In some TKA procedures, a plastic button may also be added under the surface of the patella, depending on the condition of the  
30 patella.

Implants that are implanted into a damaged region may provide support and structure to the damaged region, and may help to restore the damaged region, thereby enhancing its functionality. Prior to implantation of an implant in a damaged region, the damaged region may be prepared to receive the implant. For example, in a knee arthroplasty procedure, one  
35 or more of the bones in the knee area, such as the femur and/or the tibia, may be treated

(e.g., cut, drilled, reamed, and/or resurfaced) to provide one or more surfaces that can align with the implant and thereby accommodate the implant.

Accuracy in implant alignment is an important factor to the success of a TKA procedure. A one- to two-millimeter translational misalignment, or a one- to two-degree rotational misalignment, may result in imbalanced ligaments, and may thereby significantly affect the outcome of the TKA procedure. For example, implant misalignment may result in intolerable post-surgery pain, and also may prevent the patient from having full leg extension and stable leg flexion.

To achieve accurate implant alignment, prior to treating (e.g., cutting, drilling, reaming, and/or resurfacing) any regions of a bone, it is important to correctly determine the location at which the treatment will take place and how the treatment will be oriented. In some methods, an arthroplasty jig may be used to accurately position and orient a finishing instrument, such as a cutting, drilling, reaming, or resurfacing instrument on the regions of the bone. The arthroplasty jig may, for example, include one or more apertures and/or slots that are configured to accept such an instrument.

A system and method has been developed for producing customized arthroplasty jigs configured to allow a surgeon to accurately and quickly perform an arthroplasty procedure that restores the pre-deterioration alignment of the joint, thereby improving the success rate of such procedures. Specifically, the customized arthroplasty jigs are indexed such that they matingly receive the regions of the bone to be subjected to a treatment (e.g., cutting, drilling, reaming, and/or resurfacing). The customized arthroplasty jigs are also indexed to provide the proper location and orientation of the treatment relative to the regions of the bone. The indexing aspect of the customized arthroplasty jigs allows the treatment of the bone regions to be done quickly and with a high degree of accuracy that will allow the implants to restore the patient's joint to a generally pre-deteriorated state. However, the system and method for generating the customized jigs often relies on a human to "eyeball" bone models on a computer screen to determine configurations needed for the generation of the customized jigs. This is "eyeballing" or manual manipulation of the bone modes on the computer screen is inefficient and unnecessarily raises the time, manpower and costs associated with producing the customized arthroplasty jigs. Furthermore, a less manual approach may improve the accuracy of the resulting jigs.

There is a need in the art for a system and method for reducing the labor associated with generating customized arthroplasty jigs. There is also a need in the art for a system and method for increasing the accuracy of customized arthroplasty jigs.

## SUMMARY

Disclosed herein is a method of manufacturing an arthroplasty jig. In one embodiment, the method includes: generating two-dimensional images of at least a portion

of a bone forming a joint; generating a first three-dimensional computer model of the at least a portion of the bone from the two-dimensional images; generating a second three-dimensional computer model of the at least a portion of the bone from the two-dimensional images; causing the first and second three-dimensional computer models to have in  
5 common a reference position, wherein the reference position includes at least one of a location and an orientation relative to an origin; generating a first type of data with the first three-dimensional computer model; generating a second type of data with the second three-dimensional computer model; employing the reference position to integrate the first and second types of data into an integrated jig data; using the integrated jig data at a  
10 manufacturing device to manufacture the arthroplasty jig.

Disclosed herein is a method of manufacturing an arthroplasty jig. In one embodiment, the method includes: generating two-dimensional images of at least a portion of a bone forming a joint; extending an open-loop contour line along an arthroplasty target region in at least some of the two-dimensional images; generating a three-dimensional  
15 computer model of the arthroplasty target region from the open-loop contour lines; generating from the three-dimensional computer model surface contour data pertaining to the arthroplasty target area; and using the surface contour data at a manufacturing machine to manufacture the arthroplasty jig.

Disclosed herein is a method of manufacturing an arthroplasty jig. In one  
20 embodiment, the method includes: determining from an image at least one dimension associated with a portion of a bone; comparing the at least one dimension to dimensions of at least two candidate jig blank sizes; selecting the smallest of the jig blank sizes that is sufficiently large to accommodate the at least one dimension; providing a jig blank of the selected size to a manufacturing machine; and manufacturing the arthroplasty jig from the jig  
25 blank.

Disclosed herein are arthroplasty jigs manufactured according to any of the aforementioned methods of manufacture. In some embodiments, the arthroplasty jigs may be indexed to matingly receive arthroplasty target regions of a joint bone. The arthroplasty jigs may also be indexed to orient saw cut slots and drill hole guides such that when the  
30 arthroplasty target regions are matingly received by the arthroplasty jig, the saw cuts and drill holes administered to the arthroplasty target region via the saw cut slots and drill hole guides will facilitate arthroplasty implants generally restoring the joint to a predegenerated state.

Disclosed herein is a method of computer generating a three-dimensional surface  
35 model of an arthroplasty target region of a bone forming a joint. In one embodiment, the method includes: generating two-dimensional images of at least a portion of the bone; generating an open-loop contour line along the arthroplasty target region in at least some of

the two-dimensional images; and generating the three-dimensional model of the arthroplasty target region from the open-loop contour lines.

Disclosed herein is a method of generating a three-dimensional arthroplasty jig computer model. In one embodiment, the method includes: comparing a dimension of at least a portion of a bone of a joint to candidate jig blank sizes; and selecting from the candidate jig blank sizes a smallest jig blank size able to accommodate the dimensions of the at least a portion of the bone.

Disclosed herein is a method of generating a three-dimensional arthroplasty jig computer model. In one embodiment, the method includes: forming an interior three-dimensional surface model representing an arthroplasty target region of at least a portion of a bone; forming an exterior three-dimensional surface model representing an exterior surface of a jig blank; and combining the interior surface model and exterior surface model to respectively form the interior surface and exterior surface of the three-dimensional arthroplasty jig computer model.

Disclosed herein is a method of generating a production file associated with the manufacture of arthroplasty jigs. The method includes: generating first data associated a surface contour of an arthroplasty target region of a joint bone; generating second data associated with at least one of a saw cut and a drill hole to be administered to the arthroplasty target region during an arthroplasty procedure; and integrating first and second data, wherein a positional relationship of first data relative to an origin and a positional relationship of second data relative to the origin are coordinated with each other to be generally identical during the respective generations of first and second data.

While multiple embodiments are disclosed, still other embodiments of the present invention will become apparent to those skilled in the art from the following detailed description, which shows and describes illustrative embodiments of the invention. As will be realized, the invention is capable of modifications in various aspects, all without departing from the spirit and scope of the present invention. Accordingly, the drawings and detailed description are to be regarded as illustrative in nature and not restrictive.

#### BRIEF DESCRIPTION OF THE DRAWINGS

FIG. 1A is a schematic diagram of a system for employing the automated jig production method disclosed herein.

FIGS. 1B-1E are flow chart diagrams outlining the jig production method disclosed herein.

FIGS. 1F and 1G are, respectively, bottom and top perspective views of an example customized arthroplasty femur jig.

FIGS. 1H and 1I are, respectively, bottom and top perspective views of an example customized arthroplasty tibia jig.



FIG. 2A is an anterior-posterior image slice of the damaged lower or knee joint end of the patient's femur, wherein the image slice includes an open-loop contour line segment corresponding to the targeted region of the damaged lower end.

FIG. 2B is a plurality of image slices with their respective open-loop contour line segments, the open-loop contour line segments being accumulated to generate the 3D model of the targeted region.

FIG. 2C is a 3D model of the targeted region of the damaged lower end as generated using the open-loop contour line segments depicted in FIG. 2B.

FIG. 2D is an anterior-posterior image slice of the damaged lower or knee joint end of the patient's femur, wherein the image slice includes a closed-loop contour line corresponding to the femur lower end, including the targeted region.

FIG. 2E is a plurality of image slices with their respective closed-loop contour line segments, the closed-loop contour lines being accumulated to generate the 3D model of the femur lower end, including the targeted region.

FIG. 2F is a 3D model of the femur lower end, including the targeted region, as generated using the closed-loop contour lines depicted in FIG. 2B.

FIG. 2G is a flow chart illustrating an overview of the method of producing a femur jig.

FIG. 3A is a top perspective view of a left femoral cutting jig blank having predetermined dimensions.

FIG. 3B is a bottom perspective view of the jig blank depicted in FIG. 3A.

FIG. 3C is plan view of an exterior side or portion of the jig blank depicted in FIG. 3A.

FIG. 4A is a plurality of available sizes of left femur jig blanks, each depicted in the same view as shown in FIG. 3C.

FIG. 4B is a plurality of available sizes of right femur jig blanks, each depicted in the same view as shown in FIG. 3C.

FIG. 5 is an axial view of the 3D surface model or arthritic model of the patient's left femur as viewed in a direction extending distal to proximal.

FIG. 6 depicts the selected model jig blank of FIG. 3C superimposed on the model femur lower end of FIG. 5.

FIG. 7A is an example scatter plot for selecting from a plurality of candidate jig blank sizes a jig blank size appropriate for the lower end of the patient's femur.

FIG. 7B is a flow diagram illustrating an embodiment of a process of selecting an appropriately sized jig blank.

FIG. 8A is an exterior perspective view of a femur jig blank exterior surface model.

FIG. 8B is an interior perspective view of the femur jig blank exterior surface model of FIG. 8A.

FIG. 9A is a perspective view of the extracted jig blank exterior surface model being combined with the extracted femur surface model.

FIG. 9B is a perspective view of the extracted jig blank exterior surface model combined with the extracted femur surface model.

5 FIG. 9C is a cross section of the combined jig blank exterior surface model and the femur surface model as taken along section line 9C-9C in FIG. 9B.

FIG. 10A is an exterior perspective view of the resulting femur jig model.

FIG. 10B is an interior perspective view of the femur jig model of FIG. 10A.

10 FIG. 11 illustrates a perspective view of the integrated jig model mating with the "arthritic model".

FIG. 12A is an anterior-posterior image slice of the damaged upper or knee joint end of the patient's tibia, wherein the image slice includes an open-loop contour line segment corresponding to the target area of the damaged upper end.

15 FIG. 12B is a plurality of image slices with their respective open-loop contour line segments, the open-loop contour line segments being accumulated to generate the 3D model of the target area.

FIG. 12C is a 3D model of the target area of the damaged upper end as generated using the open-loop contour line segments depicted in FIG. 12B.

20 FIG. 13A is a top perspective view of a right tibia cutting jig blank having predetermined dimensions.

FIG. 13B is a bottom perspective view of the jig blank depicted in FIG. 13A.

FIG. 13C is plan view of an exterior side or portion of the jig blank 50BR depicted in FIG. 13A.

25 FIG. 14 is a plurality of available sizes of right tibia jig blanks, each depicted in the same view as shown in FIG. 13C.

FIG. 15 is an axial view of the 3D surface model or arthritic model of the patient's right tibia as viewed in a direction extending proximal to distal.

FIG. 16 depicts the selected model jig blank of FIG. 13C superimposed on the model tibia upper end of FIG. 15.

30 FIG. 17A is an example scatter plot for selecting from a plurality of candidate jig blanks sizes a jig blank size appropriate for the upper end of the patient's tibia.

FIG. 17B is a flow diagram illustrating an embodiment of a process of selecting an appropriately sized jig blank.

FIG. 18A is an exterior perspective view of a tibia jig blank exterior surface model.

35 FIG. 18B is an interior perspective view of the tibia jig blank exterior surface model of FIG. 18A.

FIG. 19A is a perspective view of the extracted jig blank exterior surface model being combined with the extracted tibia surface model.

FIGS. 19B-19D are perspective views of the extracted jig blank exterior surface model combined with the extracted tibia surface model.

5 FIG. 20A is an exterior perspective view of the resulting tibia jig model.

FIG. 20B is an interior perspective view of the tibia jig model of FIG. 20A.

FIG. 21 illustrates a perspective view of the integrated jig model mating with the “arthritic model”.

#### DETAILED DESCRIPTION

10 Disclosed herein are customized arthroplasty jigs 2 and systems 4 for, and methods of, producing such jigs 2. The jigs 2 are customized to fit specific bone surfaces of specific patients. Depending on the embodiment and to a greater or lesser extent, the jigs 2 are automatically planned and generated and may be similar to those disclosed in these three U.S. Patent Applications: U.S. Patent Application 11/656,323 to Park et al., titled  
15 “Arthroplasty Devices and Related Methods” and filed January 19, 2007; U.S. Patent Application 10/146,862 to Park et al., titled “Improved Total Joint Arthroplasty System” and filed May 15, 2002; and U.S. Patent 11/642,385 to Park et al., titled “Arthroplasty Devices and Related Methods” and filed December 19, 2006. The disclosures of these three U.S. Patent Applications are incorporated by reference in their entireties into this Detailed  
20 Description.

#### a. Overview of System and Method for Manufacturing Customized Arthroplasty Cutting Jigs

For an overview discussion of the systems 4 for, and methods of, producing the customized arthroplasty jigs 2, reference is made to FIGS. 1A-1E. FIG. 1A is a schematic  
25 diagram of a system 4 for employing the automated jig production method disclosed herein. FIGS. 1B-1E are flow chart diagrams outlining the jig production method disclosed herein. The following overview discussion can be broken down into three sections.

The first section, which is discussed with respect to FIG. 1A and [blocks 100-125] of FIGS. 1B-1E, pertains to an example method of determining, in a three-dimensional (“3D”) computer model environment, saw cut and drill hole locations 30, 32 relative to 3D computer  
30 models that are termed restored bone models 28. The resulting “saw cut and drill hole data” 44 is referenced to the restored bone models 28 to provide saw cuts and drill holes that will allow arthroplasty implants to restore the patient’s joint to its pre-degenerated state.

The second section, which is discussed with respect to FIG. 1A and [blocks 100-105 and 130-145] of FIGS. 1B-1E, pertains to an example method of importing into 3D computer generated jig models 38 3D computer generated surface models 40 of arthroplasty target areas 42 of 3D computer generated arthritic models 36 of the patient’s joint bones. The

resulting "jig data" 46 is used to produce a jig customized to matingly receive the arthroplasty target areas of the respective bones of the patient's joint.

The third section, which is discussed with respect to FIG. 1A and [blocks 150-165] of FIG. 1E, pertains to a method of combining or integrating the "saw cut and drill hole data" 44 with the "jig data" 46 to result in "integrated jig data" 48. The "integrated jig data" 48 is provided to the CNC machine 10 for the production of customized arthroplasty jigs 2 from jig blanks 50 provided to the CNC machine 10. The resulting customized arthroplasty jigs 2 include saw cut slots and drill holes positioned in the jigs 2 such that when the jigs 2 matingly receive the arthroplasty target areas of the patient's bones, the cut slots and drill holes facilitate preparing the arthroplasty target areas in a manner that allows the arthroplasty joint implants to generally restore the patient's joint line to its pre-degenerated state.

As shown in FIG. 1A, the system 4 includes a computer 6 having a CPU 8, a monitor or screen 9 and an operator interface controls 11. The computer 6 is linked to a medical imaging system 8, such as a CT or MRI machine 8, and a computer controlled machining system 10, such as a CNC milling machine 10.

As indicated in FIG. 1A, a patient 12 has a joint 14 (e.g., a knee, elbow, ankle, wrist, hip, shoulder, skull/vertebrae or vertebrae/vertebrae interface, etc.) to be replaced. The patient 12 has the joint 14 scanned in the imaging machine 8. The imaging machine 8 makes a plurality of scans of the joint 14, wherein each scan pertains to a thin slice of the joint 14.

As can be understood from FIG. 1B, the plurality of scans is used to generate a plurality of two-dimensional ("2D") images 16 of the joint 14 [block 100]. Where, for example, the joint 14 is a knee 14, the 2D images will be of the femur 18 and tibia 20. The imaging may be performed via CT or MRI. In one embodiment employing MRI, the imaging process may be as disclosed in U.S. Patent Application 11/946,002 to Park, which is entitled "Generating MRI Images Usable For The Creation Of 3D Bone Models Employed To Make Customized Arthroplasty Jigs," was filed November 27, 2007 and is incorporated by reference in its entirety into this Detailed Description.

As can be understood from FIG. 1A, the 2D images are sent to the computer 6 for creating computer generated 3D models. As indicated in FIG. 1B, in one embodiment, point P is identified in the 2D images 16 [block 105]. In one embodiment, as indicated in [block 105] of FIG. 1A, point P may be at the approximate medial-lateral and anterior-posterior center of the patient's joint 14. In other embodiments, point P may be at any other location in the 2D images 16, including anywhere on, near or away from the bones 18, 20 or the joint 14 formed by the bones 18, 20.

As described later in this overview, point P may be used to locate the computer generated 3D models 22, 28, 36 created from the 2D images 16 and to integrate information generated via the 3D models. Depending on the embodiment, point P, which serves as a position and/or orientation reference, may be a single point, two points, three points, a point plus a plane, a vector, etc., so long as the reference P can be used to position and/or orient the 3D models 22, 28, 36 generated via the 2D images 16.

As shown in FIG. 1C, the 2D images 16 are employed to create computer generated 3D bone-only (i.e., "bone models") 22 of the bones 18, 20 forming the patient's joint 14 [block 110]. The bone models 22 are located such that point P is at coordinates  $(X_{0-j}, Y_{0-j}, Z_{0-j})$  relative to an origin  $(X_0, Y_0, Z_0)$  of an X-Y-Z axis [block 110]. The bone models 22 depict the bones 18, 20 in the present deteriorated condition with their respective degenerated joint surfaces 24, 26, which may be a result of osteoarthritis, injury, a combination thereof, etc.

Computer programs for creating the 3D computer generated bone models 22 from the 2D images 16 include: Analyze from AnalyzeDirect, Inc., Overland Park, KS; Insight Toolkit, an open-source software available from the National Library of Medicine Insight Segmentation and Registration Toolkit ("ITK"), [www.itk.org](http://www.itk.org); 3D Slicer, an open-source software available from [www.slicer.org](http://www.slicer.org); Mimics from Materialise, Ann Arbor, MI; and Paraview available at [www.paraview.org](http://www.paraview.org).

As indicated in FIG. 1C, the 3D computer generated bone models 22 are utilized to create 3D computer generated "restored bone models" or "planning bone models" 28 wherein the degenerated surfaces 24, 26 are modified or restored to approximately their respective conditions prior to degeneration [block 115]. Thus, the bones 18, 20 of the restored bone models 28 are reflected in approximately their condition prior to degeneration. The restored bone models 28 are located such that point P is at coordinates  $(X_{0-j}, Y_{0-j}, Z_{0-j})$  relative to the origin  $(X_0, Y_0, Z_0)$ . Thus, the restored bone models 28 share the same orientation and positioning relative to the origin  $(X_0, Y_0, Z_0)$  as the bone models 22.

In one embodiment, the restored bone models 28 are manually created from the bone models 22 by a person sitting in front of a computer 6 and visually observing the bone models 22 and their degenerated surfaces 24, 26 as 3D computer models on a computer screen 9. The person visually observes the degenerated surfaces 24, 26 to determine how and to what extent the degenerated surfaces 24, 26 surfaces on the 3D computer bone models 22 need to be modified to restore them to their pre-degenerated condition. By interacting with the computer controls 11, the person then manually manipulates the 3D degenerated surfaces 24, 26 via the 3D modeling computer program to restore the surfaces 24, 26 to a state the person believes to represent the pre-degenerated condition. The result of this manual restoration process is the computer generated 3D restored bone models 28, wherein the surfaces 24', 26' are indicated in a non-degenerated state.

In one embodiment, the above-described bone restoration process is generally or completely automated. In other words, a computer program may analyze the bone models 22 and their degenerated surfaces 24, 26 to determine how and to what extent the degenerated surfaces 24, 26 surfaces on the 3D computer bone models 22 need to be modified to restore them to their pre-degenerated condition. The computer program then manipulates the 3D degenerated surfaces 24, 26 to restore the surfaces 24, 26 to a state intended to represent the pre-degenerated condition. The result of this automated restoration process is the computer generated 3D restored bone models 28, wherein the surfaces 24', 26' are indicated in a non-degenerated state.

As depicted in FIG. 1C, the restored bone models 28 are employed in a pre-operative planning ("POP") procedure to determine saw cut locations 30 and drill hole locations 32 in the patient's bones that will allow the arthroplasty joint implants to generally restore the patient's joint line to its pre-degenerative alignment [block 120].

In one embodiment, the POP procedure is a manual process, wherein computer generated 3D implant models 34 (e.g., femur and tibia implants in the context of the joint being a knee) and restored bone models 28 are manually manipulated relative to each other by a person sitting in front of a computer 6 and visually observing the implant models 34 and restored bone models 28 on the computer screen 9 and manipulating the models 28, 34 via the computer controls 11. By superimposing the implant models 34 over the restored bone models 28, or vice versa, the joint surfaces of the implant models 34 can be aligned or caused to correspond with the joint surfaces of the restored bone models 28. By causing the joint surfaces of the models 28, 34 to so align, the implant models 34 are positioned relative to the restored bone models 28 such that the saw cut locations 30 and drill hole locations 32 can be determined relative to the restored bone models 28.

In one embodiment, the POP process is generally or completely automated. For example, a computer program may manipulate computer generated 3D implant models 34 (e.g., femur and tibia implants in the context of the joint being a knee) and restored bone models or planning bone models 8 relative to each other to determine the saw cut and drill hole locations 30, 32 relative to the restored bone models 28. The implant models 34 may be superimposed over the restored bone models 28, or vice versa. In one embodiment, the implant models 34 are located at point  $P'$  ( $X_{0-k}$ ,  $Y_{0-k}$ ,  $Z_{0-k}$ ) relative to the origin ( $X_0$ ,  $Y_0$ ,  $Z_0$ ), and the restored bone models 28 are located at point  $P$  ( $X_{0-j}$ ,  $Y_{0-j}$ ,  $Z_{0-j}$ ). To cause the joint surfaces of the models 28, 34 to correspond, the computer program may move the restored bone models 28 from point  $P$  ( $X_{0-j}$ ,  $Y_{0-j}$ ,  $Z_{0-j}$ ) to point  $P'$  ( $X_{0-k}$ ,  $Y_{0-k}$ ,  $Z_{0-k}$ ), or vice versa. Once the joint surfaces of the models 28, 34 are in close proximity, the joint surfaces of the implant models 34 may be shape-matched to align or correspond with the joint surfaces of the restored bone models 28. By causing the joint surfaces of the models 28, 34 to so align, the

implant models 34 are positioned relative to the restored bone models 28 such that the saw cut locations 30 and drill hole locations 32 can be determined relative to the restored bone models 28.

As indicated in FIG. 1E, in one embodiment, the data 44 regarding the saw cut and drill hole locations 30, 32 relative to point P' ( $X_{0-k}$ ,  $Y_{0-k}$ ,  $Z_{0-k}$ ) is packaged or consolidated as the "saw cut and drill hole data" 44 [block 145]. The "saw cut and drill hole data" 44 is then used as discussed below with respect to [block 150] in FIG. 1E.

As can be understood from FIG. 1D, the 2D images 16 employed to generate the bone models 22 discussed above with respect to [block 110] of FIG. 1C are also used to create computer generated 3D bone and cartilage models (i.e., "arthritic models") 36 of the bones 18, 20 forming the patient's joint 14 [block 130]. Like the above-discussed bone models 22, the arthritic models 36 are located such that point P is at coordinates ( $X_{0-j}$ ,  $Y_{0-j}$ ,  $Z_{0-j}$ ) relative to the origin ( $X_0$ ,  $Y_0$ ,  $Z_0$ ) of the X-Y-Z axis [block 130]. Thus, the bone and arthritic models 22, 36 share the same location and orientation relative to the origin ( $X_0$ ,  $Y_0$ ,  $Z_0$ ). This position/orientation relationship is generally maintained throughout the process discussed with respect to FIGS 1B-1E. Accordingly, movements relative to the origin ( $X_0$ ,  $Y_0$ ,  $Z_0$ ) of the bone models 22 and the various descendants thereof (i.e., the restored bone models 28, bone cut locations 30 and drill hole locations 32) are also applied to the arthritic models 36 and the various descendants thereof (i.e., the jig models 38). Maintaining the position/orientation relationship between the bone models 22 and arthritic models 36 and their respective descendants allows the "saw cut and drill hole data" 44 to be integrated into the "jig data" 46 to form the "integrated jig data" 48 employed by the CNC machine 10 to manufacture the customized arthroplasty jigs 2.

Computer programs for creating the 3D computer generated arthritic models 36 from the 2D images 16 include: Analyze from AnalyzeDirect, Inc., Overland Park, KS; Insight Toolkit, an open-source software available from the National Library of Medicine Insight Segmentation and Registration Toolkit ("ITK"), [www.itk.org](http://www.itk.org); 3D Slicer, an open-source software available from [www.slicer.org](http://www.slicer.org); Mimics from Materialise, Ann Arbor, MI; and Paraview available at [www.paraview.org](http://www.paraview.org).

Similar to the bone models 22, the arthritic models 36 depict the bones 18, 20 in the present deteriorated condition with their respective degenerated joint surfaces 24, 26, which may be a result of osteoarthritis, injury, a combination thereof, etc. However, unlike the bone models 22, the arthritic models 36 are not bone-only models, but include cartilage in addition to bone. Accordingly, the arthritic models 36 depict the arthroplasty target areas 42 generally as they will exist when the customized arthroplasty jigs 2 matingly receive the arthroplasty target areas 42 during the arthroplasty surgical procedure.

As indicated in FIG. 1D and already mentioned above, to coordinate the positions/orientations of the bone and arthritic models 36, 36 and their respective descendants, any movement of the restored bone models 28 from point P to point P' is tracked to cause a generally identical displacement for the "arthritic models" 36 [block 135].

5 As depicted in FIG. 1D, computer generated 3D surface models 40 of the arthroplasty target areas 42 of the arthritic models 36 are imported into computer generated 3D arthroplasty jig models 38 [block 140]. Thus, the jig models 38 are configured or indexed to matingly receive the arthroplasty target areas 42 of the arthritic models 36. Jigs 2 manufactured to match such jig models 38 will then matingly receive the arthroplasty target areas of the actual joint bones during the arthroplasty surgical procedure.

10 In one embodiment, the procedure for indexing the jig models 38 to the arthroplasty target areas 42 is a manual process. The 3D computer generated models 36, 38 are manually manipulated relative to each other by a person sitting in front of a computer 6 and visually observing the jig models 38 and arthritic models 36 on the computer screen 9 and manipulating the models 36, 38 by interacting with the computer controls 11. In one  
15 embodiment, by superimposing the jig models 38 (e.g., femur and tibia arthroplasty jigs in the context of the joint being a knee) over the arthroplasty target areas 42 of the arthritic models 36, or vice versa, the surface models 40 of the arthroplasty target areas 42 can be imported into the jig models 38, resulting in jig models 38 indexed to matingly receive the  
20 arthroplasty target areas 42 of the arthritic models 36. Point P' ( $X_{0-k}$ ,  $Y_{0-k}$ ,  $Z_{0-k}$ ) can also be imported into the jig models 38, resulting in jig models 38 positioned and oriented relative to point P' ( $X_{0-k}$ ,  $Y_{0-k}$ ,  $Z_{0-k}$ ) to allow their integration with the bone cut and drill hole data 44 of [block 125].

25 In one embodiment, the procedure for indexing the jig models 38 to the arthroplasty target areas 42 is generally or completely automated, as discussed in detail later in this Detailed Description. For example, a computer program may create 3D computer generated surface models 40 of the arthroplasty target areas 42 of the arthritic models 36. The computer program may then import the surface models 40 and point P' ( $X_{0-k}$ ,  $Y_{0-k}$ ,  $Z_{0-k}$ ) into the jig models 38, resulting in the jig models 38 being indexed to matingly receive the  
30 arthroplasty target areas 42 of the arthritic models 36. The resulting jig models 38 are also positioned and oriented relative to point P' ( $X_{0-k}$ ,  $Y_{0-k}$ ,  $Z_{0-k}$ ) to allow their integration with the bone cut and drill hole data 44 of [block125].

35 In one embodiment, the arthritic models 36 may be 3D volumetric models as generated from the closed-loop process discussed below with respect to FIGS. 2D-2F. In other embodiments, the arthritic models 36 may be 3D surface models as generated from the open-loop process discussed below with respect to FIGS. 2A-2C and 12A-12C.



As indicated in FIG. 1E, in one embodiment, the data regarding the jig models 38 and surface models 40 relative to point P' ( $X_{0-k}$ ,  $Y_{0-k}$ ,  $Z_{0-k}$ ) is packaged or consolidated as the "jig data" 46 [block 145]. The "jig data" 46 is then used as discussed below with respect to [block 150] in FIG. 1E.

5 As can be understood from FIG. 1E, the "saw cut and drill hole data" 44 is integrated with the "jig data" 46 to result in the "integrated jig data" 48 [block 150]. As explained above, since the "saw cut and drill hole data" 44, "jig data" 46 and their various ancestors (e.g., models 22, 28, 36, 38) are matched to each other for position and orientation relative to point P and P', the "saw cut and drill hole data" 44 is properly positioned and oriented relative to  
10 the "jig data" 46 for proper integration into the "jig data" 46. The resulting "integrated jig data" 48, when provided to the CNC machine 10, results in jigs 2: (1) configured to matingly receive the arthroplasty target areas of the patient's bones; and (2) having cut slots and drill holes that facilitate preparing the arthroplasty target areas in a manner that allows the arthroplasty joint implants to generally restore the patient's joint line to its pre-degenerated  
15 state.

As can be understood from FIGS. 1A and 1E, the "integrated jig data" 44 is transferred from the computer 6 to the CNC machine 10 [block 155]. Jig blanks 50 are provided to the CNC machine 10 [block 160], and the CNC machine 10 employs the "integrated jig data" to machine the arthroplasty jigs 2 from the jig blanks 50.

20 For a discussion of example customized arthroplasty cutting jigs 2 capable of being manufactured via the above-discussed process, reference is made to FIGS. 1F-1I. While, as pointed out above, the above-discussed process may be employed to manufacture jigs 2 configured for arthroplasty procedures involving knees, elbows, ankles, wrists, hips, shoulders, vertebra interfaces, etc., the jig examples depicted in FIGS. 1F-1I are for total  
25 knee replacement ("TKR") procedures. Thus, FIGS. 1F and 1G are, respectively, bottom and top perspective views of an example customized arthroplasty femur jig 2A, and FIGS. 1H and 1I are, respectively, bottom and top perspective views of an example customized arthroplasty tibia jig 2B.

As indicated in FIGS. 1F and 1G, a femur arthroplasty jig 2A may include an interior  
30 side or portion 100 and an exterior side or portion 102. When the femur cutting jig 2A is used in a TKR procedure, the interior side or portion 100 faces and matingly receives the arthroplasty target area 42 of the femur lower end, and the exterior side or portion 102 is on the opposite side of the femur cutting jig 2A from the interior portion 100.

The interior portion 100 of the femur jig 2A is configured to match the surface  
35 features of the damaged lower end (i.e., the arthroplasty target area 42) of the patient's femur 18. Thus, when the target area 42 is received in the interior portion 100 of the femur

jig 2A during the TKR surgery, the surfaces of the target area 42 and the interior portion 100 match.

The surface of the interior portion 100 of the femur cutting jig 2A is machined or otherwise formed into a selected femur jig blank 50A and is based or defined off of a 3D surface model 40 of a target area 42 of the damaged lower end or target area 42 of the patient's femur 18.

As indicated in FIGS. 1H and 1I, a tibia arthroplasty jig 2B may include an interior side or portion 104 and an exterior side or portion 106. When the tibia cutting jig 2B is used in a TKR procedure, the interior side or portion 104 faces and matingly receives the arthroplasty target area 42 of the tibia upper end, and the exterior side or portion 106 is on the opposite side of the tibia cutting jig 2B from the interior portion 104.

The interior portion 104 of the tibia jig 2B is configured to match the surface features of the damaged upper end (i.e., the arthroplasty target area 42) of the patient's tibia 20. Thus, when the target area 42 is received in the interior portion 104 of the tibia jig 2B during the TKR surgery, the surfaces of the target area 42 and the interior portion 104 match.

The surface of the interior portion 104 of the tibia cutting jig 2B is machined or otherwise formed into a selected tibia jig blank 50B and is based or defined off of a 3D surface model 40 of a target area 42 of the damaged upper end or target area 42 of the patient's tibia 20.

b. Overview of Automated Process for Indexing 3D Arthroplasty Jig Models to Arthroplasty Target Areas

As mentioned above with respect to [block 140] of FIG. 1D, the process for indexing the 3D arthroplasty jig models 38 to the arthroplasty target areas 42 can be automated. A discussion of an example of such an automated process will now concern the remainder of this Detailed Description, beginning with an overview of the automated indexing process.

As can be understood from FIG. 1A and [blocks 100-105] of FIG. 1B, a patient 12 has a joint 14 (e.g., a knee, elbow, ankle, wrist, shoulder, hip, vertebra interface, etc.) to be replaced. The patient 12 has the joint 14 scanned in an imaging machine 10 (e.g., a CT, MRI, etc. machine) to create a plurality of 2D scan images 16 of the bones (e.g., femur 18 and tibia 20) forming the patient's joint 14 (e.g., knee). Each scan image 16 is a thin slice image of the targeted bone(s) 18, 20. The scan images 16 are sent to the CPU 8, which employs an open-loop image analysis along targeted features 42 of the scan images 16 of the bones 18, 20 to generate a contour line for each scan image 16 along the profile of the targeted features 42.

As can be understood from FIG. 1A and [block 110] of FIG. 1C, the CPU 8 compiles the scan images 16 and, more specifically, the contour lines to generate 3D computer surface models ("arthritic models") 36 of the targeted features 42 of the patient's joint bones

18, 20. In the context of total knee replacement (“TKR”) surgery, the targeted features 42 may be the lower or knee joint end of the patient’s femur 18 and the upper or knee joint end of the patient’s tibia 20. More specifically, the targeted features 42 may be the tibia contacting articulating surface of the patient’s femur 18 and the femur contacting articulating surface of the patient’s tibia 20.

In some embodiments, the “arthritic models” 36 may be surface models or volumetric solid models respectively formed via an open-loop or closed-loop process such that the contour lines are respectively open or closed loops. In one embodiment discussed in detail herein, the “arthritic models” 36 may be surface models formed via an open-loop process. By employing an open-loop and surface model approach, as opposed to a closed-loop and volumetric solid model approach, the computer modeling process requires less processing capability and time from the CPU 8 and, as a result, is more cost effective.

The system 4 measures the anterior-posterior extent and medial-lateral extent of the target areas 42 of the “arthritic models” 36. The anterior-posterior extent and medial-lateral extent may be used to determine an aspect ratio, size and/or configuration for the 3D “arthritic models” 36 of the respective bones 18, 20. In one embodiment of a jig blank grouping and selection method discussed below, the aspect ratio, size and/or configuration of the 3D “arthritic models” 36 of the respective bones 18, 20 may be used for comparison to the aspect ratio, size and/or configuration of 3D computer models of candidate jig blanks 50 in a jig blank grouping and selection method discussed below. In one embodiment of a jig blank grouping and selection method discussed below, the anterior-posterior and medial-lateral dimensions of the 3D “arthritic models” 36 of the respective bones 18, 20 may be used for comparison to the anterior-posterior and medial-lateral dimensions of 3D computer models of candidate jig blanks 50.

In the context of TKR, the jigs 2 will be femur and tibia arthroplasty cutting jigs 2A, 2B, which are machined or otherwise formed from femur and tibia jig blanks 50A, 50B. A plurality of candidate jig blank sizes exists, for example, in a jig blank library. While each candidate jig blank may have a unique combination of anterior-posterior and medial-lateral dimension sizes, in some embodiments, two or more of the candidate jig blanks may share a common aspect ratio or configuration. The candidate jig blanks of the library may be grouped along sloped lines of a plot according to their aspect ratios. The system 4 employs the jig blank grouping and selection method to select a jig blank 50 from a plurality of available jig blank sizes contained in the jig blank library. For example, the configurations, sizes and/or aspect ratios of the tibia and femur 3D arthritic models 36 are compared to the configurations, sizes and/or aspect ratios of the 3D models of the candidate jig blanks with or without a dimensional comparison between the arthritic models 36 and the models of the candidate jig blanks.

Alternatively, in one embodiment, the anterior-posterior and medial-lateral dimensions of the target areas of the arthritic models 36 of the patient's femur and tibia 18, 20 are increased via a mathematical formula. The resulting mathematically modified anterior-posterior and medial-lateral dimensions are then compared to the anterior-posterior and medial-lateral dimensions of the models of the candidate jig blanks 50A, 50B. In one embodiment, the jig blanks 50A, 50B selected are the jig blanks having anterior-posterior and medial-lateral dimensions that are the closest in size to the mathematically modified anterior-posterior and medial-lateral dimensions of the patient's bones 18, 20 without being exceeded by the mathematically modified dimensions of the patient's bones 18, 20. In one embodiment, the jig blank selection method results in the selection of a jig blank 50 that is as near as possible in size to the patient's knee features, thereby minimizing the machining involved in creating a jig 2 from a jig blank.

In one embodiment, as discussed with respect to FIGS. 1F-1I, each arthroplasty cutting jig 2 includes an interior portion and an exterior portion. The interior portion is dimensioned specific to the surface features of the patient's bone that are the focus of the arthroplasty. Thus, where the arthroplasty is for TKR surgery, the jigs will be a femur jig and/or a tibia jig. The femur jig will have an interior portion custom configured to match the damaged surface of the lower or joint end of the patient's femur. The tibia jig will have an interior portion custom configured to match the damaged surface of the upper or joint end of the patient's tibia.

In one embodiment, because of the jig blank grouping and selection method, the exterior portion of each arthroplasty cutting jig 2 is substantially similar in size to the patient's femur and tibia 3D arthritic models 36. However, to provide adequate structural integrity for the cutting jigs 2, the exterior portions of the jigs 2 may be mathematically modified to cause the exterior portions of the jigs 2 to exceed the 3D femur and tibia models in various directions, thereby providing the resulting cutting jigs 2 with sufficient jig material between the exterior and interior portions of the jigs 2 to provide adequate structural strength.

As can be understood from [block 140] of FIG. 1D, once the system 4 selects femur and tibia jig blanks 50 of sizes and configurations sufficiently similar to the sizes and configurations of the patient's femur and tibia computer arthritic models 36, the system 4 superimposes the 3D computer surface models 40 of the targeted features 42 of the femur 18 and tibia 20 onto the interior portion of the respective 3D computer models of the selected femur and tibia jigs 38, or more appropriately in one version of the present embodiment, the jig blanks 50. The result, as can be understood from [block 145] of FIG. 1E, is computer models of the femur and tibia jigs 2 in the form of "jig data" 46, wherein the femur and tibia jig computer models have: (1) respective exterior portions closely approximating the overall

size and configuration of the patient's femur and tibia; and (2) respective interior portions having surfaces that match the targeted features 42 of the patient's femur 18 and tibia 20.

The system 4 employs the data from the jig computer models (i.e., "jig data" 46) to cause the CNC machine 10 to machine the actual jigs 2 from actual jig blanks. The result is the automated production of actual femur and tibia jigs 2 having: (1) exterior portions generally matching the patient's actual femur and tibia with respect to size and overall configuration; and (2) interior portions having patient-specific dimensions and configurations corresponding to the actual dimensions and configurations of the targeted features 42 of the patient's femur and tibia. The systems 4 and methods disclosed herein allow for the efficient manufacture of arthroplasty jigs 2 customized for the specific bone features of a patient.

The jigs 2 and systems 4 and methods of producing such jigs are illustrated herein in the context of knees and TKR surgery. However, those skilled in the art will readily understand the jigs 2 and system 4 and methods of producing such jigs can be readily adapted for use in the context of other joints and joint replacement surgeries, e.g., elbows, shoulders, hips, etc. Accordingly, the disclosure contained herein regarding the jigs 2 and systems 4 and methods of producing such jigs should not be considered as being limited to knees and TKR surgery, but should be considered as encompassing all types of joint surgeries.

c. Defining a 3D Surface Model of an Arthroplasty Target Area of a Femur Lower End for Use as a Surface of an Interior Portion of a Femur Arthroplasty Cutting Jig.

For a discussion of a method of generating a 3D model 40 of a target area 42 of a damaged lower end 204 of a patient's femur 18, reference is made to FIGS. 2A-2G. FIG. 2A is an anterior-posterior ("AP") image slice 208 of the damaged lower or knee joint end 204 of the patient's femur 18, wherein the image slice 208 includes an open-loop contour line segment 210 corresponding to the target area 42 of the damaged lower end 204. FIG. 2B is a plurality of image slices (16-1, 16-1, 16-2, ... 16-n) with their respective open-loop contour line segments (210-1, 210-2, ... 210-n), the open-loop contour line segments 210 being accumulated to generate the 3D model 40 of the target area 42. FIG. 2C is a 3D model 40 of the target area 42 of the damaged lower end 204 as generated using the open-loop contour line segments (16-1, 16-2, ... 16-n) depicted in FIG. 2B. FIGS. 2D-2F are respectively similar to FIGS. 2A-2C, except FIGS. 2D-2F pertain to a closed-loop contour line as opposed to an open-loop contour line. FIG. 2G is a flow chart illustrating an overview of the method of producing a femur jig 2A.

As can be understood from FIGS. 1A, 1B and 2A, the imager 120 is used to generate a 2D image slice 16 of the damaged lower or knee joint end 204 of the patient's femur 18. As depicted in FIG. 2A, the 2D image 16 may be an AP view of the femur 18. Depending on whether the imager 10 is a MRI or CT imager, the image slice 16 will be a MRI or CT slice.

The damaged lower end 204 includes the posterior condyle 212, an anterior femur shaft surface 214, and an area of interest or targeted area 42 that extends from the posterior condyle 212 to the anterior femur shaft surface 214. The targeted area 42 of the femur lower end may be the articulating contact surfaces of the femur lower end that contact  
5 corresponding articulating contact surfaces of the tibia upper or knee joint end.

As shown in FIG. 2A, the image slice 16 may depict the cancellous bone 216, the cortical bone 218 surrounding the cancellous bone, and the articular cartilage lining portions of the cortical bone 218. The contour line 210 may extend along the targeted area 42 and immediately adjacent the cortical bone and cartilage to outline the contour of the targeted  
10 area 42 of the femur lower end 204. The contour line 210 extends along the targeted area 42 starting at point A on the posterior condyle 212 and ending at point B on the anterior femur shaft surface 214.

In one embodiment, as indicated in FIG. 2A, the contour line 210 extends along the targeted area 42, but not along the rest of the surface of the femur lower end 204. As a  
15 result, the contour line 210 forms an open-loop that, as will be discussed with respect to FIGS. 2B and 2C, can be used to form an open-loop region or 3D computer model 40, which is discussed with respect to [block 140] of FIG. 1D and closely matches the 3D surface of the targeted area 42 of the femur lower end. Thus, in one embodiment, the contour line is an open-loop and does not outline the entire cortical bone surface of the femur lower end  
20 204. Also, in one embodiment, the open-loop process is used to form from the 3D images 16 a 3D surface model 36 that generally takes the place of the arthritic model 36 discussed with respect to [blocks 125-140] of FIG. 1D and which is used to create the surface model 40 used in the creation of the "jig data" 46 discussed with respect to [blocks 145-150] of FIG. 1E.

In one embodiment and in contrast to the open-loop contour line 210 depicted in  
25 FIGS. 2A and 2B, the contour line is a closed-loop contour line 210' that outlines the entire cortical bone surface of the femur lower end and results in a closed-loop area, as depicted in FIG. 2D. The closed-loop contour lines 210'-2, ... 210'-n of each image slice 16-1, ... 16-n are combined, as indicated in FIG. 2E. A closed-loop area may require the analysis of the  
30 entire surface region of the femur lower end 204 and result in the formation of a 3D model of the entire femur lower end 204 as illustrated in FIG. 2F. Thus, the 3D surface model resulting from the closed-loop process ends up having in common much, if not all, the surface of the 3D arthritic model 36. In one embodiment, the closed-loop process may result in a 3D volumetric anatomical joint solid model from the 2D images 16 via applying  
35 mathematical algorithms. U.S. Patent 5,682, 886, which was filed December 26, 1995 and is incorporated by reference in its entirety herein, applies a snake algorithm forming a continuous boundary or closed-loop. After the femur has been outlined, a modeling process

is used to create the 3D surface model, for example, through a Bezier patches method. Other 3D modeling processes, e.g., commercially-available 3D construction software as listed in other parts of this Detailed Description, are applicable to 3D surface model generation for closed-loop, volumetric solid modeling.

5 In one embodiment, the closed-loop process is used to form from the 3D images 16 a 3D volumetric solid model 36 that is essentially the same as the arthritic model 36 discussed with respect to [blocks 125-140] of FIG. 1D. The 3D volumetric solid model 36 is used to create the surface model 40 used in the creation of the "jig data" 46 discussed with respect to [blocks 145-150] of FIG. 1E.

10 The formation of a 3D volumetric solid model of the entire femur lower end employs a process that may be much more memory and time intensive than using an open-loop contour line to create a 3D model of the targeted area 42 of the femur lower end. Accordingly, although the closed-loop methodology may be utilized for the systems and methods disclosed herein, for at least some embodiments, the open-loop methodology may  
15 be preferred over the closed-loop methodology.

An example of a closed-loop methodology is disclosed in U.S. Patent Application 11/641,569 to Park, which is entitled "Improved Total Joint Arthroplasty System" and was filed January 19, 2007. This application is incorporated by reference in its entirety into this Detailed Description.

20 As can be understood from FIGS. 2B and 2G, the imager 10 generates a plurality of image slices (16-1, 16-2 ... 16-n) via repetitive imaging operations [block 1000]. Each image slice 16 has an open-loop contour line (210-1, 210-2 ... 210-n) extending along the targeted region 42 in a manner as discussed with respect to FIG. 2A [block 1005]. In one embodiment, each image slice is a two-millimeter 2D image slice 16. The system 100  
25 compiles the plurality of 2D image slices (16-1, 16-2 ... 16-n) and, more specifically, the plurality of open-loop contour lines (210-1, 210-2, ... 210-n) into the 3D femur surface computer model 40 depicted in FIG. 2C [block 1010]. This process regarding the generation of the surface model 40 is also discussed in the overview section with respect to [blocks 100-105] of FIG. 1B and [blocks 130-140] of FIG. 1D. A similar process may be employed  
30 with respect to the closed-loop contour lines depicted in FIGS. 2D-2F.

As can be understood from FIG. 2C, the 3D femur surface computer model 40 is a 3D computer representation of the targeted region 42 of the femur lower end. In one embodiment, the 3D representation of the targeted region 42 is a 3D representation of the articulated tibia contact surfaces of the femur distal end. As the open-loop generated 3D  
35 model 40 is a surface model of the relevant tibia contacting portions of the femur lower end, as opposed to a 3D model of the entire surface of the femur lower end as would be a result

of a closed-loop contour line, the open-loop generated 3D model 40 is less time and memory intensive to generate.

In one embodiment, the open-loop generated 3D model 40 is a surface model of the tibia facing end face of the femur lower end, as opposed a 3D model of the entire surface of the femur lower end. The 3D model 40 can be used to identify the area of interest or targeted region 42, which, as previously stated, may be the relevant tibia contacting portions of the femur lower end. Again, the open-loop generated 3D model 40 is less time and memory intensive to generate as compared to a 3D model of the entire surface of the femur distal end, as would be generated by a closed-loop contour line. Thus, for at least some versions of the embodiments disclosed herein, the open-loop contour line methodology is preferred over the closed-loop contour line methodology. However, the system 4 and method disclosed herein may employ either the open-loop or closed-loop methodology and should not be limited to one or the other.

Regardless of whether the 3D model 40 is a surface model of the targeted region 42 (i.e., a 3D surface model generated from an open-loop process and acting as the arthritic model 22) or the entire tibia facing end face of the femur lower end (i.e., a 3D volumetric solid model generated from a closed-loop process and acting as the arthritic model 22), the data pertaining to the contour lines 210 can be converted into the 3D contour computer model 40 via the surface rendering techniques disclosed in any of the aforementioned U.S. patent applications to Park. For example, surface rendering techniques employed include point-to-point mapping, surface normal vector mapping, local surface mapping, and global surface mapping techniques. Depending on the situation, one or a combination of mapping techniques can be employed.

In one embodiment, the generation of the 3D model 40 depicted in FIG.2C may be formed by using the image slices 16 to determine location coordinate values of each of a sequence of spaced apart surface points in the open-loop region of FIG.2B. A mathematical model may then be used to estimate or compute the 3D model 40 in FIG.2C. Examples of other medical imaging computer programs that may be used include, but are not limited to: Analyze from AnalyzeDirect, Inc. of Overland Park, KS; open-source software such as Paraview of Kitware, Inc.; Insight Toolkit ("ITK") available at [www.itk.org](http://www.itk.org); 3D Slicer available at [www.slicer.org](http://www.slicer.org); and Mimics from Materialise of Ann Arbor, MI.

Alternatively or additionally to the aforementioned systems for generating the 3D model 40 depicted in FIG. 2C, other systems for generating the 3D model 40 of FIG. 2C include the surface rendering techniques of the Non-Uniform Rational B-spline ("NURB") program or the Bézier program. Each of these programs may be employed to generate the 3D contour model 40 from the plurality of contour lines 210.



In one embodiment, the NURB surface modeling technique is applied to the plurality of image slices 16 and, more specifically, the plurality of open-loop contour lines 210 of FIG.2B. The NURB software generates a 3D model 40 as depicted in FIG. 2C, wherein the 3D model 40 has areas of interest or targeted regions 42 that contain both a mesh and its control points. For example, see Ervin et al., *Landscape Modeling*, McGraw-Hill, 2001, which is hereby incorporated by reference in its entirety into this Detailed Description.

In one embodiment, the NURB surface modeling technique employs the following

$$G(s,t) = \frac{\sum_{i=0}^{k1} \sum_{j=0}^{k2} W(i,j) P(i,j) b_i(s) b_j(t)}{\sum_{i=0}^{k1} \sum_{j=0}^{k2} W(i,j) b_i(s) b_j(t)}$$

surface equation:

, wherein  $P(i,j)$  represents a matrix of vertices with n rows =  $(k1+1)$  and n cols =  $(k2+1)$ ,  $W(i,j)$  represents a matrix of vertex weights of one per vertex point,  $b_i(s)$  represents a row-direction basis or blending of polynomial functions of degree M1,  $b_j(t)$  represents a column-direction basis or blending of polynomial functions of degree M2,  $s$  represents a parameter array of row-direction knots, and  $t$  represents a parameter array of column-direction knots.

In one embodiment, the Bézier surface modeling technique employs the Bézier equation (1972, by Pierre Bézier) to generate a 3D model 40 as depicted in FIG.2C, wherein the model 40 has areas of interest or targeted regions 42. A given Bézier surface of order  $(n, m)$  is defined by a set of  $(n + 1)(m + 1)$  control points  $k_{ij}$ . It maps the unit square into a smooth-continuous surface embedded within a space of the same dimensionality as  $(k_{ij})$ . For example, if  $k$  are all points in a four-dimensional space, then the surface will be within a four-dimensional space. This relationship holds true for a one-dimensional space, a two-dimensional space, a fifty-dimensional space, etc.

A two-dimensional Bézier surface can be defined as a parametric surface where the position of a point  $p$  as a function of the parametric coordinates  $u, v$  is given by:

$$\mathbf{p}(u, v) = \sum_{i=0}^n \sum_{j=0}^m B_i^n(u) B_j^m(v) \mathbf{k}_{i,j}$$

evaluated over the unit square, where

$$B_i^n(u) = \binom{n}{i} u^i (1-u)^{n-i} \quad \binom{n}{i} = \frac{n!}{i! * (n-i)!}$$

is a Bernstein polynomial and is the binomial coefficient. See Grune et al, *On Numerical Algorithm and Interactive Visualization for Optimal Control Problems*, Journal of Computation and Visualization in Science, Vol. 1, No. 4, July 1999, which is hereby incorporated by reference in its entirety into this Detailed Description.

Various other surface rendering techniques are disclosed in other references. For example, see the surface rendering techniques disclosed in the following publications:

Lorensen et al., *Marching Cubes: A high Resolution 3d Surface Construction Algorithm*, Computer Graphics, 21-3: 163-169, 1987; Farin et al., *NURB Curves & Surfaces: From Projective Geometry to Practical Use*, Wellesley, 1995; Kumar et al, *Robust Incremental Polygon Triangulation for Surface Rendering*, WSCG, 2000; Fleischer et al., *Accurate Polygon Scan Conversion Using Half-Open Intervals*, Graphics Gems III, p. 362-365, code: 5 p. 599-605, 1992; Foley et al., *Computer Graphics: Principles and Practice*, Addison Wesley, 1990; Glassner, *Principles of Digital Image Synthesis*, Morgan Kaufmann, 1995, all of which are hereby incorporated by reference in their entireties into this Detailed Description.

10 d. Selecting a Jig Blank Most Similar in Size and/or Configuration to the Size of the Patient's Femur Lower End.

As mentioned above, an arthroplasty jig 2, such as a femoral jig 2A includes an interior portion 100 and an exterior portion 102. The femoral jig 2A is formed from a femur jig blank 50A, which, in one embodiment, is selected from a finite number of femur jig blank sizes. The selection of the femur jig blank 50A is based on a comparison of the dimensions 15 of the patient's femur lower end 204 to the dimensions and/or configurations of the various sizes of femur jig blanks 50A to select the femur jig blank 50A most closely resembling the patient's femur lower end 204 with respect to size and/or configuration. This selected femur jig blank 50A has an outer or exterior side or surface 232 that forms the exterior portion 232 of the femur jig 2A. The 3D surface computer model 40 discussed with respect to the 20 immediately preceding section of this Detail Description is used to define a 3D surface 40 into the interior side 230 of computer model of a femur jig blank 50A.

By selecting a femur jig blank 50A with an exterior portion 232 close in size to the patient's lower femur end 204, the potential for an accurate fit between the interior portion 230 and the patient's femur is increased. Also, the amount of material that needs to be 25 machined or otherwise removed from the jig blank 50A is reduced, thereby reducing material waste and manufacturing time.

For a discussion of a method of selecting a jig blank 50 most closely corresponding to the size and/or configuration of the patient's lower femur end, reference is first made to FIGS. 3-4B. FIG. 3A is a top perspective view of a left femoral cutting jig blank 50AL having 30 predetermined dimensions. FIG. 3B is a bottom perspective view of the jig blank 50AL depicted in FIG. 3A. FIG. 3C is plan view of an exterior side or portion 232 of the jig blank 50AL depicted in FIG. 3A. FIG. 4A is a plurality of available sizes of left femur jig blanks 50AL, each depicted in the same view as shown in FIG. 3C. FIG. 4B is a plurality of available sizes of right femur jig blanks 50AR, each depicted in the same view as shown in 35 FIG. 3C.

A common jig blank 50, such as the left jig blank 50AL depicted in FIGS. 3A-3C and intended for creation of a left femur jig that can be used with a patient's left femur, may

include a posterior edge 240, an anterior edge 242, a lateral edge 244, a medial edge 246, a lateral condyle portion 248, a medial condyle portion 250, the exterior side 232 and the interior side 230. The jig blank 50AL of FIGS. 3A-3C may be any one of a number of left femur jig blanks 50AL available in a limited number of standard sizes. For example, the jig blank 50AL of FIGS. 3A-3C may be an  $i$ -th left femur jig blank, where  $i = 1, 2, 3, 4, \dots, m$  and  $m$  represents the maximum number of left femur jig blank sizes.

As indicated in FIG. 3C, the anterior-posterior extent  $JAI$  of the jig blank 50AL is measured from the anterior edge 242 to the posterior edge 240 of the jig blank 50AL. The medial-lateral extent  $JMI$  of the jig blank 50AL is measured from the lateral edge 244 to the medial edge 246 of the jig blank 50AL.

As can be understood from FIG. 4A, a limited number of left femur jig blank sizes may be available for selection as the left femur jig blank size to be machined into the left femur cutting jig 2A. For example, in one embodiment, there are nine sizes ( $m = 9$ ) of left femur jig blanks 50AL available. As can be understood from FIG. 3C, each femur jig blank 50AL has an anterior-posterior/medial-lateral aspect ratio defined as  $JAI$  to  $JMI$  (e.g., “ $JAI/JMI$ ” aspect ratio). Thus, as can be understood from FIG. 4A, jig blank 50AL-1 has an aspect ratio defined as “ $JA_1/JM_1$ ”, jig blank 50AL-2 has an aspect ratio defined as “ $JA_2/JM_2$ ”, jig blank 50AL-3 has an aspect ratio defined as “ $JA_3/JM_3$ ”, jig blank 50AL-4 has an aspect ratio defined as “ $JA_4/JM_4$ ”, jig blank 50AL-5 has an aspect ratio defined as “ $JA_5/JM_5$ ”, jig blank 50AL-6 has an aspect ratio defined as “ $JA_6/JM_6$ ”, jig blank 50AL-7 has an aspect ratio defined as “ $JA_7/JM_7$ ”, jig blank 50AL-8 has an aspect ratio defined as “ $JA_8/JM_8$ ”, and jig blank 50AL-9 has an aspect ratio defined as “ $JA_9/JM_9$ ”.

The jig blank aspect ratio is utilized to design left femur jigs 2A dimensioned specific to the patient's left femur features. In one embodiment, the jig blank aspect ratio can be the exterior dimensions of the left femur jig 2A. In another embodiment, the jig blank aspect ratio can apply to the left femur jig fabrication procedure for selecting the left jig blank 50AL having parameters close to the dimensions of the desired left femur jig 2A. This embodiment can improve the cost efficiency of the left femur jig fabrication process because it reduces the amount of machining required to create the desired jig 2 from the selected jig blank 50.

In FIG. 4A, the N-1 direction represents increasing jig aspect ratios moving from jig 50AL-3 to jig 50AL-2 to jig 50AL-1, where “ $JA_3/JM_3 < JA_2/JM_2 < JA_1/JM_1$ ”. The increasing ratios of the jigs 50AL represent the corresponding increment of  $JAI$  values, where the jigs'  $JMI$  values remain the same. In other words, since  $JA_3 < JA_2 < JA_1$ , and  $JM_3 = JM_2 = JM_1$ , then “ $JA_3/JM_3 < JA_2/JM_2 < JA_1/JM_1$ ”. One example of the increment level can be an increase from 5% to 20%.

The same rationale applies to the N-2 direction and the N-3 direction. For example, the N-2 direction represents increasing jig aspect ratios from jig 50AL-6 to jig 50AL-5 to jig 50AL-4, where " $JA_4/JM_4 < JA_5/JM_5 < JA_6/JM_6$ ". The increasing ratios of the jigs 50AL represent the corresponding increment of  $JAI$  values, where the  $JMI$  values remain the same. The N-3 direction represents increasing jig aspect ratios from jig 50AL-9 to jig 50AL-8 to jig 50AL-7, where " $JA_7/JM_7 < JA_8/JM_8 < JA_9/JM_9$ ". The increasing ratios of the jigs 50AL represent the corresponding increment of  $JAI$  values, where the  $JMI$  values remain the same.

As can be understood from the plot 300 depicted in FIG. 7 and discussed later in this Detailed Discussion, the E-1 direction corresponds to the sloped line joining Group 1, Group 4 and Group 7. Similarly, the E-2 direction corresponds to the sloped line joining Group 2, Group 5 and Group 8. Also, the E-3 direction corresponds to the sloped line joining Group 3, Group 6 and Group 9.

As indicated in FIG. 4A, along direction E-2, the jig aspect ratios remain the same among jigs 50AL-2, 50AL-5 and jig 50AL-8, where " $JA_2/JM_2 = JA_5/JM_5 = JA_8/JM_8$ ". However, comparing to jig 50AL-2, jig 50AL-5 is dimensioned larger and longer than jig 50AL-2. This is because the  $JA_5$  value for jig 50AL-5 increases proportionally with the increment of its  $JM_5$  value in certain degrees in all X, Y, and Z-axis directions. In a similar fashion, jig 50AL-8 is dimensioned larger and longer than jig 50AL-5 because the  $JA_8$  increases proportionally with the increment of its  $JM_8$  value in certain degrees in all X, Y, and Z-axis directions. One example of the increment can be an increase from 5% to 20%.

The same rationale applies to directions E-1 and E-3. For example, in E-3 direction the jig ratios remain the same among the jigs 50AL-3, 50AL-6 and jig 50AL-9. Compared to jig 50AL-3, jig 50AL-6 is dimensioned bigger and longer because both  $JM_6$  and  $JA_6$  values of jig 50AL-6 increase proportionally in all X, Y, and Z-axis directions. Compared to jig 50AL-6, jig 50AL-9 is dimensioned bigger and longer because both  $JM_9$  and  $JA_9$  values of jig 50AL-9 increase proportionally in all X, Y, and Z-axis.

As can be understood from FIG. 4B, a limited number of right femur jig blank sizes may be available for selection as the right femur jig blank size to be machined into the right femur cutting jig 2A. For example, in one embodiment, there are nine sizes ( $m = 9$ ) of right femur jig blanks 50AR available. As can be understood from FIG. 3, each femur jig blank 50AR has an anterior-posterior/medial-lateral aspect ratio defined as  $JAI$  to  $JMI$  (e.g., " $JAI/JMI$ " aspect ratio). Thus, as can be understood from FIG. 4B, jig blank 50AR-1 has an aspect ratio defined as " $JA_1/JM_1$ ", jig blank 50AR-2 has an aspect ratio defined as " $JA_2/JM_2$ ", jig blank 50AR-3 has an aspect ratio defined as " $JA_3/JM_3$ ", jig blank 50AR-4 has an aspect ratio defined as " $JA_4/JM_4$ ", jig blank 50AR-5 has an aspect ratio defined as " $JA_5/JM_5$ ", jig blank 50AR-6 has an aspect ratio defined as " $JA_6/JM_6$ ", jig blank 50AR-7 has an aspect ratio

defined as "JA<sub>7</sub>/JM<sub>7</sub>", jig blank 50AR-8 has an aspect ratio defined as "JA<sub>8</sub>/JM<sub>8</sub>", and jig blank 50AR-9 has an aspect ratio defined as "JA<sub>9</sub>/JM<sub>9</sub>".

The jig blank aspect ratio may be utilized to design right femur jigs 2A dimensioned specific to the patient's right femur features. In one embodiment, the jig blank aspect ratio can be the exterior dimensions of the right femur jig 2A. In another embodiment, the jig blank aspect ratio can apply to the right femur jig fabrication procedure for selecting the right jig blank 50AR having parameters close to the dimensions of the desired right femur jig 2A. This embodiment can improve the cost efficiency of the right femur jig fabrication process because it reduces the amount of machining required to create the desired jig 2 from the selected jig blank 50.

In FIG. 4B, the N-1 direction represents increasing jig aspect ratios moving from jig 50AR-3 to jig 50AR-2 to jig 50AR-1, where "JA<sub>3</sub>/JM<sub>3</sub>" < "JA<sub>2</sub>/JM<sub>2</sub>" < "JA<sub>1</sub>/JM<sub>1</sub>". The increasing ratios of the jigs 50AR represent the corresponding increment of JAI values, where the jigs' JMI values remain the same. In other words, since JA<sub>3</sub> < JA<sub>2</sub> < JA<sub>1</sub>, and JM<sub>3</sub> = JM<sub>2</sub> = JM<sub>1</sub>, then "JA<sub>3</sub>/JM<sub>3</sub>" < "JA<sub>2</sub>/JM<sub>2</sub>" < "JA<sub>1</sub>/JM<sub>1</sub>". One example of the increment level can be an increase from 5% to 20%.

The same rationale applies to the N-2 direction and the N-3 direction. For example, the N-2 direction represents increasing jig aspect ratios from jig 50AR-6 to jig 50AR-5 to jig 50AR-4, where "JA<sub>4</sub>/JM<sub>4</sub>" < "JA<sub>5</sub>/JM<sub>5</sub>" < "JA<sub>6</sub>/JM<sub>6</sub>". The increasing ratios of the jigs 50AR represent the corresponding increment of JAI values, where the JMI values remain the same. The N-3 direction represents increasing jig aspect ratios from jig 50AR-9 to jig 50AR-8 to jig 50AR-7, where "JA<sub>7</sub>/JM<sub>7</sub>" < "JA<sub>8</sub>/JM<sub>8</sub>" < "JA<sub>9</sub>/JM<sub>9</sub>". The increasing ratios of the jigs 50AR represent the corresponding increment of JAI values, where the JMI values remain the same.

As indicated in FIG. 4B, along direction E-2, the jig aspect ratios remain the same among jigs 50AR-2, 50AR-5 and jig 50AR-8, where "JA<sub>2</sub>/JM<sub>2</sub>" = "JA<sub>5</sub>/JM<sub>5</sub>" = "JA<sub>8</sub>/JM<sub>8</sub>". However, comparing to jig 50AR-2, jig 50AR-5 is dimensioned larger and longer than jig 50AR-2. This is because the JA<sub>5</sub> value for jig 50AR-5 increases proportionally with the increment of its JM<sub>5</sub> value in certain degrees in all X, Y, and Z-axis directions. In a similar fashion, jig 50AR-8 is dimensioned larger and longer than jig 50AR-5 because the JA<sub>8</sub> increases proportionally with the increment of its JM<sub>8</sub> value in certain degrees in all X, Y, and Z-axis directions. One example of the increment can be an increase from 5% to 20%.

The same rationale applies to directions E-1 and E-3. For example, in E-3 direction the jig ratios remain the same among the jigs 50AR-3, 50AR-6 and jig 50AR-9. Compared to jig 50AR-3, jig 50AR-6 is dimensioned bigger and longer because both JM<sub>6</sub> and JA<sub>6</sub> values of jig 50AR-6 increase proportionally in all X, Y, and Z-axis directions. Compared to jig

50AR-6, jig 50AR-9 is dimensioned bigger and longer because both  $JM_9$  and  $JA_9$  values of jig 50AR-9 increase proportionally in all X, Y, and Z-axis.

The dimensions of the lower or knee joint forming end 204 of the patient's femur 18 can be determined by analyzing the 3D surface model 40 or 3D arthritic model 36 in a manner similar to those discussed with respect to the jig blanks 50. For example, as depicted in FIG. 5, which is an axial view of the 3D surface model 40 or arthritic model 36 of the patient's left femur 18 as viewed in a direction extending distal to proximal, the lower end 204 of the surface model 40 or arthritic model 36 may include an anterior edge 260, a posterior edge 262, a medial edge 264, a lateral edge 266, a medial condyle 268, and a lateral condyle 270. The femur dimensions may be determined for the bottom end face or tibia articulating surface 204 of the patient's femur 18 via analyzing the 3D surface model 40 of the 3D arthritic model 36. These femur dimensions can then be utilized to configure femur jig dimensions and select an appropriate femur jig.

As shown in FIG. 5, the anterior-posterior extent fAP of the lower end 204 of the patient's femur 18 (i.e., the lower end 204 of the surface model 40 of the arthritic model 36, whether formed via open or closed-loop analysis) is the length measured from the anterior edge 262 of the femoral lateral groove to the posterior edge 260 of the femoral lateral condyle 270. The medial-lateral extent fML of the lower end 204 of the patient's femur 18 is the length measured from the medial edge 264 of the medial condyle 268 to the lateral edge 266 of the lateral condyle 270.

In one embodiment, the anterior-posterior extent fAP and medial-lateral extent fML of the femur lower end 204 can be used for an aspect ratio fAP/fML of the femur lower end. The aspect ratios fAP/fML of a large number (e.g., hundreds, thousands, tens of thousands, etc.) of patient knees can be compiled and statistically analyzed to determine the most common aspect ratios for jig blanks that would accommodate the greatest number of patient knees. This information may then be used to determine which one, two, three, etc. aspect ratios would be most likely to accommodate the greatest number of patient knees.

The system 4 analyzes the lower ends 204 of the patient's femur 18 as provided via the surface model 40 of the arthritic model 36 (whether the arthritic model 36 is an 3D surface model generated via an open-loop or a 3D volumetric solid model generated via a closed-loop process) to obtain data regarding anterior-posterior extent fAP and medial-lateral extent fML of the femur lower ends 204. As can be understood from FIG. 6, which depicts the selected model jig blank 50AL of FIG. 3C superimposed on the model femur lower end 204 of FIG. 5, the femur dimensional extents fAP, fML are compared to the jig blank dimensional extents jAP, jML to determine which jig blank model to select as the starting point for the machining process and the exterior surface model for the jig model.

As shown in FIG. 6, a prospective left femoral jig blank 50AL is superimposed to mate with the left femur lower end 204 of the patient's anatomical model as represented by the surface model 40 or arthritic model 36. The jig blank 50AL covers most of medial condyle 268 and the lateral condyle 270, leaving small exposed condyle regions including t1, t2, t3. The medial medial-lateral condyle region t1 represents the region between the medial edge 264 of the medial condyle 268 and the medial edge 246 of the jig blank 50AL. The lateral medial-lateral condyle region t2 represents the region between the lateral edge 266 of the lateral condyle 270 and the lateral edge 244 of the jig blank 50AL. The posterior anterior-posterior region t3 represents the condyle region between the posterior edge 260 of the lateral condyle 270 and the posterior edge 240 of the jig blank 50AL.

The anterior edge 242 of the jig blank 50AL extends past the anterior edge 262 of the left femur lower end 204 as indicated by anterior anterior-posterior overhang t4. Specifically, the anterior anterior-posterior overhang t4 represents the region between the anterior edge 262 of the lateral groove of femur lower end 204 and the anterior edge 242 of the jig blank 50AL. By obtaining and employing the femur anterior-posterior fAP data and the femur medial-lateral fML data, the system 4 can size the femoral jig blank 50AL according to the following formulas:  $jFML = fML - t1 - t2$  and  $jFAP = fAP - t3 + t4$ , wherein jFML is the medial-lateral extent of the femur jig blank 50AL and jFAP is the anterior-posterior extent of the femur jig blank 50AL. In one embodiment, t1, t2, t3 and t4 will have the following ranges:  $2mm \leq t1 \leq 6mm$ ;  $2mm \leq t2 \leq 6mm$ ;  $2mm \leq t3 \leq 12mm$ ; and  $15mm \leq t4 \leq 25mm$ . In another embodiment, t1, t2, t3 and t4 will have the following values:  $t1 = 3mm$ ;  $t2 = 3mm$ ;  $t3 = 6mm$ ; and  $t4 = 20mm$ .

FIG. 7A is an example scatter plot 300 for selecting from a plurality of candidate jig blanks sizes a jig blank size appropriate for the lower end 204 of the patient's femur 18. In one embodiment, the X-axis represents the patient's femoral medial-lateral length fML in millimeters, and the Y-axis represents the patient's femoral anterior-posterior length fAP in millimeters. In one embodiment, the plot is divided into a number of jig blank size groups, where each group encompasses a region of the plot 300 and is associated with specific parameters  $JM_r$ ,  $JA_r$  of a specific candidate jig blank size.

In one embodiment, the example scatter plot 300 depicted in FIG. 7A has nine jig blank size groups, each group pertaining to a single candidate jig blank size. However, depending on the embodiment, a scatter plot 300 may have a greater or lesser number of jig blank size groups. The higher the number of jig blank size groups, the higher the number of the candidate jig blank sizes and the more dimension specific a selected candidate jig blank size will be to the patient's knee features and the resulting jig 2. The more dimension specific the selected candidate jig blank size, the lower the amount of machining required to produce the desired jig 2 from the selected jig blank 50.

Conversely, the lower the number of jig blank size groups, the lower the number of candidate jig blank sizes and the less dimension specific a selected candidate jig blank size will be to the patient's knee features and the resulting jig 2. The less dimension specific the selected candidate jig blank size, the higher the amount of machining required to produce the desired jig 2 from the selected jig blank 50, adding extra roughing during the jig fabrication procedure.

As can be understood from FIG. 7A, in one embodiment, the nine jig blank size groups of the plot 300 have the parameters  $JM_r, JA_r$  as follows. Group 1 has parameters  $JM_1, JA_1$ .  $JM_1$  represents the medial-lateral extent of the first femoral jig blank size, wherein  $JM_1 = 70\text{mm}$ .  $JA_1$  represents the anterior-posterior extent of the first femoral jig blank size, wherein  $JA_1 = 70.5\text{mm}$ . Group 1 covers the patient's femur fML and fAP data wherein  $55\text{mm} < \text{fML} < 70\text{mm}$  and  $61\text{mm} < \text{fAP} < 70.5\text{mm}$ .

Group 2 has parameters  $JM_2, JA_2$ .  $JM_2$  represents the medial-lateral extent of the second femoral jig blank size, wherein  $JM_2 = 70\text{mm}$ .  $JA_2$  represents the anterior-posterior extent of the second femoral jig blank size, wherein  $JA_2 = 61.5\text{mm}$ . Group 2 covers the patient's femur fML and fAP data wherein  $55\text{mm} < \text{fML} < 70\text{mm}$  and  $52\text{mm} < \text{fAP} < 61.5\text{mm}$ .

Group 3 has parameters  $JM_3, JA_3$ .  $JM_3$  represents the medial-lateral extent of the third femoral jig blank size, wherein  $JM_3 = 70\text{mm}$ .  $JA_3$  represents the anterior-posterior extent of the third femoral jig blank size, wherein  $JA_3 = 52\text{mm}$ . Group 3 covers the patient's femur fML and fAP data wherein  $55\text{mm} < \text{fML} < 70\text{mm}$  and  $40\text{mm} < \text{fAP} < 52\text{mm}$ .

Group 4 has parameters  $JM_4, JA_4$ .  $JM_4$  represents the medial-lateral extent of the fourth femoral jig blank size, wherein  $JM_4 = 85\text{mm}$ .  $JA_4$  represents the anterior-posterior extent of the fourth femoral jig blank size, wherein  $JA_4 = 72.5\text{mm}$ . Group 4 covers the patient's femur fML and fAP data wherein  $70\text{mm} < \text{fML} < 85\text{mm}$  and  $63.5\text{mm} < \text{fAP} < 72.5\text{mm}$ .

Group 5 has parameters  $JM_5, JA_5$ .  $JM_5$  represents the medial-lateral extent of the fifth femoral jig blank size, wherein  $JM_5 = 85\text{mm}$ .  $JA_5$  represents the anterior-posterior extent of the fifth femoral jig blank size, wherein  $JA_5 = 63.5\text{mm}$ . Group 5 covers the patient's femur fML and fAP data wherein  $70\text{mm} < \text{fML} < 85\text{mm}$  and  $55\text{mm} < \text{fAP} < 63.5\text{mm}$ .

Group 6 has parameters  $JM_6, JA_6$ .  $JM_6$  represents the medial-lateral extent of the sixth femoral jig blank size, wherein  $JM_6 = 85\text{mm}$ .  $JA_6$  represents the anterior-posterior extent of the sixth femoral jig blank size, wherein  $JA_6 = 55\text{mm}$ . Group 6 covers the patient's femur fML and fAP data wherein  $70\text{mm} < \text{fML} < 85\text{mm}$  and  $40\text{mm} < \text{fAP} < 55\text{mm}$ .

Group 7 has parameters  $JM_7, JA_7$ .  $JM_7$  represents the medial-lateral extent of the seventh femoral jig blank size, wherein  $JM_7 = 100\text{mm}$ .  $JA_7$  represents the anterior-posterior extent of the seventh femoral jig blank size, wherein  $JA_7 = 75\text{mm}$ . Group 7 covers the patient's femur fML and fAP data wherein  $85\text{mm} < \text{fML} < 100\text{mm}$  and  $65\text{mm} < \text{fAP} < 75\text{mm}$ .



Group 8 has parameters  $JM_8$ ,  $JA_8$ .  $JM_8$  represents the medial-lateral extent of the eighth femoral jig blank size, wherein  $JM_8 = 100\text{mm}$ .  $JA_8$  represents the anterior-posterior extent of the eighth femoral jig blank size, wherein  $JA_8 = 65\text{mm}$ . Group 8 covers the patient's femur fML and fAP data wherein  $85\text{mm} < \text{fML} < 100\text{mm}$  and  $57.5\text{mm} < \text{fAP} < 65\text{mm}$ .

5 Group 9 has parameters  $JM_9$ ,  $JA_9$ .  $JM_9$  represents the medial-lateral extent of the ninth femoral jig blank size, wherein  $JM_9 = 100\text{mm}$ .  $JA_9$  represents the anterior-posterior extent of the ninth femoral jig blank size, wherein  $JA_9 = 57.5\text{mm}$ . Group 9 covers the patient's femur fML and fAP data wherein  $85\text{mm} < \text{fML} < 100\text{mm}$  and  $40\text{mm} < \text{fAP} < 57.5\text{mm}$ .

10 As can be understood from FIG. 7B, which is a flow diagram illustrating an embodiment of a process of selecting an appropriately sized jig blank, bone anterior-posterior and medial-lateral extents fAP, fML are determined for the lower end 204 of the surface model 40 of the arthritic model 36 [block 2000]. The bone extents fAP, fML of the lower end 204 are mathematically modified according to the above discussed jFML and jFAP  
15 formulas to arrive at the minimum femur jig blank anterior-posterior extent jFAP and medial-lateral extent jFML [block 2010]. The mathematically modified bone extents fAP, fML or, more specifically, the minimum femur jig blank anterior-posterior and medial-lateral extents jFAP, jFML are referenced against the jig blank dimensions in the plot 300 of FIG. 7A [block 2020]. The plot 300 may graphically represent the extents of candidate femur jig blanks  
20 forming a jig blank library. The femur jig blank 50A is selected to be the jig blank size having the smallest extents that are still sufficiently large to accommodate the minimum femur jig blank anterior-posterior and medial-lateral extents jFAP, jFML [block 2030].

In one embodiment, the exterior of the selected jig blank size is used for the exterior surface model of the jig model, as discussed below. In one embodiment, the selected jig  
25 blank size corresponds to an actual jig blank that is placed in the CNC machine and milled down to the minimum femur jig blank anterior-posterior and medial-lateral extents jFAP, jFML to machine or otherwise form the exterior surface of the femur jig 2A.

The method outlined in FIG. 7B and in reference to the plot 300 of FIG. 7A can be further understood from the following example. As measured in FIG. 6 with respect to the  
30 lower end 204 of the patient's femur 18, the extents of the patient's femur are as follows:  $\text{fML} = 79.2\text{mm}$  and  $\text{fAP} = 54.5\text{mm}$  [block 2000]. As previously mentioned, the lower end 204 may be part of the surface model 40 of the arthritic model 36. Once the fML and fAP measurements are determined from the lower end 204, the corresponding jig jFML data and jig jFAP data can be determined via the above-described jFML and jFAP formulas:  $\text{jFML} =$   
35  $\text{fML} - t_1 - t_2$ , wherein  $t_1 = 3\text{mm}$  and  $t_2 = 3\text{mm}$ ; and  $\text{jFAP} = \text{fAP} - t_3 + t_4$ , wherein  $t_3 = 6\text{mm}$  and  $t_4 = 20\text{mm}$  [block 2010]. The result of the jFML and jFAP formulas is  $\text{jFML} = 73.2\text{mm}$  and  $\text{jFAP} = 68.5\text{mm}$ .

As can be understood from the plot 300 of FIG. 7, the determined jig data (i.e.,  $jFML = 73.2\text{mm}$  and  $jFAP = 68.5\text{mm}$ ) falls in Group 4 of the plot 300. Group 4 has the predetermined femur jig blank parameters ( $JM_4, JA_4$ ) of  $JM_4 = 85\text{mm}$  and  $JA_4 = 72.5\text{mm}$ . These predetermined femur jig blank parameters are the smallest of the various groups that are still sufficiently large to meet the minimum femur blank extents  $jFAP, jFML$  [block 2020].  
5 These predetermined femur jig blank parameters ( $JM_4 = 85\text{mm}$  and  $JA_4 = 72.5\text{mm}$ ) may be selected as the appropriate femur jig blank size [block 2030].

In one embodiment, the predetermined femur jig blank parameters (85mm, 72.5mm) can apply to the femur exterior jig dimensions as shown in FIG. 3C. In other words, the jig  
10 blank exterior is used for the jig model exterior as discussed with respect to FIGS. 8A-9C. Thus, the exterior of the femur jig blank 50A undergoes no machining, and the unmodified exterior of the jig blank 50A with its predetermined jig blank parameters (85mm, 72.5mm) serves as the exterior of the finished femur jig 2A.

In another embodiment, the femur jig blank parameters (85mm, 72.5mm) can be  
15 selected for jig fabrication in the machining process. Thus, a femur jig blank 50A having predetermined parameters (85mm, 72.5mm) is provided to the machining process such that the exterior of the femur jig blank 50A will be machined from its predetermined parameters (85mm, 72.5mm) down to the desired femur jig parameters (73.2, 68.5mm) to create the finished exterior of the femur jig 2A. As the predetermined parameters (85mm, 72.5mm) are  
20 selected to be relatively close to the desired femur jig parameters (73.2, 68.5mm), machining time and material waste are reduced.

While it may be advantageous to employ the above-described jig blank selection method to minimize material waste and machining time, in some embodiments, a jig blank will simply be provided that is sufficiently large to be applicable to all patient bone extents  
25  $fAP, fML$ . Such a jig blank is then machined down to the desired jig blank extents  $jFAP, jFML$ , which serve as the exterior surface of the finished jig 2A.

In one embodiment, the number of candidate jig blank size groups represented in the plot 300 is a function of the number of jig blank sizes offered by a jig blank manufacturer. For example, a first plot 300 may pertain only to jig blanks manufactured by company A,  
30 which offers nine jig blank sizes. Accordingly, the plot 300 has nine jig blank size groups. A second plot 300 may pertain only to jig blanks manufactured by company B, which offers twelve jig blank size groups. Accordingly, the second plot 300 has twelve jig blank size groups.

A plurality of candidate jig blank sizes exist, for example, in a jig blank library as  
35 represented by the plot 300 of FIG. 7B. While each candidate jig blank may have a unique combination of anterior-posterior and medial-lateral dimension sizes, in some embodiments, two or more of the candidate jig blanks may share a common aspect ratio  $jAP/jML$  or

configuration. The candidate jig blanks of the library may be grouped along sloped lines of the plot 300 according to their aspect ratios  $jAP/jML$ .

In one embodiment, the jig blank aspect ratio  $jAP/jML$  may be used to take a workable jig blank configuration and size it up or down to fit larger or smaller individuals.

5 As can be understood from FIG. 7A, a series of 98 OA patients having knee disorders were entered into the plot 300 as part of a femur jig design study. Each patient's femur  $fAP$  and  $fML$  data was measured and modified via the above-described  $jFML$  and  $jFAP$  formulas to arrive at the patient's jig blank data ( $jFML$ ,  $jFAP$ ). The patient's jig blank data was then entered into the plot 300 as a point. As can be understood from FIG. 7A, no  
10 patient point lies outside the parameters of an available group. Such a process can be used to establish group parameters and the number of needed groups.

In one embodiment, the selected jig blank parameters can be the femoral jig exterior dimensions that are specific to patient's knee features. In another embodiment, the selected jig blank parameters can be chosen during fabrication process.

15 e. Formation of 3D Femoral Jig Model.

For a discussion of an embodiment of a method of generating a 3D femur jig model 346 generally corresponding to the "integrated jig data" 48 discussed with respect to [block 150] of FIG. 1E, reference is made to FIGS. 3A-3C, FIGS. 8A-8B, FIGS. 9A-9C and FIG. 10A-10B. FIGS. 3A-3C are various views of a femur jig blank 50A. FIGS. 8A-8B are,  
20 respectively, exterior and interior perspective views of a femur jig blank exterior surface model 232M. FIGS. 9A and 9B are exterior perspective views of the jig blank exterior model 232M and bone surface model 40 being combined, and FIG. 9C is a cross section through the combined models 232M, 40 as taken along section line 9C-9C in FIG. 9B. FIGS. 10A and 10B are, respectively, exterior and interior perspective views of the resulting femur jig  
25 model 346 after having "saw cut and drill hole data" 44 integrated into the jig model 346 to become an integrated or complete jig model 348 generally corresponding to the "integrated jig data" 48 discussed with respect to [block 150] of FIG. 1E.

As can be understood from FIGS. 3A-3C, the jig blank 50A, which has selected predetermined dimensions as discussed with respect to FIG. 7, includes an interior surface  
30 230 and an exterior surface 232. The exterior surface model 232M depicted in FIGS. 8A and 8B is extracted or otherwise created from the exterior surface 232 of the jig blank model 50A. Thus, the exterior surface model 232M is based on the jig blank aspect ratio of the femur jig blank 50A selected as discussed with respect to FIG. 7 and is dimensioned specific to the patient's knee features. The femoral jig surface model 232M can be extracted or  
35 otherwise generated from the jig blank model 50A of FIGS. 3A-3C by employing any of the computer surface rendering techniques described above.

As can be understood from FIGS. 9A-9C, the exterior surface model 232M is combined with the femur surface model 40 to respectively form the exterior and interior surfaces of the femur jig model 346. The femur surface model 40 represents the interior or mating surface of the femur jig 2A and corresponds to the femur arthroplasty target area 42. Thus, the model 40 allows the resulting femur jig 2A to be indexed to the arthroplasty target area 42 of the patient's femur 18 such that the resulting femur jig 2A will matingly receive the arthroplasty target area 42 during the arthroplasty procedure. The two surface models 232M, 40 combine to provide a patient-specific jig model 346 for manufacturing the femur jig 2A.

As can be understood from FIGS. 9B and 9C, once the models 232M, 40 are properly aligned, a gap will exist between the two models 232M, 40. An image sewing method or image sewing tool is applied to the aligned models 232M, 40 to join the two surface models together to form the 3D computer generated jig model 346 of FIG. 9B into a single-piece, joined-together, and filled-in jig model 346 similar in appearance to the integrated jig model 348 depicted in FIGS. 10A and 10B. In one embodiment, the jig model 346 may generally correspond to the description of the "jig data" 46 discussed with respect [block 145] of FIG. 1E.

As can be understood from FIGS. 9B and 9C, the geometric gaps between the two models 232M, 40, some of which are discussed below with respect to thicknesses  $P_1$ ,  $P_2$  and  $P_3$ , may provide certain space between the two surface models 232M, 40 for slot width and length and drill bit length for receiving and guiding cutting tools during TKA surgery. Because the resulting femur jig model 348 depicted in FIGS. 10A and 10B may be a 3D volumetric model generated from 3D surface models 232M, 40, a space or gap should be established between the 3D surface models 232M, 40. This allows the resulting 3D volumetric jig model 348 to be used to generate an actual physical 3D volumetric femur jig 2.

In some embodiments, the image processing procedure may include a model repair procedure for repairing the jig model 346 after alignment of the two models 232M, 40. For example, various methods of the model repairing include, but are not limit to, user-guided repair, crack identification and filling, and creating manifold connectivity, as described in: Nooruddin et al., *Simplification and Repair of Polygonal Models Using Volumetric Techniques* (IEEE Transactions on Visualization and Computer Graphics, Vol.9, No.2, April-June 2003); C. Erikson, *Error Correction of a Large Architectural Model: The Henderson County Courthouse* ( Technical Report TR95-013, Dept. of Computer Science, Univ. of North Carolina at Chapel Hill, 1995); D. Khorramabdi, *A Walk through the Planned CS Building* ( Technical Report UCB/CSD 91/652, Computer Science Dept., Univ. of California at Berkeley, 1991); Morvan et al., *IVECS: An Interactive Virtual Environment for the Correction of .STL files* (Proc. Conf. Virtual Design, Aug. 1996); Bohn et al., *A Topology-Based Approach for Shell-Closure*, Geometric Modeling for Product Realization, (P.R. Wilson et al.,

pp. 297-319, North-Holland, 1993); Barequet et al., *Filling Gaps in the Boundary of a Polyhedron*, Computer Aided Geometric Design (vol. 12, no. 2, pp. 207-229, 1995); Barequet et al., *Repairing CAD Models* (Proc. IEEE Visualization '97, pp. 363-370, Oct. 1997); and Gueziec et al., *Converting Sets of Polygons to Manifold Surfaces by Cutting and*  
5 *Stitching*, (Proc. IEEE Visualization 1998, pp. 383-390, Oct. 1998). Each of these references is incorporated into this Detailed Description in their entireties.

As can be understood from FIGS. 10A and 10B, the integrated jig model 348 may include several features based on the surgeon's needs. For example, the jig model 348 may include a slot feature 30 for receiving and guiding a bone saw and drill holes 32 for receiving  
10 and guiding bone drill bits. As can be understood from FIGS. 9B and 9C, to provide sufficient structural integrity to allow the resulting femur jig 2A to not buckle or deform during the arthroplasty procedure and to adequately support and guide the bone saw and drill bits, the gap 350 between the models 232M, 40 may have the following offsets  $P_1$ ,  $P_2$ , and  $P_3$ .

As can be understood from FIGS. 9B-10B, in one embodiment, thickness  $P_1$  extends  
15 along the length of the anterior drill holes 32A between the models 232M, 40 and is for supporting and guiding a bone drill received therein during the arthroplasty procedure. Thickness  $P_1$  may be at least approximately four millimeters or at least approximately five millimeters thick. The diameter of the anterior drill holes 32A may be configured to receive a cutting tool of at least one-third inches.

20 Thickness  $P_2$  extends along the length of a saw slot 30 between the models 232M, 40 and is for supporting and guiding a bone saw received therein during the arthroplasty procedure. Thickness  $P_2$  may be at least approximately 10mm or at least 15mm thick.

Thickness  $P_3$  extends along the length of the posterior drill holes 32P between the  
25 models 232M, 40 and is for supporting and guiding a bone drill received therein during the arthroplasty procedure. Thickness  $P_3$  may be at least approximately five millimeters or at least eight millimeters thick. The diameter of the drill holes 32 may be configured to receive a cutting tool of at least one-third inches.

In addition to providing sufficiently long surfaces for guiding drill bits or saws received therein, the various thicknesses  $P_1$ ,  $P_2$ ,  $P_2$  are structurally designed to enable the femur jig  
30 2A to bear vigorous femur cutting, drilling and reaming procedures during the TKR surgery.

As indicated in FIGS. 10A and 10B, the integrated jig model 348 may include:  
feature 400 that matches the patient's distal portion of the medial condyle cartilage; feature 402 that matches the patient's distal portion of the lateral condyle cartilage; projection 404 that can be configured as a contact or a hook and may securely engage the resulting jig 2A  
35 onto the patient's anterior femoral joint surface during the TKR surgery; and the flat surface 406 that provides a blanked labeling area for listing information regarding the patient, surgeon or/and the surgical procedure. Also, as discussed above, the integrated jig model

348 may include the saw cut slot 30 and the drill holes 32. The inner portion or side 100 of the jig model 348 (and the resulting femur jig 2A) is the femur surface model 40, which will matingly receive the arthroplasty target area 42 of the patient's femur 18 during the arthroplasty procedure.

5 As can be understood by referring to [block 105] of FIG. 1B and FIGS. 2A-2F, in one embodiment when cumulating the image scans 16 to generate the one or the other of the models 40, 22, the models 40, 22 are referenced to point P, which may be a single point or a series of points, etc. to reference and orient the models 40, 22 relative to the models 22, 28 discussed with respect to FIG. 1C and utilized for POP. Any changes reflected in the  
10 models 22, 28 with respect to point P (e.g., point P becoming point P') on account of the POP is reflected in the point P associated with the models 40, 22 (see [block 135] of FIG. 1D). Thus, as can be understood from [block 140] of FIG. 1D and FIGS. 9A-9C, when the jig blank exterior surface model 232M is combined with the surface model 40 (or a surface model developed from the arthritic model 22) to create the jig model 346, the jig model 346  
15 is referenced and oriented relative to point P' and is generally equivalent to the "jig data" 46 discussed with respect to [block 145] of FIG. 1E.

Because the jig model 346 is properly referenced and oriented relative to point P', the "saw cut and drill hole data" 44 discussed with respect to [block 125] of FIG. 1E can be properly integrated into the jig model 346 to arrive at the integrated jig model 348 depicted in  
20 FIGS. 10A-10B. The integrated jig model 348 includes the saw cuts 30, drill holes 32 and the surface model 40. Thus, the integrated jig model 348 is generally equivalent to the "integrated jig data" 48 discussed with respect to [block 150] of FIG. 1E.

As can be understood from FIG. 11, which illustrates a perspective view of the integrated jig model 348 mating with the "arthritic model" 22, the interior surface 40 of the jig  
25 model 348 matingly receives the arthroplasty target area 42 of the femur lower end 204 such that the jig model 348 is indexed to mate with the area 42. Because of the referencing and orientation of the various models relative to the points P, P' throughout the procedure, the saw cut slot 30 and drill holes 32 are properly oriented to result in saw cuts and drill holes that allow a resulting femur jig 2A to restore a patient's joint to a pre-degenerated condition.

30 As indicated in FIG. 11, the integrated jig model 348 may include a jig body 500, a projection 502 on one side, and two projections 504, 506 the other side of jig body 500. The projections 504, 506 match the medial and lateral condyle cartilage. The projections 502, 504, 506 extend integrally from the two opposite ends of the jig body 500.

As can be understood from [blocks 155-165] of FIG. 1E, the integrated jig 348 or,  
35 more specifically, the integrated jig data 48 can be sent to the CNC machine 10 to machine the femur jig 2A from the selected jig blank 50A. For example, the integrated jig data 48 may be used to produce a production file that provides automated jig fabrication instructions

to a rapid production machine 10, as described in the various Park patent applications referenced above. The rapid production machine 10 then fabricates the patient-specific arthroplasty femur jig 2A from the femur jig blank 50A according to the instructions.

The resulting femur jig 2A may have the features of the integrated jig model 348.

5 Thus, as can be understood from FIG. 11, the resulting femur jig 2A may have the slot 30 and the drilling holes 32 formed on the projections 502, 504, 506, depending on the needs of the surgeon. The drilling holes 30 are configured to prevent the possible IR/ER (internal/external) rotational axis misalignment between the femoral cutting jig 2A and the patient's damaged joint surface during the distal femur cut portion of the TKR procedure.

10 The slot 30 is configured to accept a cutting instrument, such as a reciprocating saw blade for transversely cutting during the distal femur cut portion of the TKR.

f. Defining a 3D Surface Model of an Arthroplasty Target Area of a Tibia Upper End for Use as a Surface of an Interior Portion of a Tibia Arthroplasty Cutting Jig.

For a discussion of a method of generating a 3D model 40 of a target area 42 of a  
15 damaged upper end 604 of a patient's tibia 20, reference is made to FIGS. 12A-12C. FIG. 12A is an anterior-posterior ("AP") image slice 608 of the damaged upper or knee joint end 604 of the patient's tibia 20, wherein the image slice 608 includes an open-loop contour line segment 610 corresponding to the target area 42 of the damaged upper end 604. FIG. 12B is a plurality of image slices (16-1, 16-1, 16-2, ... 16-n) with their respective open-loop  
20 contour line segments (610-1, 610-2, ... 610-n), the open-loop contour line segments 610 being accumulated to generate the 3D model 40 of the target area 42. FIG. 12C is a 3D model 40 of the target area 42 of the damaged upper end 604 as generated using the open-loop contour line segments (16-1, 16-2, ... 16-n) depicted in FIG. 12B.

As can be understood from FIGS. 1A, 1B and 12A, the imager 120 is used to  
25 generate a 2D image slice 16 of the damaged upper or knee joint end 604 of the patient's tibia 20. As depicted in FIG. 12A, the 2D image 16 may be an AP view of the tibia 20. Depending on whether the imager 10 is a MRI or CT imager, the image slice 16 will be a MRI or CT slice. The damaged upper end 604 includes the tibia plateau 612, an anterior tibia shaft surface 614, and an area of interest or targeted area 42 that extends along the  
30 tibia meniscus starting from a portion of the lateral tibia plateau surface to the anterior tibia surface 614. The targeted area 42 of the tibia upper end may be the articulating contact surfaces of the tibia upper end that contact corresponding articulating contact surfaces of the femur lower or knee joint end.

As shown in FIG. 12A, the image slice 16 may depict the cancellous bone 616, the  
35 cortical bone 618 surrounding the cancellous bone, and the articular cartilage lining portions of the cortical bone 618. The contour line 610 may extend along the targeted area 42 and immediately adjacent the cortical bone and cartilage to outline the contour of the targeted

area 42 of the tibia upper end 604. The contour line 610 extends along the targeted area 42 starting at point C on the lateral or medial tibia plateau 612 (depending on whether the slice 16 extends through the lateral or medial portion of the tibia) and ends at point D on the anterior tibia shaft surface 614.

5 In one embodiment, as indicated in FIG. 12A, the contour line 610 extends along the targeted area 42, but not along the rest of the surface of the tibia upper end 604. As a result, the contour line 610 forms an open-loop that, as will be discussed with respect to FIGS. 12B and 12C, can be used to form an open-loop region or 3D computer model 40, which is discussed with respect to [block 140] of FIG. 1D and closely matches the 3D  
10 surface of the targeted area 42 of the tibia upper end. Thus, in one embodiment, the contour line is an open-loop and does not outline the entire cortical bone surface of the tibia upper end 604. Also, in one embodiment, the open-loop process is used to form from the 3D images 16 a 3D surface model 36 that generally takes the place of the arthritic model 36 discussed with respect to [blocks 125-140] of FIG. 1D and which is used to create the  
15 surface model 40 used in the creation of the "jig data" 46 discussed with respect to [blocks 145-150] of FIG. 1E.

In one embodiment and in contrast to the open-loop contour line 610 depicted in FIGS. 12A and 12B, the contour line is a closed-loop contour line generally the same as the closed-loop contour line 210' discussed with respect to FIGS. 2D-2E, except the closed-loop  
20 contour line pertains to a tibia instead of a femur. Like the femur closed-loop contour line discussed with respect to FIG. 2D, a tibia closed-loop contour line may outline the entire cortical bone surface of the tibia upper end and results in a closed-loop area. The tibia closed-loop contour lines are combined in a manner similar that discussed with respect to the femur contour lines in FIG. 2E. As a result, the tibia closed-loop area may require the  
25 analysis of the entire surface region of the tibia upper end 604 and result in the formation of a 3D model of the entire tibia upper end 604 in a manner similar to the femur upper end 204 illustrated in FIG. 2F. Thus, the 3D surface model resulting from the tibia closed-loop process ends up having in common much, if not all, the surface of the 3D tibia arthritic model 36. In one embodiment, the tibia closed-loop process may result in a 3D volumetric  
30 anatomical joint solid model from the 2D images 16 via applying mathematical algorithms. U.S. Patent 5,682, 886, which was filed December 26, 1995 and is incorporated by reference in its entirety herein, applies a snake algorithm forming a continuous boundary or closed-loop. After the tibia has been outlined, a modeling process is used to create the 3D surface model, for example, through a Bezier patches method. Other 3D modeling  
35 processes, e.g., commercially-available 3D construction software as listed in other parts of this Detailed Description, are applicable to 3D surface model generation for closed-loop, volumetric solid modeling.



In one embodiment, the closed-loop process is used to form from the 3D images 16 a 3D volumetric solid model 36 that is essentially the same as the arthritic model 36 discussed with respect to [blocks 125-140] of FIG. 1D. The 3D volumetric solid model 36 is used to create the surface model 40 used in the creation of the "jig data" 46 discussed with respect to [blocks 145-150] of FIG. 1E.

The formation of a 3D volumetric solid model of the entire tibia upper end employs a process that may be much more memory and time intensive than using an open-loop contour line to create a 3D model of the targeted area 42 of the tibia upper end.

Accordingly, although the closed-loop methodology may be utilized for the systems and methods disclosed herein, for at least some embodiments, the open-loop methodology may be preferred over the closed-loop methodology.

An example of a closed-loop methodology is disclosed in U.S. Patent Application 11/641,569 to Park, which is entitled "Improved Total Joint Arthroplasty System" and was filed January 19, 2007. This application is incorporated by reference in its entirety into this Detailed Description.

As can be understood from FIGS. 12B and 2G, the imager 10 generates a plurality of image slices (16-1, 16-2 ... 16-n) via repetitive imaging operations [block 1000]. Each image slice 16 has an open-loop contour line (610-1, 610-2 ... 610-n) extending along the targeted region 42 in a manner as discussed with respect to FIG. 12A [block 1005]. In one embodiment, each image slice is a two-millimeter 2D image slice 16. The system 100 compiles the plurality of 2D image slices (16-1, 16-2 ... 16-n) and, more specifically, the plurality of open-loop contour lines (610-1, 610-2, ... 610-n) into the 3D femur surface computer model 40 depicted in FIG. 12C [block 1010]. This process regarding the generation of the surface model 40 is also discussed in the overview section with respect to [blocks 100-105] of FIG. 1B and [blocks 130-140] of FIG. 1D. A similar process may be employed with respect to tibia closed-loop contour lines

As can be understood from FIG. 12C, the 3D tibia surface computer model 40 is a 3D computer representation of the targeted region 42 of the tibia upper end. In one embodiment, the 3D representation of the targeted region 42 is a 3D representation of the articulated femur contact surfaces of the tibia proximal end. As the open-loop generated 3D model 40 is a surface model of the relevant femur contacting portions of the tibia upper end, as opposed to a 3D model of the entire surface of the tibia upper end as would be a result of a closed-loop contour line, the open-loop generated 3D model 40 is less time and memory intensive to generate.

In one embodiment, the open-loop generated 3D model 40 is a surface model of the femur facing end face of the tibia upper end, as opposed a 3D model of the entire surface of the tibia upper end. The 3D model 40 can be used to identify the area of interest or targeted

region 42, which, as previously stated, may be the relevant femur contacting portions of the tibia upper end. Again, the open-loop generated 3D model 40 is less time and memory intensive to generate as compared to a 3D model of the entire surface of the tibia proximal end, as would be generated by a closed-loop contour line. Thus, for at least some versions of the embodiments disclosed herein, the open-loop contour line methodology is preferred over the closed-loop contour line methodology. However, the system 4 and method disclosed herein may employ either the open-loop or closed-loop methodology and should not be limited to one or the other.

Regardless of whether the 3D model 40 is a surface model of the targeted region 42 (i.e., a 3D surface model generated from an open-loop process and acting as the arthritic model 22) or the entire femur facing end face of the tibia upper end (i.e., a 3D volumetric solid model generated from a closed-loop process and acting as the arthritic model 22), the data pertaining to the contour lines 610 can be converted into the 3D contour computer model 40 via the surface rendering techniques disclosed in any of the aforementioned U.S. patent applications to Park. For example, surface rendering techniques employed include point-to-point mapping, surface normal vector mapping, local surface mapping, and global surface mapping techniques. Depending on the situation, one or a combination of mapping techniques can be employed.

In one embodiment, the generation of the 3D model 40 depicted in FIG.12C may be formed by using the image slices 16 to determine location coordinate values of each of a sequence of spaced apart surface points in the open-loop region of FIG.12B. A mathematical model may then be used to estimate or compute the 3D model 40 in FIG.12C. Examples of other medical imaging computer programs that may be used include, but are not limited to: Analyze from AnalyzeDirect, Inc. of Overland Park, KS; open-source software such as Paraview of Kitware, Inc.; Insight Toolkit ("ITK") available at [www.itk.org](http://www.itk.org); 3D Slicer available at [www.slicer.org](http://www.slicer.org); and Mimics from Materialise of Ann Arbor, MI.

Alternatively or additionally to the aforementioned systems for generating the 3D model 40 depicted in FIG. 12C, other systems for generating the 3D model 40 of FIG. 12C include the surface rendering techniques of the Non-Uniform Rational B-spline ("NURB") program or the Bézier program. Each of these programs may be employed to generate the 3D contour model 40 from the plurality of contour lines 610.

In one embodiment, the NURB surface modeling technique is applied to the plurality of image slices 16 and, more specifically, the plurality of open-loop contour lines 610 of FIG.2B. The NURB software generates a 3D model 40 as depicted in FIG. 12C, wherein the 3D model 40 has areas of interest or targeted regions 42 that contain both a mesh and its control points. For example, see Ervin et al., *Landscape Modeling*, McGraw-Hill, 2001, which is hereby incorporated by reference in its entirety into this Detailed Description.

In one embodiment, the NURB surface modeling technique employs the following

$$G(s, t) = \frac{\sum_{i=0}^{k1} \sum_{j=0}^{k2} W(i, j) P(i, j) b_i(s) b_j(t)}{\sum_{i=0}^{k1} \sum_{j=0}^{k2} W(i, j) b_i(s) b_j(t)}$$

surface equation:

, wherein  $P(i, j)$  represents a matrix

of vertices with n rows =  $(k1+1)$  and n cols =  $(k2+1)$ ,  $W(i, j)$  represents a matrix of vertex

weights of one per vertex point,  $b_i(s)$  represents a row-direction basis or blending of

5 polynomial functions of degree M1,  $b_j(t)$  represents a column-direction basis or blending polynomial functions of degree M2,  $s$  represents a parameter array of row-direction knots, and  $t$  represents a parameter array of column-direction knots.

In one embodiment, the Bézier surface modeling technique employs the Bézier equation (1972, by Pierre Bézier) to generate a 3D model 40 as depicted in FIG.12C,

10 wherein the model 40 has areas of interest or targeted regions 42. A given Bézier surface of order  $(n, m)$  is defined by a set of  $(n + 1)(m + 1)$  control points  $k_{i,j}$ . It maps the unit square into a smooth-continuous surface embedded within a space of the same dimensionality as  $(k_{i,j})$ . For example, if  $k$  are all points in a four-dimensional space, then the surface will be within a four-dimensional space. This relationship holds true for a one-dimensional space, a

15 two-dimensional space, a fifty-dimensional space, etc.

A two-dimensional Bézier surface can be defined as a parametric surface where the position of a point  $p$  as a function of the parametric coordinates  $u, v$  is given by:

$$\mathbf{p}(u, v) = \sum_{i=0}^n \sum_{j=0}^m B_i^n(u) B_j^m(v) \mathbf{k}_{i,j}$$

evaluated over the unit square, where

$$B_i^n(u) = \binom{n}{i} u^i (1-u)^{n-i} \quad \text{is a Bernstein polynomial and} \quad \binom{n}{i} = \frac{n!}{i! * (n-i)!} \quad \text{is the}$$

20 binomial coefficient. See Grune et al, *On Numerical Algorithm and Interactive Visualization for Optimal Control Problems*, Journal of Computation and Visualization in Science, Vol. 1, No. 4, July 1999, which is hereby incorporated by reference in its entirety into this Detailed Description.

Various other surface rendering techniques are disclosed in other references. For

25 example, see the surface rendering techniques disclosed in the following publications: Lorensen et al., *Marching Cubes: A high Resolution 3d Surface Construction Algorithm*, Computer Graphics, 21-3: 163-169, 1987; Farin et al., *NURB Curves & Surfaces: From Projective Geometry to Practical Use*, Wellesley, 1995; Kumar et al, *Robust Incremental Polygon Triangulation for Surface Rendering*, WSCG, 2000; Fleischer et al., *Accurate*

30 *Polygon Scan Conversion Using Half-Open Intervals*, Graphics Gems III, p. 362-365, code: p. 599-605, 1992; Foley et al., *Computer Graphics: Principles and Practice*, Addison Wesley,

1990; Glassner, *Principles of Digital Image Synthesis*, Morgan Kaufmann, 1995, all of which are hereby incorporated by reference in their entireties into this Detailed Description.

g. Selecting a Jig Blank Most Similar in Size and/or Configuration to the Size of the Patient's Tibia Upper End.

5 As mentioned above, an arthroplasty jig 2, such as a tibia jig 2B includes an interior portion 104 and an exterior portion 106. The tibia jig 2B is formed from a tibia jig blank 50B, which, in one embodiment, is selected from a finite number of femur jig blank sizes. The selection of the tibia jig blank 50B is based on a comparison of the dimensions of the patient's tibia upper end 604 to the dimensions and/or configurations of the various sizes of  
10 tibia jig blanks 50B to select the tibia jig blank 50B most closely resembling the patient's tibia upper end 604 with respect to size and/or configuration. This selected tibia jig blank 50B has an outer or exterior side or surface 632 that forms the exterior portion 632 of the tibia jig 2B. The 3D surface computer model 40 discussed with respect to the immediately preceding section of this Detail Description is used to define a 3D surface 40 into the interior  
15 side 630 of the computer model of a tibia jig blank 50B.

By selecting a tibia jig blank 50B with an exterior portion 632 close in size to the patient's upper tibia end 604, the potential for an accurate fit between the interior portion 630 and the patient's tibia is increased. Also, the amount of material that needs to be machined or otherwise removed from the jig blank 50B is reduced, thereby reducing material waste  
20 and manufacturing time.

For a discussion of a method of selecting a jig blank 50 most closely corresponding to the size and/or configuration of the patient's upper tibia end, reference is first made to FIGS. 13A-14B. FIG. 13A is a top perspective view of a right tibia cutting jig blank 50BR having predetermined dimensions. FIG. 13B is a bottom perspective view of the jig blank  
25 50BR depicted in FIG. 13A. FIG. 13C is plan view of an exterior side or portion 232 of the jig blank 50BR depicted in FIG. 13A. FIG. 14A is a plurality of available sizes of right tibia jig blanks 50BR, each depicted in the same view as shown in FIG. 13C. FIG. 14B is a plurality of available sizes of left tibia jig blanks, each depicted in the same view as shown in FIG.  
30 13C.

A common jig blank 50, such as the right jig blank 50BR depicted in FIGS. 13A-13C and intended for creation of a right tibia jig that can be used with a patient's right tibia, may include a medial tibia foot projection 648 for mating with the medial tibia plateau, a lateral tibia foot projection 650 for mating with the lateral tibia plateau, a posterior edge 640, an anterior edge 642, a lateral edge 644, a medial edge 646, the exterior side 632 and the  
35 interior side 630. The jig blank 50BR of FIGS. 13A-13C may be any one of a number of right tibia jig blanks 50BR available in a limited number of standard sizes. For example, the jig

blank 50BR of FIGS. 13A-13C may be an  $i$ -th right tibia jig blank, where  $i = 1, 2, 3, 4, \dots, m$  and  $m$  represents the maximum number of right tibia jig blank sizes.

As indicated in FIG. 13C, the anterior-posterior extent  $TA_i$  of the jig blank 50BR is measured from the anterior edge 642 to the posterior edge 640 of the jig blank 50BR. The medial-lateral extent  $TM_i$  of the jig blank 50BR is measured from the lateral edge 644 to the medial edge 646 of the jig blank 50BR.

As can be understood from FIG. 14A, a limited number of right tibia jig blank sizes may be available for selection as the right tibia jig blank size to be machined into the right tibia cutting jig 2B. For example, in one embodiment, there are three sizes ( $m = 3$ ) of right tibia jig blanks 50BR available. As can be understood from FIG. 13C, each tibia jig blank 50BR has an anterior-posterior/medial-lateral aspect ratio defined as  $TA_i$  to  $TM_i$  (e.g., “ $TA_i/TM_i$ ” aspect ratio). Thus, as can be understood from FIG. 14A, jig blank 50BR-1 has an aspect ratio defined as “ $TA_1/TM_1$ ”, jig blank 50BR-2 has an aspect ratio defined as “ $TA_2/TM_2$ ”, and jig blank 50BR-3 has an aspect ratio defined as “ $TA_3/TM_3$ ”.

The jig blank aspect ratio is utilized to design right tibia jigs 2B dimensioned specific to the patient's right tibia features. In one embodiment, the jig blank aspect ratio can be the exterior dimensions of the right tibia jig 2B. In another embodiment, the jig blank aspect ratio can apply to the right tibia jig fabrication procedure for selecting the right jig blank 50BR having parameters close to the dimensions of the desired right tibia jig 2B. This embodiment can improve the cost efficiency of the right tibia jig fabrication process because it reduces the amount of machining required to create the desired jig 2 from the selected jig blank 50.

In FIG. 14A there is a single jig blank aspect ratio depicted for the candidate tibia jig blank sizes. In embodiments having a greater number of jig blank aspect ratios for the candidate tibia jig blank sizes, FIG. 14A would be similar to FIG. 4A and would have an N-1 direction, and potentially N-2 and N-3 directions, representing increasing jig blank aspect ratios. The relationships between the various tibia jig blank aspect ratios would be similar to those discussed with respect to FIG. 4A for the femur jig blank aspect ratios.

As can be understood from the plot 900 depicted in FIG. 17 and discussed later in this Detailed Discussion, the E-1 direction corresponds to the sloped line joining Group 1, Group 2 and Group 3 in the plot 900.

As indicated in FIG. 14A, along direction E-1, the jig blank aspect ratios remain the same among jigs blanks 50BR-1, 50BR-2 and 50BR-3, where “ $TA_1/TM_1$ ” = “ $TA_2/TM_2$ ” = “ $TA_3/TM_3$ ”. However, comparing to jig blank 50BR-1, jig blank 50BR-2 is dimensioned larger and longer than jig blank 50BR-1. This is because the  $TA_2$  value for jig blank 50BR-2 increases proportionally with the increment of its  $TM_2$  value in certain degrees in all X, Y, and Z-axis directions. In a similar fashion, jig blank 50BR-3 is dimensioned larger and longer than jig blank 50BR-2 because the  $TA_3$  increases proportionally with the increment of its  $TM_3$

value in certain degrees in all X, Y, and Z-axis directions. One example of the increment can be an increase from 5% to 20%. In embodiments where there are additional aspect ratios available for the tibia jig blank sizes, as was illustrated in FIG. 4A with respect to the femur jig blank sizes, the relationship between tibia jig blank sizes may be similar to that discussed  
5 with respect to FIGS. 4A and 14A.

As can be understood from FIG. 14B, a limited number of left tibia jig blank sizes may be available for selection as the left tibia jig blank size to be machined into the left tibia cutting jig 2B. For example, in one embodiment, there are three sizes ( $m = 3$ ) of left tibia jig blanks 50BL available. As can be understood from FIG. 13C, each tibia jig blank 50BL has  
10 an anterior-posterior/medial-lateral aspect ratio defined as  $TA_i$  to  $TM_i$  (e.g., " $TA_i/TM_i$ " aspect ratio). Thus, as can be understood from FIG. 14B, jig blank 50BL-1 has an aspect ratio defined as " $TA_1/TM_1$ ", jig blank 50BL-2 has an aspect ratio defined as " $TA_2/TM_2$ ", and jig blank 50BL-3 has an aspect ratio defined as " $TA_3/TM_3$ ".

The jig blank aspect ratio is utilized to design left tibia jigs 2B dimensioned specific to  
15 the patient's left tibia features. In one embodiment, the jig blank aspect ratio can be the exterior dimensions of the left tibia jig 2B. In another embodiment, the jig blank aspect ratio can apply to the left tibia jig fabrication procedure for selecting the left jig blank 50BL having parameters close to the dimensions of the desired left tibia jig 2B. This embodiment can improve the cost efficiency of the left tibia jig fabrication process because it reduces the  
20 amount of machining required to create the desired jig 2 from the selected jig blank 50.

In FIG. 14B there is a single jig blank aspect ratio depicted for the candidate tibia jig blank sizes. In embodiments having a greater number of jig blank aspect ratios for the candidate tibia jig blank sizes, FIG. 14B would be similar to FIG. 4B and would have an N-1 direction, and potentially N-2 and N-3 directions, representing increasing jig blank aspect  
25 ratios. The relationships between the various tibia jig blank aspect ratios would be similar to those discussed with respect to FIG. 4B for the femur jig blank aspect ratios.

As indicated in FIG. 14B, along direction E-1, the jig blank aspect ratios remain the same among jigs blanks 50BL-1, 50BL-2 and 50BL-3, where " $TA_1/TM_1$ " = " $TA_2/TM_2$ " = " $TA_3/TM_3$ ". However, comparing to jig blank 50BL-1, jig blank 50BL-2 is dimensioned larger and longer than jig blank 50BL-1. This is because the  $TA_2$  value for jig blank 50BL-2  
30 increases proportionally with the increment of its  $TM_2$  value in certain degrees in all X, Y, and Z-axis directions. In a similar fashion, jig blank 50BL-3 is dimensioned larger and longer than jig blank 50BL-2 because the  $TA_3$  increases proportionally with the increment of its  $TM_3$  value in certain degrees in all X, Y, and Z-axis directions. One example of the increment can  
35 be an increase from 5% to 20%. In embodiments where there are additional aspect ratios available for the tibia jig blank sizes, as was illustrated in FIG. 4B with respect to the femur

jig blank sizes, the relationship between tibia jig blank sizes may be similar to that discussed with respect to FIGS. 4B and 14B.

The dimensions of the upper or knee joint forming end 604 of the patient's tibia 20 can be determined by analyzing the 3D surface model 40 or 3D arthritic model 36 in a manner similar to those discussed with respect to the jig blanks 50. For example, as depicted in FIG. 15, which is an axial view of the 3D surface model 40 or arthritic model 36 of the patient's right tibia 20 as viewed in a direction extending proximal to distal, the upper end 604 of the surface model 40 or arthritic model 36 may include an anterior edge 660, a posterior edge 662, a medial edge 664 and a lateral edge 666. The tibia dimensions may be determined for the top end face or femur articulating surface 604 of the patient's tibia 20 via analyzing the 3D surface model 40 of the 3D arthritic model 36. These tibia dimensions can then be utilized to configure tibia jig dimensions and select an appropriate tibia jig.

As shown in FIG. 15, the anterior-posterior extent tAP of the upper end 604 of the patient's tibia 20 (i.e., the upper end 604 of the surface model 40 of the arthritic model 36, whether formed via open or closed-loop analysis) is the length measured from the anterior edge 660 of the tibia plateau to the posterior edge 662 of the tibia plateau. The medial-lateral extent tML of the upper end 604 of the patient's tibia 20 is the length measured from the medial edge 664 of the medial tibia plateau to the lateral edge 666 of the lateral tibia plateau.

In one embodiment, the anterior-posterior extent tAP and medial-lateral extent tML of the tibia upper end 604 can be used for an aspect ratio tAP/tML of the tibia upper end. The aspect ratios tAP/tML of a large number (e.g., hundreds, thousands, tens of thousands, etc.) of patient knees can be compiled and statistically analyzed to determine the most common aspect ratios for jig blanks that would accommodate the greatest number of patient knees. This information may then be used to determine which one, two, three, etc. aspect ratios would be most likely to accommodate the greatest number of patient knees.

The system 4 analyzes the upper ends 604 of the patient's tibia 20 as provided via the surface model 40 of the arthritic model 36 (whether the arthritic model 36 is an 3D surface model generated via an open-loop or a 3D volumetric solid model generated via a closed-loop process), to obtain data regarding anterior-posterior extent tAP and medial-lateral extent tML of the tibia upper ends 604. As can be understood from FIG. 16, which depicts the selected model jig blank 50BR of FIG. 13C superimposed on the model tibia upper end 604 of FIG. 15, the tibia dimensional extents tAP, tML are compared to the jig blank dimensional extents TA, TM to determine which jig blank model to select as the starting point for the machining process and the exterior surface model for the jig model.

As shown in FIG. 16, a prospective right tibia jig blank 50BR is superimposed to mate with the right tibia upper end 604 of the patient's anatomical model as represented by the

surface model 40 or arthritic model 36. In one embodiment, the jig blank 50BR may cover the anterior approximately two thirds of the tibia plateau, leaving the posterior approximately one third of the tibia exposed. Included in the exposed portion of the tibia plateau are lateral and medial exposed regions of the tibia plateau, as respectively represented by regions q1 and q2 in FIG. 16. Specifically, exposed region q1 is the region of the exposed tibia plateau between the tibia and jig blank lateral edges 666, 646, and exposed region q2 is the region of the exposed tibia plateau between the tibia and jig blank medial edges 664, 644.

By obtaining and employing the tibia anterior-posterior tAP data and the tibia medial-lateral tML data, the system 4 can size the tibia jig blank 50BR according to the following formula:  $jTML = tML - q1 - q2$ , wherein jTML is the medial-lateral extent of the tibia jig blank 50BR. In one embodiment, q1 and q2 will have the following ranges:  $2mm \leq q1 \leq 4mm$ ; and  $2mm \leq q2 \leq 4mm$ . In another embodiment, q1 will be approximately 3mm and q2 will be approximately 3mm.

FIG. 17A is an example scatter plot 900 for selecting from a plurality of candidate jig blanks sizes a jig blank size appropriate for the upper end 604 of the patient's tibia 20. In one embodiment, the X-axis represents the patient's tibia medial-lateral length tML in millimeters, and the Y-axis represents the patient's tibia anterior-posterior length tAP in millimeters. In one embodiment, the plot 900 is divided into a number of jig blank size groups, where each group encompasses a region of the plot 900 and is associated with a specific parameter  $TM_r$  of a specific candidate jig blank size.

In one embodiment, the example scatter plot 900 depicted in FIG. 17A has three jig blank size groups, each group pertaining to a single candidate jig blank size. However, depending on the embodiment, a scatter plot 900 may have a greater or lesser number of jig blank size groups. The higher the number of jig blank size groups, the higher the number of the candidate jig blank sizes and the more dimension specific a selected candidate jig blank size will be to the patient's knee features and the resulting jig 2. The more dimension specific the selected candidate jig blank size, the lower the amount of machining required to produce the desired jig 2 from the selected jig blank 50.

Conversely, the lower the number of jig blank size groups, the lower the number of candidate jig blank sizes and the less dimension specific a selected candidate jig blank size will be to the patient's knee features and the resulting jig 2. The less dimension specific the selected candidate jig blank size, the higher the amount of machining required to produce the desired jig 2 from the selected jig blank 50, adding extra roughing during the jig fabrication procedure.

The tibia anterior-posterior length tAP may be relevant because it may serve as a value for determining the aspect ratio  $TA_i/TM_i$  for tibia jig blanks 50B such as those discussed with respect to FIGS. 13C-14B and 17A. Despite this, in some embodiments,



tibia anterior-posterior length  $TA_i$  of the candidate jig blanks may not be reflected in the plot 900 depicted in FIG 17A or the relationship depicted in FIG. 16 because in a practical setting for some embodiments, tibia jig anterior-posterior length may be less significant than tibia jig medial-lateral length. For example, although a patient's tibia anterior-posterior distance varies according to their knee features, the length of the foot projection 800, 802 (see FIG. 20A) of a tibia jig 2B is simply increased without the need to create a jig blank or jig that is customized to correspond to the tibia anterior-posterior length  $TA$ . In other words, in some embodiments, the only difference in anterior-posterior length between various tibia jigs is the difference in the anterior-posterior length of their respective foot projections 800, 802.

In some embodiments, as can be understood from FIGS. 16 and 21, the anterior-posterior length of a tibia jig 2B, with its foot projection 800, 802, covers approximately half of the tibia plateau. Due in part to this "half" distance coverage, which varies from patient-to-patient by only millimeters to a few centimeter, in one embodiment, the anterior-posterior length of the jig may not be of a significant concern. However, because the jig may cover a substantial portion of the medial-lateral length of the tibia plateau, the medial-lateral length of the jig may be of substantial significance as compared to the anterior-posterior length.

While in some embodiments the anterior-posterior length of a tibia jig 2B may not be of substantial significance as compared to the medial-lateral length, in some embodiments the anterior-posterior length of the tibia jig is of significance. In such an embodiment, jig sizes may be indicated in FIG. 17A by their aspect ratios  $TA_i/TM_i$  as opposed to just  $TM_i$ . In other words, the jig sizes may be depicted in FIG. 17A in a manner similar to that depicted in FIG. 7A. Furthermore, in such embodiments, FIGS. 14A and 14B may have additional jig blank ratios similar to that depicted in FIGS. 4A and 4B. As a result, the plot 900 of 17A may have additional diagonal lines joining the jig blank sizes belonging to each jig blank ratio in a manner similar to that depicted in plot 300 of FIG. 7A. Also, in FIG. 17A and in a manner similar to that shown in FIG. 7A, there may be additional horizontal lines dividing plot 900 according to anterior-posterior length to represent the boundaries of the various jig blank sizes.

As can be understood from FIG. 17A, in one embodiment, the three jig blank size groups of the plot 900 have parameters  $TM_r, TA_r$  as follows. Group 1 has parameters  $TM_1, TA_1$ .  $TM_1$  represents the medial-lateral extent of the first tibia jig blank size, wherein  $TM_1 = 70\text{mm}$ .  $TA_1$  represents the anterior-posterior extent of the first femoral jig blank size, wherein  $TA_1 = 62\text{mm}$ . Group 1 covers the patient's tibia  $tML$  and  $tAP$  data wherein  $55\text{mm} < tML < 70\text{mm}$  and  $45\text{mm} < tAP < 75\text{mm}$ .

Group 2 has parameters  $TM_2, TA_2$ .  $TM_2$  represents the medial-lateral extent of the second tibia jig blank size, wherein  $TM_2 = 85\text{mm}$ .  $TA_2$  represents the anterior-posterior

extent of the second femoral jig blank size, wherein  $TA_2 = 65\text{mm}$ . Group 2 covers the patient's tibia tML and tAP data wherein  $70\text{mm} < \text{tML} < 85\text{mm}$  and  $45\text{mm} < \text{tAP} < 75\text{mm}$ .

Group 3 has parameters  $TM_3$ ,  $TA_3$ .  $TM_3$  represents the medial-lateral extent of the third tibia jig blank size, wherein  $TM_3 = 100\text{mm}$ .  $TA_3$  represents the anterior-posterior extent of the second femoral jig blank size, wherein  $TA_3 = 68.5\text{mm}$ . Group 3 covers the patient's tibia tML and tAP data wherein  $85\text{mm} < \text{tML} < 100\text{mm}$  and  $45\text{mm} < \text{tAP} < 75\text{mm}$ .

In some embodiments and in contrast to the selection process for the femur jig blanks discussed with respect to FIGS. 3A-7B, the tibia jig blank selection process discussed with respect to FIGS. 13A-17B may only consider or employ the medial-lateral tibia jig value jTML and related medial-lateral values TM, tML. Accordingly, in such embodiments, the anterior-posterior tibia jig value JTAP and related anterior-posterior values TA, tAP for the tibia jig and tibia plateau are not considered.

As can be understood from FIG. 17B, which is a flow diagram illustrating an embodiment of a process of selecting an appropriately sized jig blank, the bone medial-lateral extent tML is determined for the upper end 604 of the surface model 40 of the arthritic model 36 [block 3000]. The medial-lateral bone extent tML of the upper end 604 is mathematically modified according to the above discussed jTML formula to arrive at the minimum tibia jig blank medial-lateral extent jTML [block 3010]. The mathematically modified bone medial-lateral extent tML or, more specifically, the minimum tibia jig blank medial-lateral extent jTML is referenced against the jig blank dimensions in the plot 900 of FIG. 17A [block 3020]. The plot 900 may graphically represent the extents of candidate tibia jig blanks forming a jig blank library. The tibia jig blank 50B is selected to be the jig blank size having the smallest extents that are still sufficiently large to accommodate the minimum tibia jig blank medial-lateral extent jTML [block 3030].

In one embodiment, the exterior of the selected jig blank size is used for the exterior surface model of the jig model, as discussed below. In one embodiment, the selected jig blank size corresponds to an actual jig blank that is placed in the CNC machine and milled down to the minimum tibia jig blank anterior-posterior and medial-lateral extents jTAP, jTML to machine or otherwise form the exterior surface of the tibia jig 2B

The method outlined in FIG. 17B and in reference to the plot 900 of FIG. 17A can be further understood from the following example. As measured in FIG. 16 with respect to the lower end 604 of the patient's tibia 20, the extents of the patient's tibia are as follows:  $\text{tML} = 85.2\text{mm}$  [block 3000]. As previously mentioned, the upper end 604 may be part of the surface model 40 of the arthritic model 36. Once the tML measurement is determined from the upper end 604, the corresponding jig jTML data can be determined via the above-described jTML formula:  $\text{jTML} = \text{tML} - q_1 - q_2$ , wherein  $q_1 = 3\text{mm}$  and  $q_2 = 3\text{mm}$  [block 3010]. The result of the jTML formula is  $\text{jTML} = 79.2\text{mm}$ .

As can be understood from the plot 900 of FIG. 17A, the determined jig data (i.e.,  $jTML = 79.2\text{mm}$ ) falls in Group 2 of the plot 900. Group 2 has the predetermined tibia jig blank parameters ( $TM_2$ ) of  $TM_2 = 85\text{mm}$ . This predetermined tibia jig blank parameter is the smallest of the various groups that are still sufficiently large to meet the minimum tibia blank extents  $jTML$  [block 3020]. This predetermined tibia jig blank parameters ( $TM_2 = 85\text{mm}$ ) may be selected as the appropriate tibia jig blank size [block 3030].

In one embodiment, the predetermined tibia jig blank parameter (85mm) can apply to the tibia exterior jig dimensions as shown in FIG. 13C. In other words, the jig blank exterior is used for the jig model exterior as discussed with respect to FIGS. 18A-19C. Thus, the exterior of the tibia jig blank 50B undergoes no machining, and the unmodified exterior of the jig blank 50B with its predetermined jig blank parameter (85mm) serves as the exterior of the finished tibia jig 2B.

In another embodiment, the tibia jig blank parameter (85mm) can be selected for jig fabrication in the machining process. Thus, a tibia jig blank 50B having a predetermined parameter (85mm) is provided to the machining process such that the exterior of the tibia jig blank 50B will be machined from its predetermined parameter (85mm) down to the desired tibia jig parameter (79.2mm) to create the finished exterior of the tibia jig 2B. As the predetermined parameter (85mm) is selected to be relatively close to the desired femur jig parameter (79.2mm), machining time and material waste are reduced.

While it may be advantageous to employ the above-described jig blank selection method to minimize material waste and machining time, in some embodiments, a jig blank will simply be provided that is sufficiently large to be applicable to all patient bone extents  $tML$ . Such a jig blank is then machined down to the desired jig blank extent  $jTML$ , which serve as the exterior surface of the finished jig 2B.

In one embodiment, the number of candidate jig blank size groups represented in the plot 900 is a function of the number of jig blank sizes offered by a jig blank manufacturer. For example, a first plot 900 may pertain only to jig blanks manufactured by company A, which offers three jig blank sizes. Accordingly, the plot 900 has three jig blank size groups. A second plot 900 may pertain only to jig blanks manufactured by company B, which offers six jig blank size groups. Accordingly, the second plot 900 has six jig blank size groups.

A plurality of candidate jig blank sizes exist, for example, in a jig blank library as represented by the plot 900 of FIG. 17B. While each candidate jig blank may have a unique combination of anterior-posterior and medial-lateral dimension sizes, in some embodiments, two or more of the candidate jig blanks may share a common aspect ratio  $tAP/tML$  or configuration. The candidate jig blanks of the library may be grouped along sloped lines of the plot 900 according to their aspect ratios  $tAP/tML$ .

In one embodiment, the jig blank aspect ratio  $tAP/tML$  may be used to take a workable jig blank configuration and size it up or down to fit larger or smaller individuals.

As can be understood from FIG. 17A, a series of 98 OA patients having knee disorders were entered into the plot 900 as part of a tibia jig design study. Each patient's tibia  $tAP$  and  $tML$  data was measured. Each patient tibia  $tML$  data was modified via the above-described  $jTML$  formula to arrive at the patient's jig blank data ( $jFML$ ). The patient's jig blank data was then entered into the plot 900 as a point. As can be understood from FIG. 17A, no patient point lies outside the parameters of an available group. Such a process can be used to establish group parameters and the number of needed groups.

In one embodiment, the selected jig blank parameters can be the tibia jig exterior dimensions that are specific to patient's knee features. In another embodiment, the selected jig blank parameters can be chosen during fabrication process.

h. Formation of 3D Tibia Jig Model.

For a discussion of an embodiment of a method of generating a 3D tibia jig model 746 generally corresponding to the "integrated jig data" 48 discussed with respect to [block 150] of FIG. 1E, reference is made to FIGS. 13A-13C, FIGS. 18A-18B, FIGS. 19A-19D and FIG. 20A-20B. FIGS. 13A-13C are various views of a tibia jig blank 50B. FIGS. 18A-18B are, respectively, exterior and interior perspective views of a tibia jig blank exterior surface model 632M. FIGS. 19A-19D are exterior perspective views of the tibia jig blank exterior model 632M and bone surface model 40 being combined. FIGS. 20A and 20B are, respectively, exterior and interior perspective views of the resulting tibia jig model 746 after having "saw cut and drill hole data" 44 integrated into the jig model 746 to become an integrated or complete jig model 748 generally corresponding to the "integrated jig data" 48 discussed with respect to [block 150] of FIG. 1E.

As can be understood from FIGS. 13A-13C, the jig blank 50B, which has selected predetermined dimensions as discussed with respect to FIGS. 17A and 17B, includes an interior surface 630 and an exterior surface 632. The exterior surface model 632M depicted in FIGS. 18A and 18B is extracted or otherwise created from the exterior surface 632 of the jig blank model 50B. Thus, the exterior surface model 632M is based on the jig blank aspect ratio of the tibia jig blank 50B selected as discussed with respect to FIGS. 17A and 17B and is dimensioned specific to the patient's knee features. The tibia jig surface model 632M can be extracted or otherwise generated from the jig blank model 50B of FIGS. 13A-13C by employing any of the computer surface rendering techniques described above.

As can be understood from FIGS. 19A-19C, the exterior surface model 632M is combined with the tibia surface model 40 to respectively form the exterior and interior surfaces of the tibia jig model 746. The tibia surface model 40 represents the interior or mating surface of the tibia jig 2B and corresponds to the tibia arthroplasty target area 42.

Thus, the model 40 allows the resulting tibia jig 2B to be indexed to the arthroplasty target area 42 of the patient's tibia 20 such that the resulting tibia jig 2B will matingly receive the arthroplasty target area 42 during the arthroplasty procedure. The two surface models 632M, 40 combine to provide a patient-specific jig model 746 for manufacturing the tibia jig 2B.

5 As can be understood from FIGS. 19B and 19C, once the models 632M, 40 are properly aligned, a gap will exist between the two models 632M, 40. An image sewing method or image sewing tool is applied to the aligned models 632M, 40 to join the two surface models together to form the 3D computer generated jig model 746 of FIG. 19B into a single-piece, joined-together, and filled-in jig model 746 similar in appearance to the  
10 integrated jig model 748 depicted in FIGS. 20A and 20B. In one embodiment, the jig model 746 may generally correspond to the description of the "jig data" 46 discussed with respect [block 145] of FIG. 1E.

As can be understood from FIGS. 19B-19D, 20A and 20B, the geometric gaps between the two models 632M, 40, some of which are discussed below with respect to  
15 thicknesses  $V_1$ ,  $V_2$  and  $V_3$ , may provide certain space between the two surface models 632M, 40 for slot width and length and drill bit length for receiving and guiding cutting tools during TKA surgery. Because the resulting tibia jig model 748 depicted in FIGS. 20A and 20B may be a 3D volumetric model generated from 3D surface models 632M, 40, a space or gap should be established between the 3D surface models 632M, 40. This allows the  
20 resulting 3D volumetric jig model 748 to be used to generate an actual physical 3D volumetric tibia jig 2B.

In some embodiments, the image processing procedure may include a model repair procedure for repairing the jig model 746 after alignment of the two models 632M, 40. For example, various methods of the model repairing include, but are not limit to, user-guided  
25 repair, crack identification and filling, and creating manifold connectivity, as described in: Nooruddin et al., *Simplification and Repair of Polygonal Models Using Volumetric Techniques* (IEEE Transactions on Visualization and Computer Graphics, Vol.9, No.2, April-June 2003); C. Erikson, *Error Correction of a Large Architectural Model: The Henderson County Courthouse* ( Technical Report TR95-013, Dept. of Computer Science, Univ. of North  
30 Carolina at Chapel Hill, 1995); D. Khorramabdi, *A Walk through the Planned CS Building* ( Technical Report UCB/CSD 91/652, Computer Science Dept., Univ. of California at Berkeley, 1991); Morvan et al., *IVECS: An Interactive Virtual Environment for the Correction of .STL files* (Proc. Conf. Virtual Design, Aug. 1996); Bohn et al., *A Topology-Based Approach for Shell-Closure*, Geometric Modeling for Product Realization, (P.R. Wilson et al.,  
35 pp. 297-319, North-Holland, 1993); Barequet et al., *Filling Gaps in the Boundary of a Polyhedron*, Computer Aided Geometric Design (vol. 12, no. 2, pp. 207-229, 1995); Barequet et al., *Repairing CAD Models* (Proc. IEEE Visualization '97, pp. 363-370, Oct.

1997); and Gueziec et al., *Converting Sets of Polygons to Manifold Surfaces by Cutting and Stitching*, (*Proc. IEEE Visualization 1998*, pp. 383-390, Oct. 1998). Each of these references is incorporated into this Detailed Description in their entireties.

As can be understood from FIGS. 20A and 20B, the integrated jig model 748 may include several features based on the surgeon's needs. For example, the jig model 748 may include a slot feature 30 for receiving and guiding a bone saw and drill holes 32 for receiving and guiding bone drill bits. As can be understood from FIGS. 19B and 19C, to provide sufficient structural integrity to allow the resulting tibia jig 2B to not buckle or deform during the arthroplasty procedure and to adequately support and guide the bone saw and drill bits, the gap between the models 232M, 40 may have the following offsets  $V_1$ ,  $V_2$ , and  $V_3$ .

As can be understood from FIGS. 19B-20B, in one embodiment, thickness  $V_1$  extends along the length of the posterior drill holes 32P between the models 632M, 40 and is for supporting and guiding a bone drill received therein during the arthroplasty procedure. Thickness  $V_1$  may be at least approximately four millimeters or at least approximately five millimeters thick. The diameter of the posterior drill holes 32P may be configured to receive a cutting tool of at least one-third inches.

Thickness  $V_2$  extends is the thickness of the jig foots 800, 802 between the inner and exterior surfaces 40, 632M. The thickness provides adequate structural strength for jig foots 800, 802, to resist buckling and deforming of the jig to manufacture and use. Thickness  $V_2$  may be at least approximately five millimeters or at least eight millimeters thick.

Thickness  $V_3$  extends along the length of a saw slot 30 between the models 632M, 40 and is for supporting and guiding a bone saw received therein during the arthroplasty procedure. Thickness  $V_3$  may be at least approximately 10mm or at least 15mm thick.

In addition to providing sufficiently long surfaces for guiding drill bits or saws received therein, the various thicknesses  $V_1$ ,  $V_2$ ,  $V_2$  are structurally designed to enable the tibia jig 2B to bear vigorous tibia cutting, drilling and reaming procedures during the TKR surgery.

As indicated in FIGS. 20A and 20B, the exterior portion or side 106 of the integrated jig model 748 may include: feature 800 that extends over and matches the patient's medial portion of the tibia plateau; feature 802 that extends over and matches the patient's lateral portion of the tibia plateau; projection 804 that extends downward from the upper exterior surface 632 of the tibia jig 2B; and a flat portion of the exterior surface 632 that provides a blanked labeling area for listing information regarding the patient, surgeon or/and the surgical procedure. Also, as discussed above, the integrated jig model 748 may include the saw cut slot 30 and the drill holes 32. The inner portion or side 104 of the jig model 748 (and the resulting tibia jig 2B) is the tibia surface model 40, which will matingly receive the arthroplasty target area 42 of the patient's tibia 20 during the arthroplasty procedure.

As can be understood by referring to [block 105] of FIG. 1B and FIGS. 12A-12C, in one embodiment when cumulating the image scans 16 to generate the one or the other of the models 40, 22, the models 40, 22 are referenced to point P, which may be a single point or a series of points, etc. to reference and orient the models 40, 22 relative to the models 22, 28 discussed with respect to FIG. 1C and utilized for POP. Any changes reflected in the models 22, 28 with respect to point P (e.g., point P becoming point P') on account of the POP is reflected in the point P associated with the models 40, 22 (see [block 135] of FIG. 1D). Thus, as can be understood from [block 140] of FIG. 1D and FIGS. 19A-19C, when the jig blank exterior surface model 632M is combined with the surface model 40 (or a surface model developed from the arthritic model 22) to create the jig model 746, the jig model 746 is referenced and oriented relative to point P' and is generally equivalent to the "jig data" 46 discussed with respect to [block 145] of FIG. 1E.

Because the jig model 746 is properly referenced and oriented relative to point P', the "saw cut and drill hole data" 44 discussed with respect to [block 125] of FIG. 1E can be properly integrated into the jig model 746 to arrive at the integrated jig model 748 depicted in FIGS. 20A-20B. The integrated jig model 748 includes the saw cuts 30, drill holes 32 and the surface model 40. Thus, the integrated jig model 748 is generally equivalent to the "integrated jig data" 48 discussed with respect to [block 150] of FIG. 1E.

As can be understood from FIG. 21, which illustrates a perspective view of the integrated jig model 748 mating with the "arthritic model" 22, the interior surface 40 of the jig model 748 matingly receives the arthroplasty target area 42 of the tibia lower end 604 such that the jig model 748 is indexed to mate with the area 42. Because of the referencing and orientation of the various models relative to the points P, P' throughout the procedure, the saw cut slot 30 and drill holes 32 are properly oriented to result in saw cuts and drill holes that allow a resulting tibia jig 2B to restore a patient's joint to a pre-degenerated condition.

As indicated in FIG. 21, the integrated jig model 748 may include a jig body 850, a medial tibia plateau covering projection 852, a lateral tibia plateau covering projection 854, a lower portion 856 extending from the body 850, posterior drill holes 32P, anterior drill holes 32A, a saw slot 30 and an upper flat portion 856 for receiving thereon patient, surgery and physician data. The projections 852, 854 extend over their respective medial and lateral tibia plateau portions. The projections 852, 854, 856 extend integrally from the jig body 850.

As can be understood from [blocks 155-165] of FIG. 1E, the integrated jig 748 or, more specifically, the integrated jig data 48 can be sent to the CNC machine 10 to machine the tibia jig 2B from the selected jig blank 50B. For example, the integrated jig data 48 may be used to produce a production file that provides automated jig fabrication instructions to a rapid production machine 10, as described in the various Park patent applications

referenced above. The rapid production machine 10 then fabricates the patient-specific arthroplasty tibia jig 2B from the tibia jig blank 50B according to the instructions.

The resulting tibia jig 2B may have the features of the integrated jig model 748. Thus, as can be understood from FIG. 21, the resulting tibia jig 2B may have the slot 30 and  
5 the drilling holes 32 formed on the projections 852, 854, 856, depending on the needs of the surgeon. The drilling holes 30 are configured to prevent the possible IR/ER (internal/external) rotational axis misalignment between the tibia cutting jig 2B and the patient's damaged joint surface during the proximal tibia cut portion of the TKR procedure. The slot 30 is configured to accept a cutting instrument, such as a reciprocating saw blade  
10 for transversely cutting during the proximal tibia cut portion of the TKR.

Although the present invention has been described with reference to preferred embodiments, persons skilled in the art will recognize that changes may be made in form and detail without departing from the spirit and scope of the invention.



## CLAIMS

What is claimed is:

1. A method of manufacturing an arthroplasty jig, the method comprising:  
generating two-dimensional images of at least a portion of a bone forming a joint;  
generating a first three-dimensional computer model of the at least a portion of the  
bone from the two-dimensional images;  
5 generating a second three-dimensional computer model of the at least a portion of  
the bone from the two-dimensional images;  
causing the first and second three-dimensional computer models to have in common  
a reference position, wherein the reference position includes at least one of a location and  
an orientation relative to an origin;  
10 generating a first type of data with the first three-dimensional computer model;  
generating a second type of data with the second three-dimensional computer model;  
employing the reference position to integrate the first and second types of data into  
an integrated jig data; and  
using the integrated jig data at a manufacturing machine to manufacture the  
15 arthroplasty jig.
2. The method of claim 1, wherein the first three-dimensional computer model is  
a bone only model and the second three-dimensional computer model is a bone and  
cartilage model.
3. The method of claim 2, wherein the bone only and bone and cartilage models  
represent a degenerated state of the joint.
4. The method of claim 1, wherein the first three-dimensional computer model  
represents an approximation of the at least a portion of the bone in a pre-degenerated state  
and the second three-dimensional computer model represents the at least a portion of the  
bone with cartilage in a degenerated state.
5. The method of claim 1, wherein the first type of data includes at least one of  
saw cut and drill hole information, and the second type of data includes surface contour  
information of the at least a portion of the bone.
6. The method of claim 5, wherein the saw cut and drill hole information includes  
at least one of location, orientation and size of at least one of a proposed arthroplasty saw  
cut and drill hole.
7. The method of claim 1, wherein the second three-dimensional computer  
model is generated at least in part from open-loop contour lines derived at least in part from  
the two-dimensional images.

8. The method of claim 1, wherein the second three-dimensional computer model is generated at least in part from closed-loop contour lines derived at least in part from the two-dimensional images.

9. The method of claim 1, wherein the first three-dimensional computer model is a three-dimensional volumetric model.

10. The method of claim 1, wherein the second three-dimensional computer model is a three-dimensional surface model.

11. The method of claim 1, wherein the two-dimensional images are MRI images.

12. The method of claim 1, wherein the two-dimensional images are CT images.

13. The method of claim 1, wherein the reference position is at least one of a point, multiple points, a vector, a plane, and a plane plus a point.

14. The method of claim 1, wherein the reference position is near the joint in the two-dimensional images.

15. The method of claim 1, wherein the joint is at least one of a knee, elbow, wrist, ankle, shoulder, hip and vertebrae interface.

16. The method of claim 1, wherein a change in location or orientation relative to the origin for one of the three-dimensional models causes an equal change in location or orientation relative to the origin for the other of the three-dimensional models.

17. The method of claim 1, further comprising: comparing dimensions of the at least a portion of the bone to candidate jig blanks; selecting from the candidate jig blanks a jig blank with the smallest dimensions that are able to accommodate the dimensions of the at least a portion of the bone; and providing the selected jig blank to the manufacturing  
5 machine.

18. The method of claim 17, further comprising: mathematically modifying the dimensions of the at least a portion of the bone and using the mathematically modified dimensions in determining which candidate jig blank to select.

19. The method of claim 17, where the dimensions of the at least a portion of the bone are obtained from at least one of the two-dimensional images and the three-dimensional images.

20. An arthroplasty jig manufactured according to claim 1.

21. A method of manufacturing an arthroplasty jig, the method comprising: generating two-dimensional images of at least a portion of a bone forming a joint; extending an open-loop contour line along an arthroplasty target region in at least some of the two-dimensional images;

5 generating a three-dimensional computer model of the arthroplasty target region from the open-loop contour lines;

generating from the three-dimensional computer model surface contour data pertaining to the arthroplasty target area; and

10 using the surface contour data at a manufacturing machine to manufacture the arthroplasty jig.

22. The method of claim 21, wherein the three-dimensional computer model is a bone and cartilage model.

23. The method of claim 22, wherein the bone and cartilage model represents a degenerated state of the joint.

24. The method of claim 21, wherein the three-dimensional computer model is a three-dimensional surface model.

25. The method of claim 21, wherein the two-dimensional images are MRI images.

26. The method of claim 21, wherein the two-dimensional images are CT images.

27. The method of claim 21, wherein the joint is at least one of a knee, elbow, wrist, ankle, shoulder, hip and vertebrae interface.

28. The method of claim 21, further comprising: comparing dimensions of the at least a portion of the bone to candidate jig blanks; selecting from the candidate jig blanks a jig blank with the smallest dimensions that are able to accommodate the dimensions of the at least a portion of the bone; and providing the selected jig blank to the manufacturing  
5 machine.

29. The method of claim 28, further comprising: mathematically modifying the dimensions of the at least a portion of the bone and using the mathematically modified dimensions in determining which candidate jig blank to select.

30. The method of claim 29, where the dimensions of the at least a portion of the bone are obtained from at least one of the two-dimensional images and the three-dimensional images.

31. The method of claim 21, wherein the open-loop contour lines extend immediately adjacent cortical bone and cartilage of the arthroplasty target region.

32. An arthroplasty jig manufactured according to claim 21.

33. A method of computer generating a three-dimensional surface model of an arthroplasty target region of a bone forming a joint, the method comprising:  
generating two-dimensional images of at least a portion of the bone;  
generating an open-loop contour line along the arthroplasty target region in at least  
5 some of the two-dimensional images; and

generating the three-dimensional model of the arthroplasty target region from the open-loop contour lines.

34. The method of claim 33, wherein the three-dimensional model is a bone and cartilage model.

35. The method of claim 34, wherein the bone and cartilage model represents a degenerated state of the joint.

36. The method of claim 33, wherein the two-dimensional images are MRI images.

37. The method of claim 33, wherein the two-dimensional images are CT images.

38. The method of claim 33, wherein the joint is at least one of a knee, elbow, wrist, ankle, shoulder, hip and vertebrae interface.

39. The method of claim 33, wherein the open-loop contour lines extend immediately adjacent cortical bone and cartilage of the arthroplasty target region.

40. A method of manufacturing an arthroplasty jig, the method comprising:  
determining from an image at least one dimension associated with a portion of a bone;

5 comparing the at least one dimension to dimensions of at least two candidate jig blank sizes;

selecting the smallest of the jig blank sizes that is sufficiently large to accommodate the at least one dimension;

providing a jig blank of the selected size to a manufacturing machine; and  
manufacturing the arthroplasty jig from the jig blank.

41. The method of claim 40, wherein the image is a two-dimensional MRI image.

42. The method of claim 40, wherein the image is a two-dimensional CT image.

43. The method of claim 40, wherein the image is a three-dimensional computer generated surface model.

44. The method of claim 40, wherein the image is a three-dimensional computer generated volume model.

45. The method of claim 40, wherein the at least one dimension is an anterior-posterior extent of a femur arthroplasty target region.

46. The method of claim 40, wherein the at least one dimension is an medial-lateral extent of a femur arthroplasty target region.

47. The method of claim 40, wherein the at least one dimension is an medial-lateral extent of a tibia arthroplasty target region.

5 48. The method of claim 40, wherein the processes of (1) determining from an image at least one dimension associated with a portion of a bone and (2) comparing the at least one dimension to dimensions of at least two candidate jig blank sizes further comprise mathematically modifying the at least one dimension and using the mathematically modified  
5 dimensions for the comparison.

49. An arthroplasty jig manufactured according to claim 40.

50. A method of generating a three-dimensional arthroplasty jig computer model, the method comprising: comparing a dimension of at least a portion of a bone of a joint to candidate jig blank sizes; and selecting from the candidate jig blank sizes a smallest jig blank size able to accommodate the dimensions of the at least a portion of the bone.

51. The method of claim 50, further comprising forming an exterior three-dimensional surface model from an exterior surface of a model of the smallest jig blank size.

52. The method of claim 51, further comprising: forming an interior three-dimensional surface model from an arthroplasty target region of the at least a portion of the bone; and combining the exterior surface model and interior surface model to respectively form the exterior surface and interior surface of the three-dimensional arthroplasty jig  
5 computer model.

53. A method of generating a three-dimensional arthroplasty jig computer model, the method comprising: forming an interior three-dimensional surface model representing an arthroplasty target region of at least a portion of a bone; forming an exterior three-dimensional surface model representing an exterior surface of a jig blank; and combining the  
5 interior surface model and exterior surface model to respectively form the interior surface and exterior surface of the three-dimensional arthroplasty jig computer model.

54. The method of claim 53, wherein the interior surface model and exterior surface models are spaced apart each other when combined.

55. The method of claim 54, further comprising joining the interior surface model to the exterior surface model.

56. The method of claim 55, wherein the joining process results in a three-dimensional volume model for the three-dimensional arthroplasty jig computer model.

57. A method of generating a production file associated with the manufacture of arthroplasty jigs, the method comprising:

generating first data associated a surface contour of an arthroplasty target region of a joint bone;

5 generating second data associated with at least one of a saw cut and a drill hole to be administered to the arthroplasty target region during an arthroplasty procedure; and integrating first and second data,

wherein a positional relationship of first data relative to an origin and a positional relationship of second data relative to the origin are coordinated with each other to be  
10 generally identical during the respective generations of first and second data.

58. The method of claim 57, wherein the positional relationships include at least one of location and orientation relative to the origin.

59. The method of claim 57, further comprising: generating two-dimensional images of the bone; computer generating a three-dimensional model of the bone from the two-dimensional images; and establishing the positional relationships of first and second data relative to the origin from a relationship of at least one of the two-dimensional images and three-dimensional model relative to the origin.

60. The method of claim 57, wherein the joint bone is part of a knee, elbow, hip, shoulder, wrist, ankle or vertebrae interface.

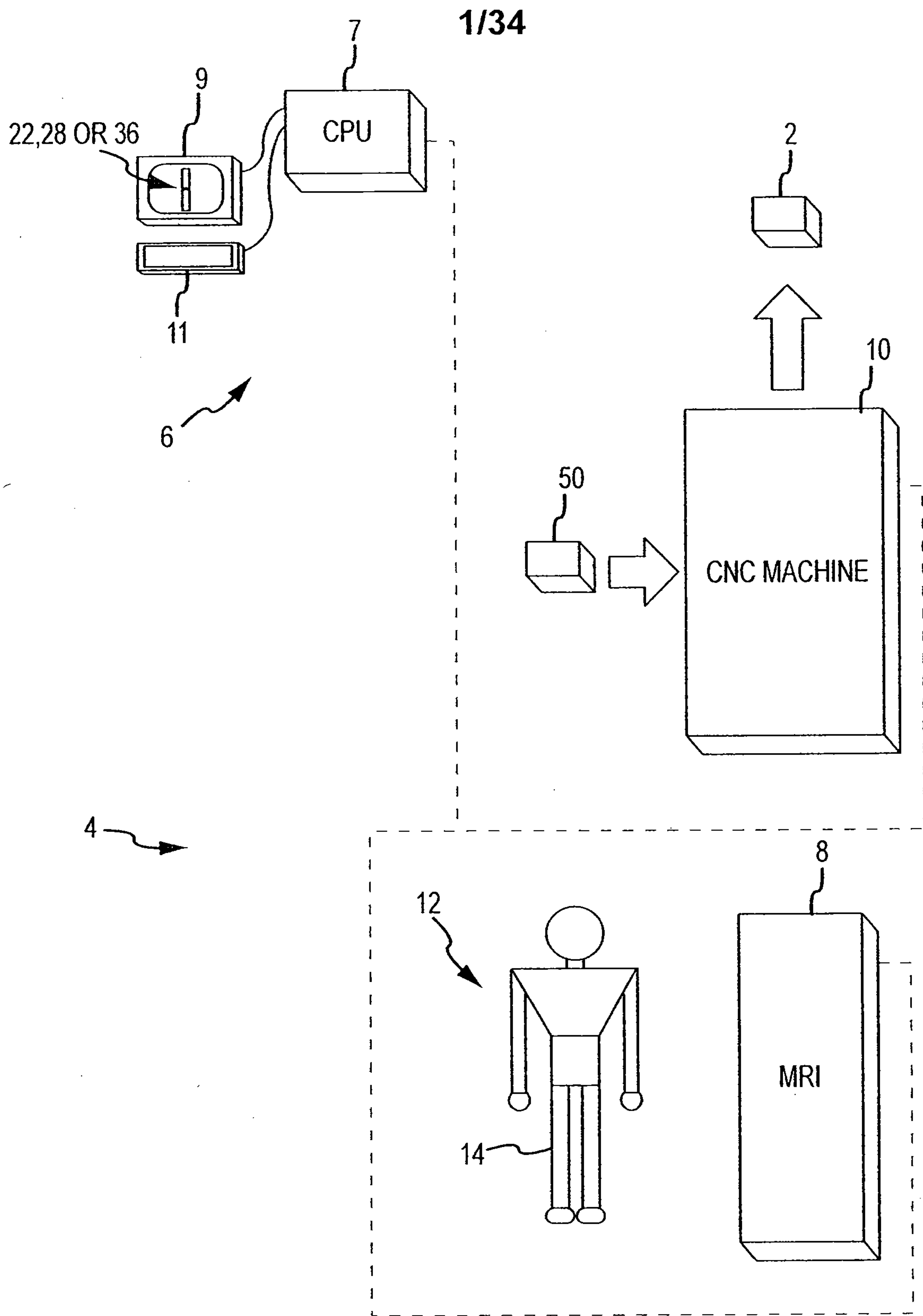


FIG.1A

2/34

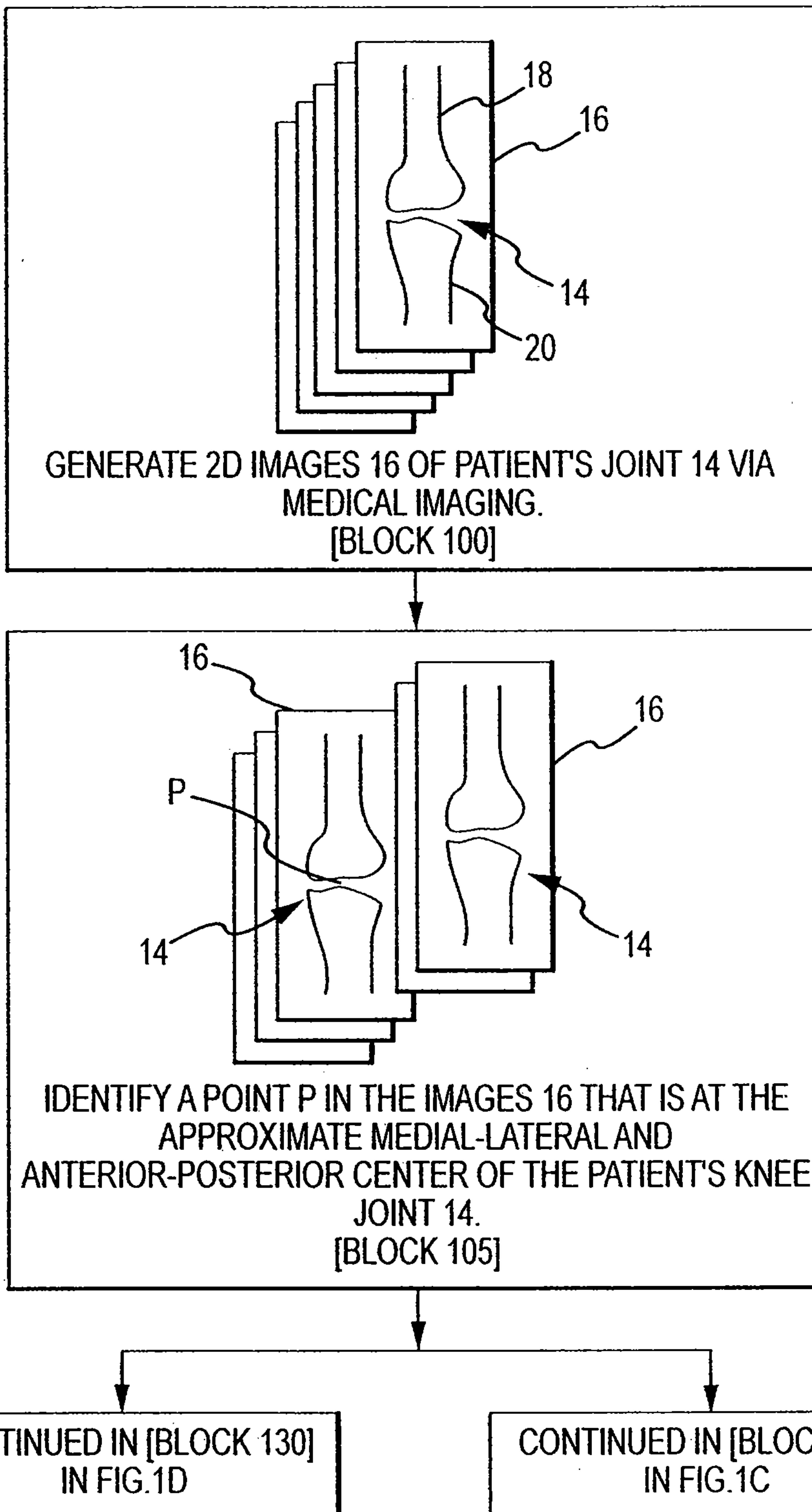
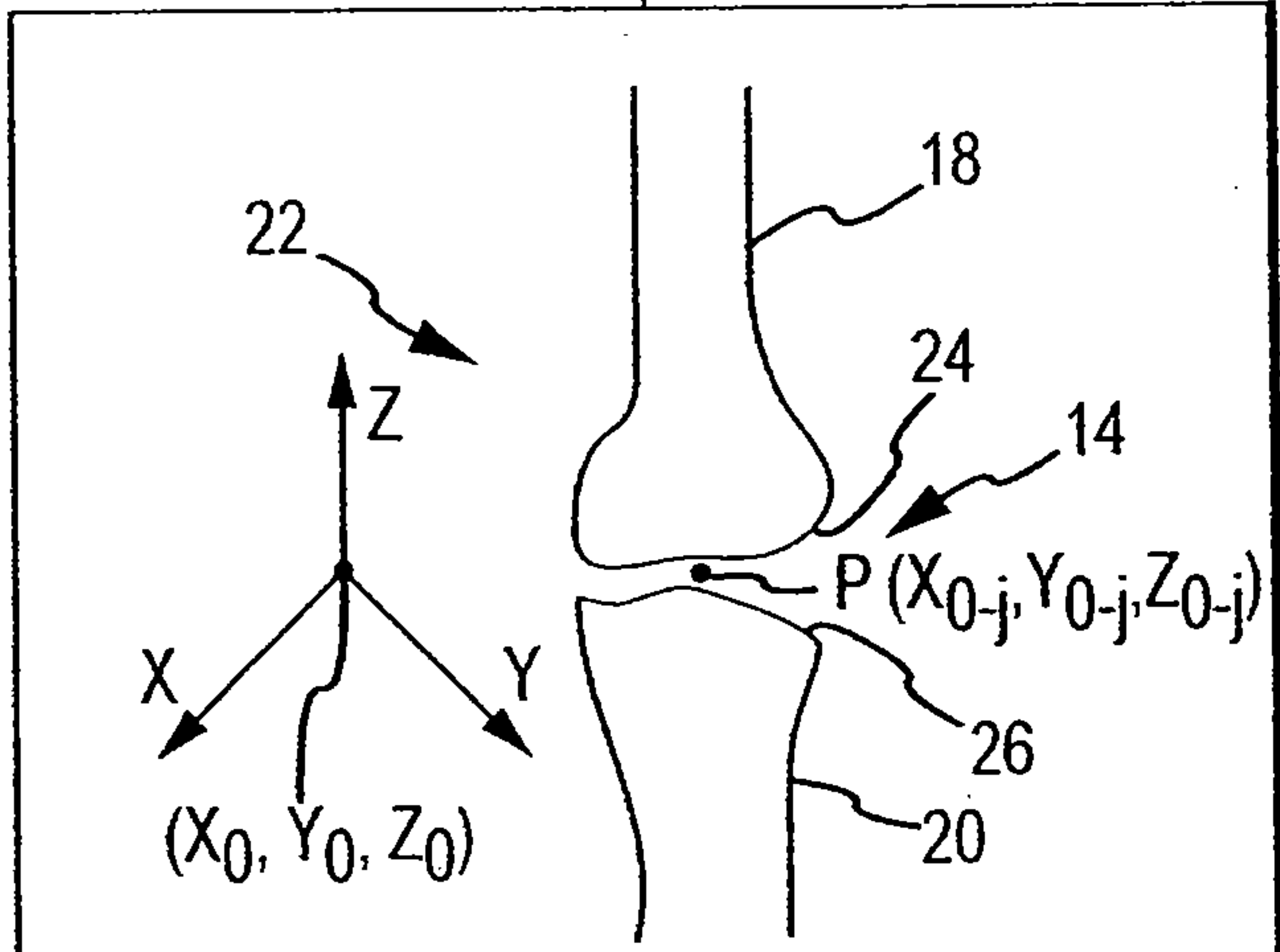


FIG.1B



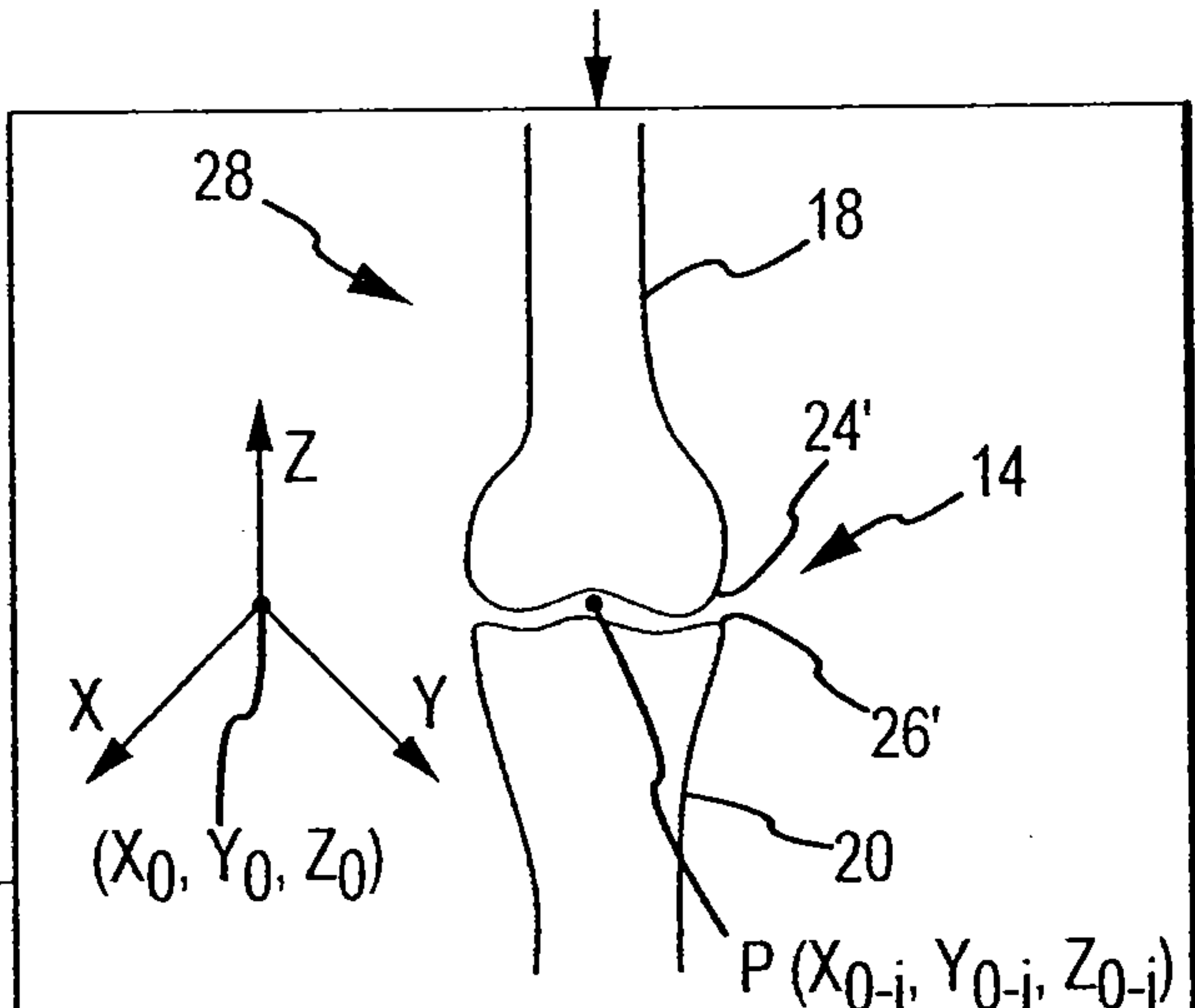
3/34

FROM [BLOCK 105] IN FIG. 1B

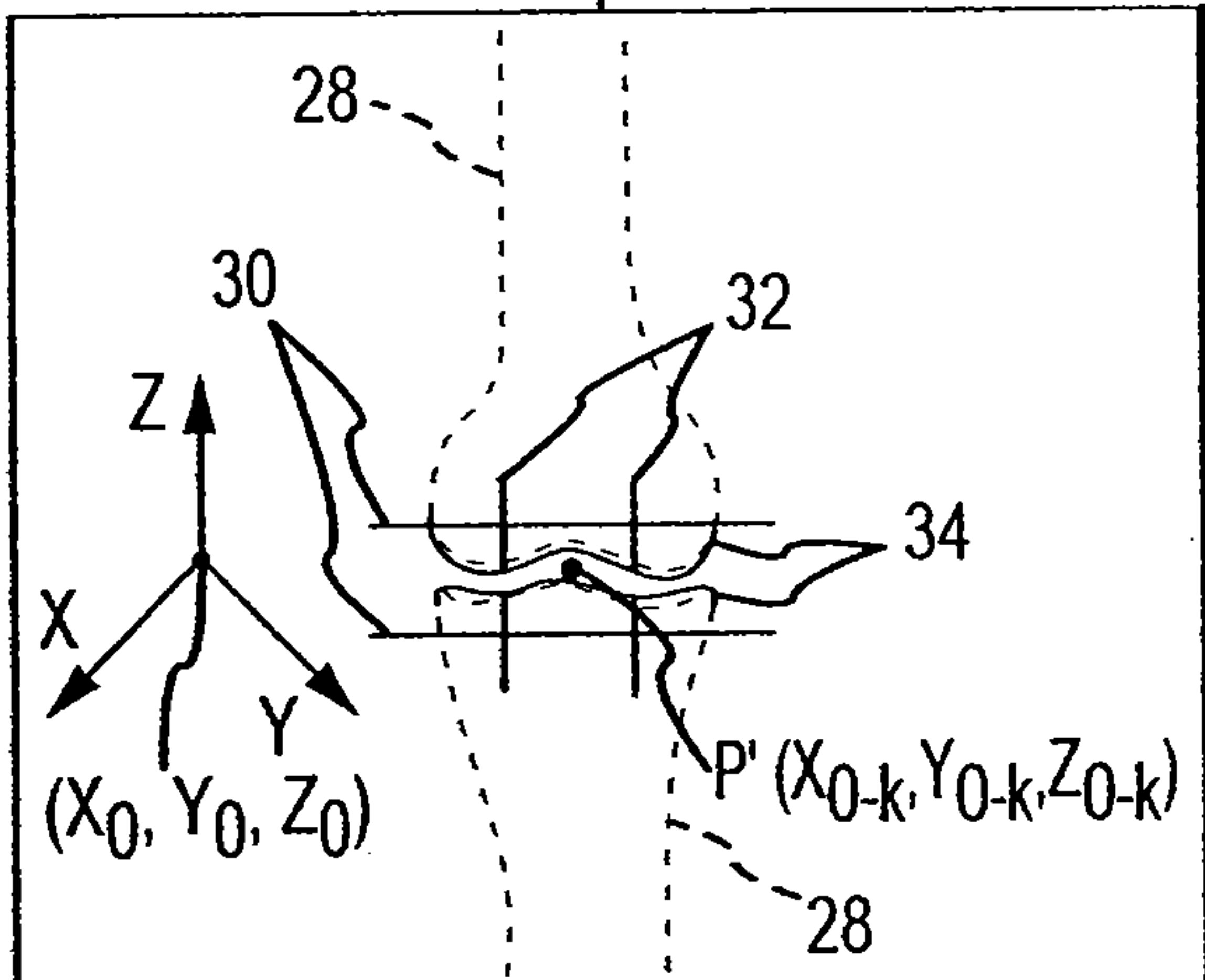


USE 2D IMAGES TO GENERATE 3D BONE-ONLY (I.E., "BONE MODELS") 22 OF BONES 18, 20 FORMING PATIENT'S JOINT 14, AND LOCATE "BONE MODELS" 22 SUCH THAT POINT P IS AT COORDINATES  $(X_{0-j}, Y_{0-j}, Z_{0-j})$  RELATIVE TO ORIGIN  $(X_0, Y_0, Z_0)$ . [BLOCK 110]

CONTINUED IN [BLOCK 125] IN FIG. 1E



RESTORE DETERIORATED SURFACES 24, 26 OF "BONE MODELS" 22 TO CREATE 3D "RESTORED BONE MODELS" 28 HAVING RESTORED SURFACES 24', 26' DEPICTING APPROXIMATE CONDITION OF BONES 18, 20 FORMING PATIENT'S JOINT 14 PRIOR TO DEGENERATION. [BLOCK 115]

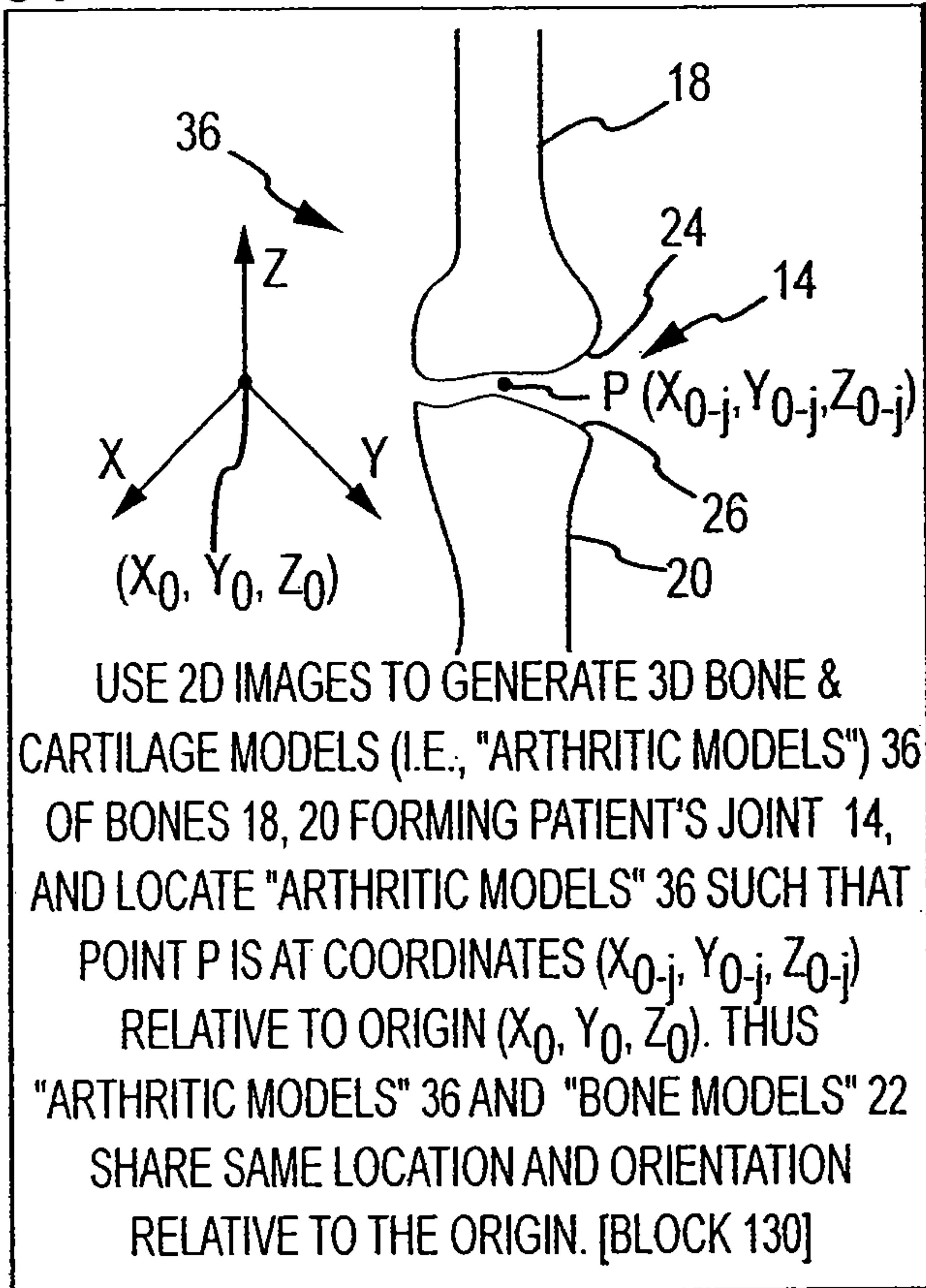


SHAPE FIT 3D ARTHROPLASTY IMPLANT MODELS 34 TO "RESTORED BONE MODELS" 28 IN PRE-OPERATIVE PLANNING ("POP") TO DETERMINE SAW CUT AND DRILL HOLE LOCATIONS 30, 32 IN PATIENT'S BONE THAT WILL ALLOW ACTUAL ARTHROPLASTY IMPLANTS TO GENERALLY RESTORE PATIENT'S JOINT LINE TO ITS PRE-DEGENERATIVE ALIGNMENT. [BLOCK 120]

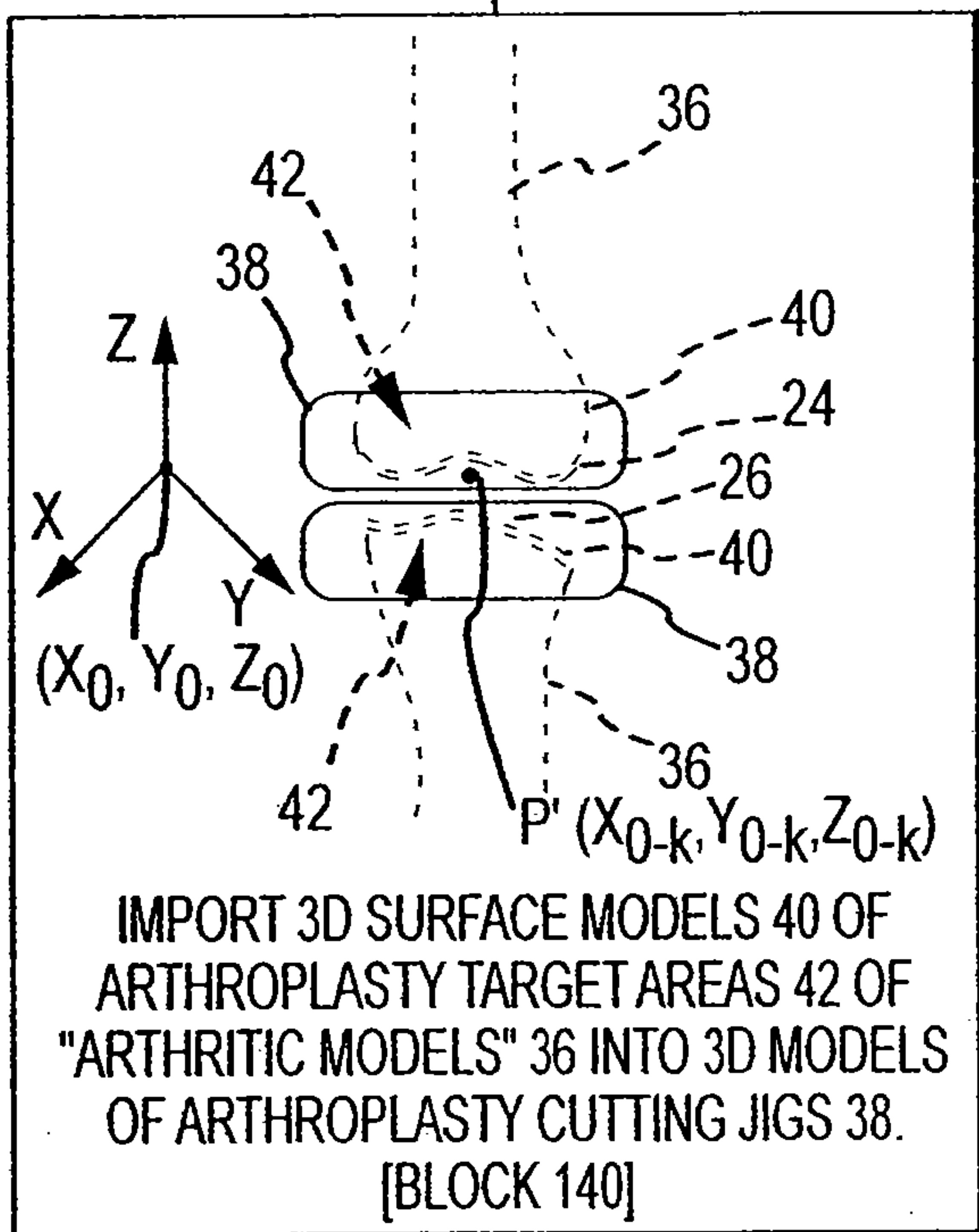
FIG. 1C

4/34

FROM [BLOCK 105] IN FIG. 1B



TO [BLOCK 145] IN FIG. 1E

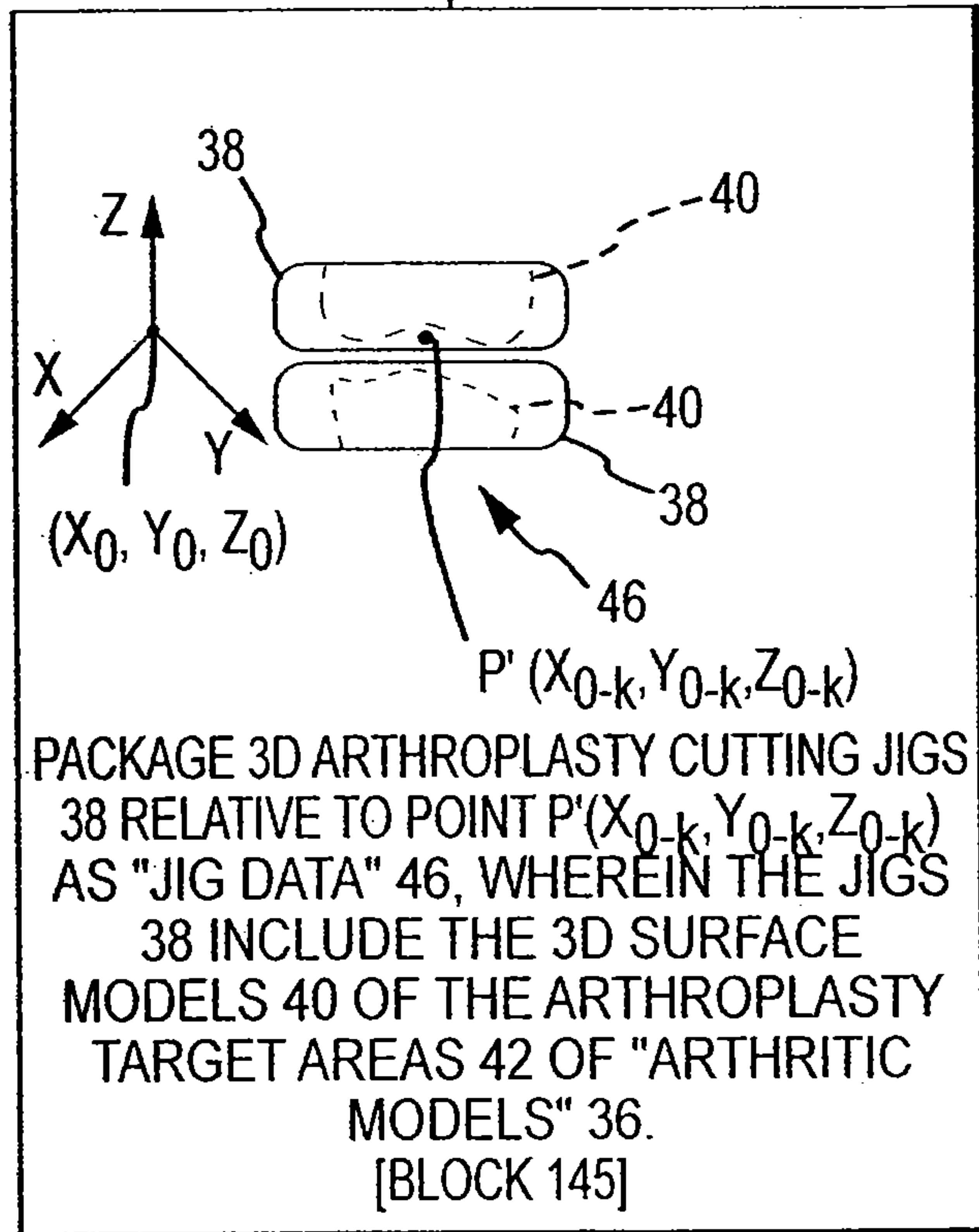


FOR ANY MOVEMENT OF "RESTORED BONE MODELS" 28 IN POP [BLOCK 120] OR ANY OTHER PROCESS INVOLVING "BONE MODELS" 22 OR "RESTORED BONE MODELS" 28 FROM POINT P AT COORDINATES  $(X_{0-j}, Y_{0-j}, Z_{0-j})$  TO POINT P' AT COORDINATES  $(X_{0-k}, Y_{0-k}, Z_{0-k})$ , CAUSE IDENTICAL MOVEMENT IN 3D "ARTHRITIC MODELS" 36 SUCH THAT LOCATION AND ORIENTATION OF "ARTHRITIC MODELS" 36 MATCH THOSE OF THE "BONE MODELS" 22 AND "RESTORED BONE MODELS" 28. [BLOCK 135]

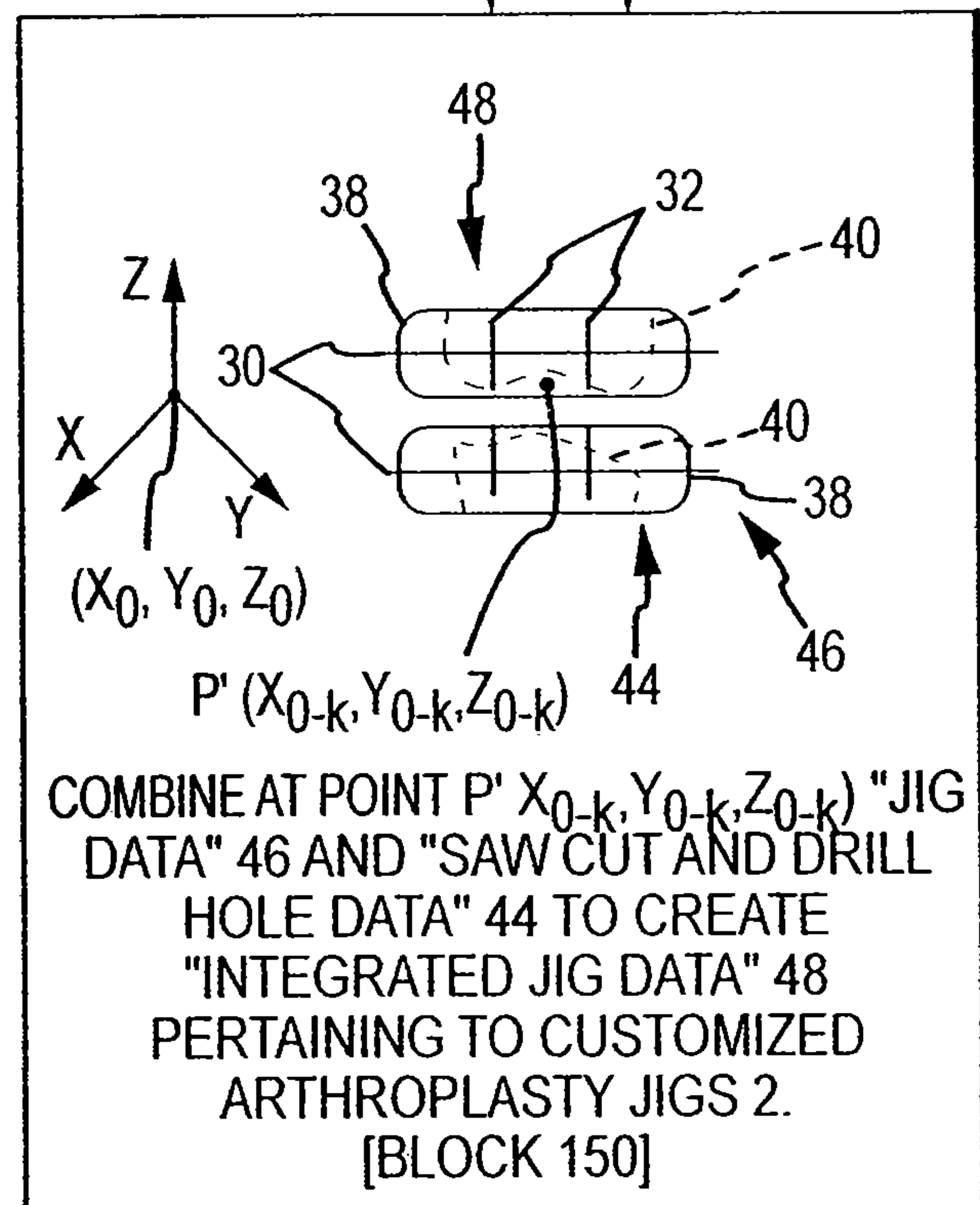
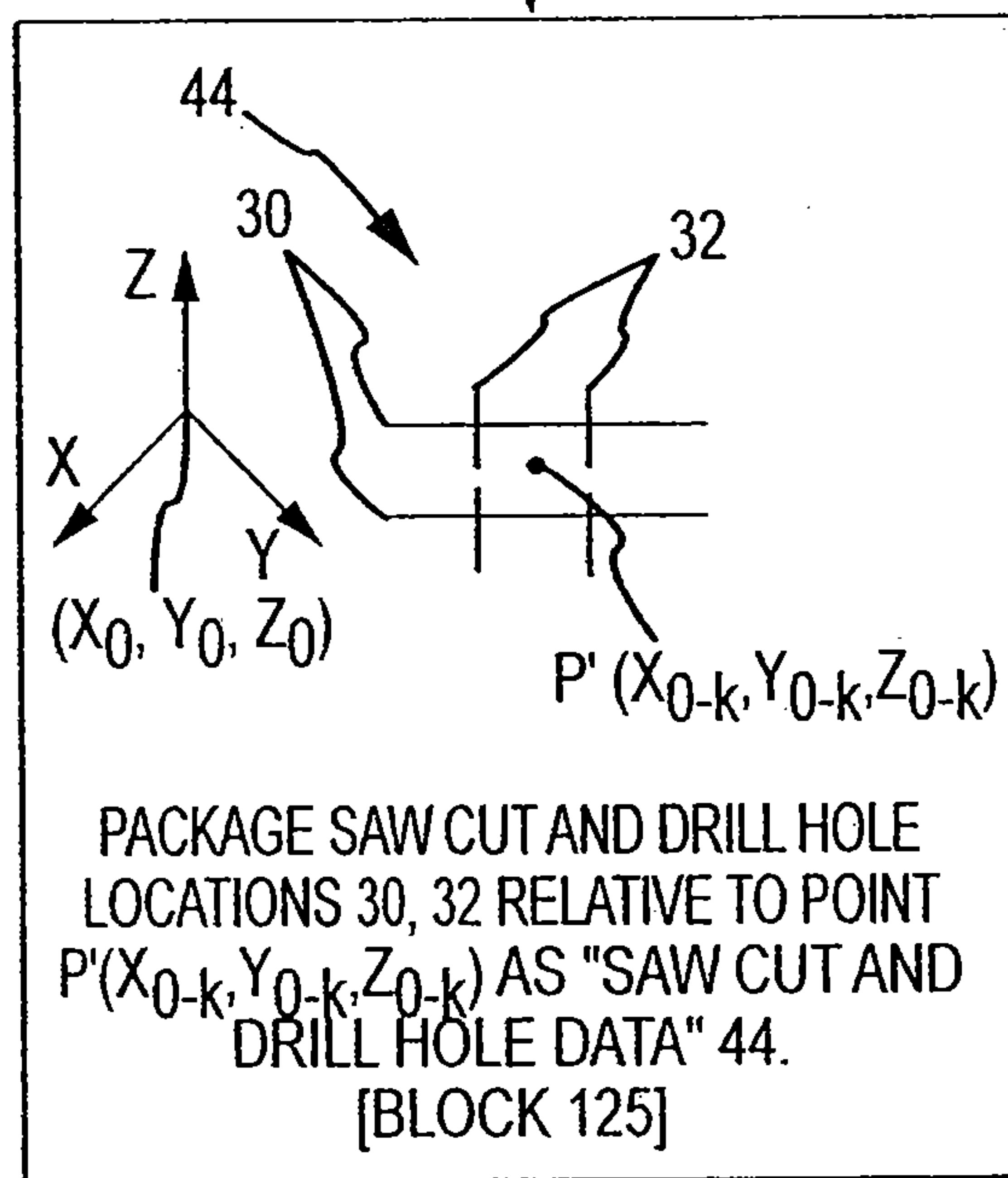
FIG. 1D

5/34

FROM [BLOCK 140] IN FIG. 1D



FROM [BLOCK 120] IN FIG. 1C



TRANSFER FROM COMPUTER 6 TO CNC MACHINE 10 "INTEGRATED JIG DATA" 48 FOR CUSTOMIZED ARTHROPLASTY JIGS 2.  
[BLOCK 155]

PROVIDE JIG BLANKS 50 TO CNC MACHINE 10 FOR MACHINING.  
[BLOCK 160]

EMPLOY "INTEGRATED JIG DATA" 48 TO MACHINE CUSTOMIZED ARTHROPLASTY JIGS 2 FROM JIG BLANKS 50 VIA CNC MACHINE 10.  
[BLOCK 165]

FIG. 1E

6/34

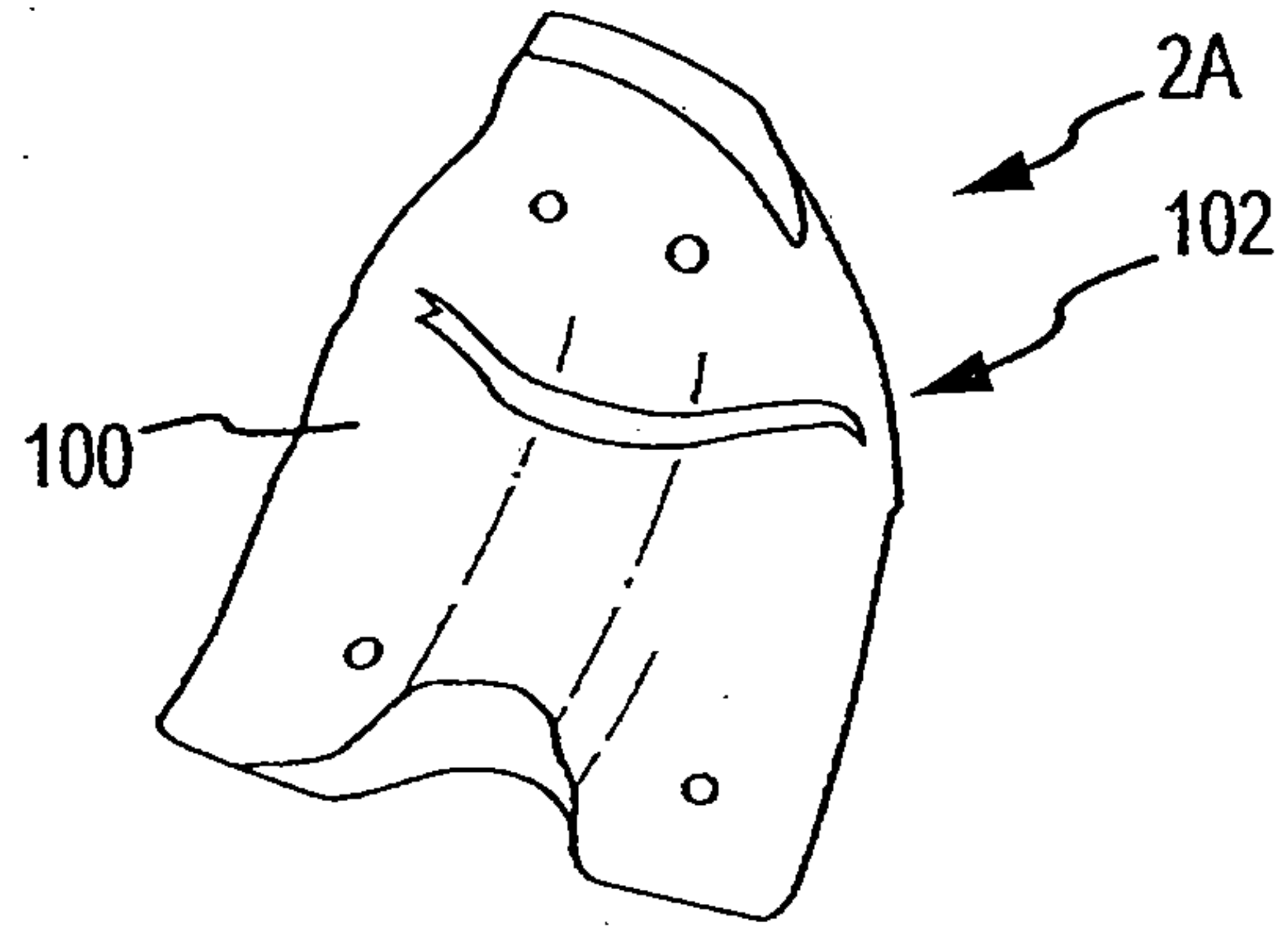


FIG. 1F

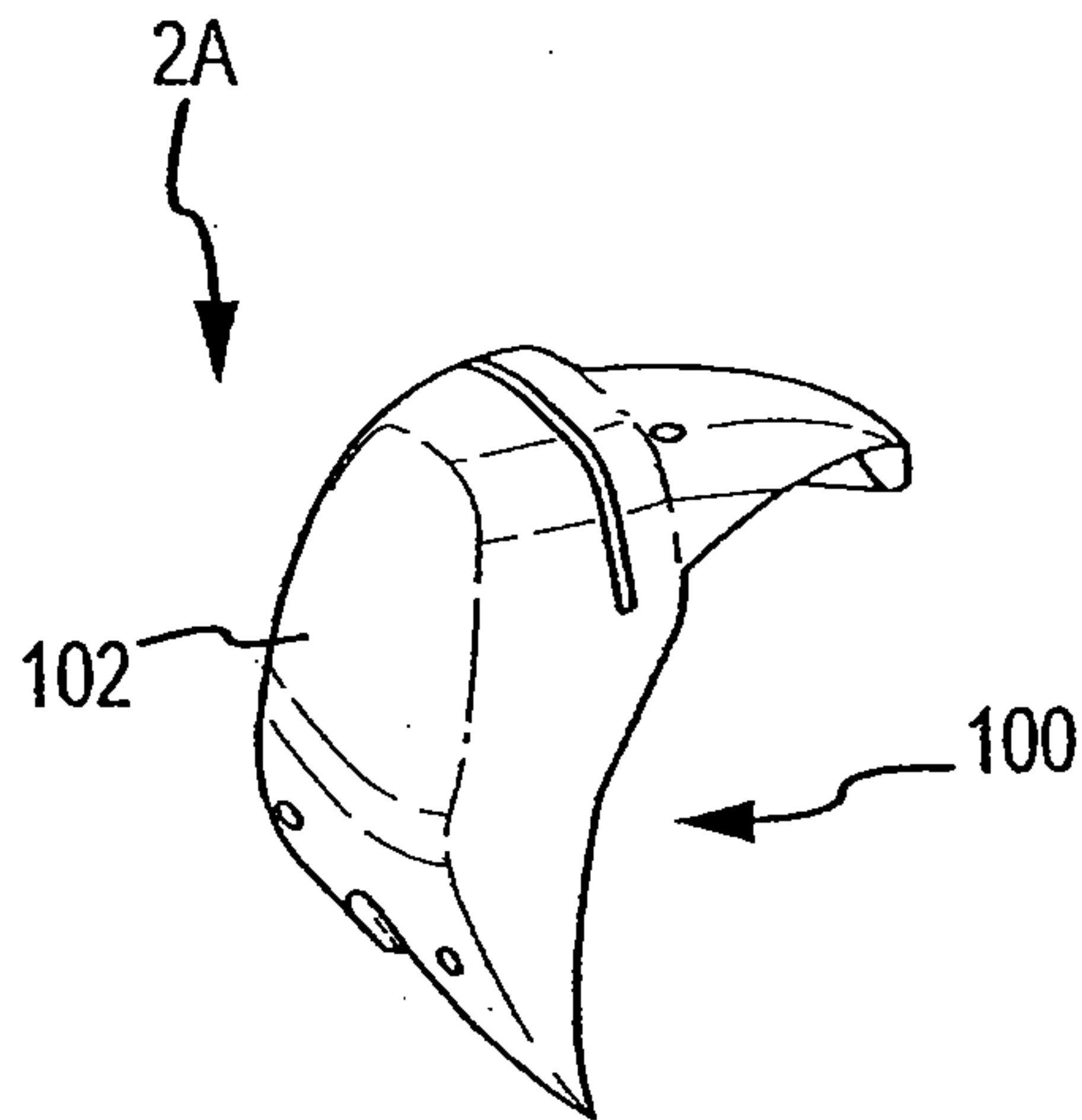


FIG. 1G

7/34

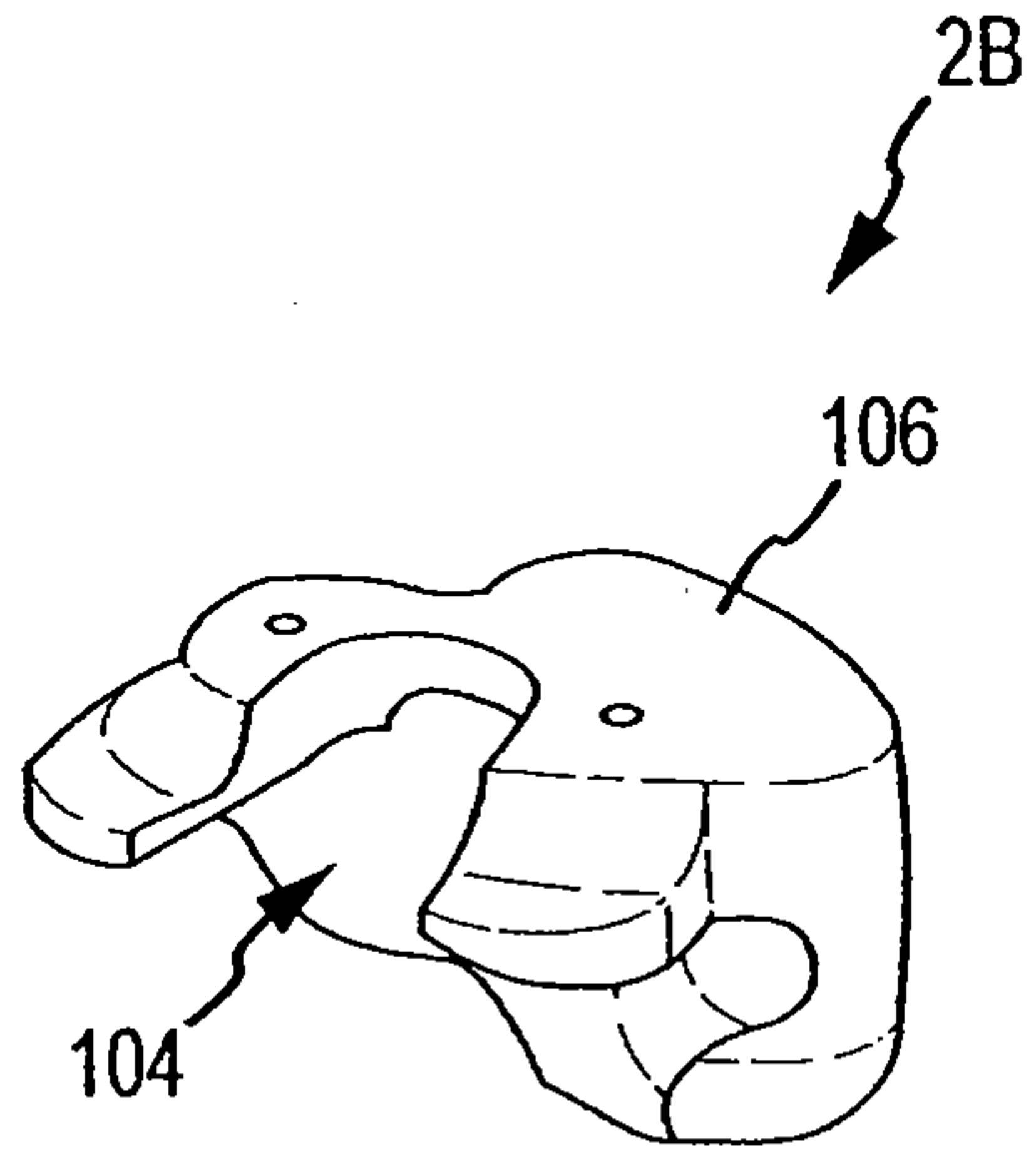


FIG. 1H

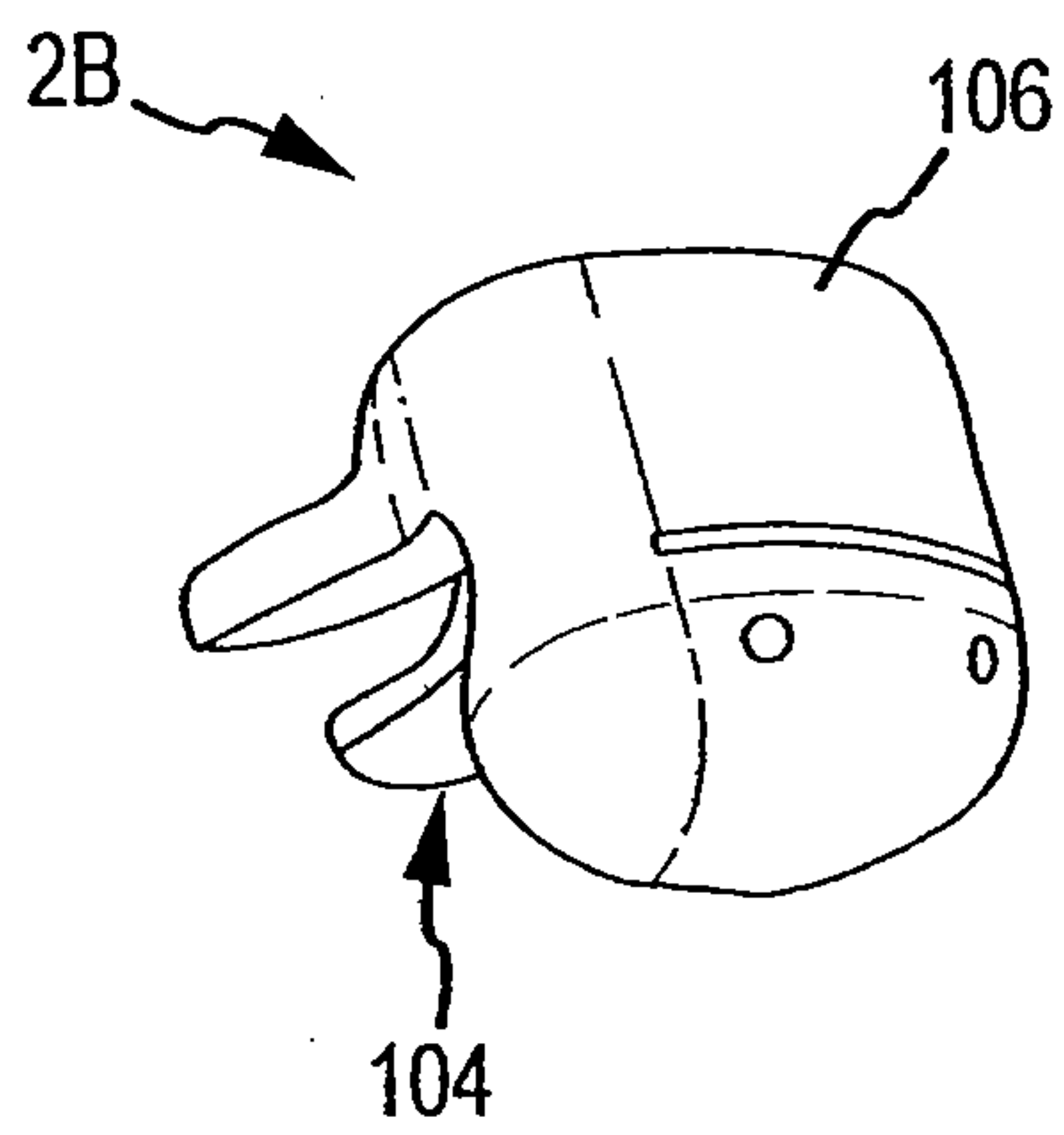


FIG. 1I

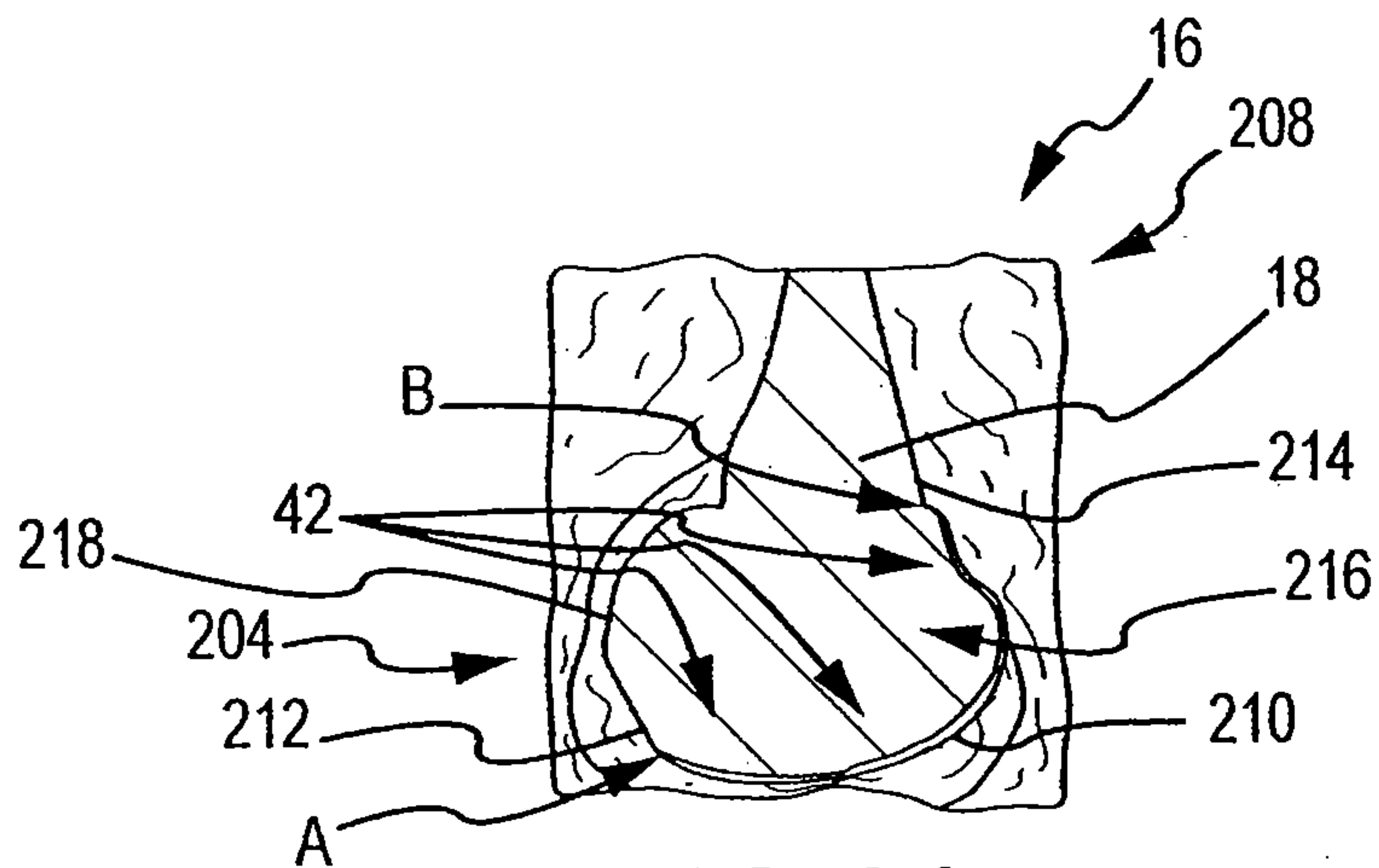


FIG. 2A

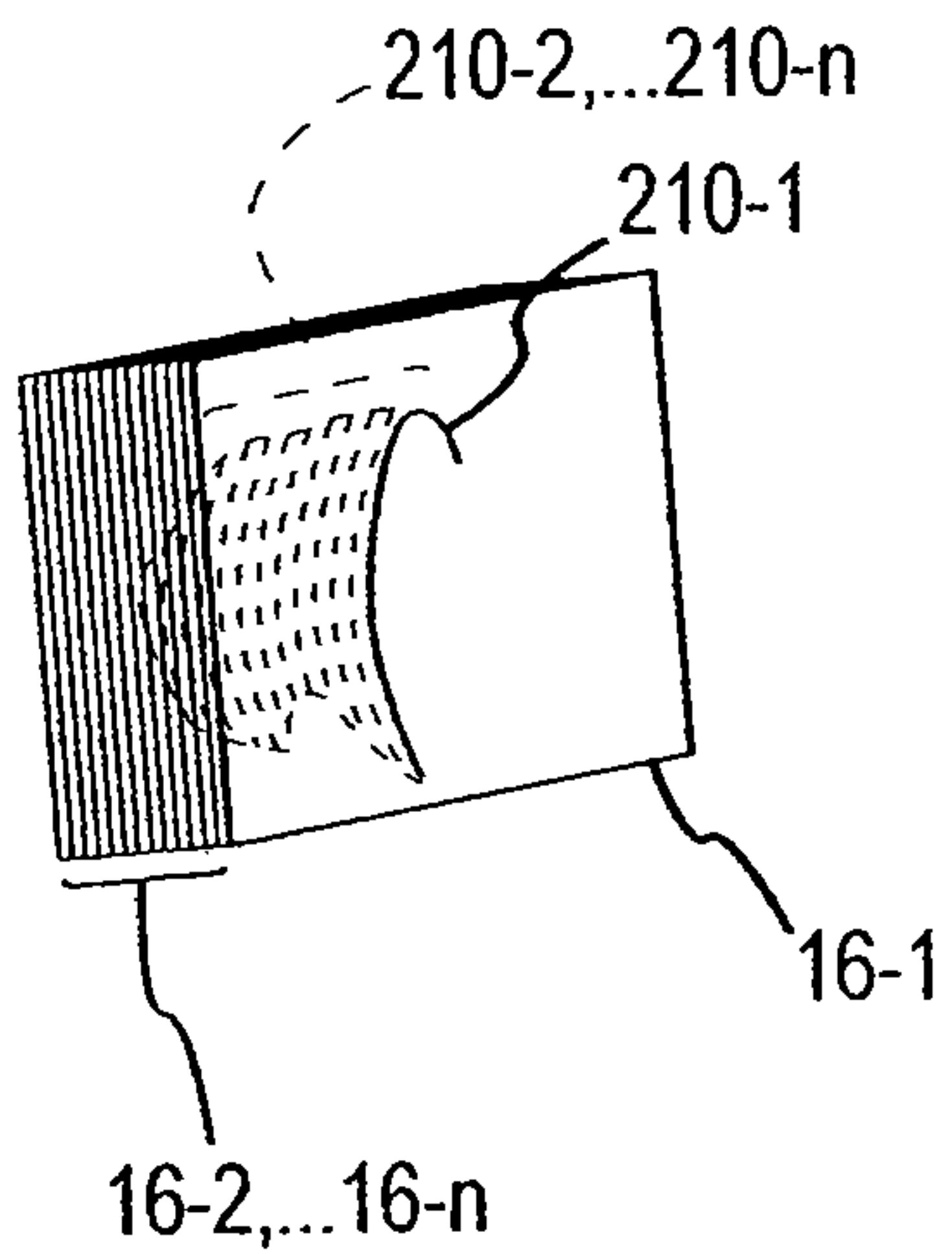


FIG. 2B

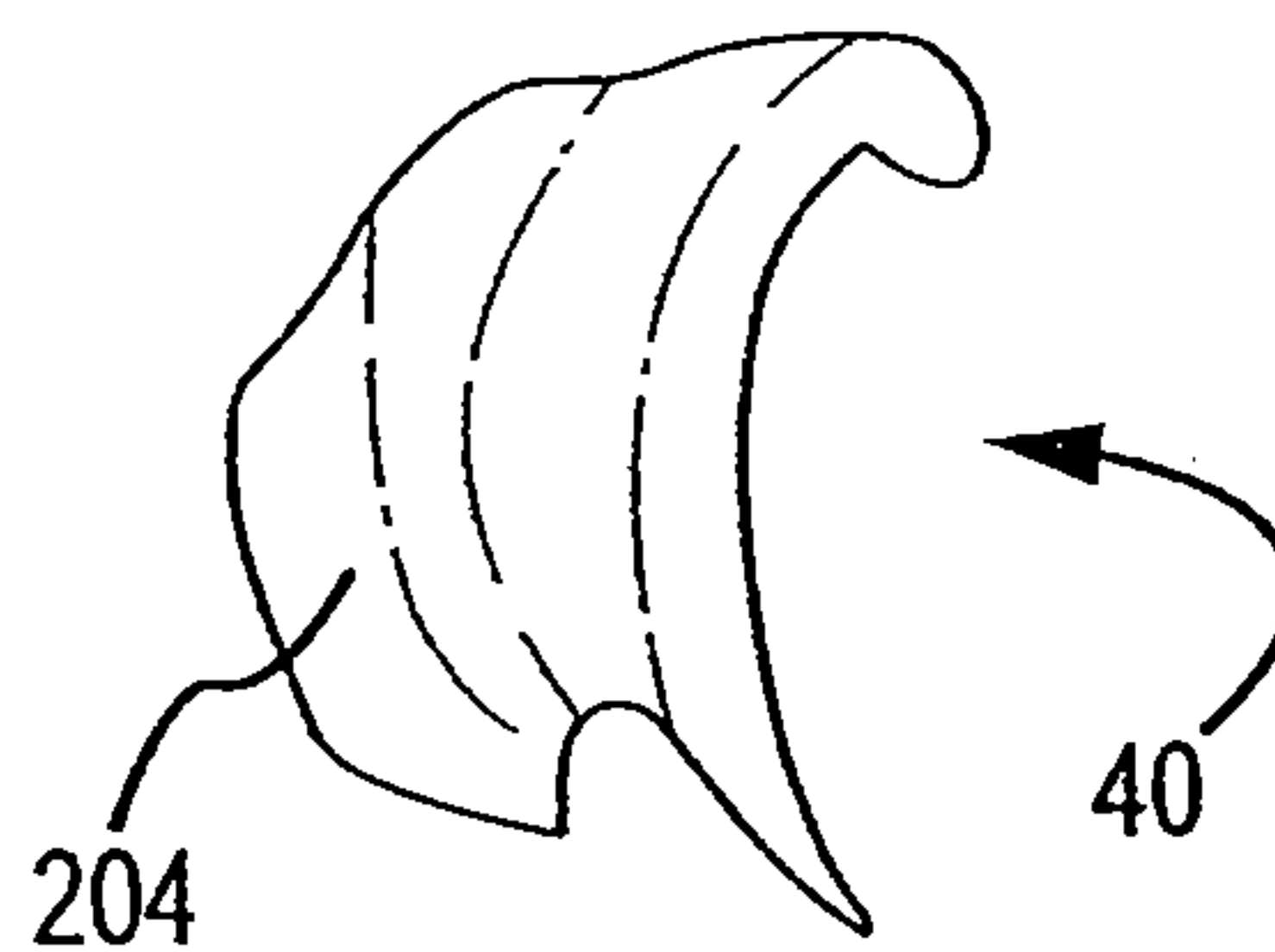


FIG. 2C

9/34

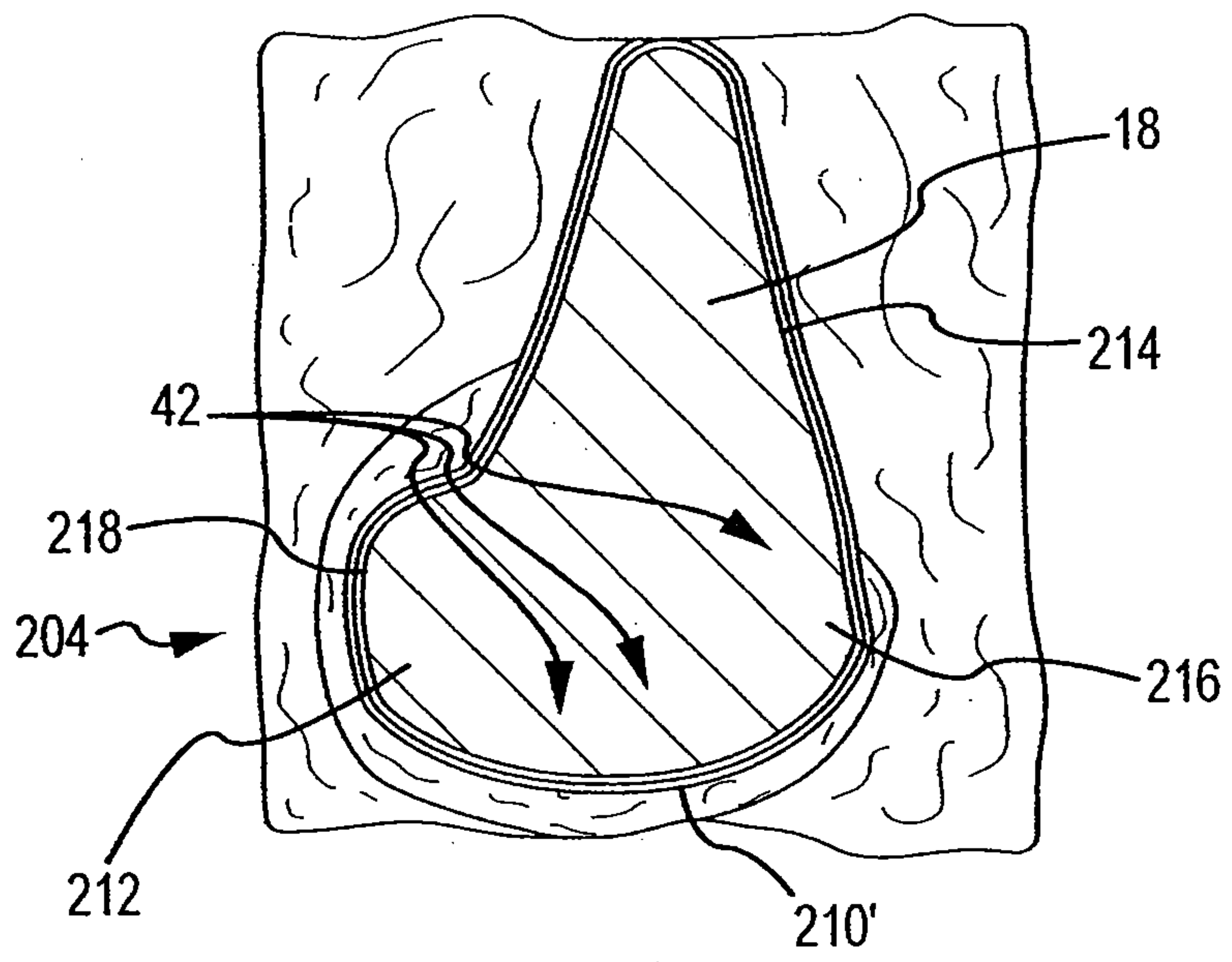


FIG. 2D

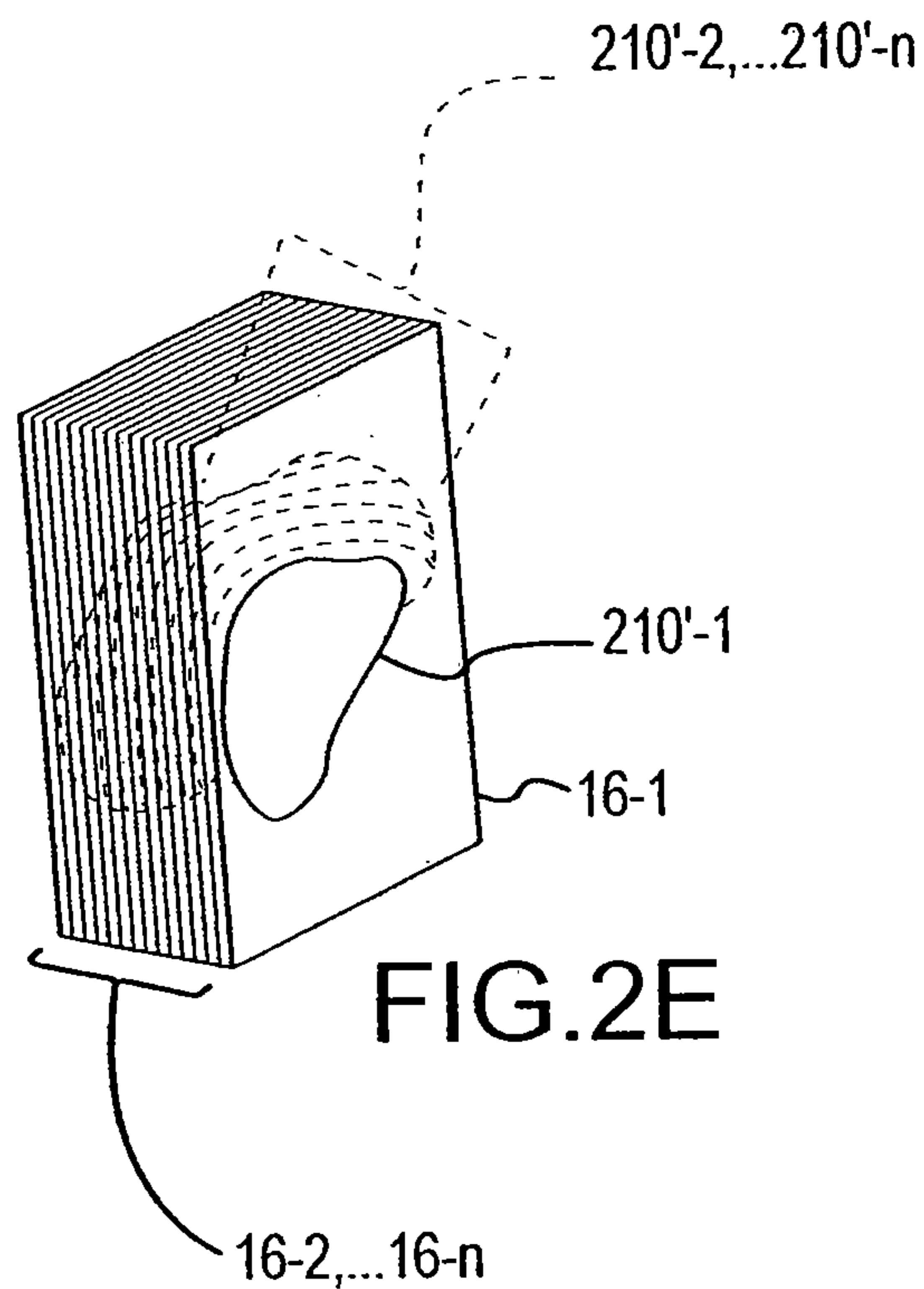


FIG. 2E

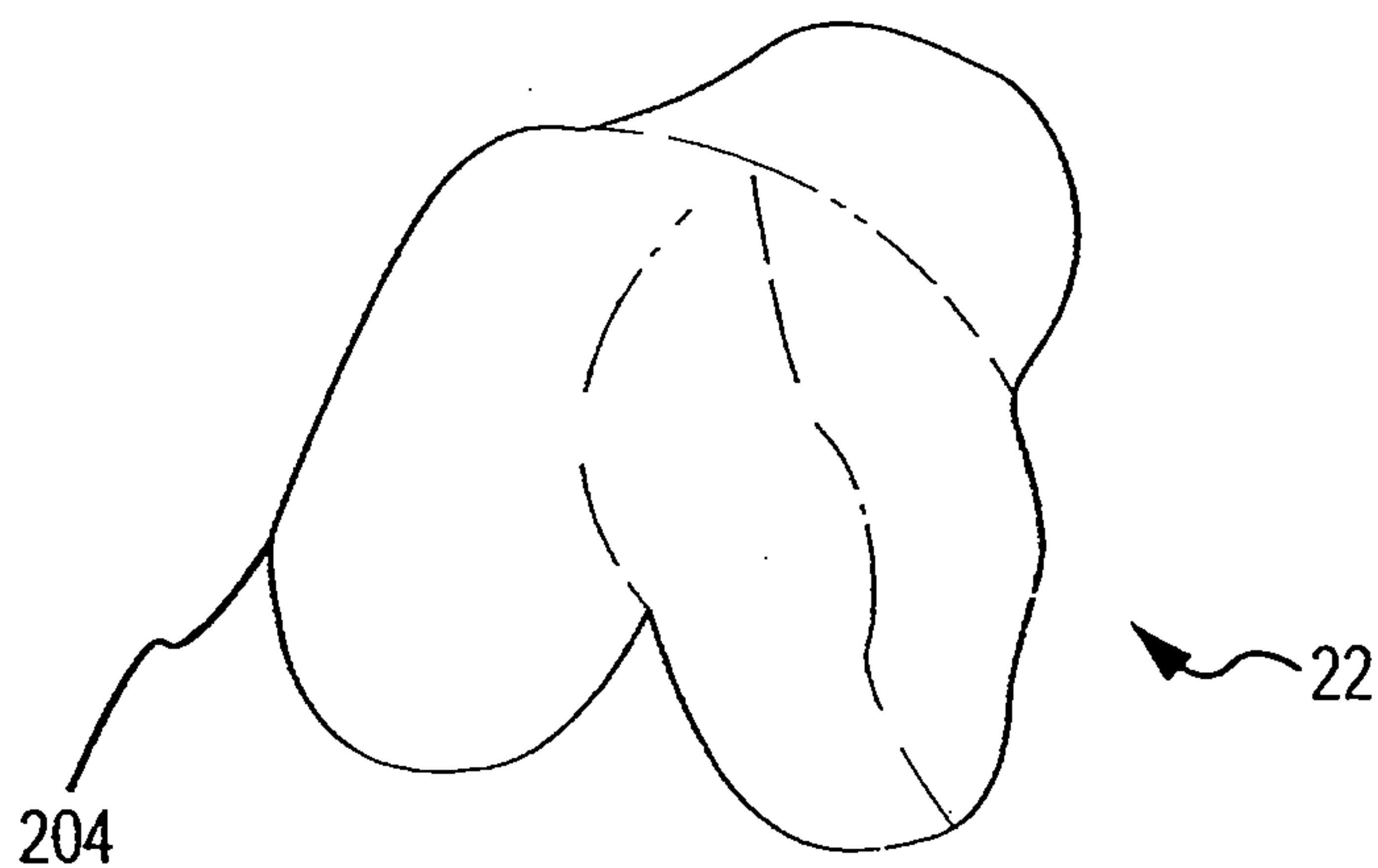


FIG. 2F

10/34

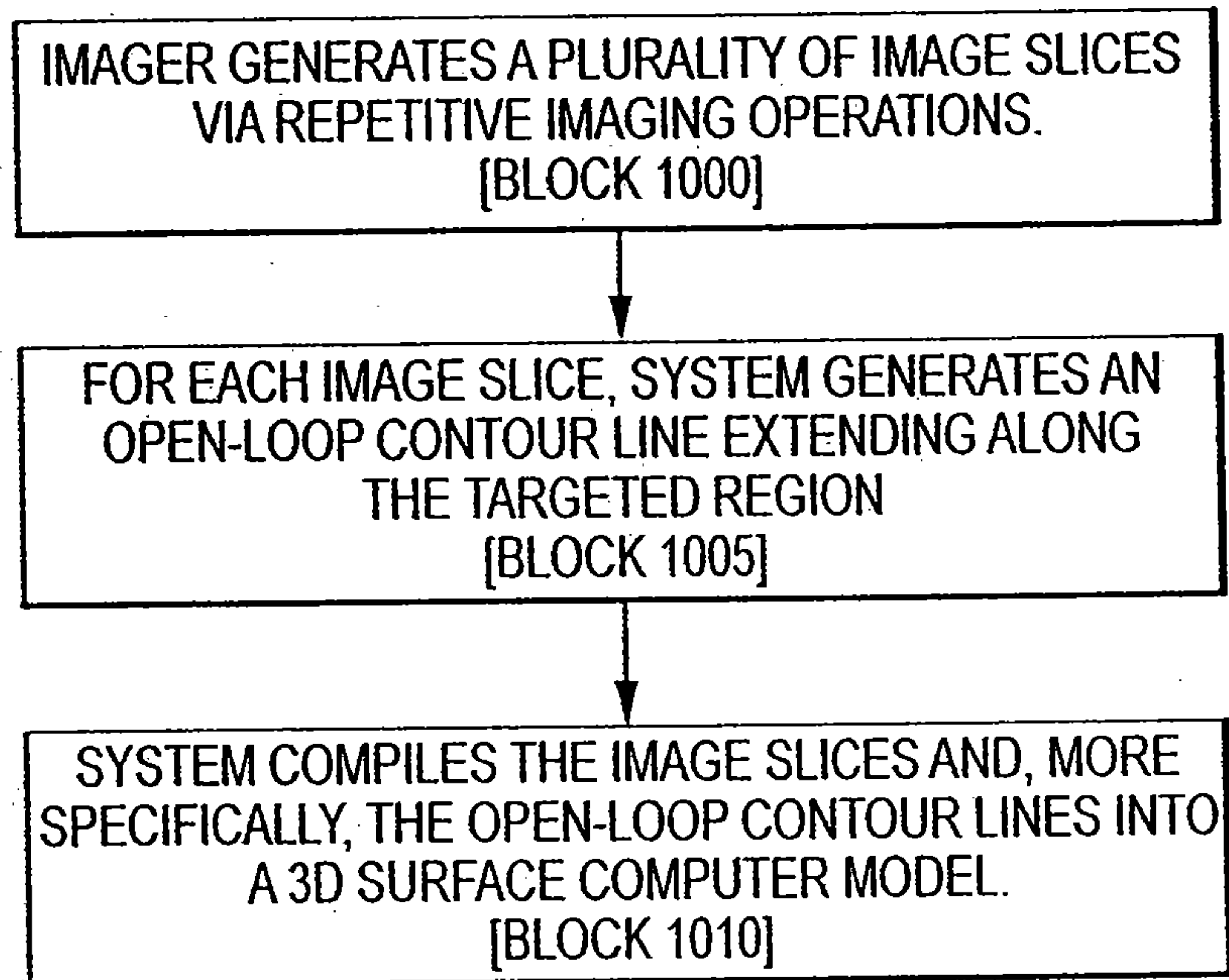


FIG.2G



11/34

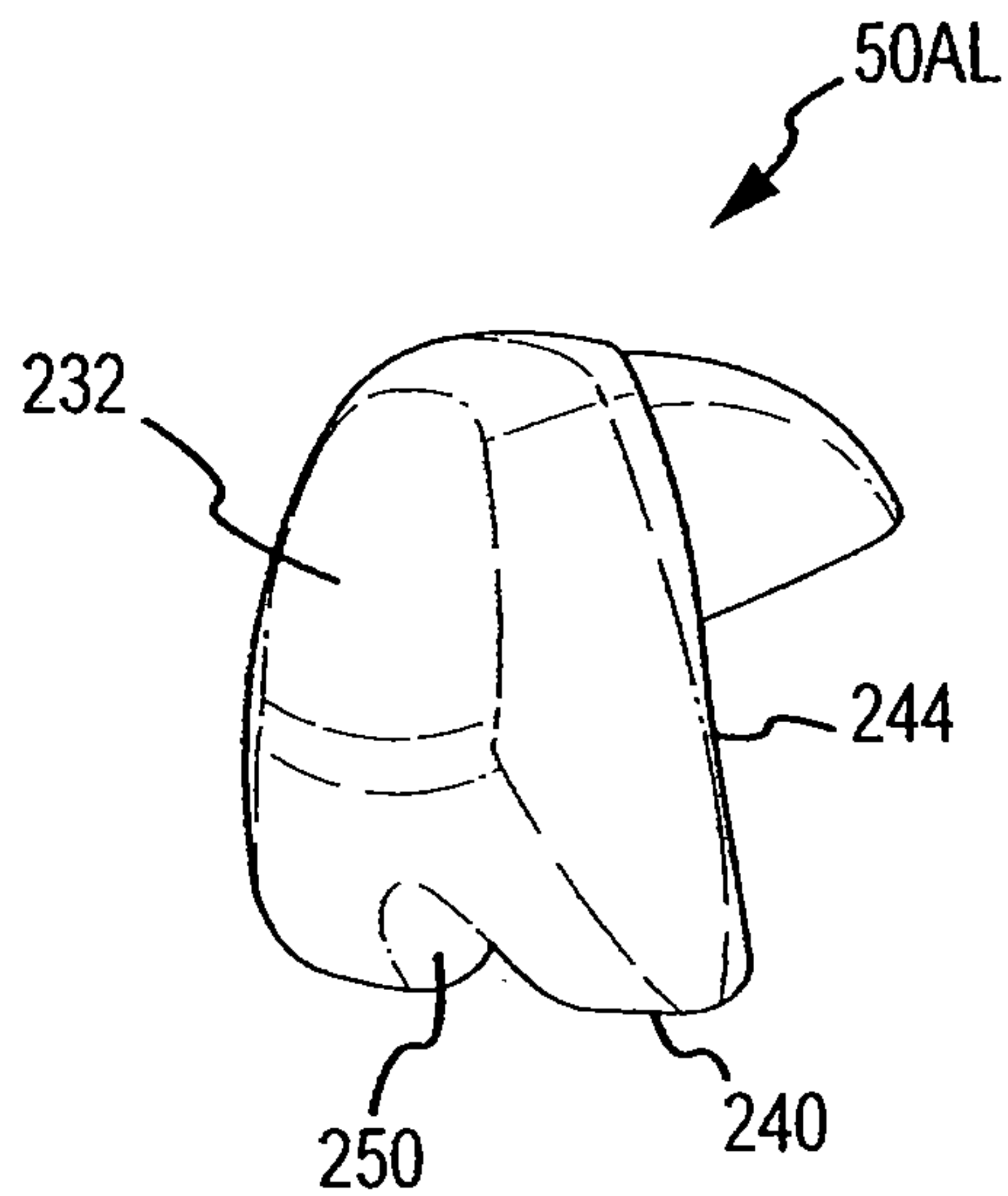


FIG. 3A

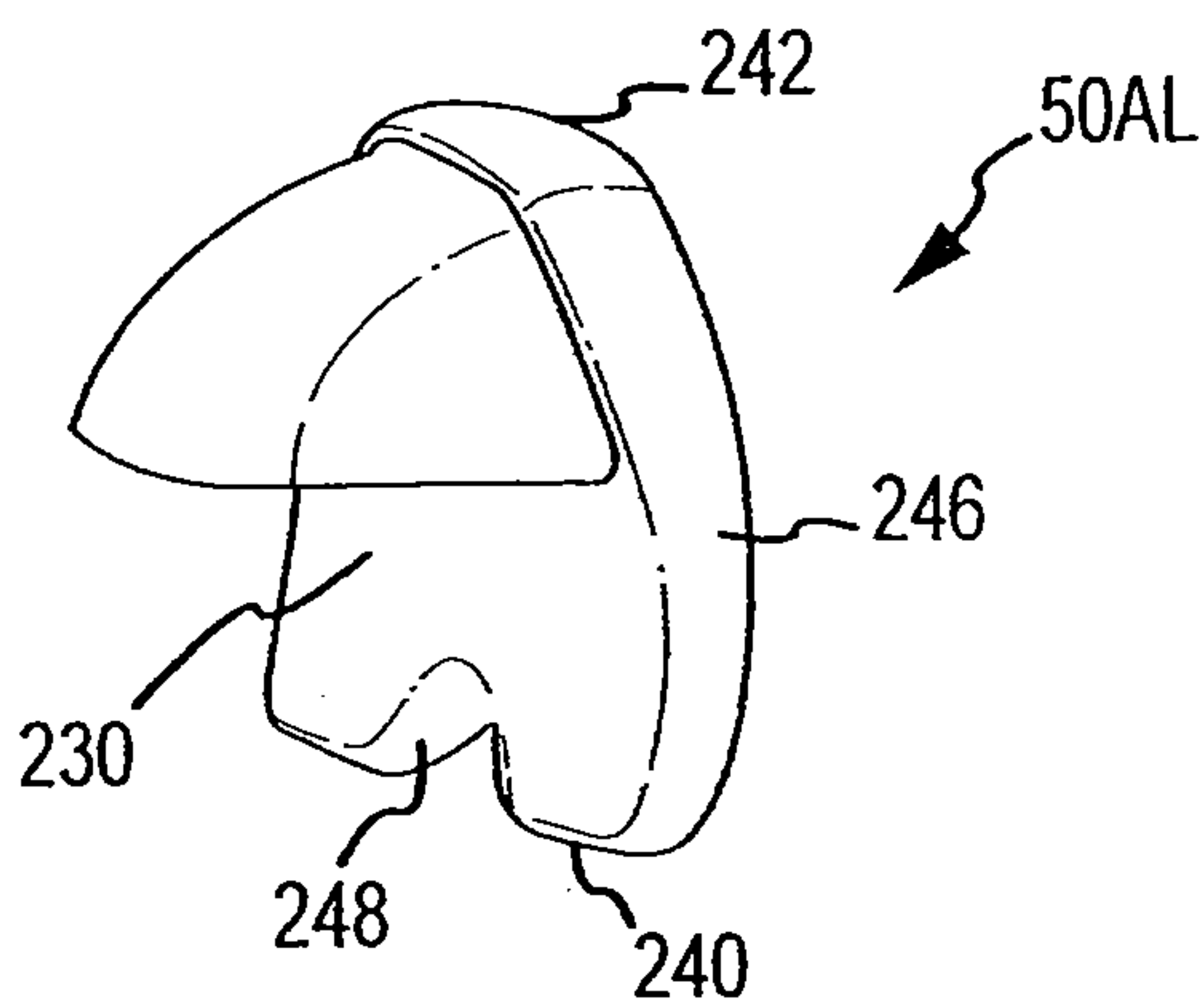


FIG. 3B

12/34

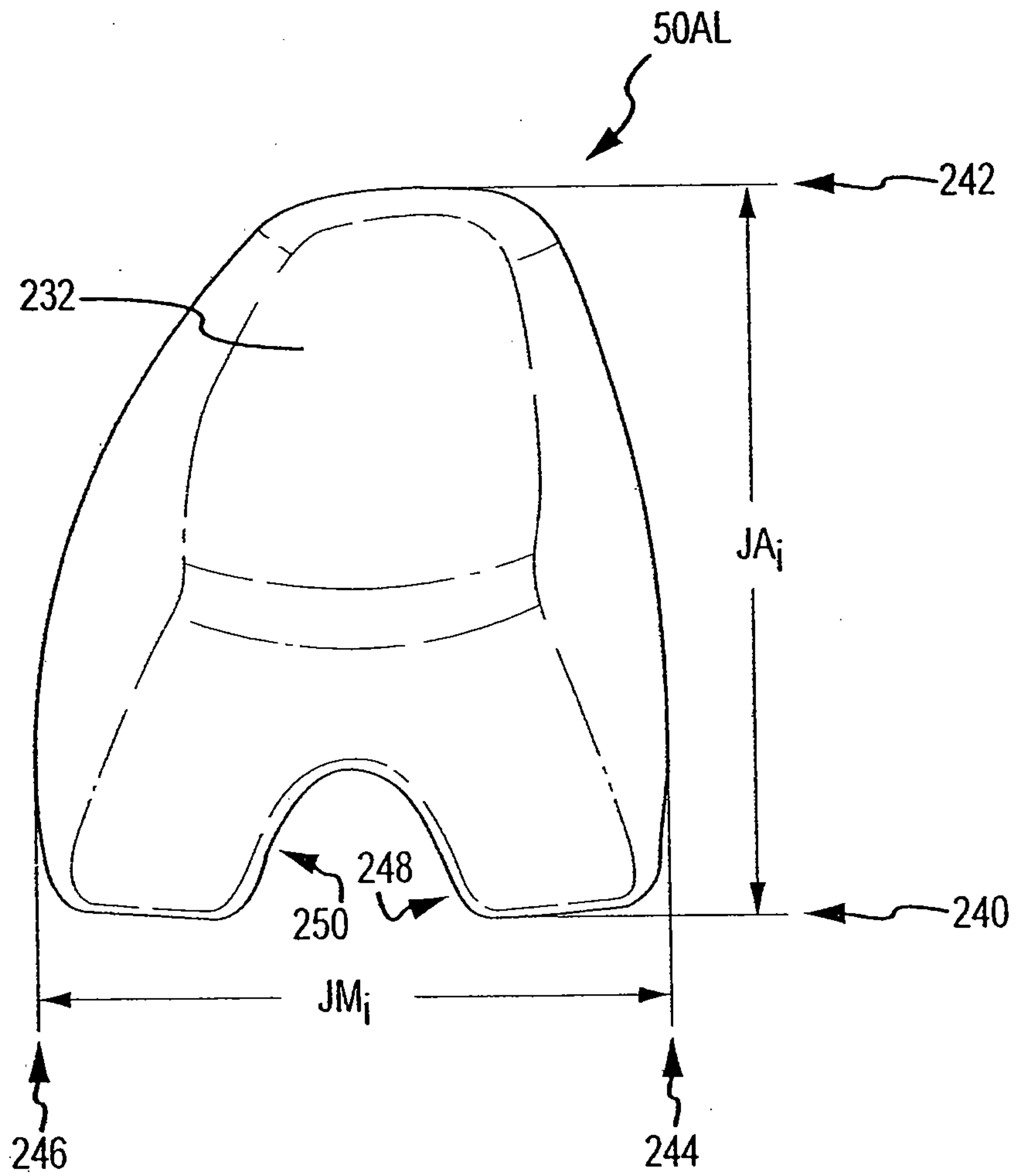


FIG.3C

13/34

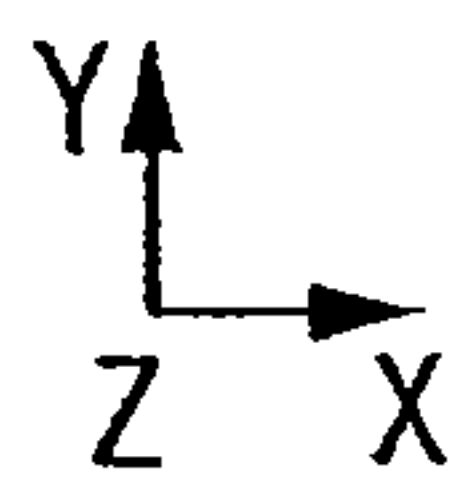
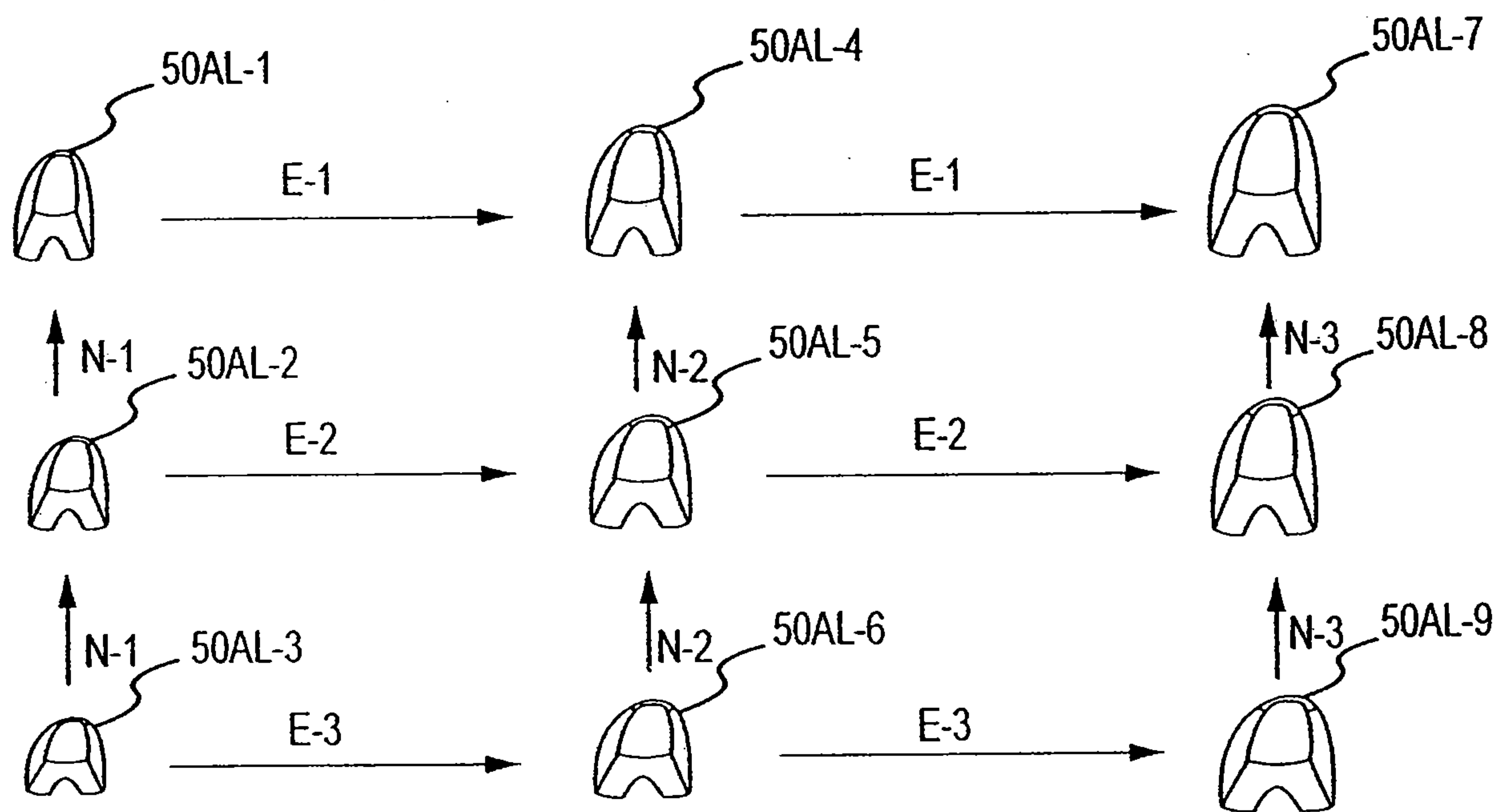


FIG.4A

14/34

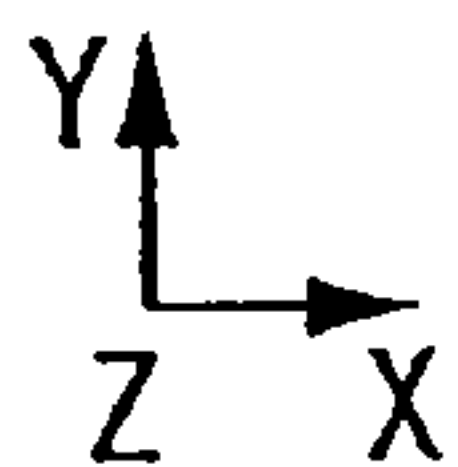
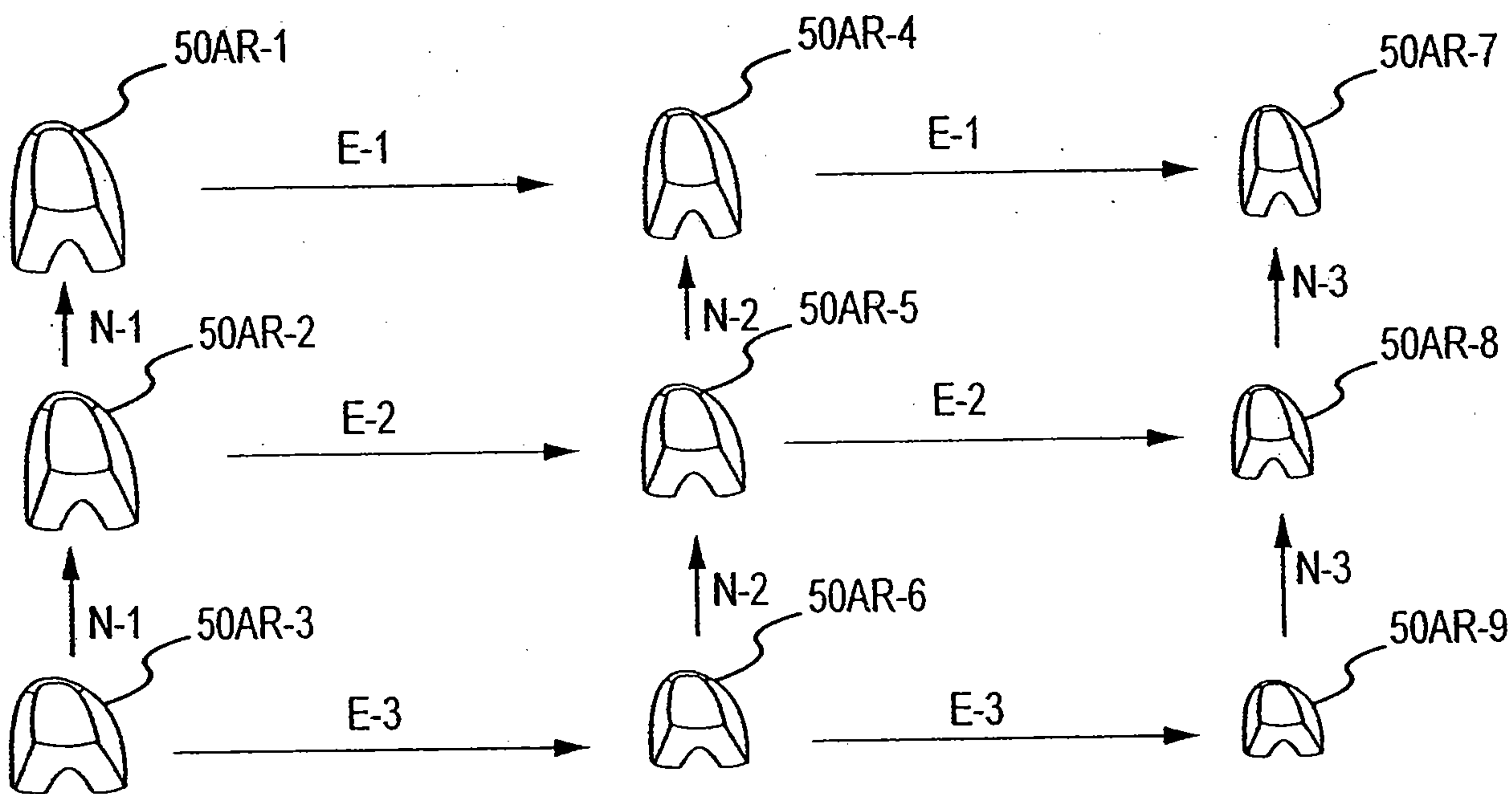


FIG.4B

15/34

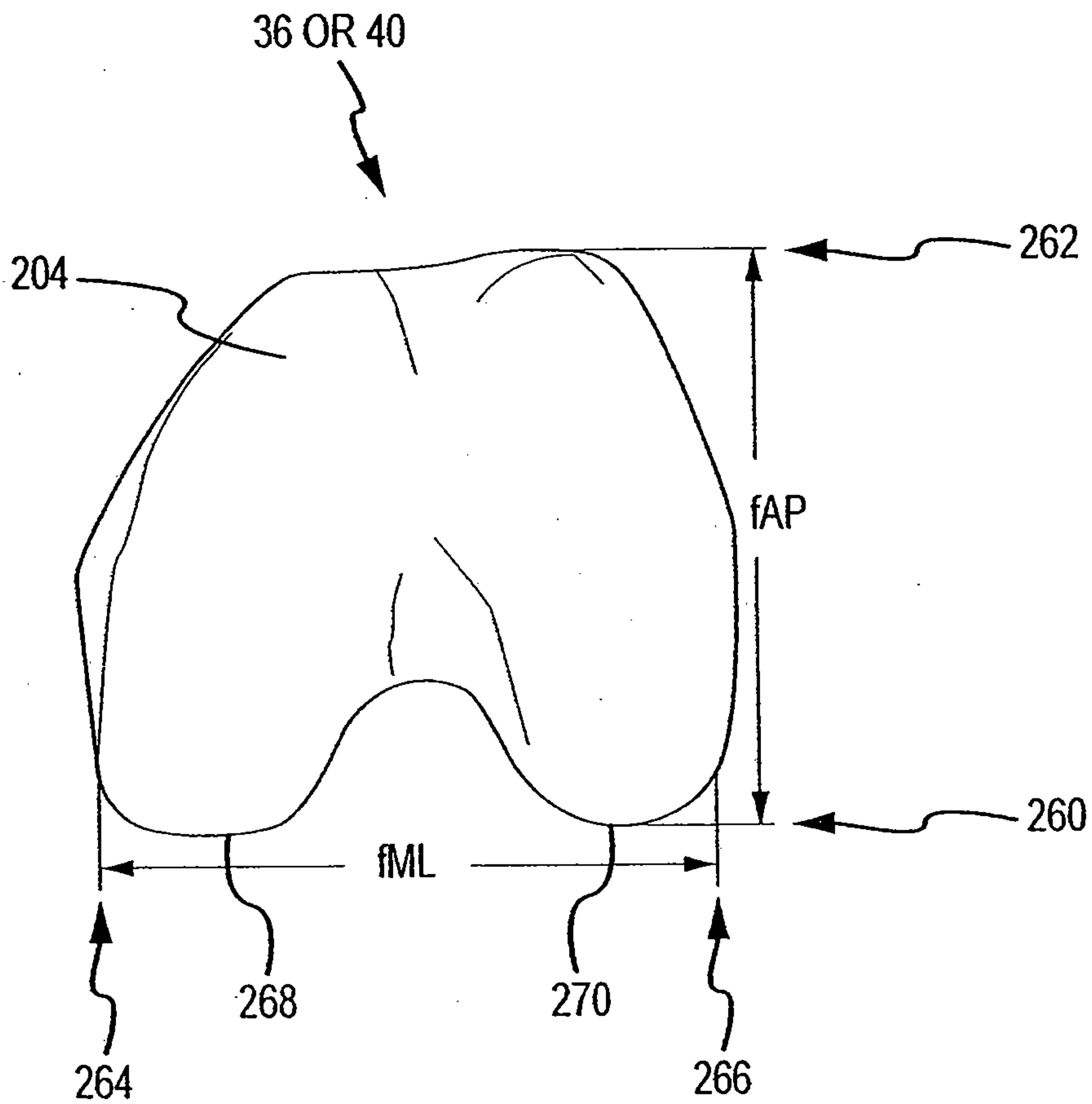


FIG.5

16/34

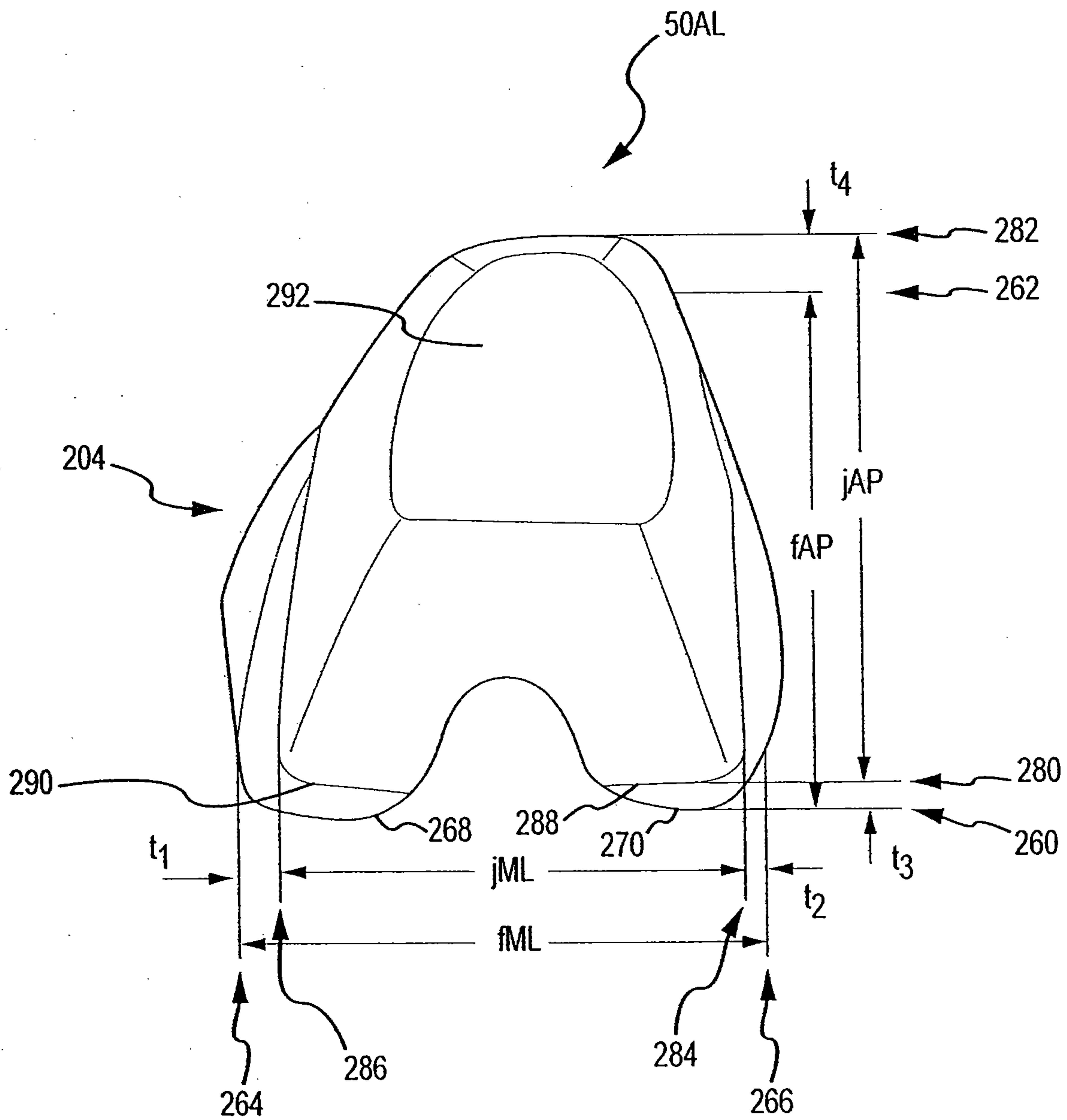


FIG.6

17/34

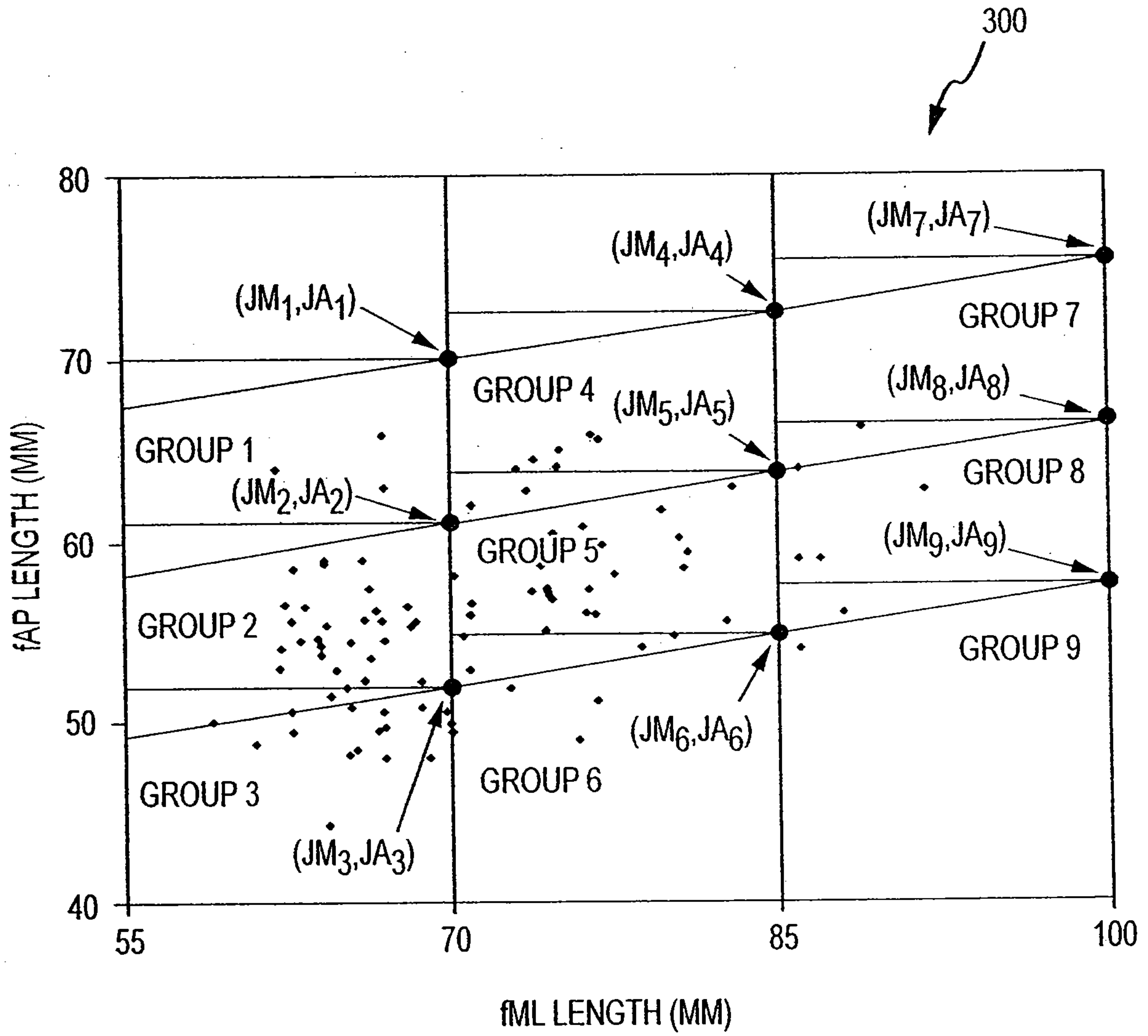


FIG.7A

18/34

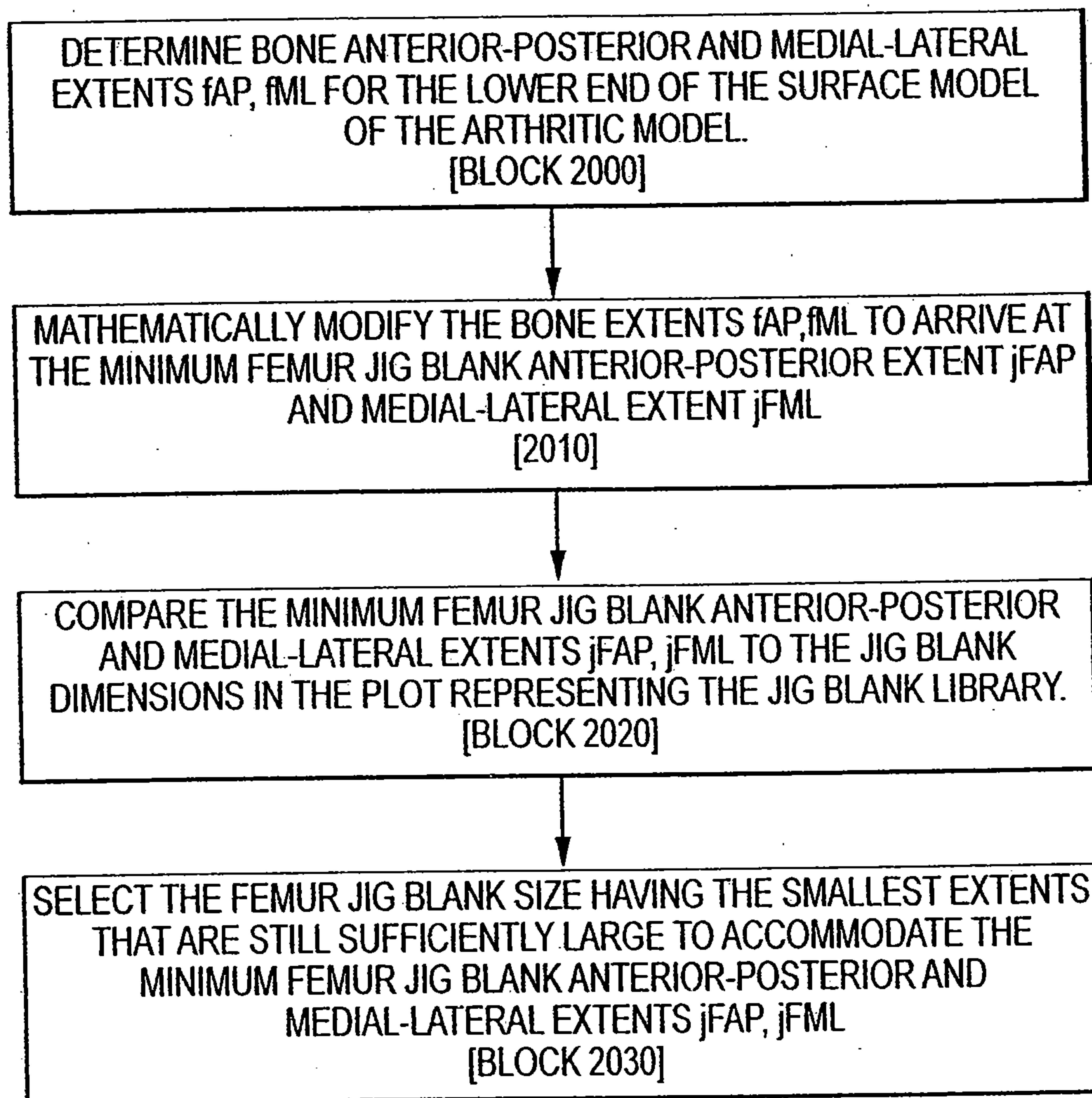


FIG.7B



19/34

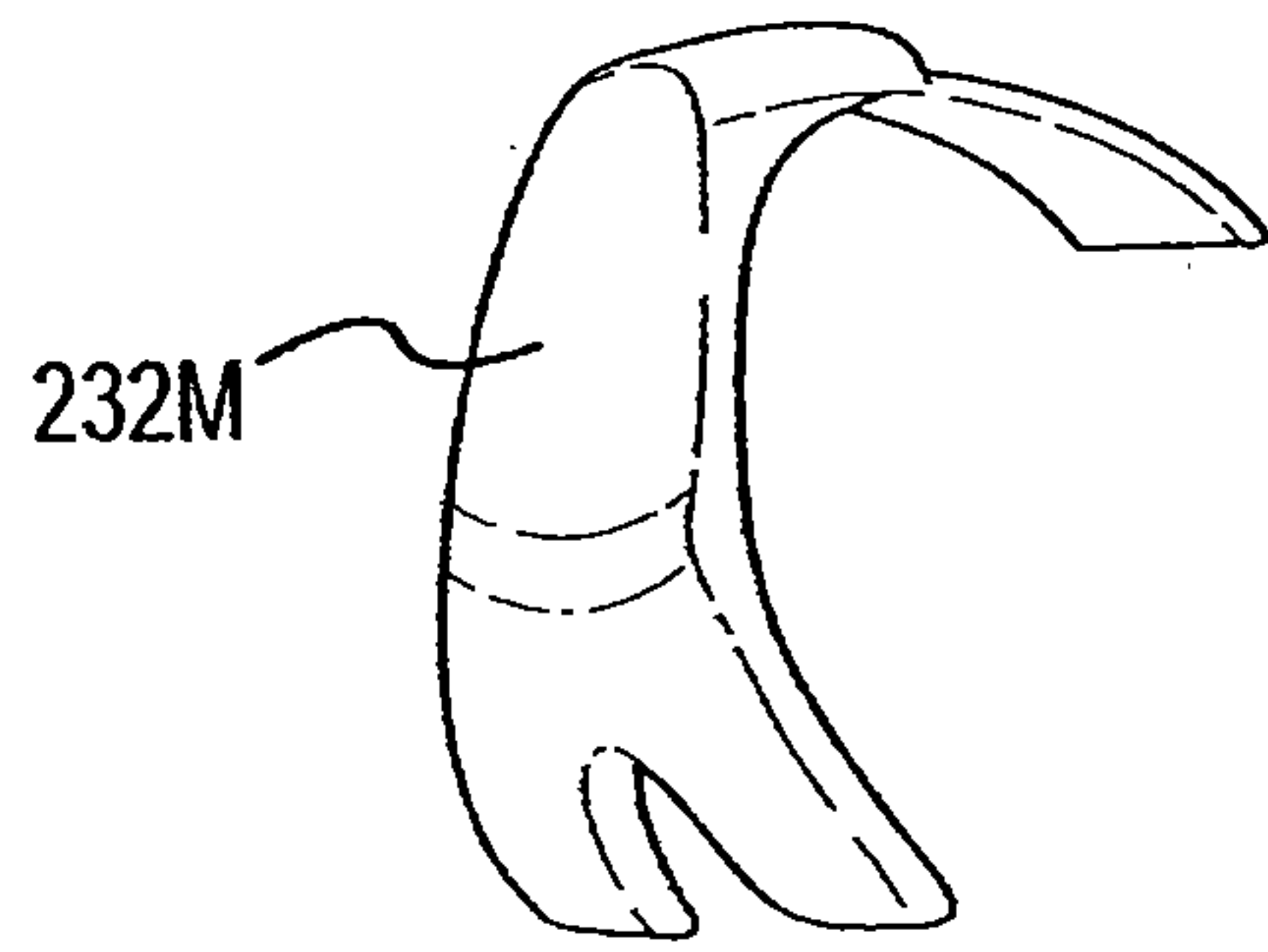


FIG. 8A

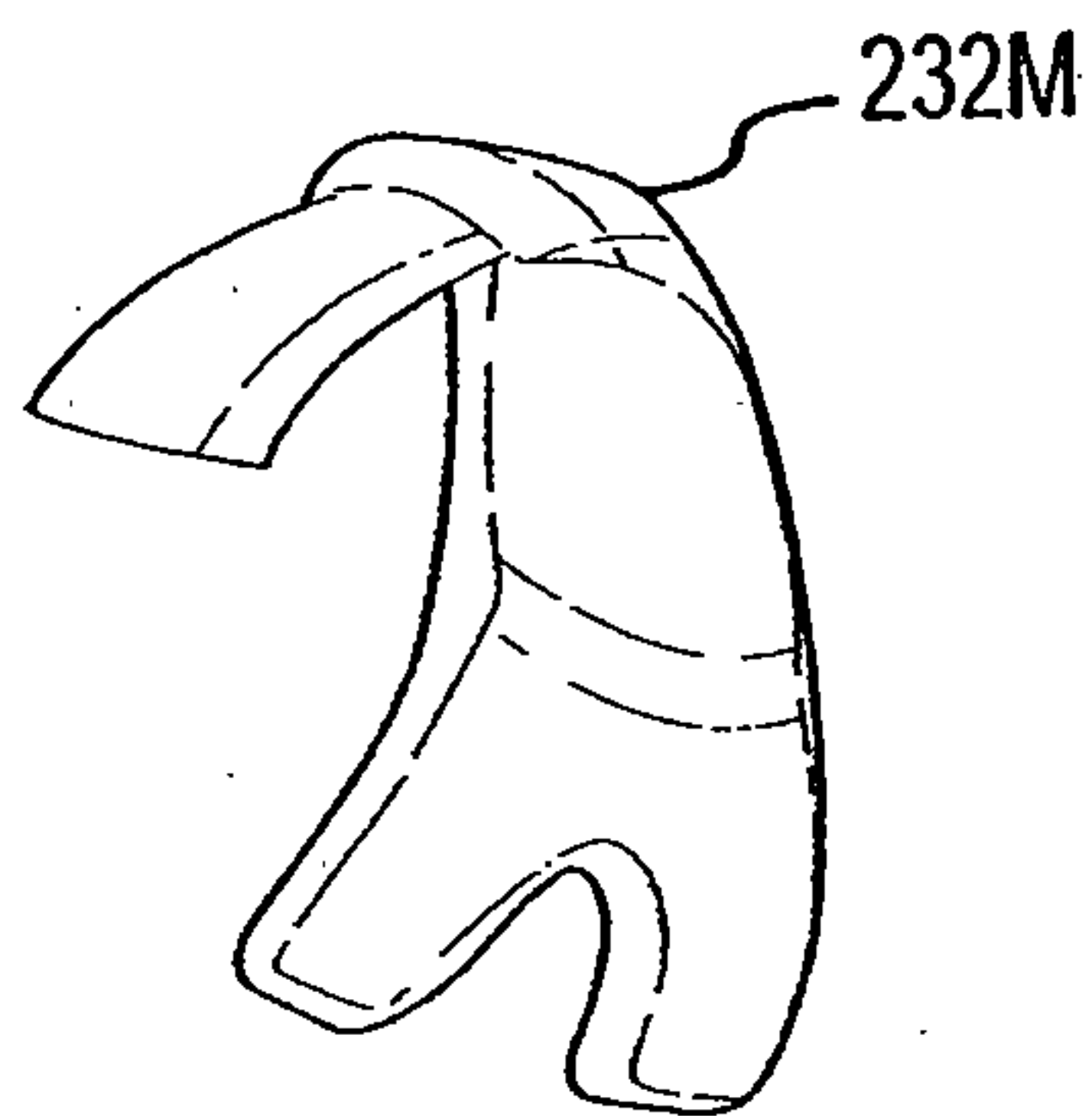
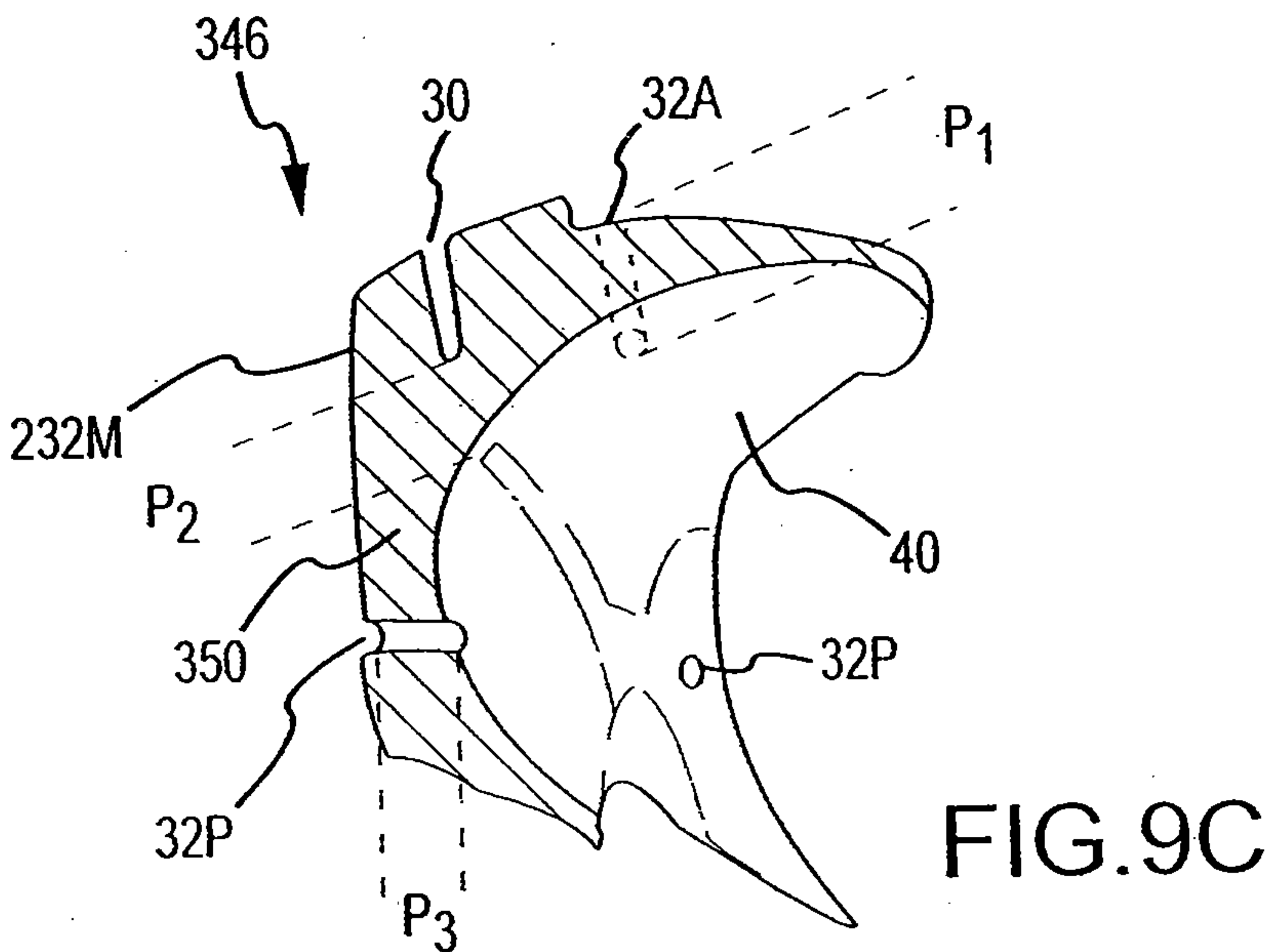
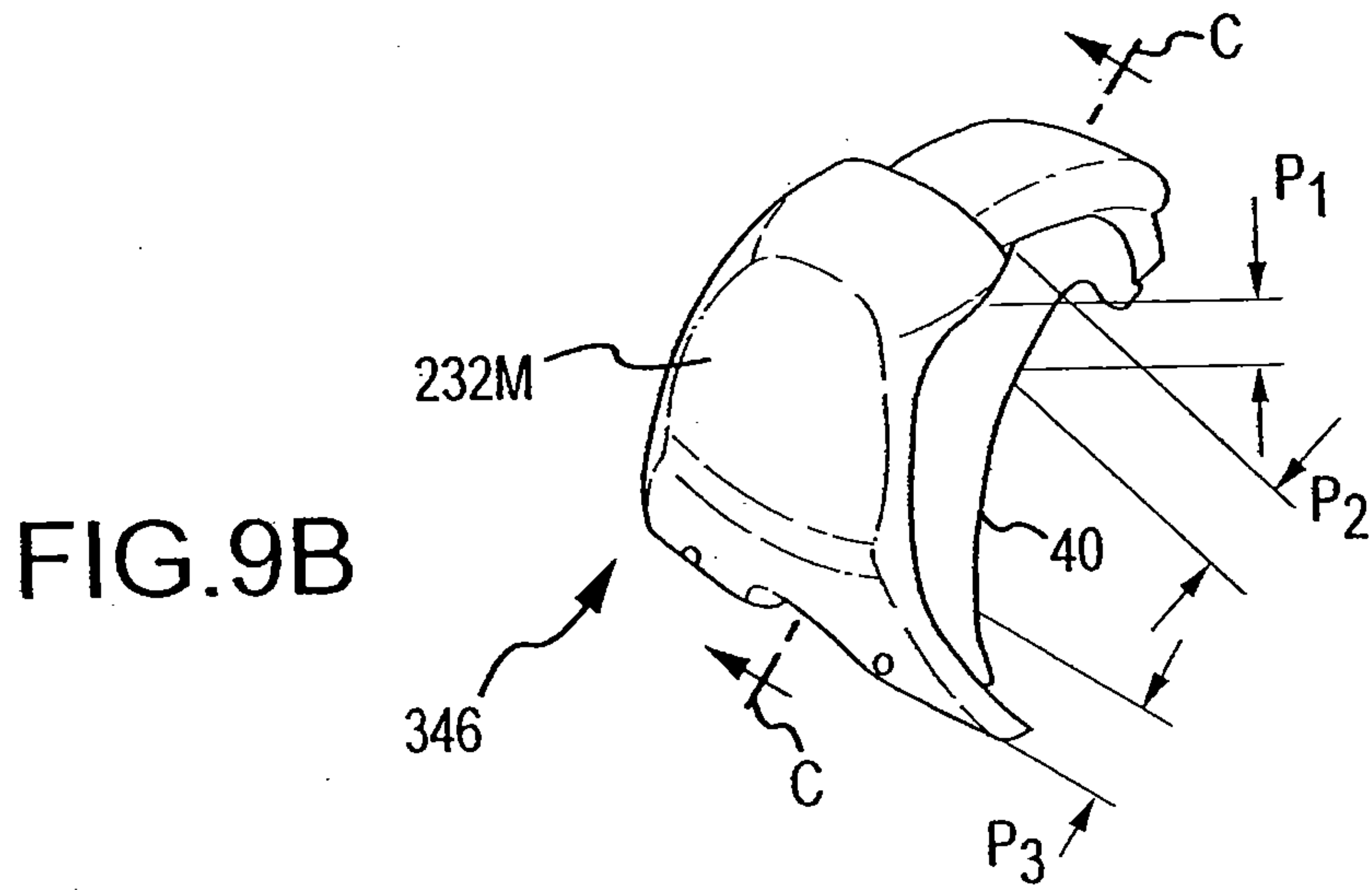
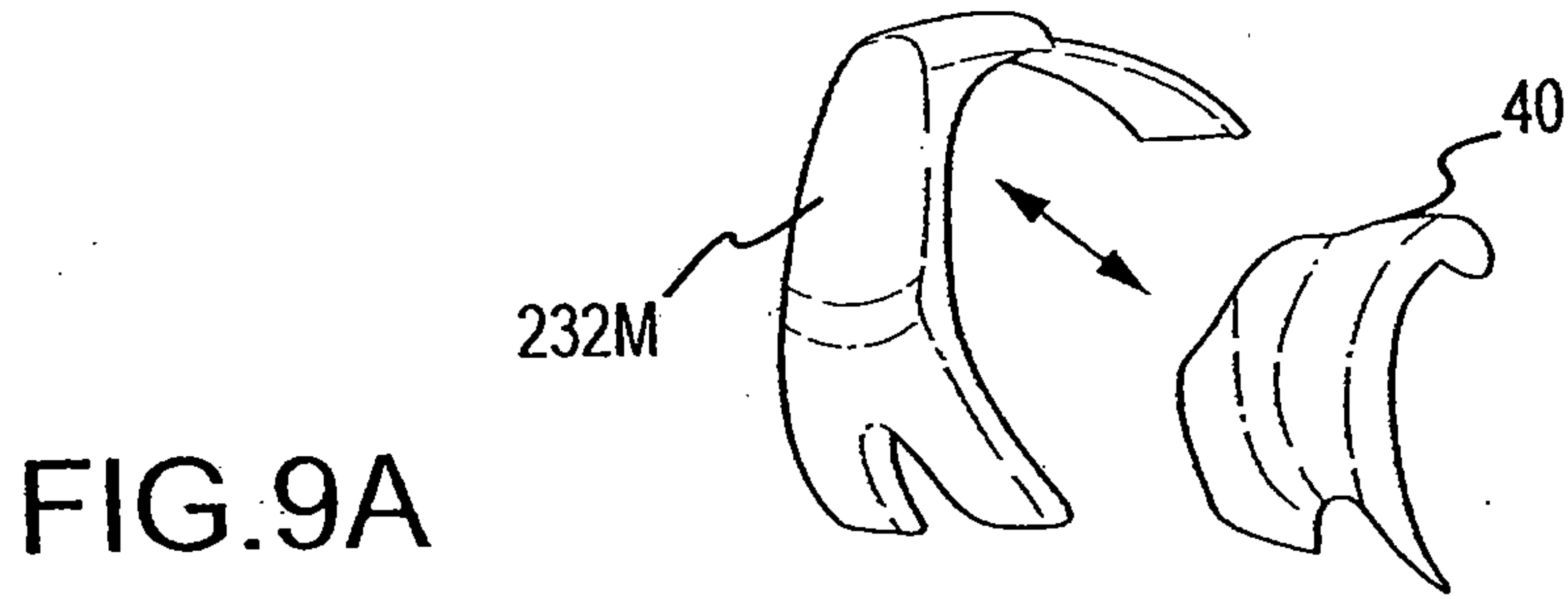


FIG. 8B

20/34



21/34

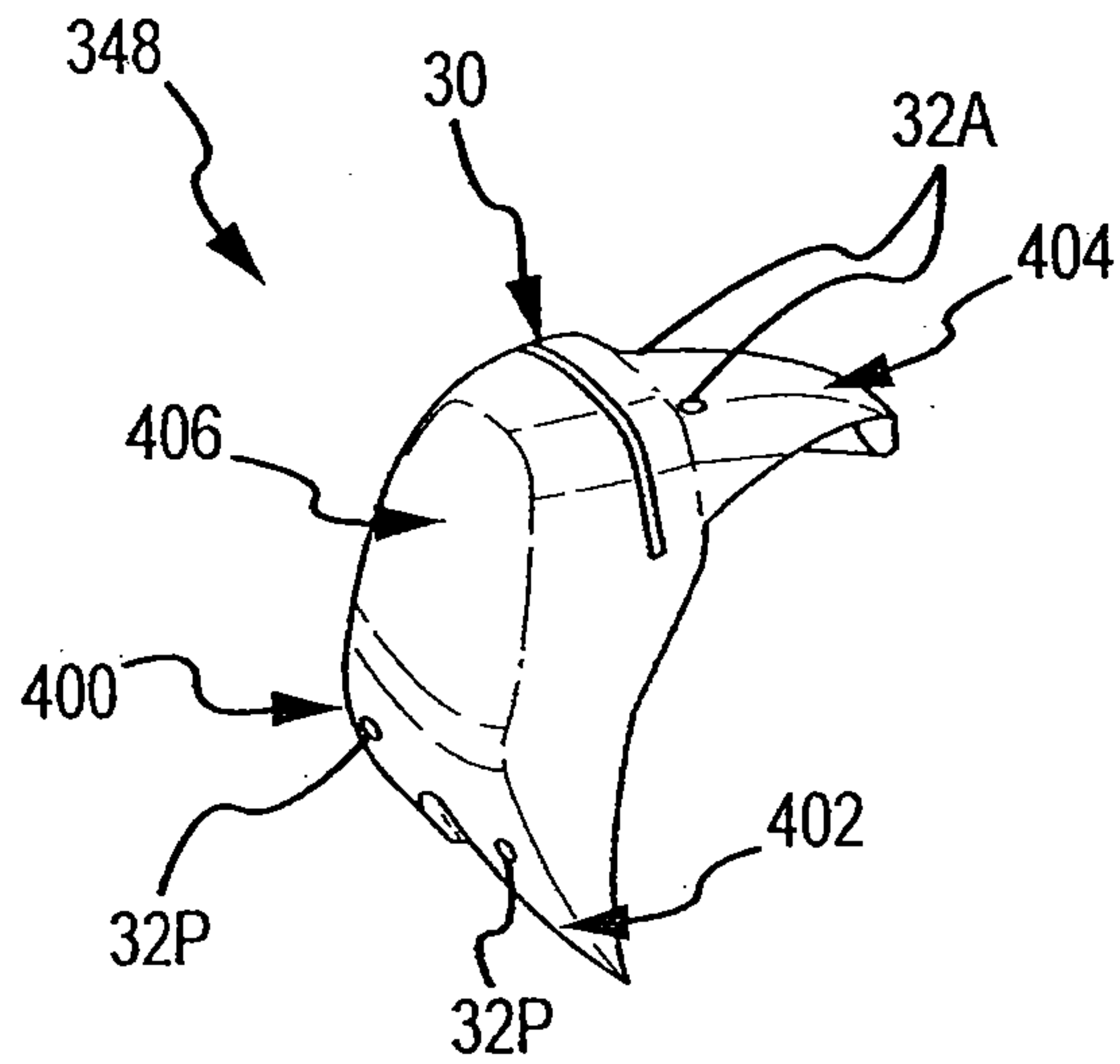


FIG. 10A

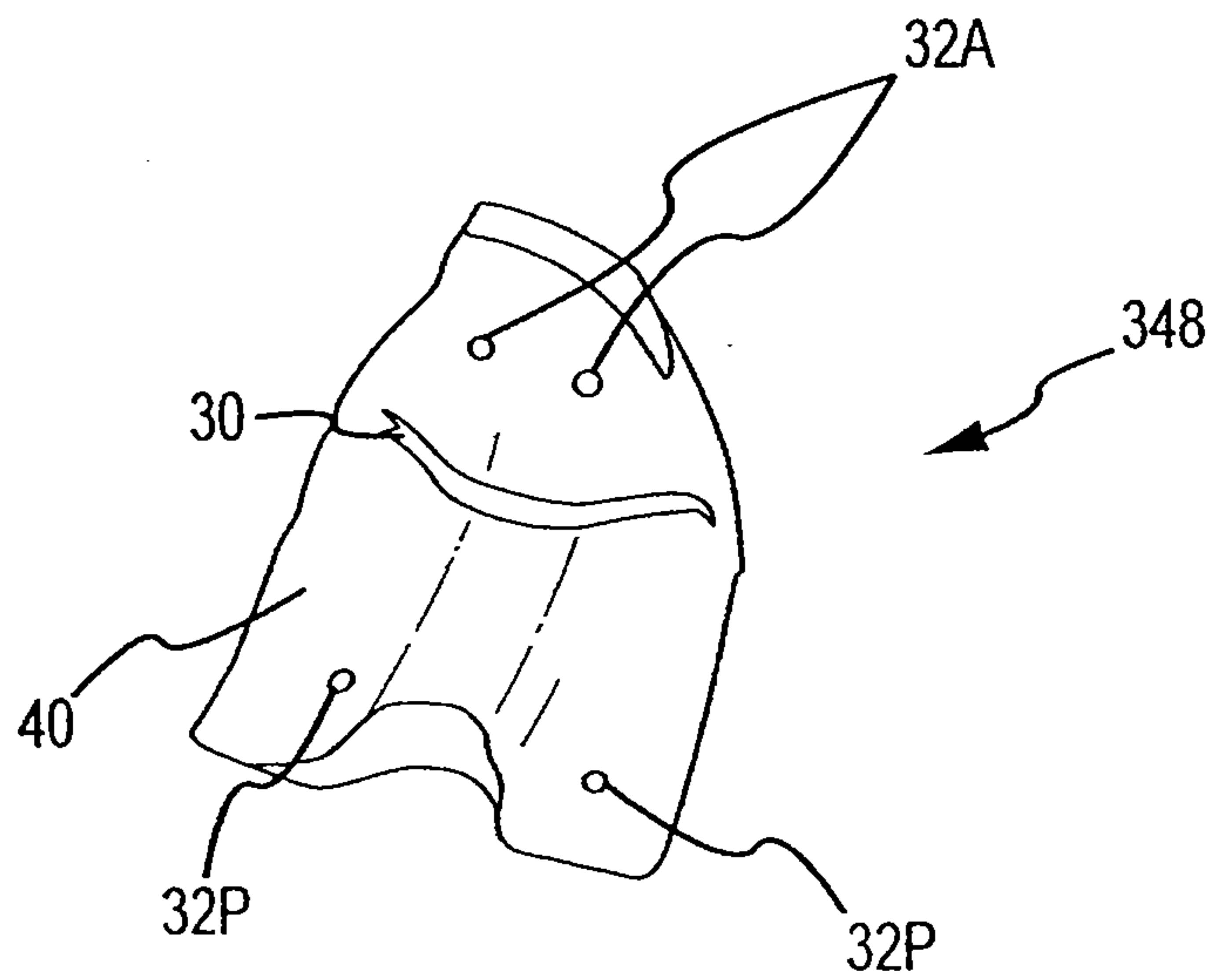


FIG. 10B

22/34

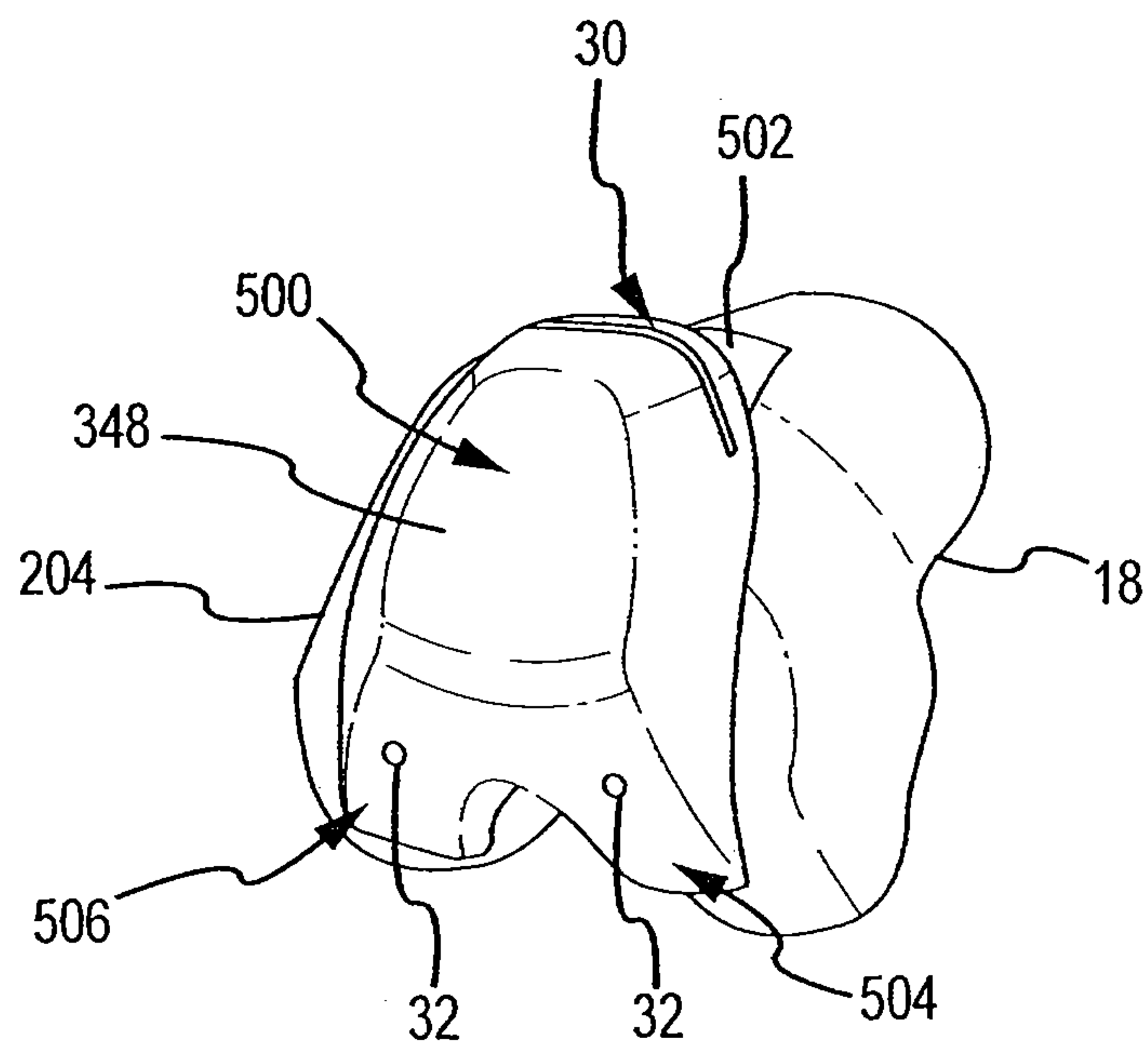


FIG.11

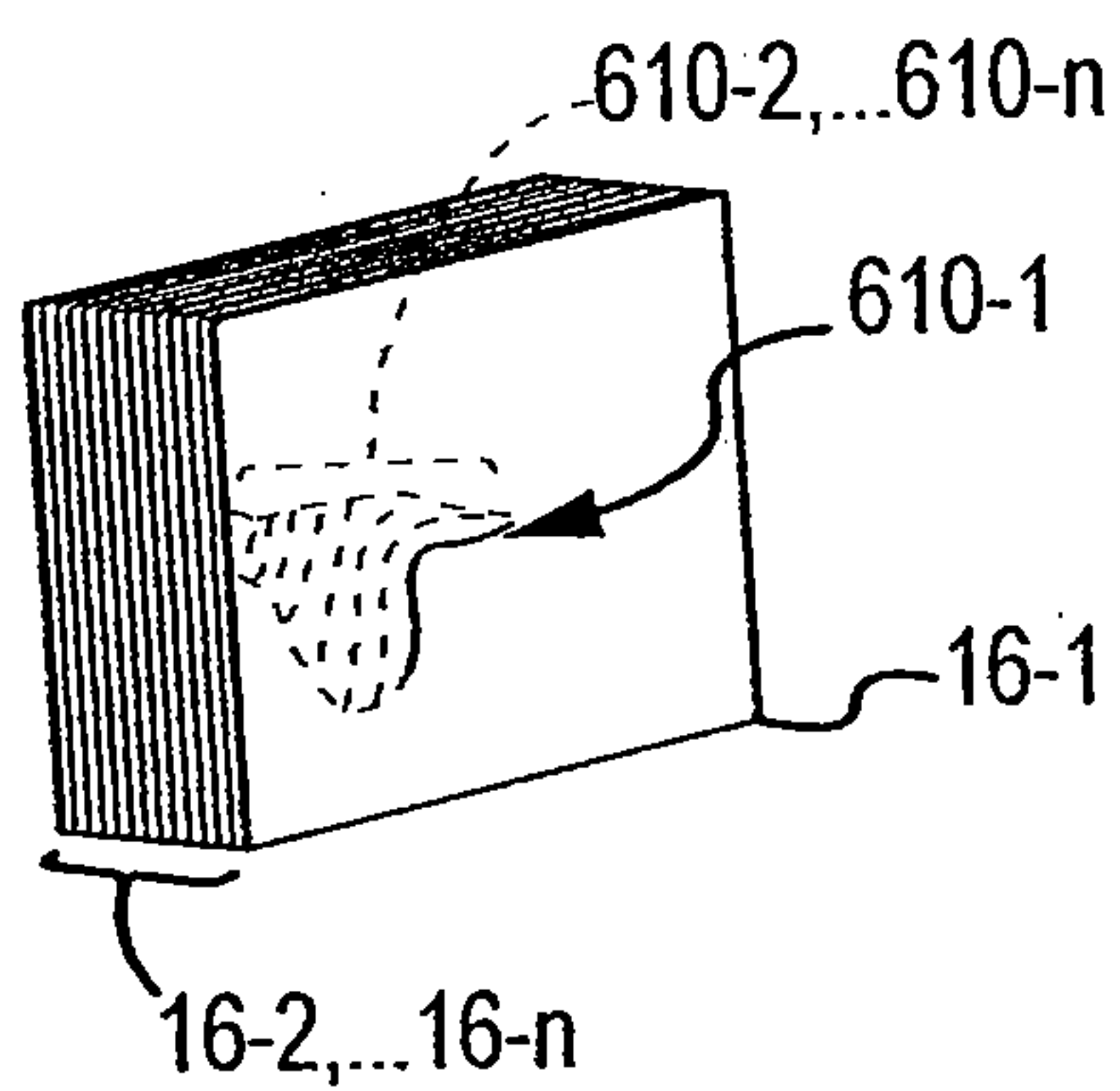
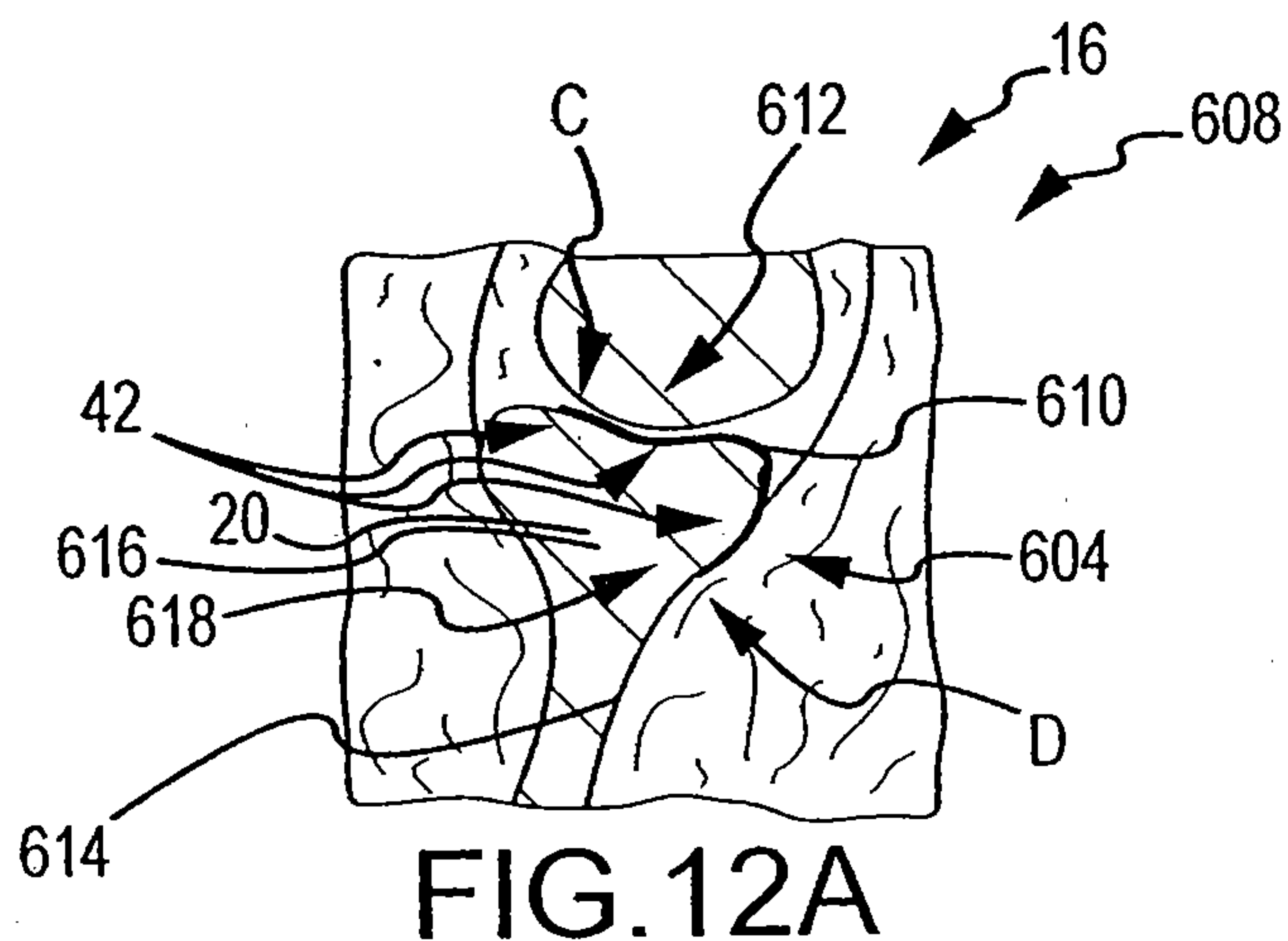


FIG. 12B

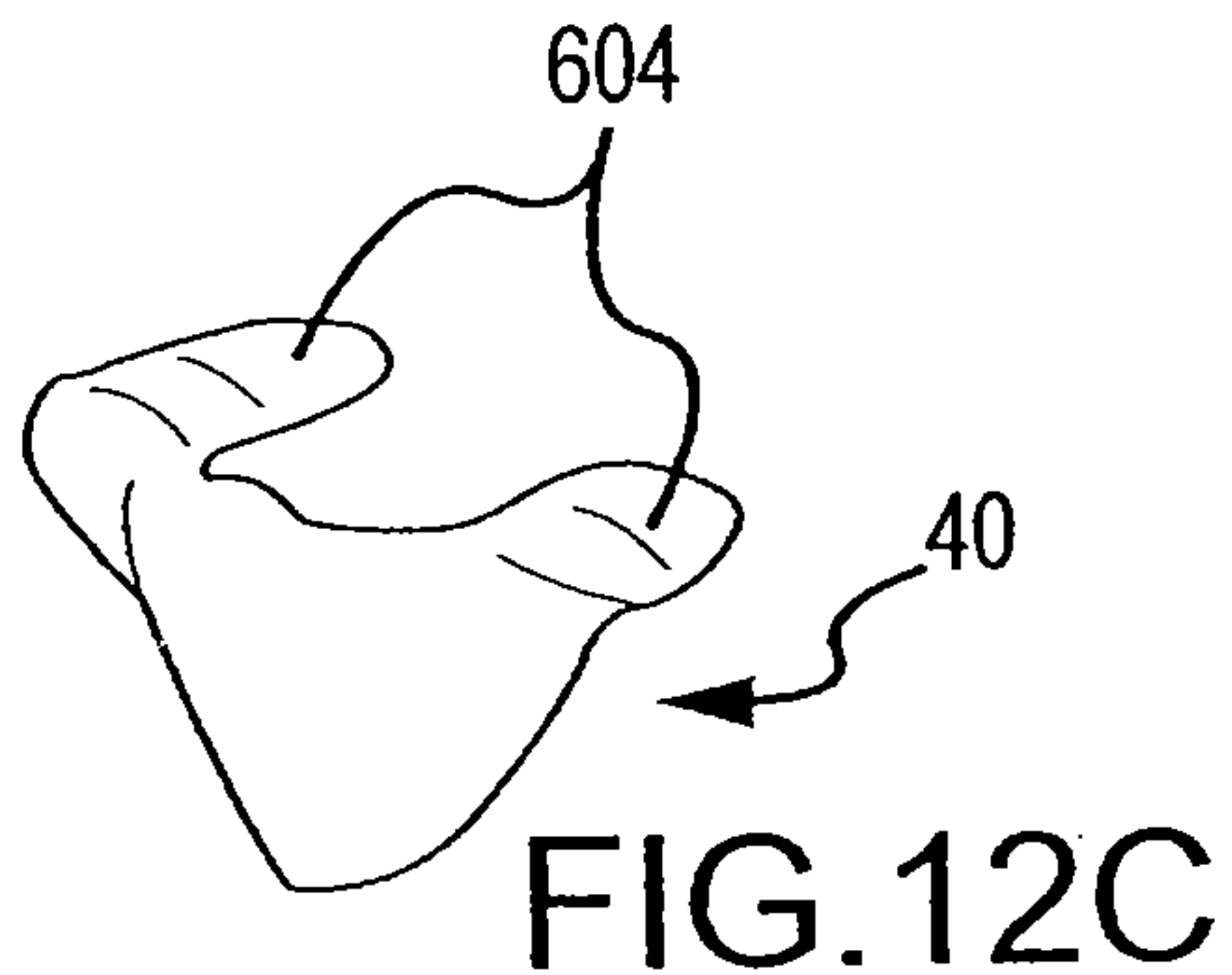


FIG. 12C

24/34

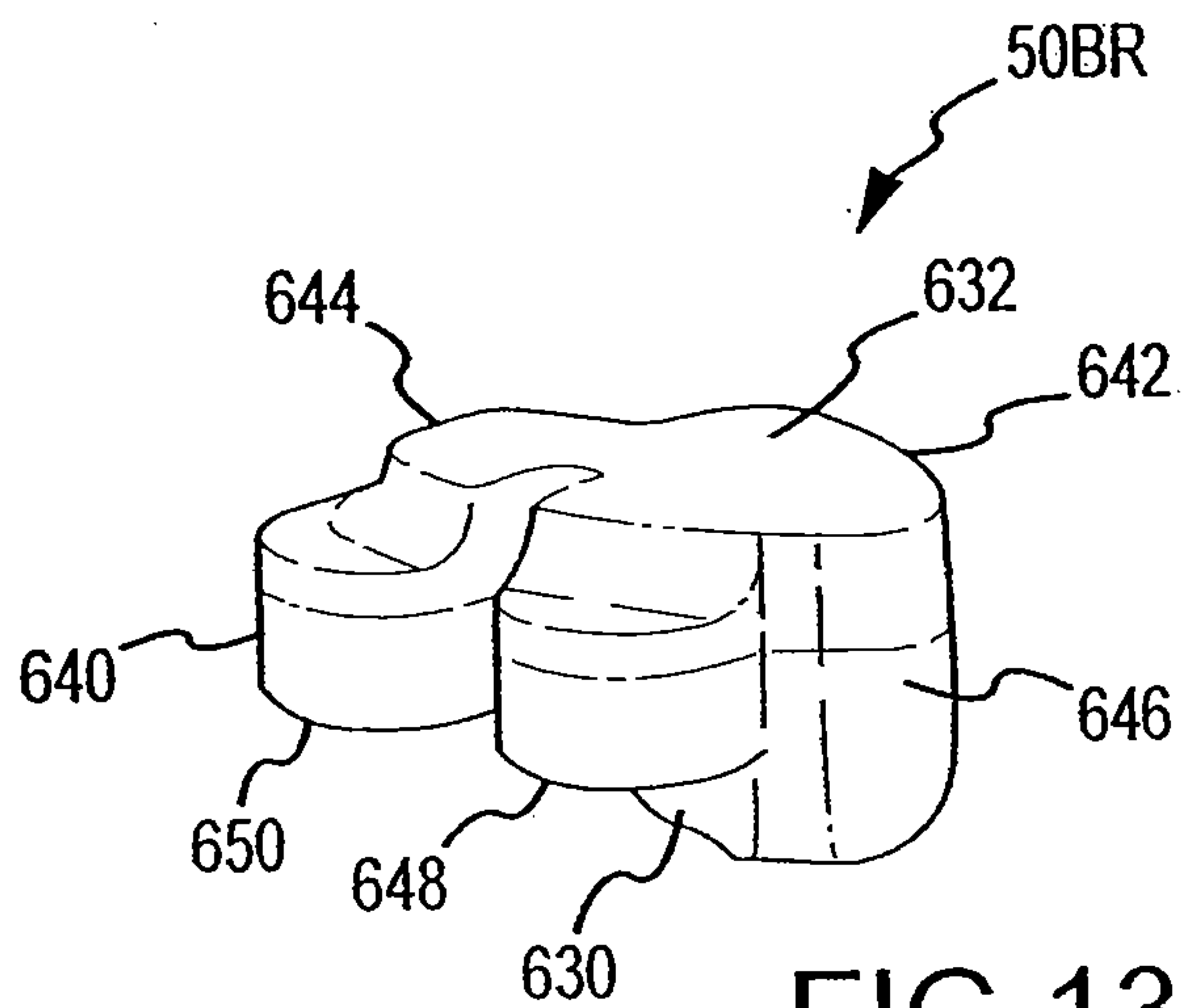


FIG. 13A

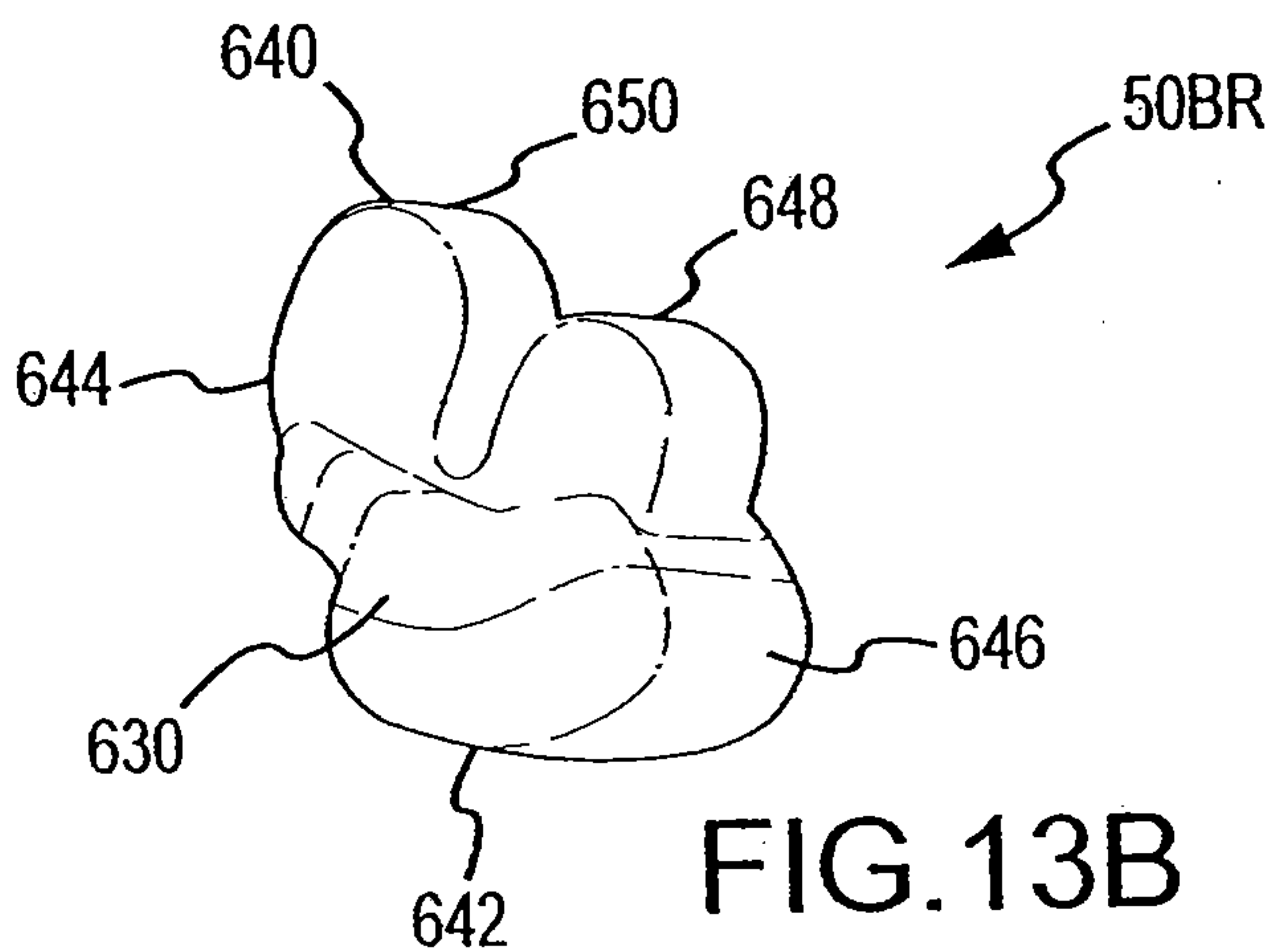


FIG. 13B

25/34

50 BR

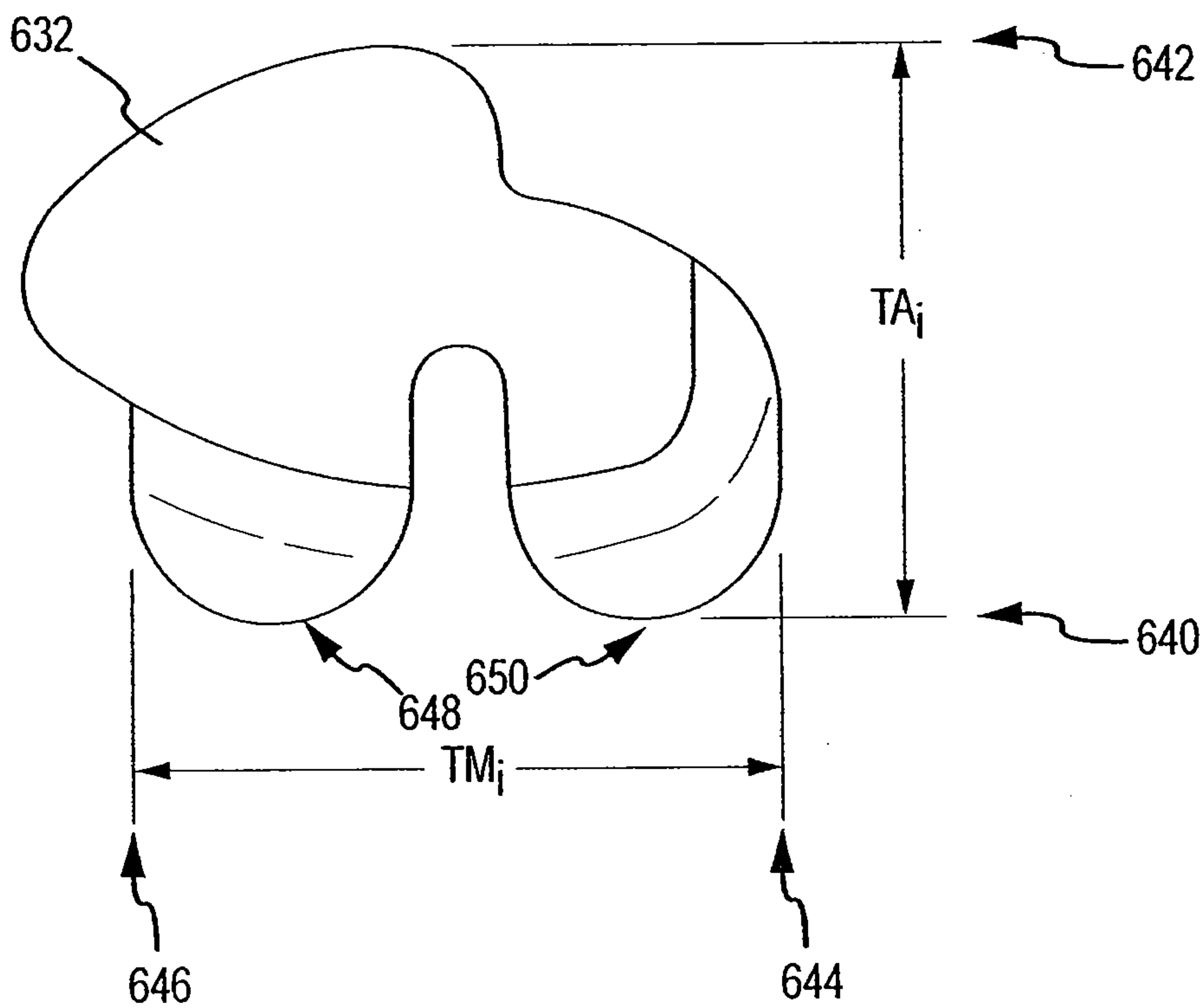


FIG.13C

26/34

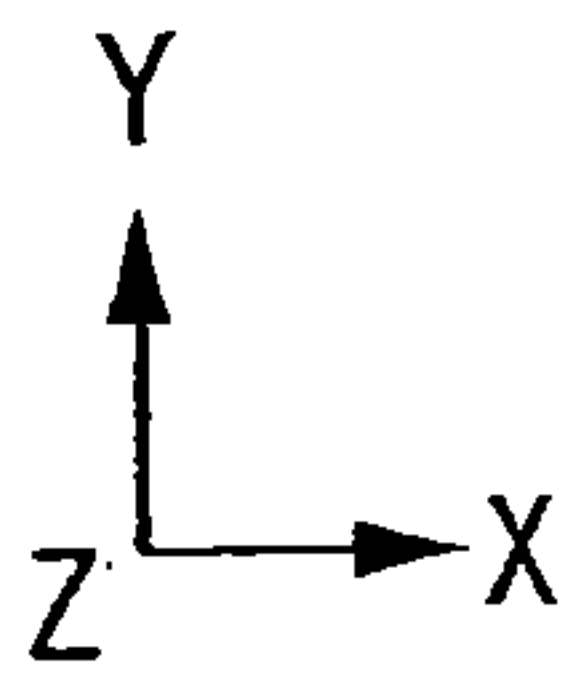
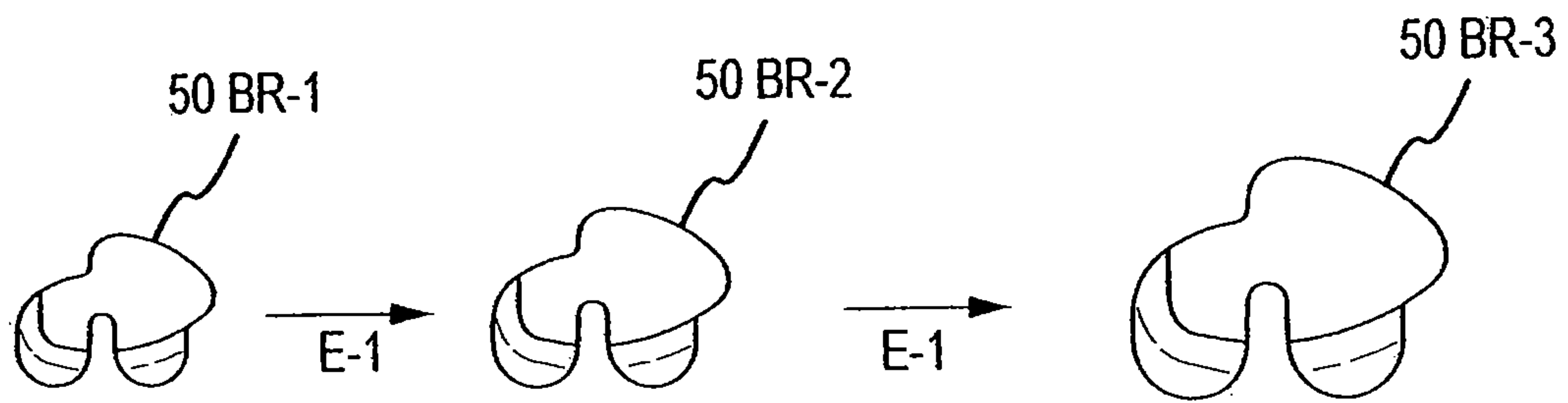


FIG.14A

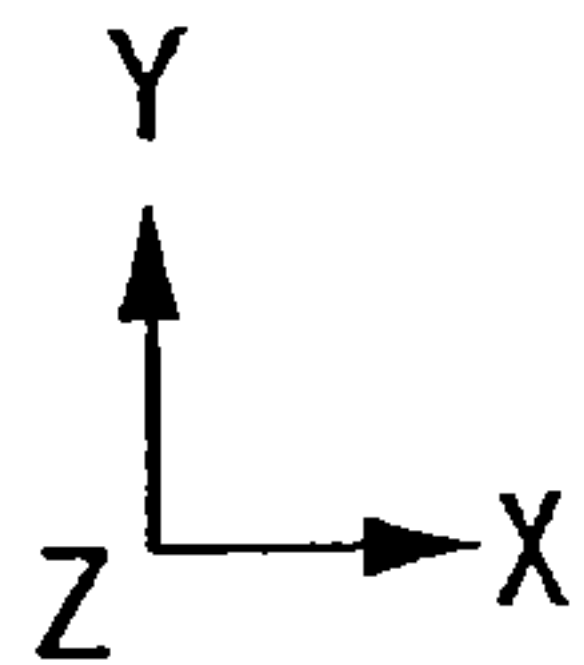
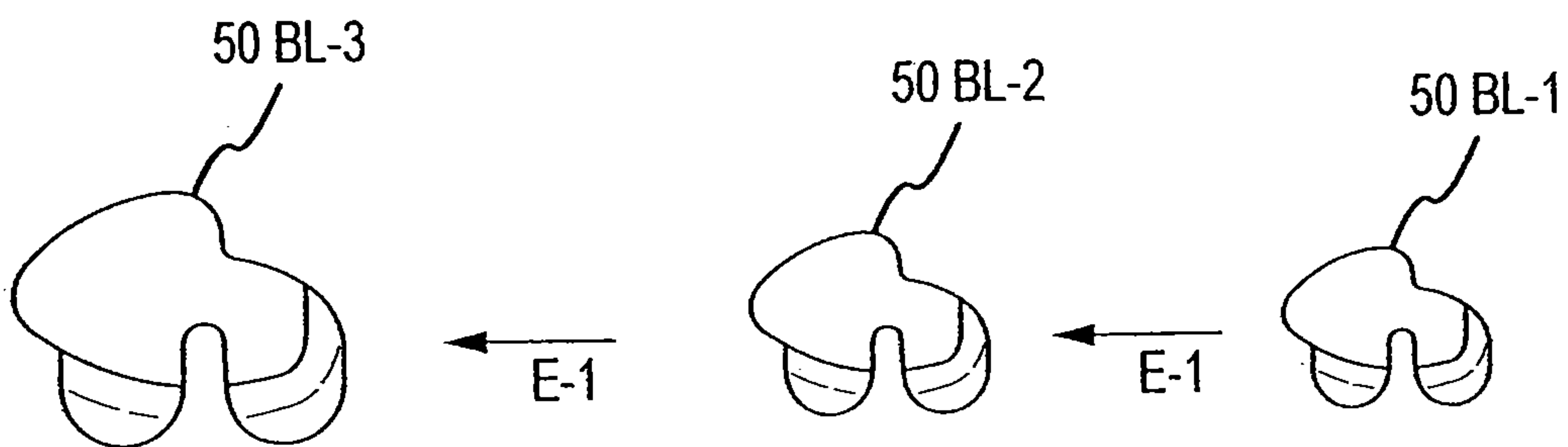


FIG.14B



27/34

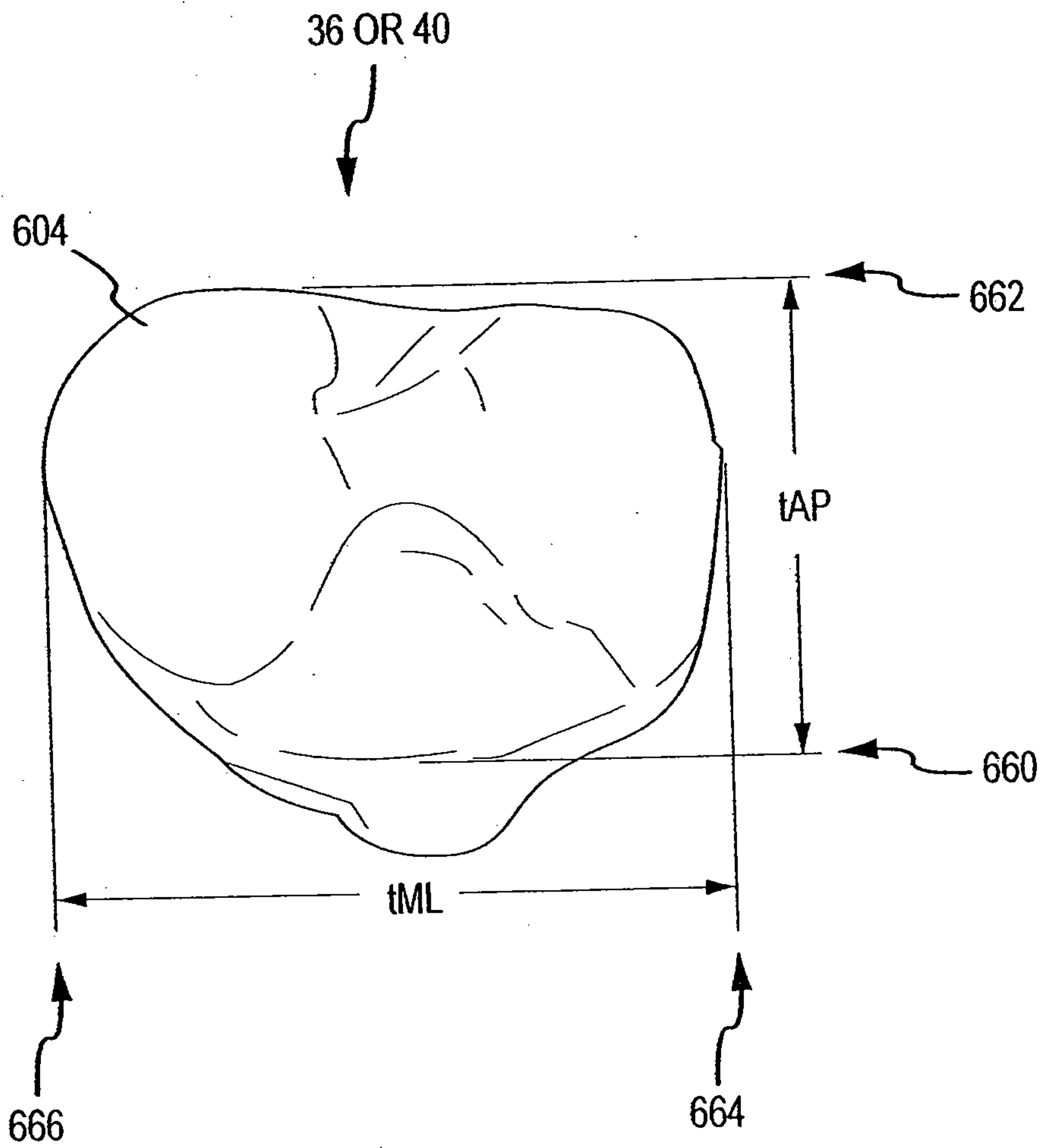


FIG.15

28/34

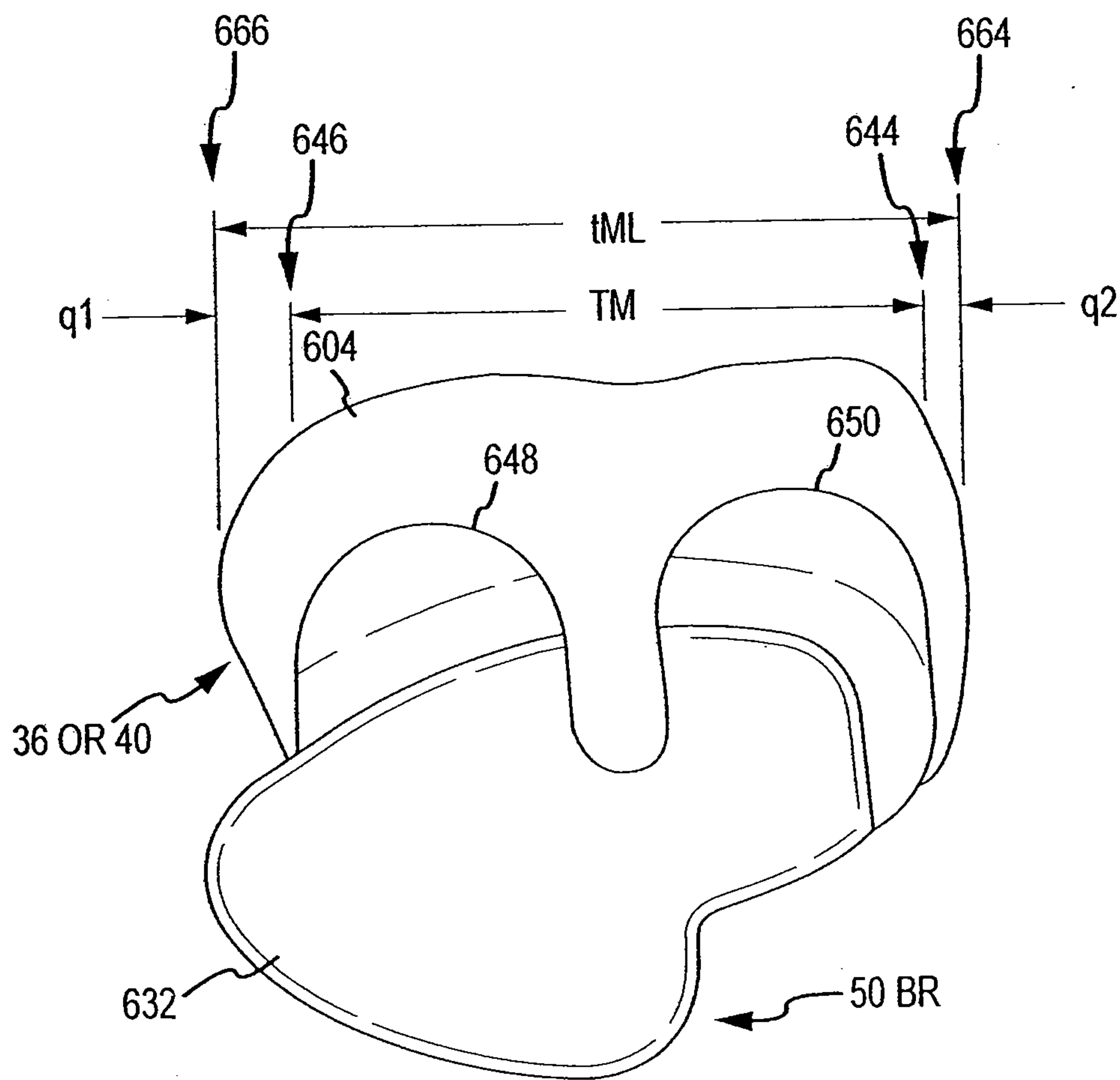


FIG. 16

29/34

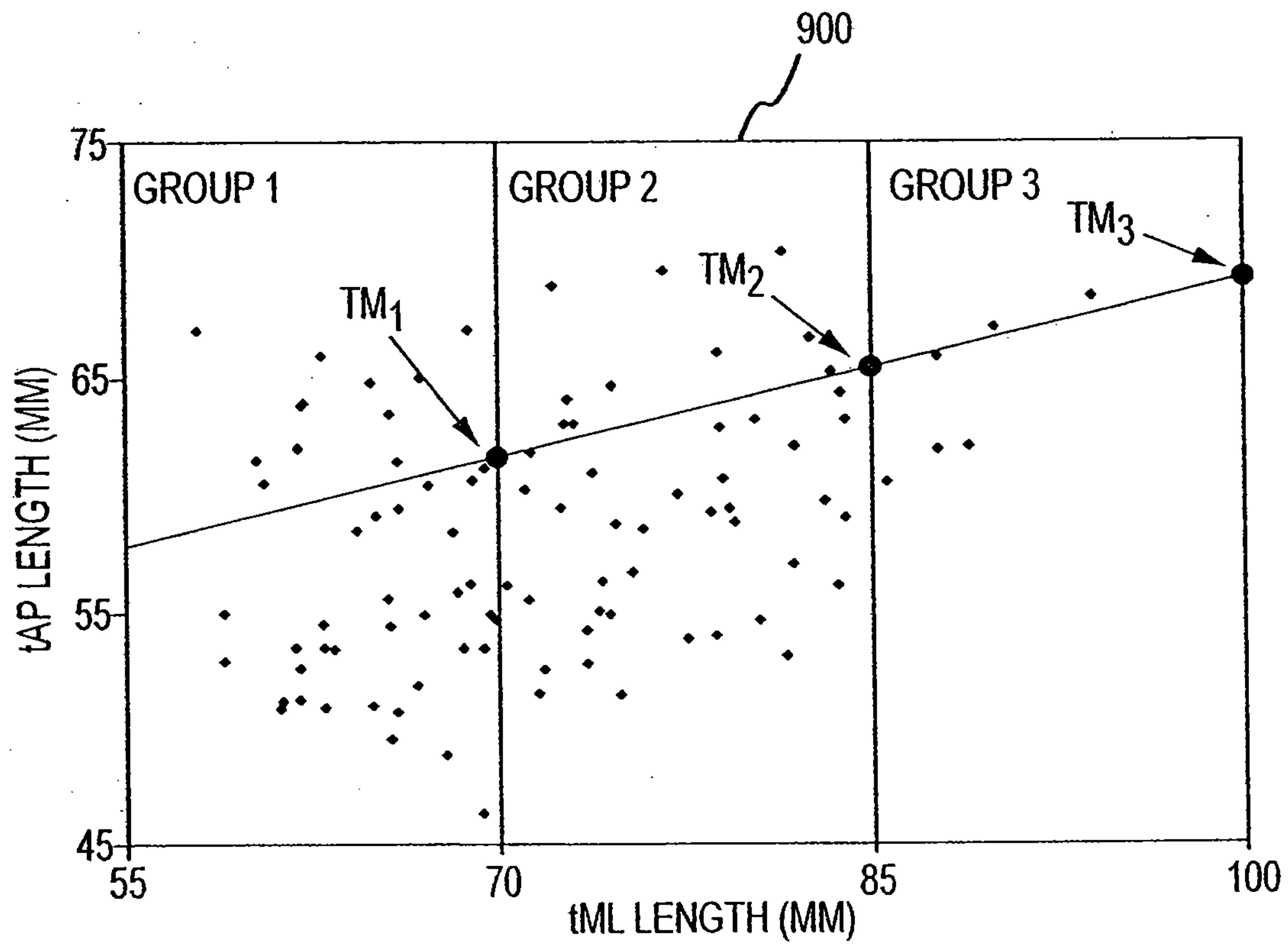


FIG.17A

30/34

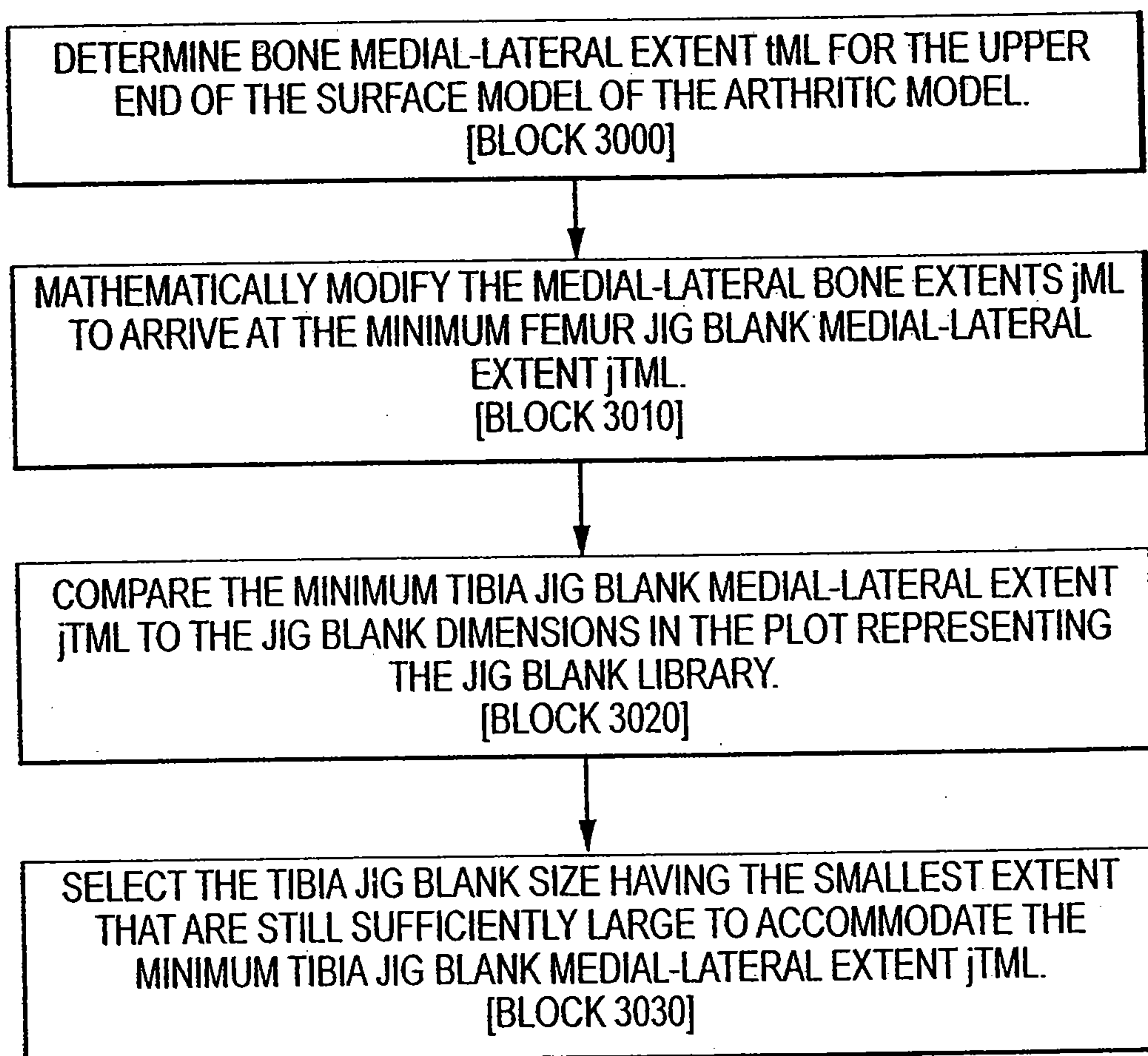


FIG.17B

31/34

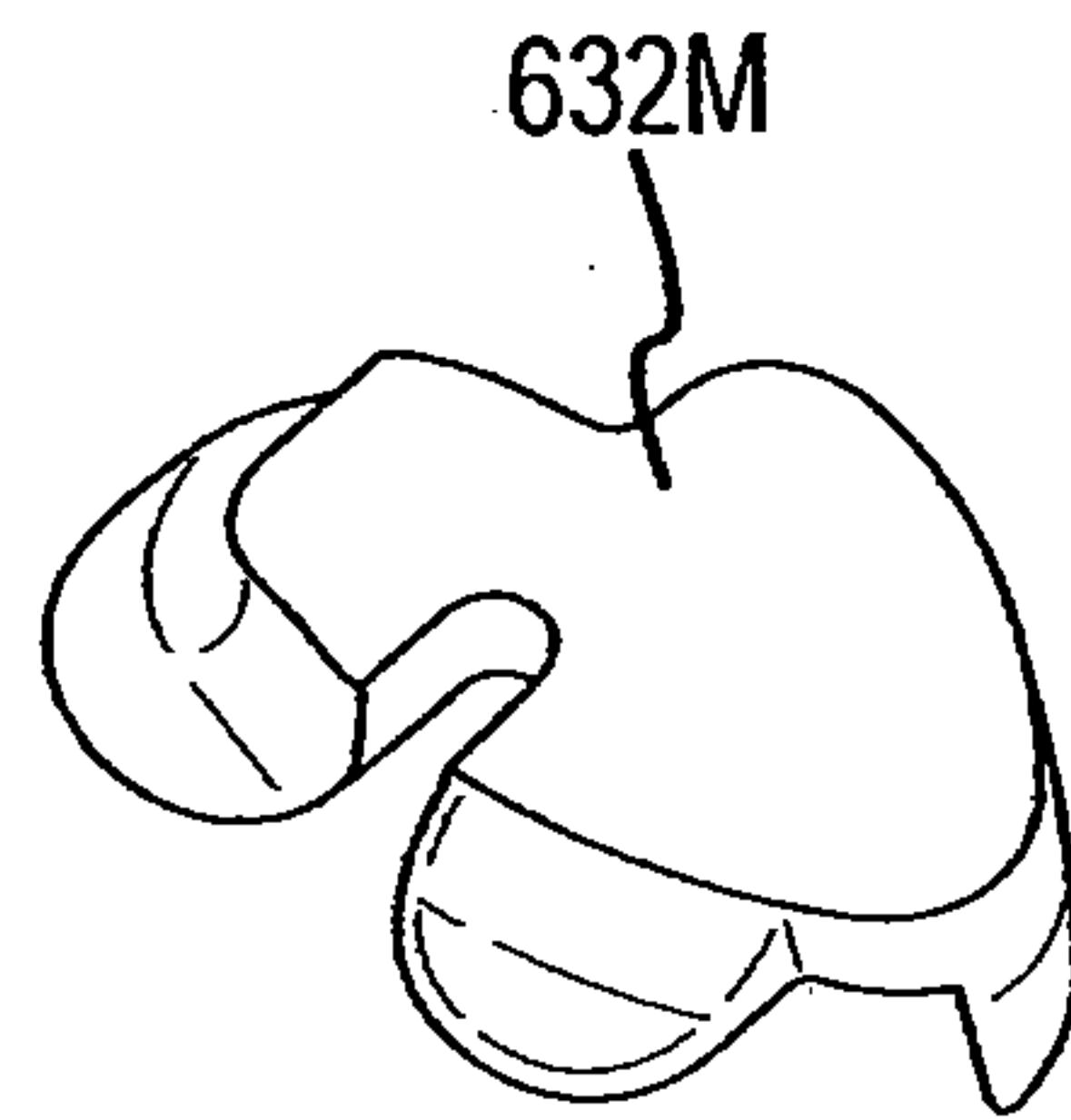


FIG. 18A

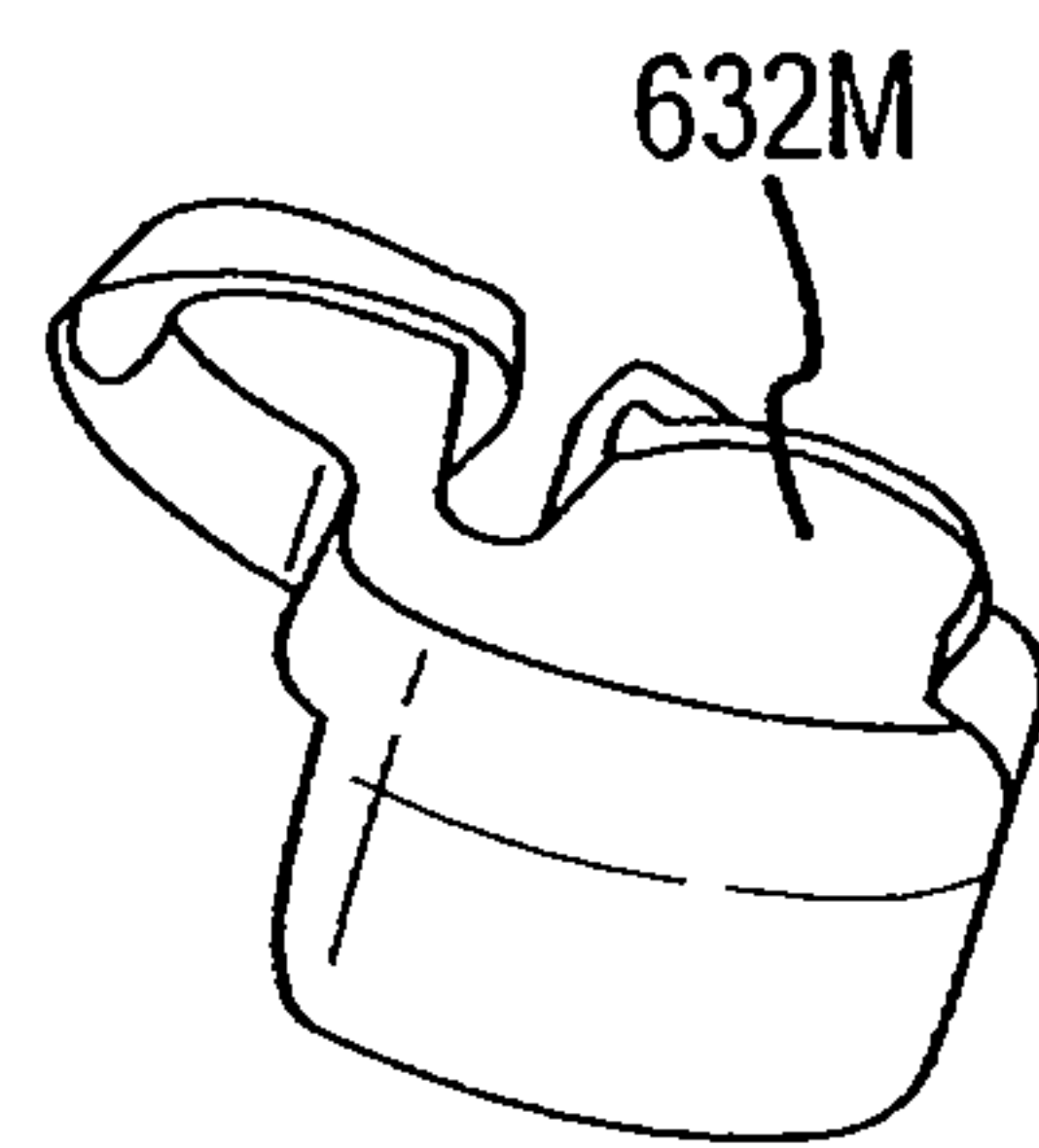


FIG. 18B

32/34

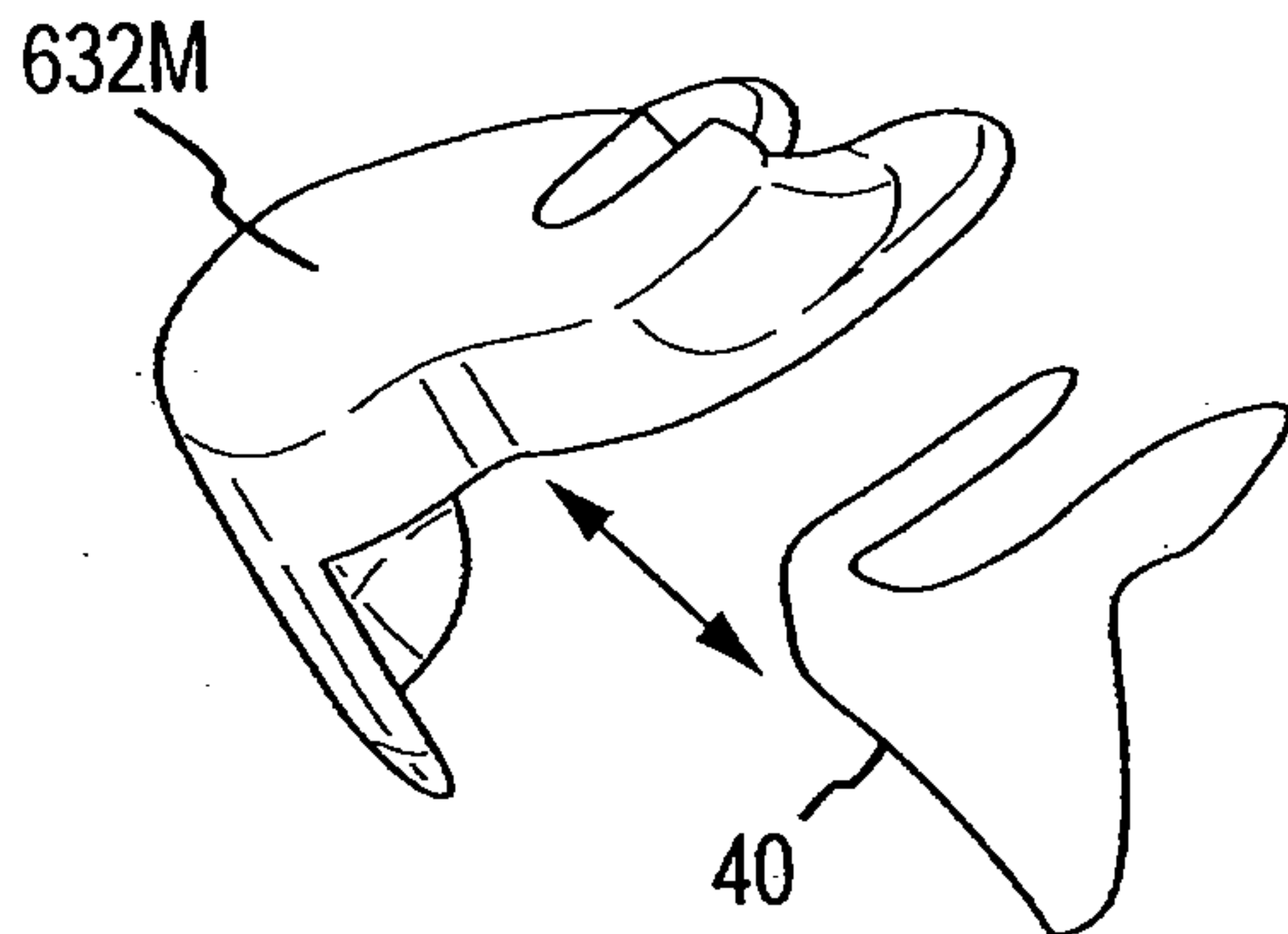


FIG. 19A

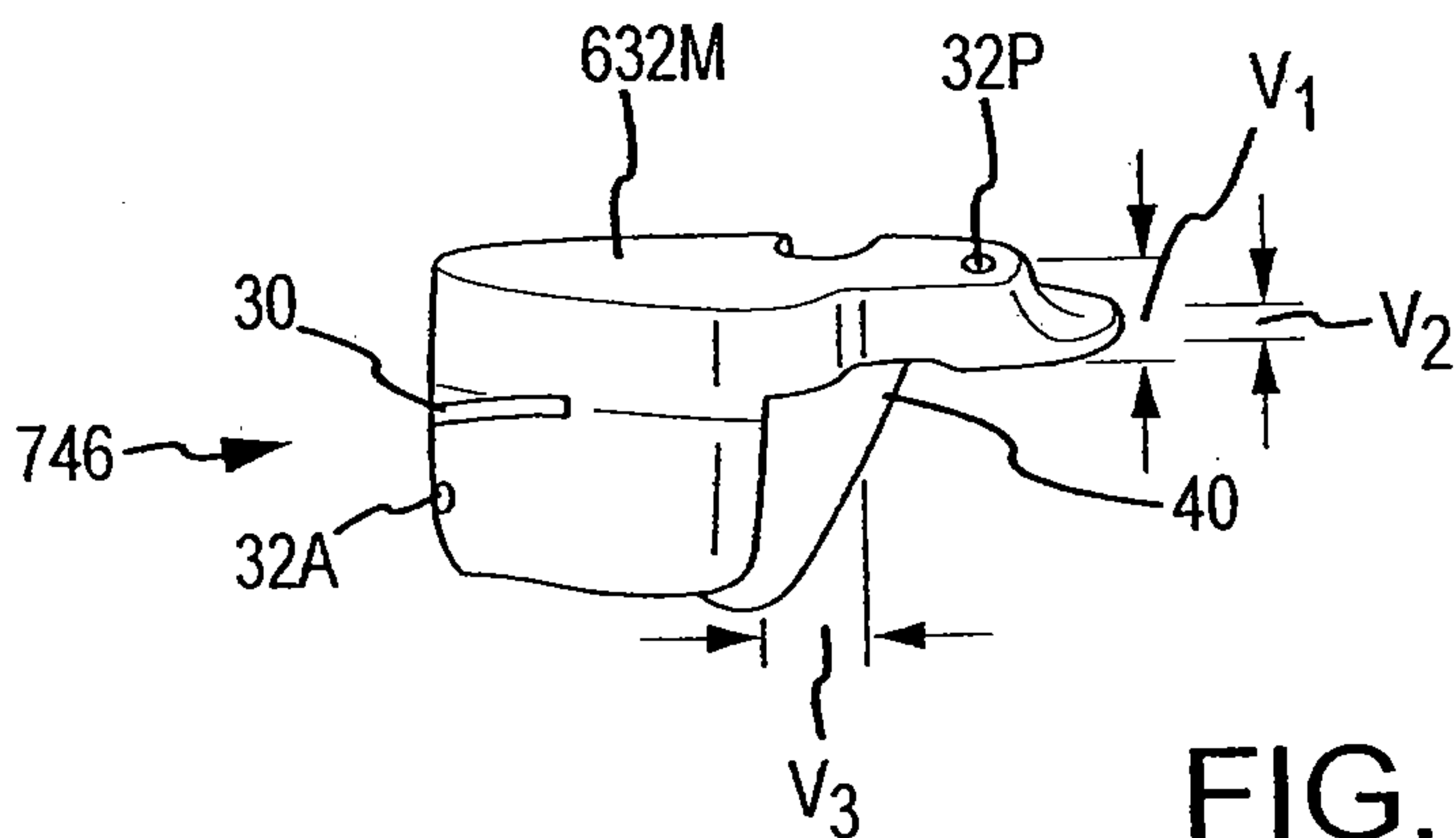


FIG. 19B

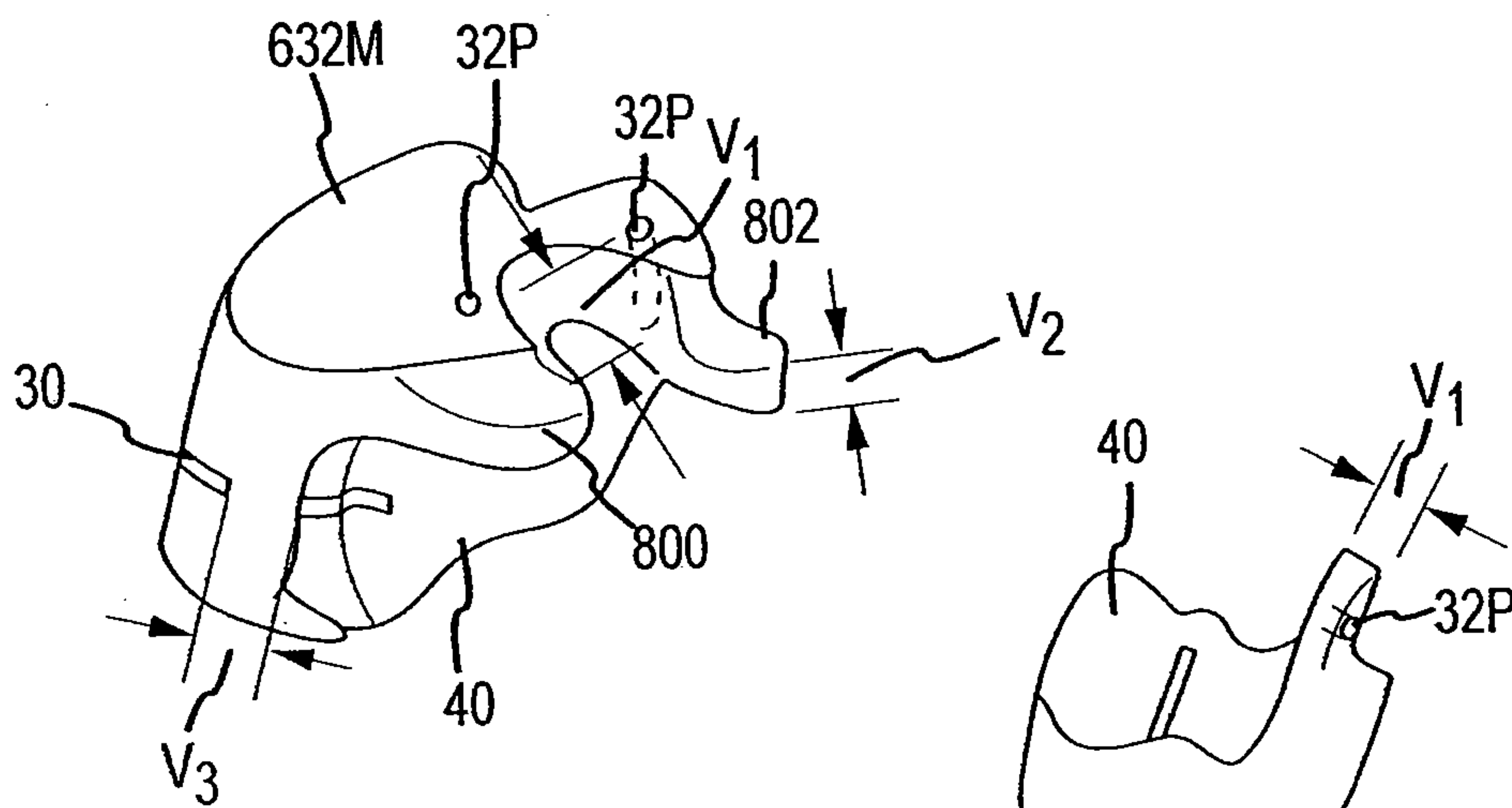


FIG. 19C

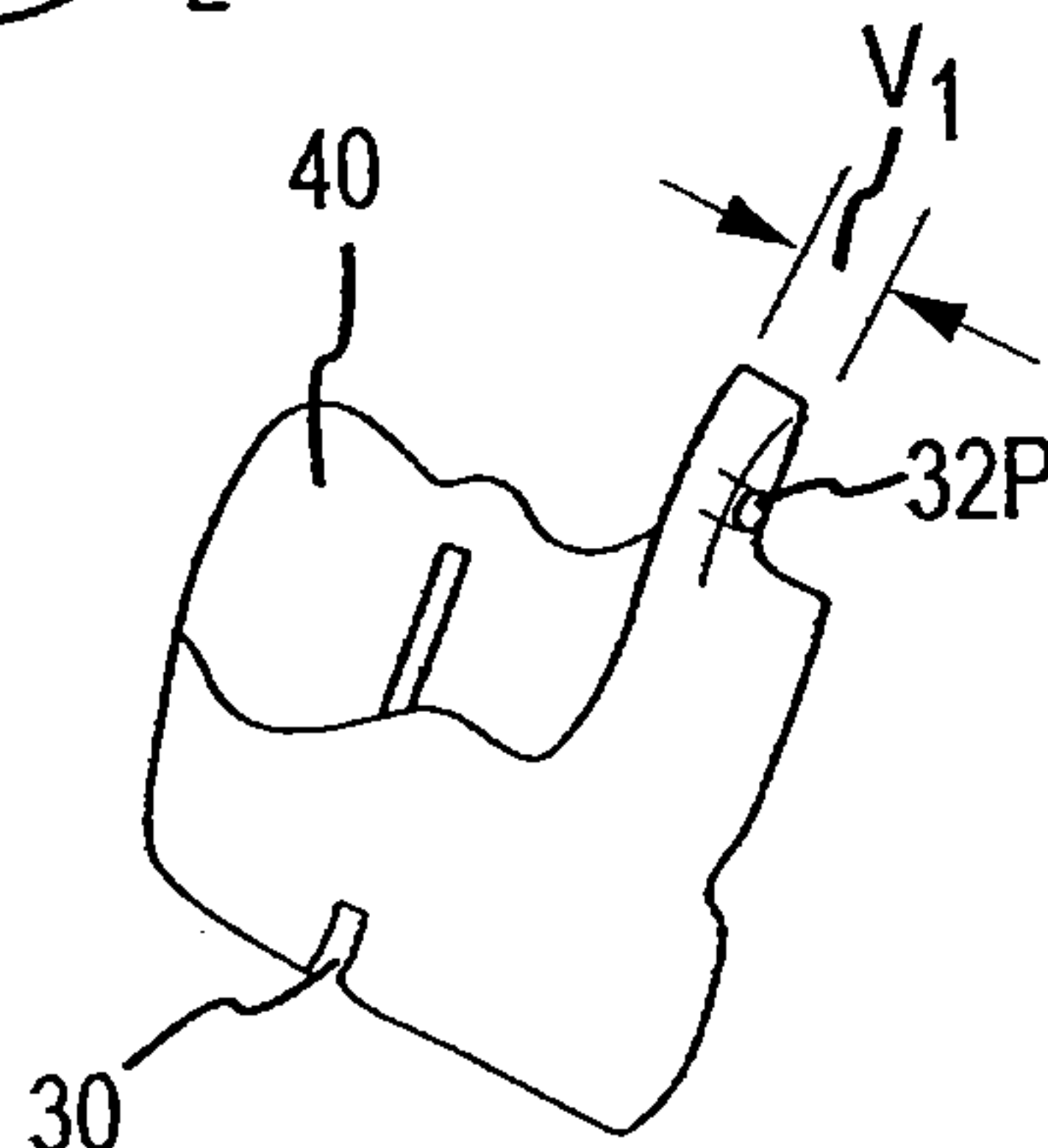


FIG. 19D

33/34

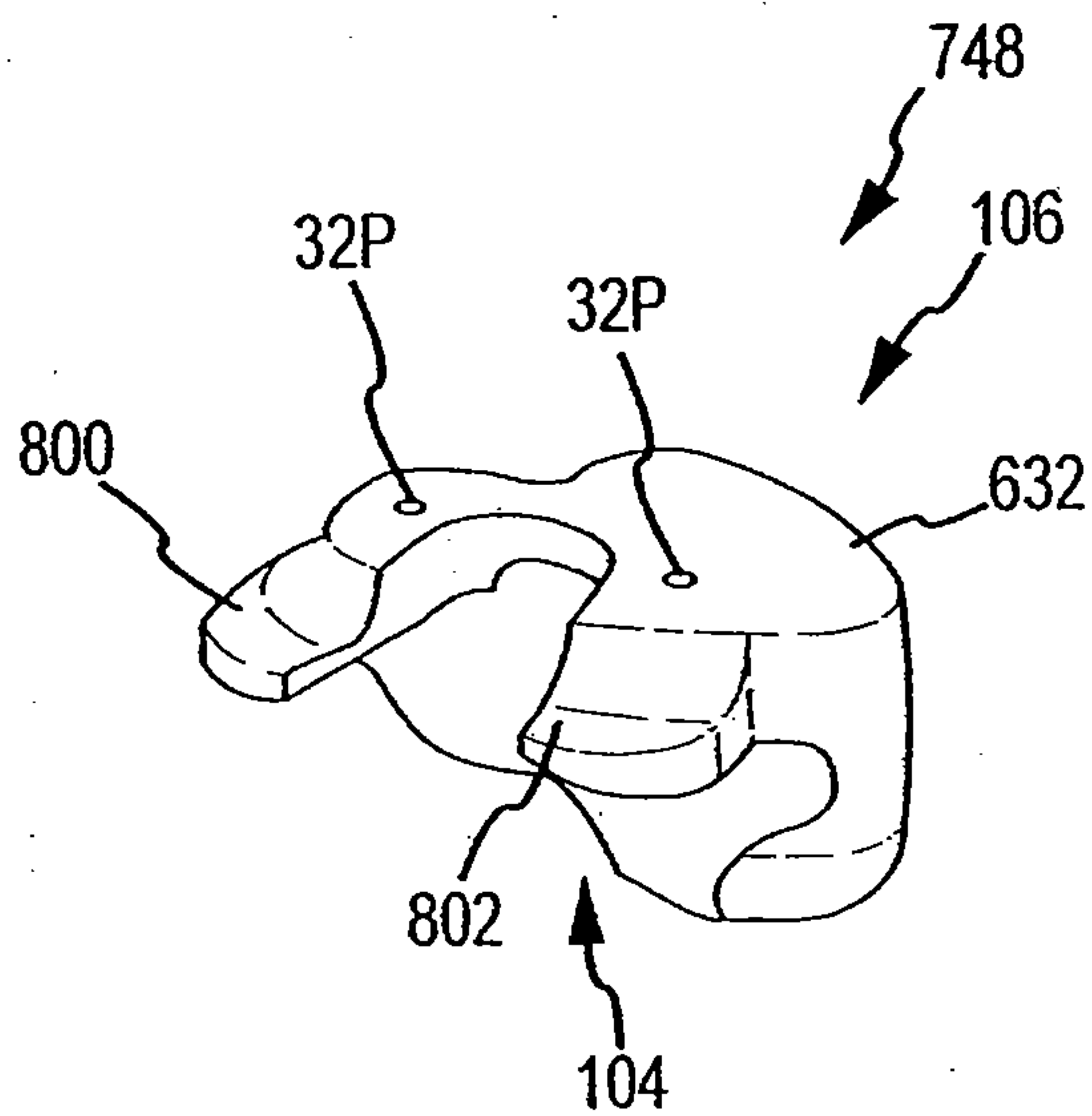


FIG. 20A

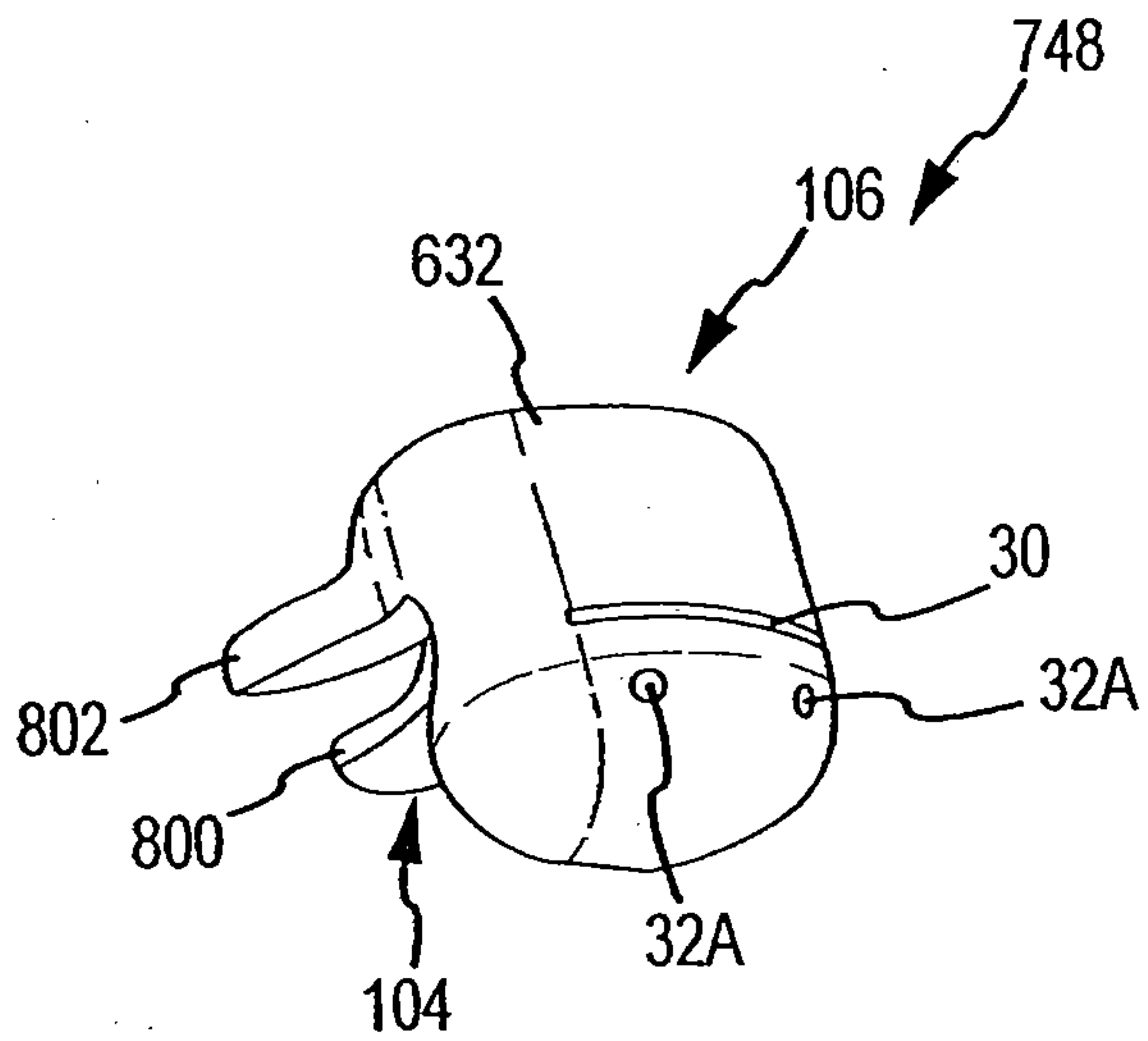


FIG. 20B

34/34

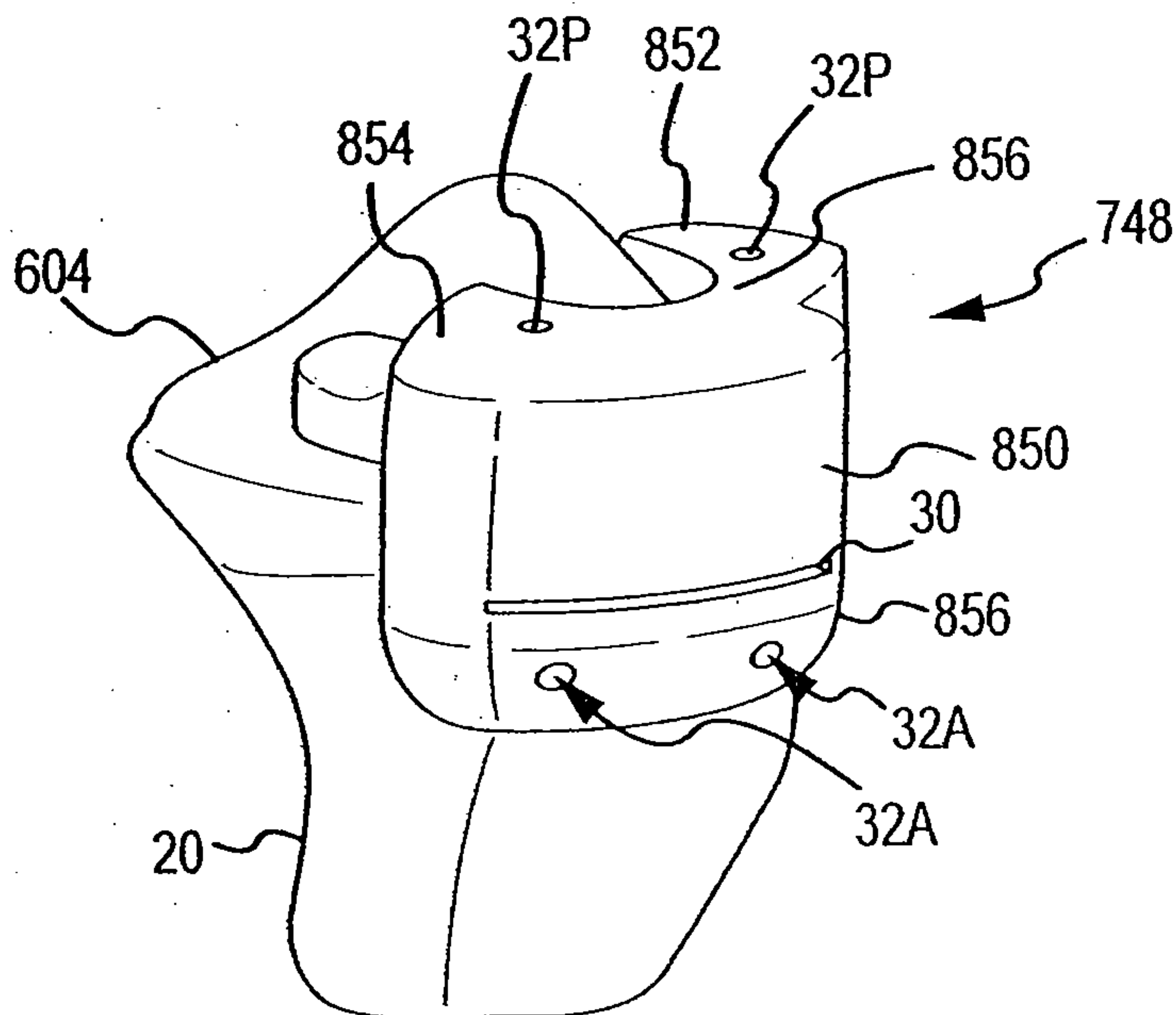


FIG. 21



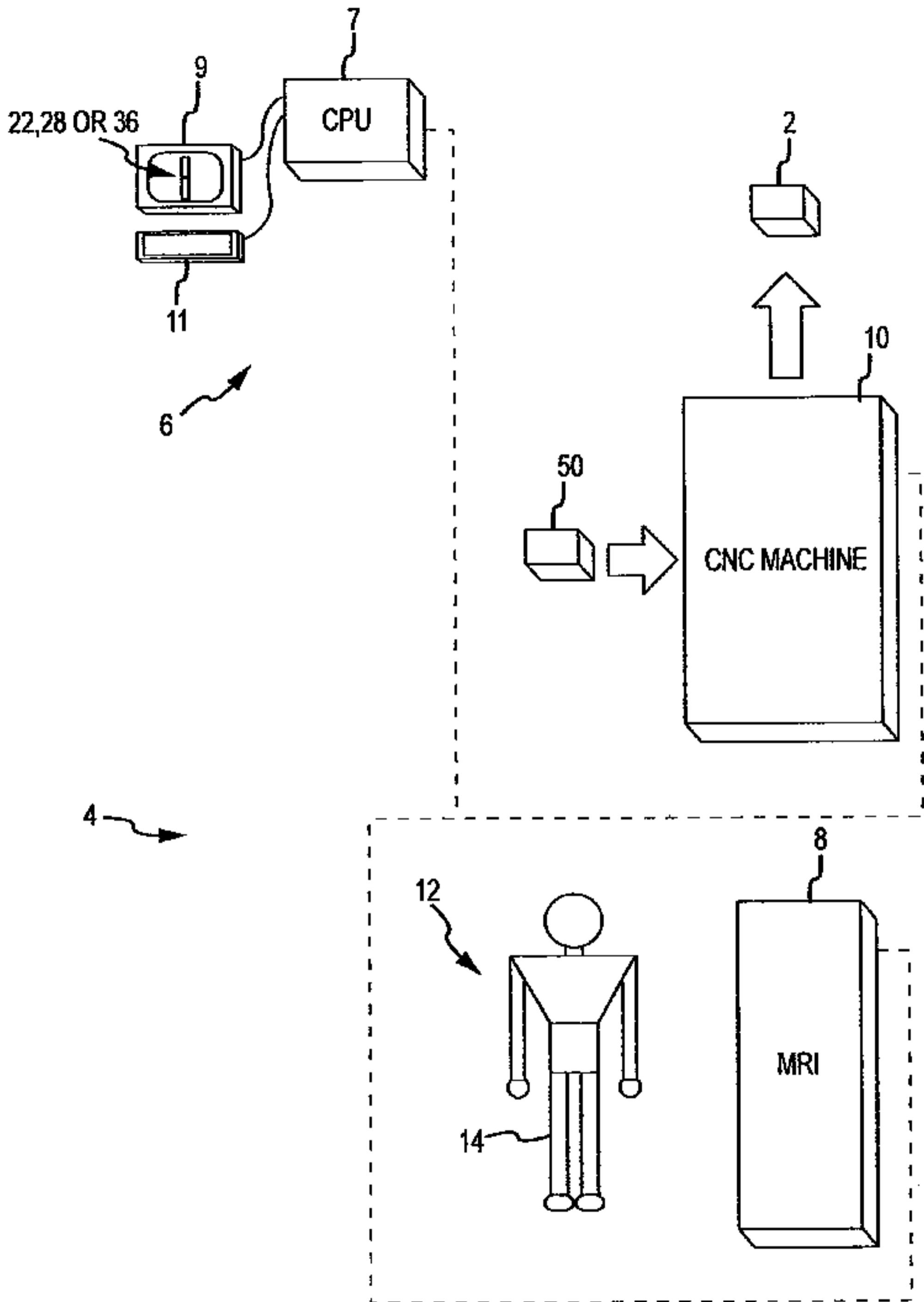


FIG.1A