

(19) World Intellectual Property Organization  
International Bureau



(43) International Publication Date  
13 July 2006 (13.07.2006)

PCT

(10) International Publication Number  
WO 2006/074181 A3

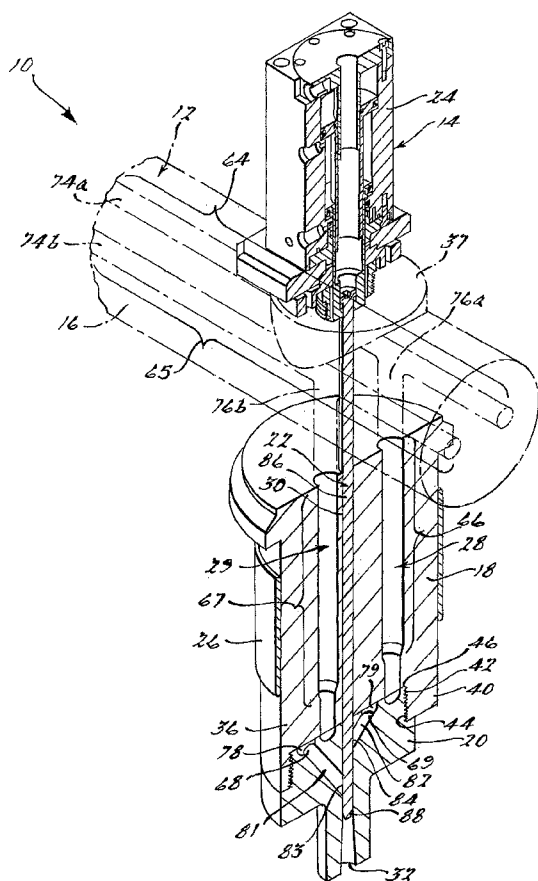
- (51) International Patent Classification:  
B29C 45/22 (2006.01)
- (21) International Application Number:  
PCT/US2006/000112
- (22) International Filing Date: 4 January 2006 (04.01.2006)
- (25) Filing Language: English
- (26) Publication Language: English
- (30) Priority Data:  
60/641,252 4 January 2005 (04.01.2005) US  
11/324,712 3 January 2006 (03.01.2006) US
- (71) Applicant (for all designated States except US): PLAS-  
TIC ENGINEERING & TECHNICAL SERVICES,  
INC. [US/US]; 4141 Luella Lane, Auburn Hills, Michigan  
48326 (US).
- (72) Inventor: TOOMAN, Patrick, A.; 3641 Mann Road,  
Clarkston, Michigan 48346 (US).
- (74) Agent: BLISS, Daniel H.; BLISS MCGLYNN, P.C., 2075  
West Big Beaver Road, Suite 600, Troy, MI 48084 (US).

- (81) Designated States (unless otherwise indicated, for every  
kind of national protection available): AE, AG, AL, AM,  
AT, AU, AZ, BA, BB, BG, BR, BW, BY, BZ, CA, CH, CN,  
CO, CR, CU, CZ, DE, DK, DM, DZ, EC, EE, EG, ES, FI,  
GB, GD, GE, GH, GM, HR, HU, ID, IL, IN, IS, JP, KE,  
KG, KM, KN, KP, KR, KZ, LC, LK, LR, LS, LT, LU, LV,  
LY, MA, MD, MG, MK, MN, MW, MX, MZ, NA, NG, NI,  
NO, NZ, OM, PG, PH, PL, PT, RO, RU, SC, SD, SE, SG,  
SK, SL, SM, SY, TJ, TM, TN, TR, TT, TZ, UA, UG, US,  
UZ, VC, VN, YU, ZA, ZM, ZW.
- (84) Designated States (unless otherwise indicated, for every  
kind of regional protection available): ARIPO (BW, GH,  
GM, KE, LS, MW, MZ, NA, SD, SL, SZ, TZ, UG, ZM,  
ZW), Eurasian (AM, AZ, BY, KG, KZ, MD, RU, TJ, TM),  
European (AT, BE, BG, CH, CY, CZ, DE, DK, EE, ES, FI,  
FR, GB, GR, HU, IE, IS, IT, LT, LU, LV, MC, NL, PL, PT,  
RO, SE, SI, SK, TR), OAPI (BF, BJ, CF, CG, CI, CM, GA,  
GN, GQ, GW, ML, MR, NE, SN, TD, TG).

Published:  
— with international search report

[Continued on next page]

(54) Title: INJECTION MOLDING SYSTEM FOR INJECTION MOLDING A PLURALITY OF MATERIALS



(57) Abstract: An injection molding system for injection molding a plurality of molten materials into a mold cavity includes a nozzle, a drop tip supported by the nozzle, and a central bore extending through the nozzle and drop tip. The injection molding system also includes a first and second flow passage each extending through the nozzle, so as to define a first and second nozzle flow passage, and drop tip, so as to define a first and second drop tip flow passage. The first and second drop tip flow passages each include a plurality of branching portions each defining a junction at which the respective flow passage communicates fluidly with the central bore.

WO 2006/074181 A3



— *before the expiration of the time limit for amending the claims and to be republished in the event of receipt of amendments*

*For two-letter codes and other abbreviations, refer to the "Guidance Notes on Codes and Abbreviations" appearing at the beginning of each regular issue of the PCT Gazette.*

**(88) Date of publication of the international search report:**

27 December 2007

**INTERNATIONAL SEARCH REPORT**

International application No.

PCT/US06/00112

**A. CLASSIFICATION OF SUBJECT MATTER**

IPC: **B29C 45/22**( 2006.01)

USPC: 425/130,564

According to International Patent Classification (IPC) or to both national classification and IPC

**B. FIELDS SEARCHED**

Minimum documentation searched (classification system followed by classification symbols)

U.S. : 425/130,562,563,564,565,566

Documentation searched other than minimum documentation to the extent that such documents are included in the fields searched

Electronic data base consulted during the international search (name of data base and, where practicable, search terms used)

**C. DOCUMENTS CONSIDERED TO BE RELEVANT**

Category *	Citation of document, with indication, where appropriate, of the relevant passages	Relevant to claim No.
A	US 5,067,893 A (Osuna-Diaz) 26 November 1991 (26.11.91)	
A	US 5,098,274 A (Krishnakumar et al) 24 March 1992	

Further documents are listed in the continuation of Box C.

See patent family annex.

\* Special categories of cited documents:

"A" document defining the general state of the art which is not considered to be of particular relevance

"E" earlier application or patent published on or after the international filing date

"L" document which may throw doubts on priority claim(s) or which is cited to establish the publication date of another citation or other special reason (as specified)

"O" document referring to an oral disclosure, use, exhibition or other means

"P" document published prior to the international filing date but later than the priority date claimed

"T"

later document published after the international filing date or priority date and not in conflict with the application but cited to understand the principle or theory underlying the invention

"X"

document of particular relevance; the claimed invention cannot be considered novel or cannot be considered to involve an inventive step when the document is taken alone

"Y"

document of particular relevance; the claimed invention cannot be considered to involve an inventive step when the document is combined with one or more other such documents, such combination being obvious to a person skilled in the art

"&"

document member of the same patent family

Date of the actual completion of the international search

02 October 2007 (02.10.2007)

Date of mailing of the international search report

31 OCT 2007

Name and mailing address of the ISA/US

Mail Stop PCT, Attn: ISA/US  
Commissioner of Patents  
P.O. Box 1450  
Alexandria, Virginia 22313-1450

Authorized officer

Tim Heitbrink

DEBORAH A. THOMAS  
PARALEGAL SPECIALIST

Telephone No. 571-272-0987

*DCT*

Facsimile No. (571) 273-3201