



US00D833885S

(12) **United States Design Patent**
Montileone et al.

(10) **Patent No.:** **US D833,885 S**

(45) **Date of Patent:** **** Nov. 20, 2018**

(54) **CONTAINER WITH DETACHABLE BOTTOM AND DISPENSER**

1/165; B65D 1/20; A47K 5/12; A47K 5/1201; A47K 5/1202; A47K 5/1204; A47K 5/1205

(71) Applicants: **Karen Montileone**, St Louis, MO (US);
Steven Montileone, St Louis, MO (US)

See application file for complete search history.

(72) Inventors: **Karen Montileone**, St Louis, MO (US);
Steven Montileone, St Louis, MO (US)

(56) **References Cited**

(**) Term: **15 Years**

U.S. PATENT DOCUMENTS

(21) Appl. No.: **29/590,351**

D98,976 S * 3/1936 Bernhardt D23/231
D137,234 S * 2/1944 Bury D9/448
(Continued)

(22) Filed: **Jan. 10, 2017**

FOREIGN PATENT DOCUMENTS

(51) **LOC (11) Cl.** **09-01**

CA 2854929 A1 * 6/2013 B65D 83/38
EP 0687639 A1 * 12/1995 B65D 83/32

(52) **U.S. Cl.**
USPC **D9/692**; D9/448

(Continued)

(58) **Field of Classification Search**

Primary Examiner — Catherine A Tuttle

USPC D9/682–684, 715, 718, 719, 737, 738,
D9/739, 741–747, 723–725, 763,
D9/772–781, 500–505, 516, 517,
D9/544–547, 549–558, 434–436, 440,
D9/447–450, 900; D32/40–42, 45, 46;
D6/542

(74) *Attorney, Agent, or Firm* — Cramer Patent & Design,
PLLC; Aaron R. Cramer

CPC ... B05B 11/001; B05B 11/0008; B05B 11/30;
B05B 11/3012; B05B 11/3014; B05B
11/3043; B05B 11/3045; B05B 11/3046;
B05B 11/3047; B05B 11/0037; B05B
11/0056; B05B 11/0078; B05B 11/0081;
B05B 11/0086; B05B 11/0089; B05B
11/0097; B05B 15/20; B05B 15/30; B05B
15/33; B05B 15/37; B05B 15/50; B65D
81/3205; B65D 81/3211; B65D 81/325;
B65D 81/3255; B65D 83/14; B65D
83/36; B65D 83/38; B65D 83/40; B65D
83/68; B65D 83/75; B65D 83/752; B65D
83/753; B65D 83/7532; B65D 83/0005;
B65D 83/28; B65D 83/285; B65D 83/32;
B65D 83/34; B65D 83/345; B65D 83/42;
B65D 2231/00; B65D 2231/005; B65D
1/0261; B65D 1/04; B65D 1/06; B65D
1/12; B65D 1/14; B65D 1/16; B65D

(57) **CLAIM**

The ornamental design for a container with a detachable bottom and dispenser, as shown and described.

DESCRIPTION

FIG. 1 is an assembled top, front and side view of a container with a detachable bottom and dispenser, showing our new design;

FIG. 2 is a disassembled top, front side perspective view thereof;

FIG. 3 is a front elevation view thereof;

FIG. 4 is a rear elevation view thereof;

FIG. 5 is a left side elevation view thereof;

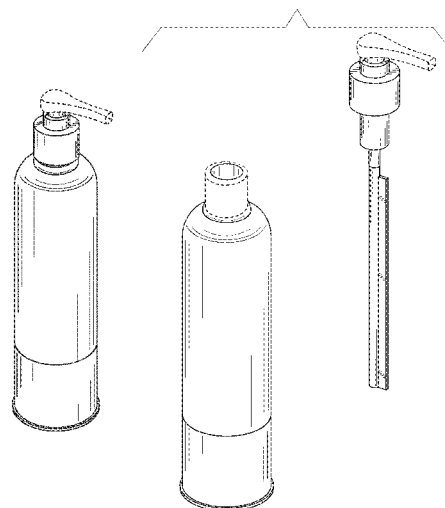
FIG. 6 is a right side elevation view thereof;

FIG. 7 is a top plan view thereof; and,

FIG. 8 is a bottom plan view thereof.

The broken lines are used to indicate portions of the container with a detachable bottom and dispenser that form no part of the claimed design.

1 Claim, 7 Drawing Sheets



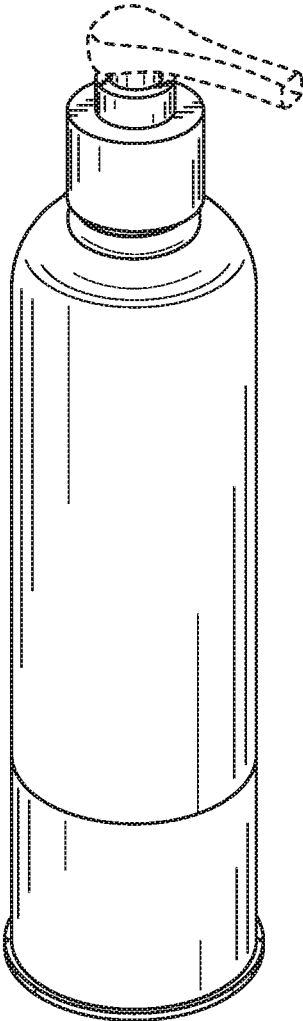


FIG. 1

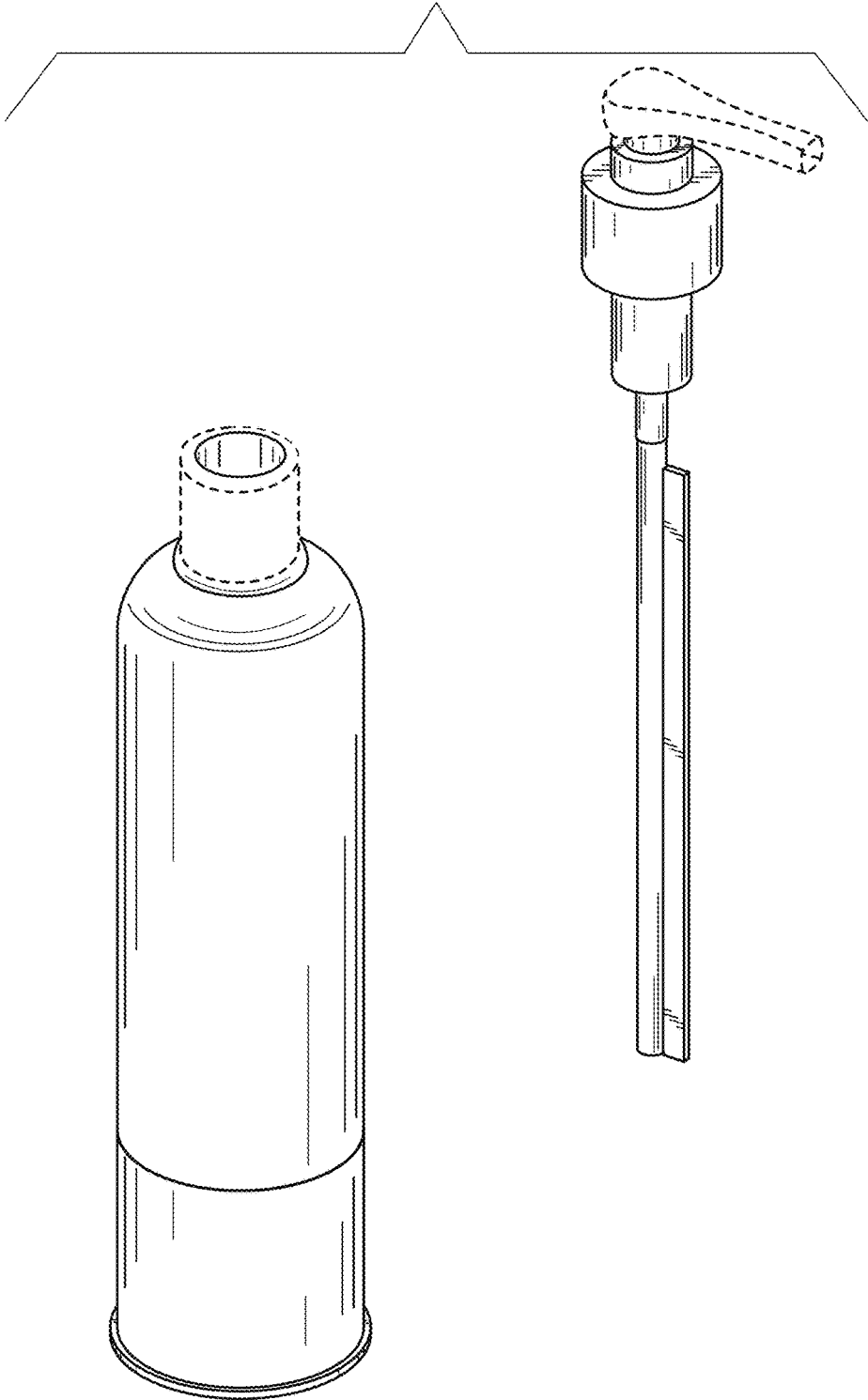


FIG. 2

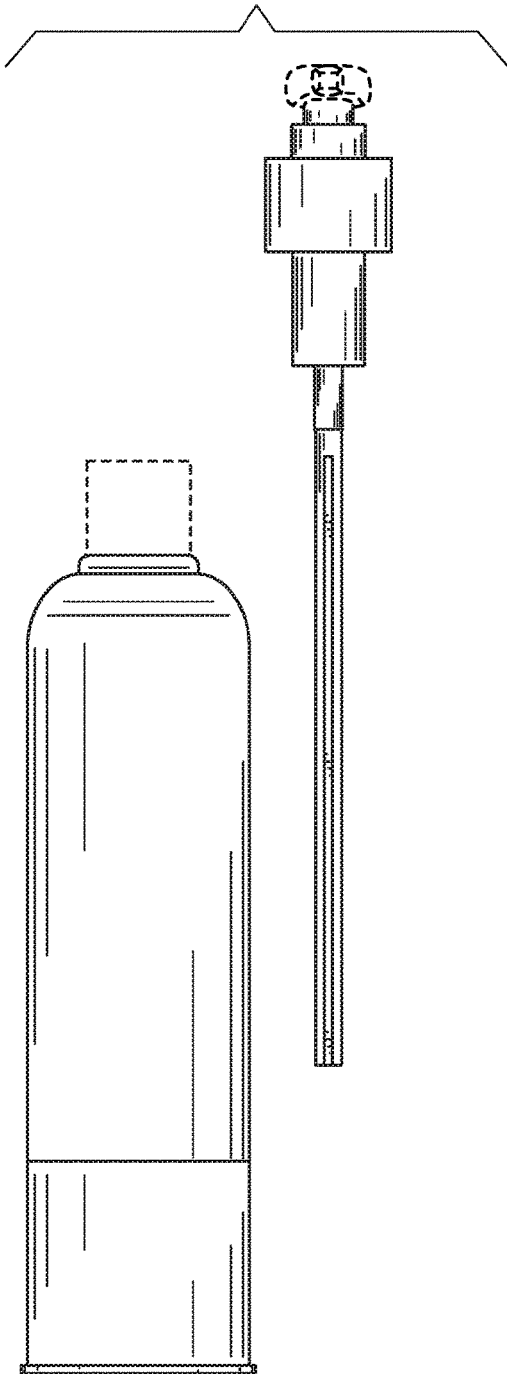


FIG. 3

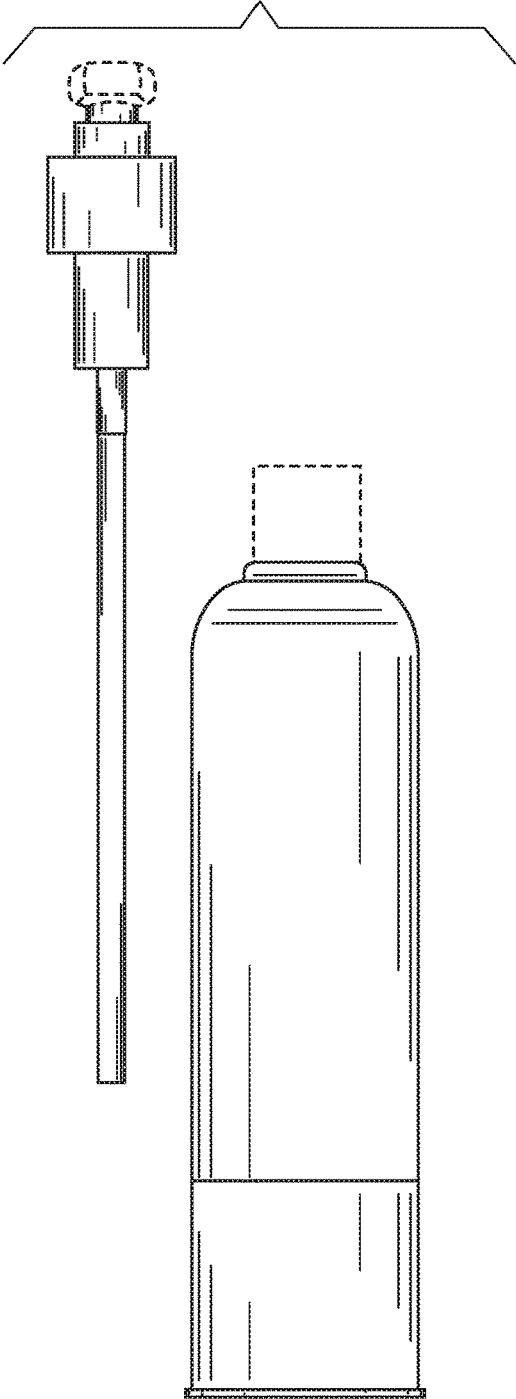


FIG. 4

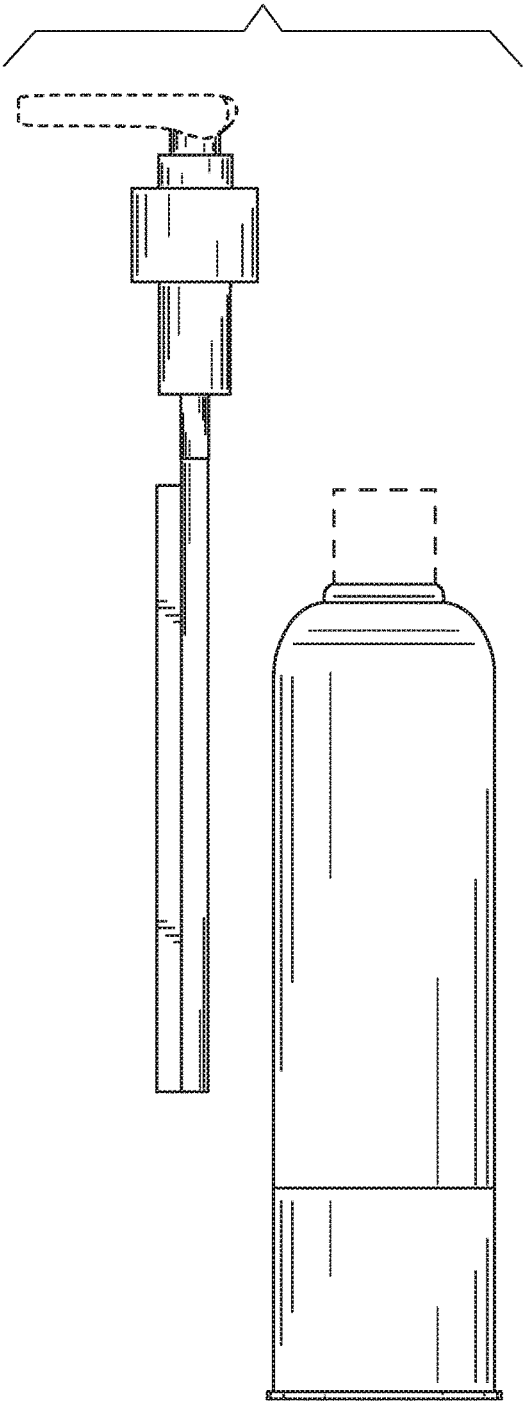


FIG. 5

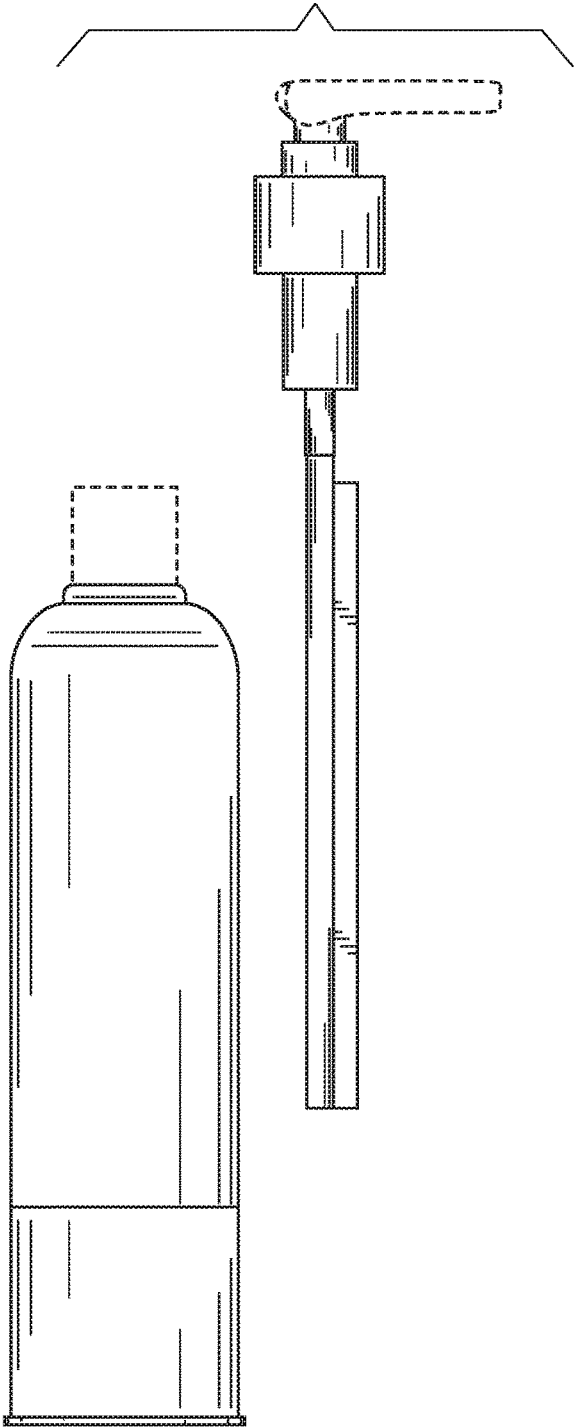


FIG. 6

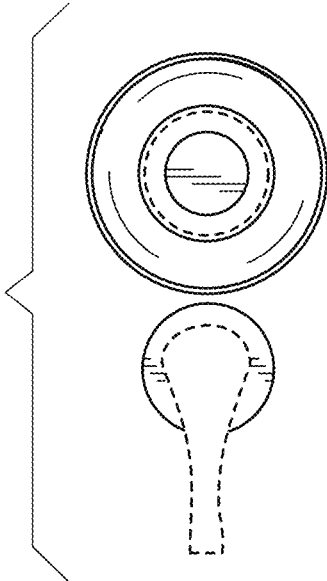


FIG. 7

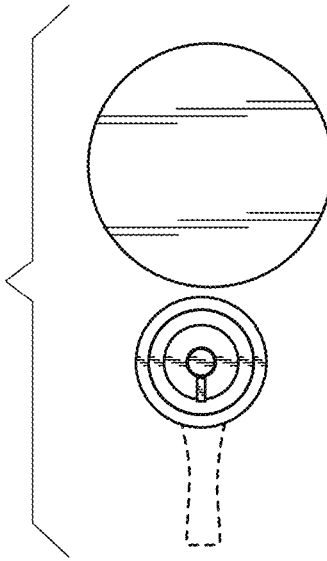


FIG. 8