



US00D583781S

(12) **United States Design Patent**
Derocher et al.

(10) **Patent No.:** **US D583,781 S**

(45) **Date of Patent:** **** Dec. 30, 2008**

(54) **VIDEO CONFERENCE ENDPOINT**

2006/0152894 A1* 7/2006 Moengen 361/681
2006/0244870 A1* 11/2006 Yamato et al. 348/836
2006/0249649 A1* 11/2006 Volk et al. 248/917

(75) Inventors: **Mike Derocher**, Albany, OR (US); **Brad Allen**, Salem, OR (US); **Mark E Gorzynski**, Corvallis, OR (US); **Wilfrido Loor Canizares**, Brooklyn, NY (US); **Mark Prommel**, New York, NY (US)

* cited by examiner

Primary Examiner—Raphael Barkai
Assistant Examiner—Randall H Gholson

(73) Assignee: **Hewlett-Packard Development Company, L.P.**, Houston, TX (US)

(57) **CLAIM**

The ornamental design of a video conference endpoint, as shown and described.

(**) Term: **14 Years**

(21) Appl. No.: **29/305,288**

DESCRIPTION

(22) Filed: **Mar. 17, 2008**

FIG. 1 shows a top back perspective view of the video conference endpoint having a first participant size and embodying the new design;

(51) **LOC (8) Cl.** **14-03**

(52) **U.S. Cl.** **D14/129**

(58) **Field of Classification Search** D14/125–134, D14/239, 371, 136, 374–377; D8/363, 373, D8/349, 394; 248/465, 917–624, 123.11; 348/825, 827, 836, 837, 838, 180, 184, 325, 348/739; 600/443; D6/477–479, 407, 474, D6/460, 461, 468; 312/7.2; 341/12; 345/87, 345/104, 133, 156, 168, 169, 173; 720/605, 720/669, 600, 655; 369/99, 197; 455/344–347; 349/1, 2, 11, 62; 108/59, 91, 92, 96; 211/40, 211/41.12, 42, 49.1, 50, 85.2, 90.04, 187, 211/190, 119.003, 134.153, 87.01, 71.01

FIG. 2 shows a top view of the video conference endpoint of FIG. 1;

FIG. 3 shows a right side view of the video conference endpoint of FIG. 1, the left side being a mirror image thereof;

FIG. 4 shows a top back perspective view of the video conference endpoint having a second participant size and embodying the new design;

FIG. 5 shows a top view of the video conference endpoint of FIG. 4; and,

FIG. 6 shows a right side view of the video conference endpoint of FIG. 4, the left side being a mirror image thereof.

See application file for complete search history.

The dashed-line showing of environment in the various figures is for illustrative purposes only and forms no part of the claimed design.

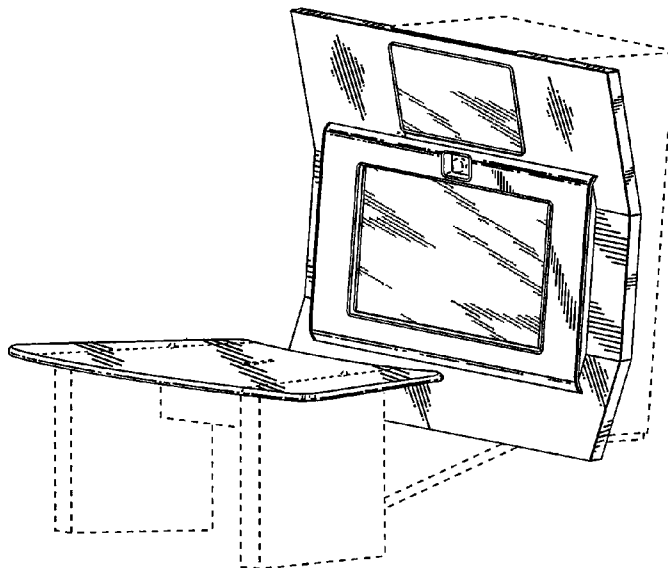
The design relates to the appearance of the video conference endpoint. The video conference endpoint comprises a media wall and a table.

(56) **References Cited**

U.S. PATENT DOCUMENTS

4,051,535 A * 9/1977 Inglis 348/785
4,231,067 A * 10/1980 Jewell et al. 348/785
4,712,870 A * 12/1987 Robinson et al. 359/738
7,352,415 B1 * 4/2008 Geronimi 348/739

1 Claim, 6 Drawing Sheets



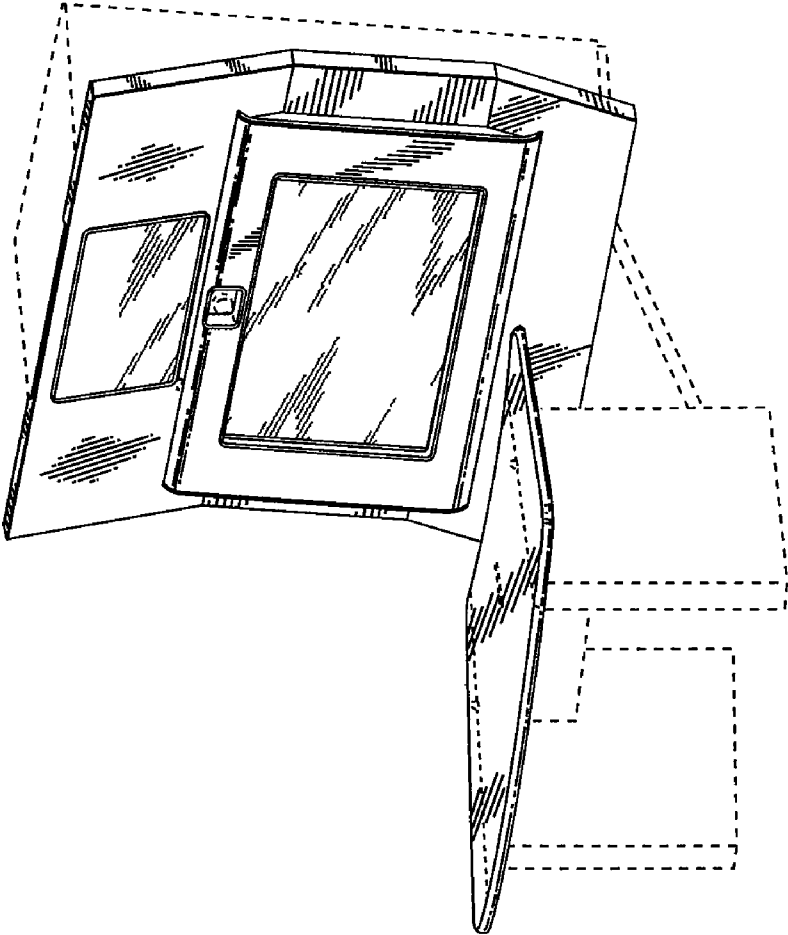


FIG. 1

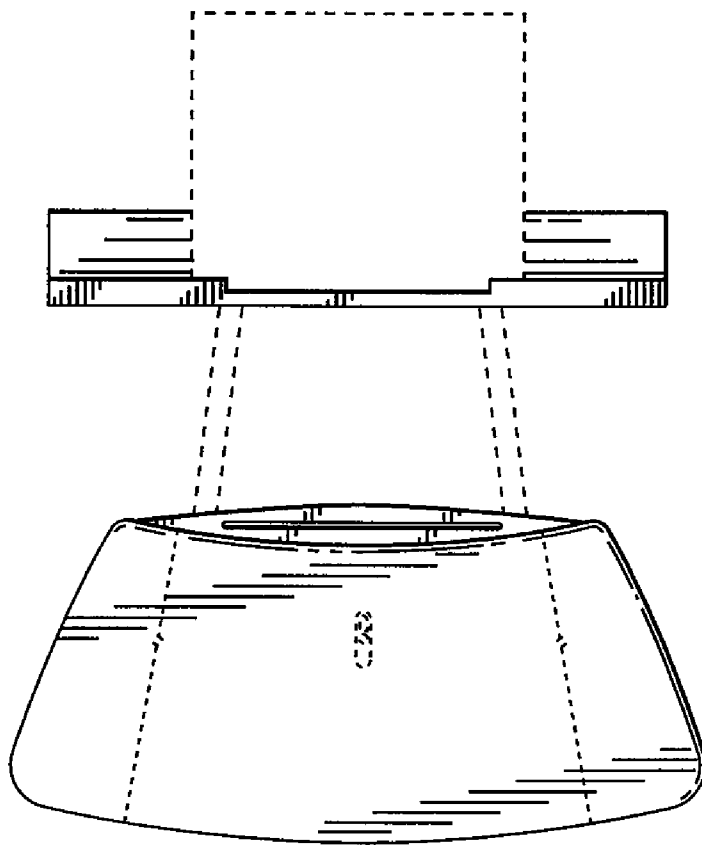


FIG. 2

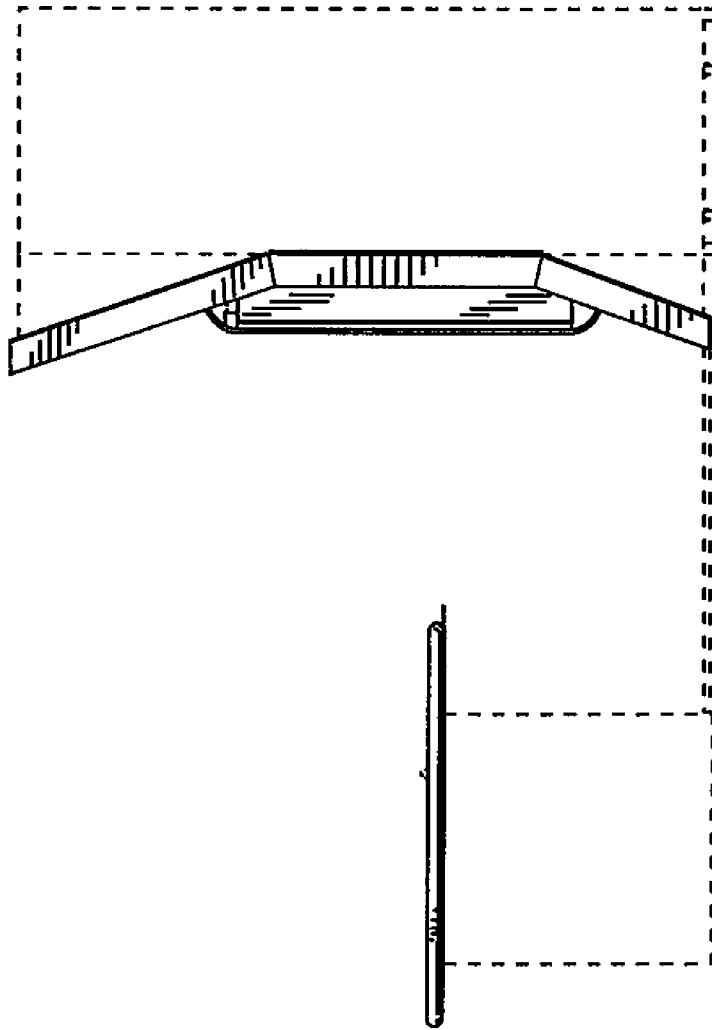


FIG. 3

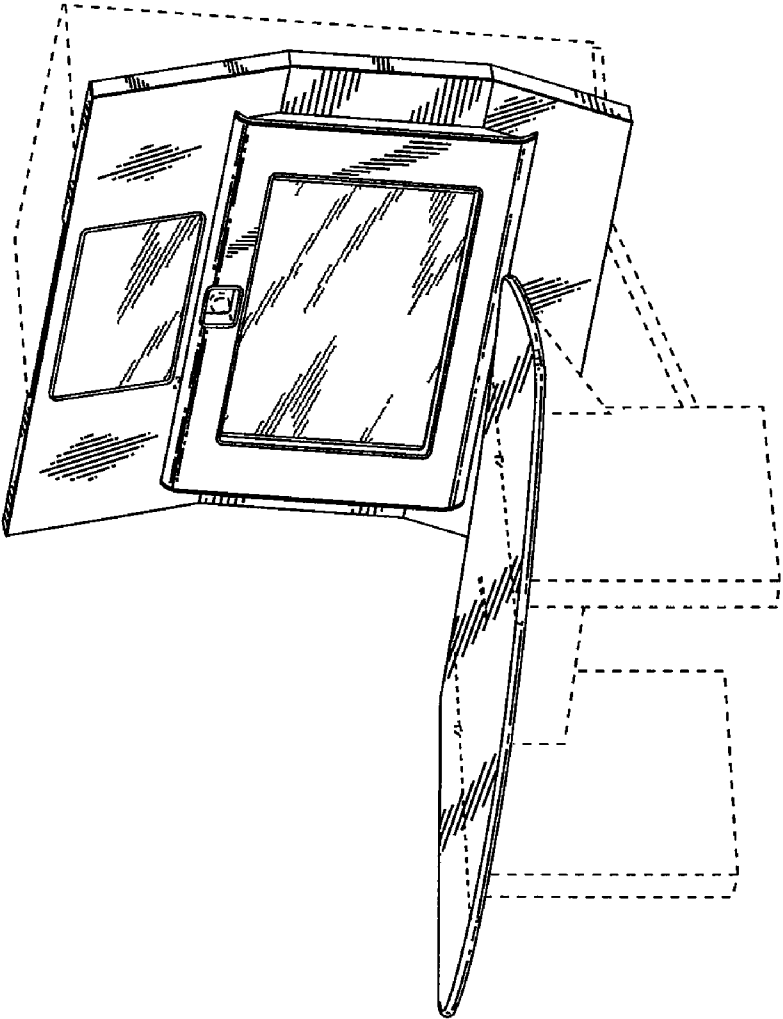


FIG. 4

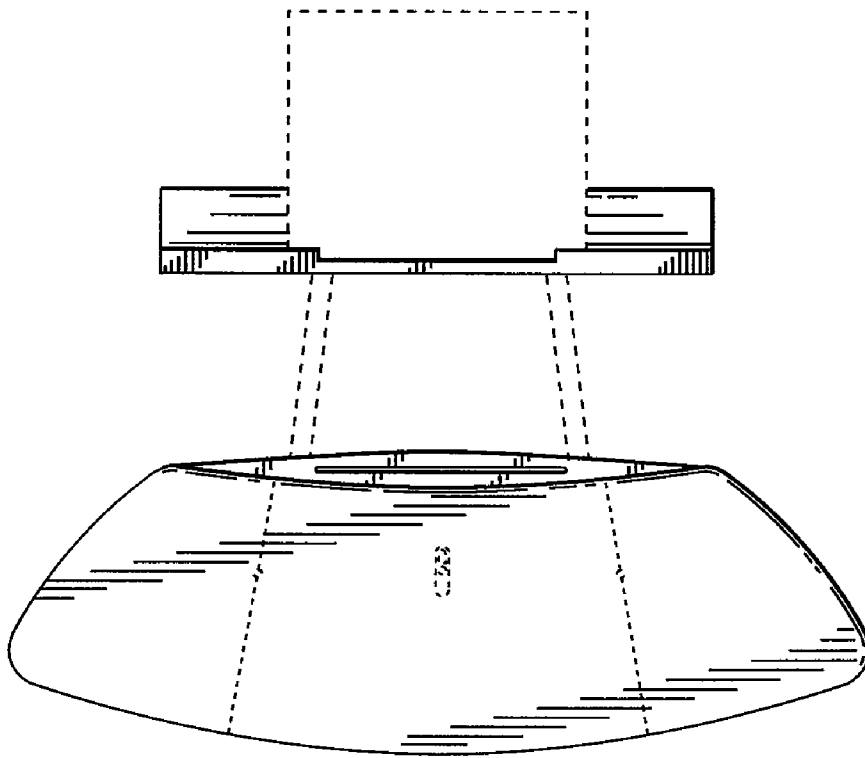


FIG. 5

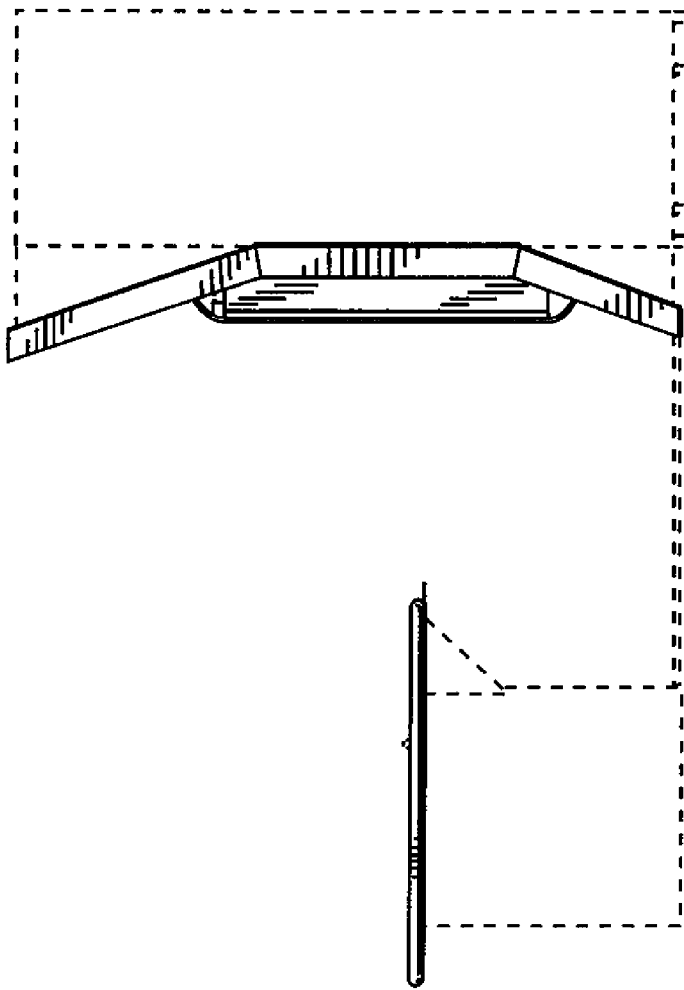


FIG. 6