



US00D453072S

(12) **United States Design Patent**  
**Brewer**

(10) **Patent No.:** **US D453,072 S**

(45) **Date of Patent:** **\*\* Jan. 29, 2002**

(54) **PORTABLE GREASE GUN AND CARTRIDGE CONTAINER**

5,788,072 A \* 8/1998 Chen ..... 206/372  
5,915,554 A \* 6/1999 Hung ..... 206/372

(76) Inventor: **Chester Arley Brewer**, 1799 Tuckaway Ct., Springboro, OH (US) 45066

\* cited by examiner

(\*\*) Term: **14 Years**

*Primary Examiner*—Philip S. Hyder

(21) Appl. No.: **29/134,844**

(57) **CLAIM**

(22) Filed: **Jan. 2, 2001**

The ornamental design for a portable grease gun and cartridge container, as shown and described.

(51) **LOC (7) Cl.** ..... **03-01**

**DESCRIPTION**

(52) **U.S. Cl.** ..... **D3/274; D8/14.1**

FIG. 1 is a perspective view of the portable grease gun and cartridge container.

(58) **Field of Search** ..... D3/272, 273, 274, D3/276, 283, 294, 295, 905; D8/14.1; 206/349, 372, 373; 222/256, 257, 258, 259, 260

FIG. 2 is a front view of the portable grease gun and cartridge container.

(56) **References Cited**

FIG. 3 is a rear view of the portable grease gun and cartridge container.

**U.S. PATENT DOCUMENTS**

FIG. 4 is a left side view of the portable grease gun and cartridge container.

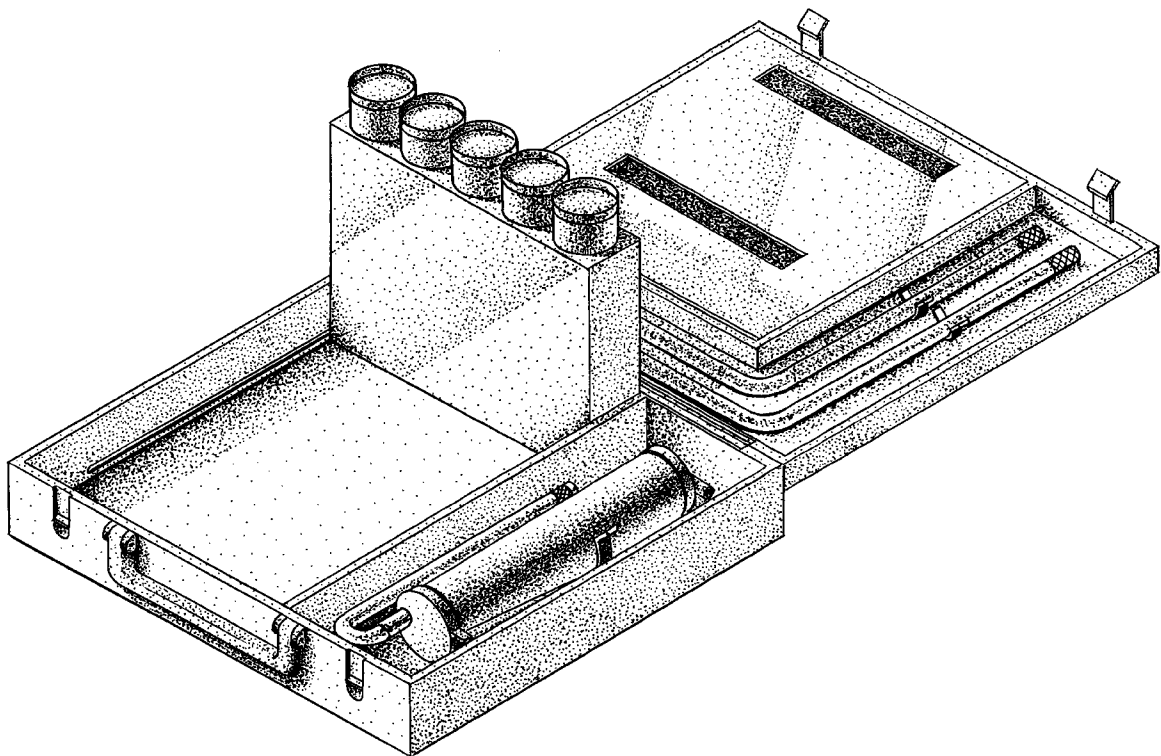
D205,579 S	*	8/1966	Snyder	.....	D3/281
D205,580 S	*	8/1966	Snyder	.....	D3/281
3,878,939 A	*	4/1975	Wilcox	.....	206/373
4,093,010 A	*	6/1978	Hunley et al.	.....	206/316
D256,522 S	*	8/1980	Peterson	.....	D3/284
D289,461 S	*	4/1987	Humphries	.....	D3/284
D309,143 S	*	7/1990	Yang	.....	D3/281
D370,609 S	*	6/1996	Butt	.....	D3/282
D380,611 S	*	7/1997	Mancusi	.....	D3/284

FIG. 5 is a right side view of the portable grease gun and cartridge container.

FIG. 6 is a top plan view of the portable grease gun and cartridge container; and,

FIG. 7 is a bottom plan view of the portable grease gun and cartridge container.

**1 Claim, 6 Drawing Sheets**



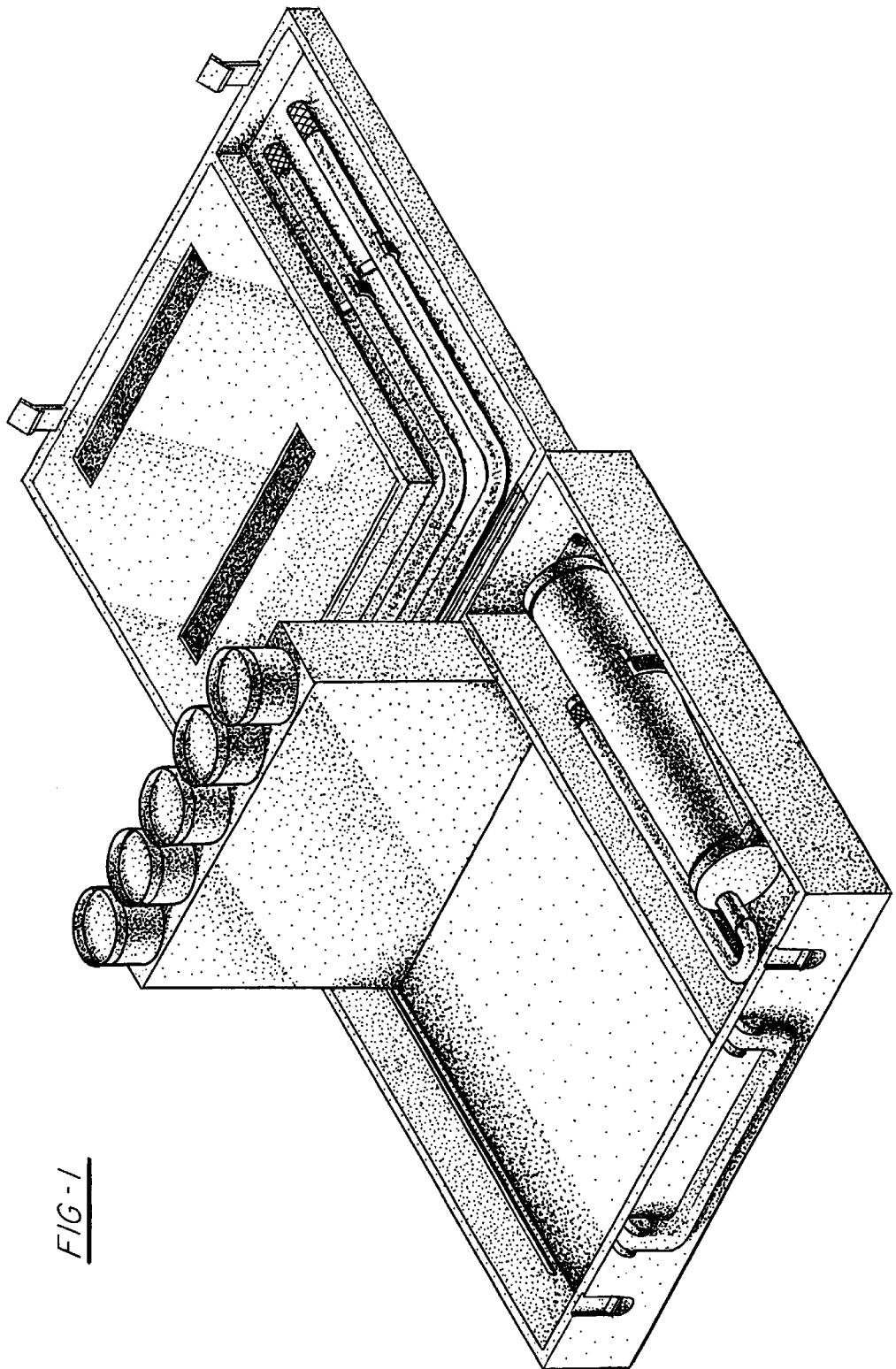


FIG-1

FIG - 2

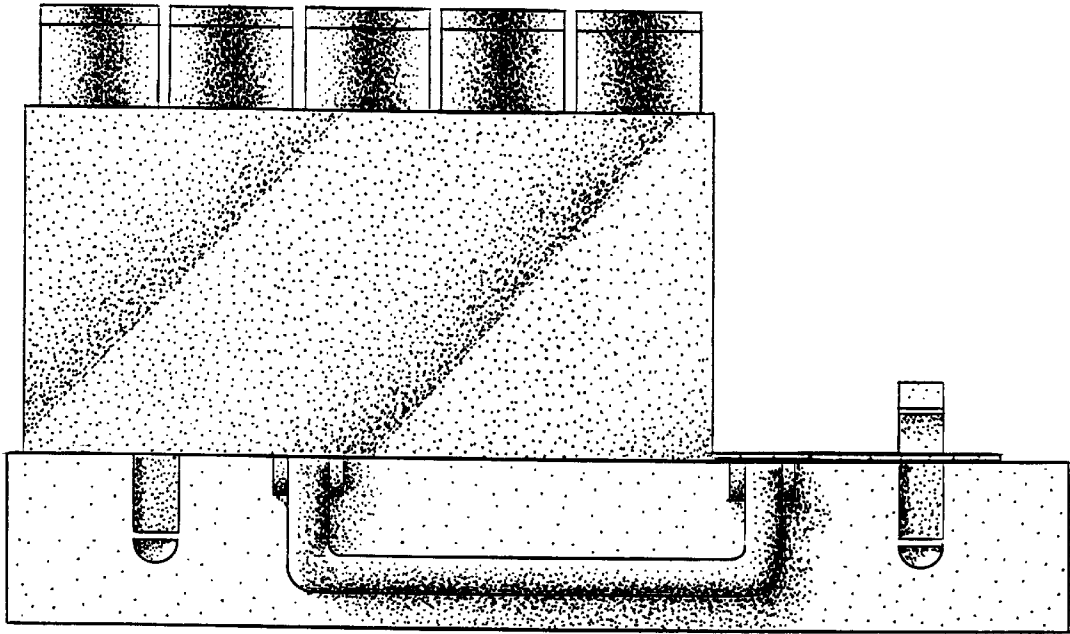
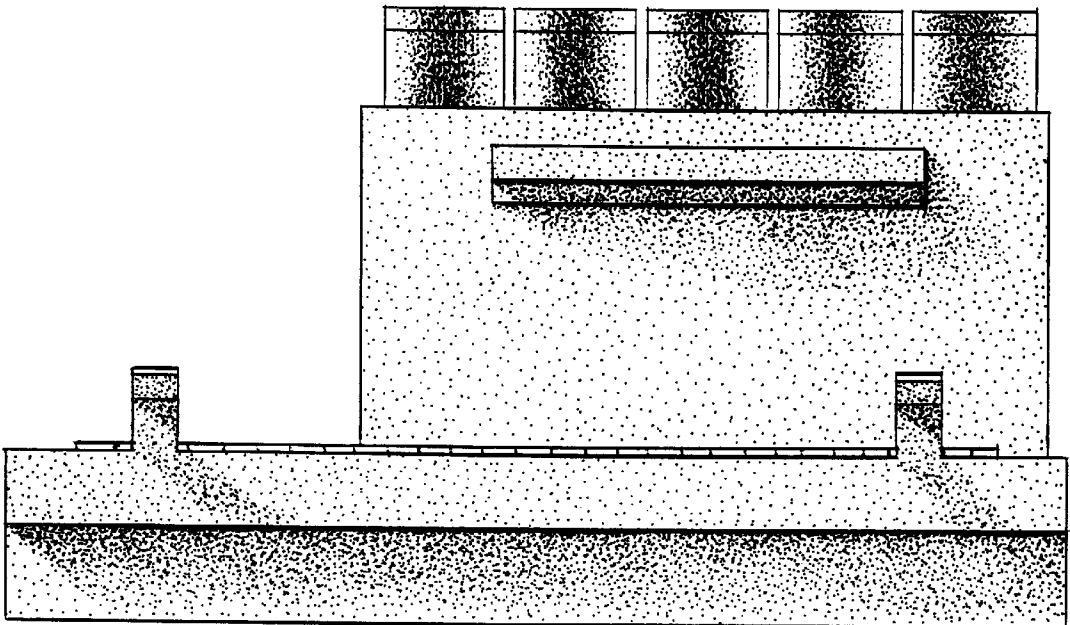


FIG - 3



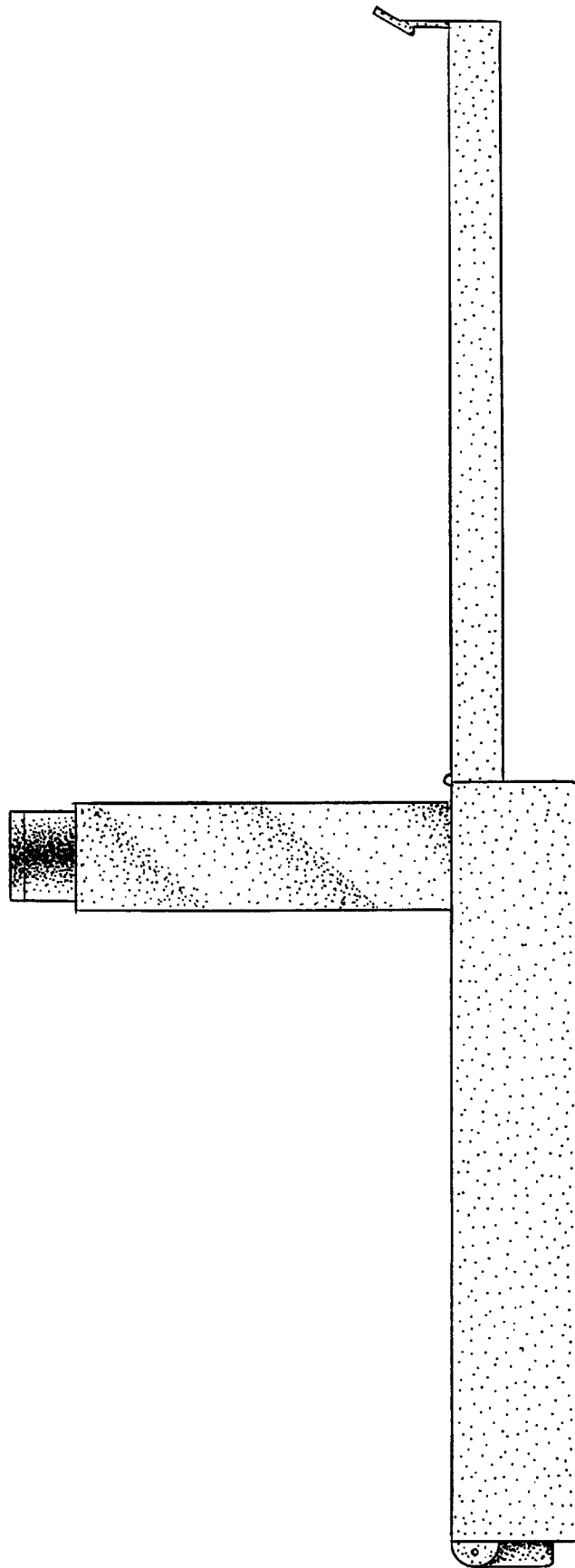


FIG-4

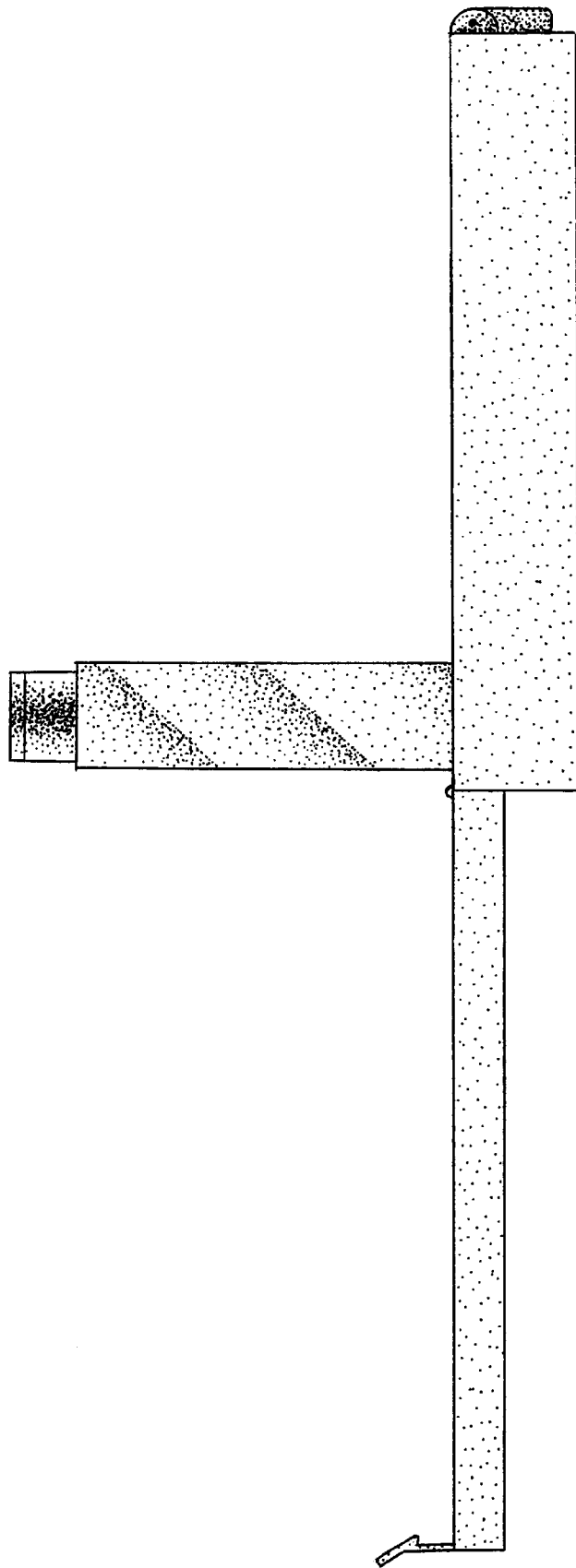


FIG - 5

FIG - 6

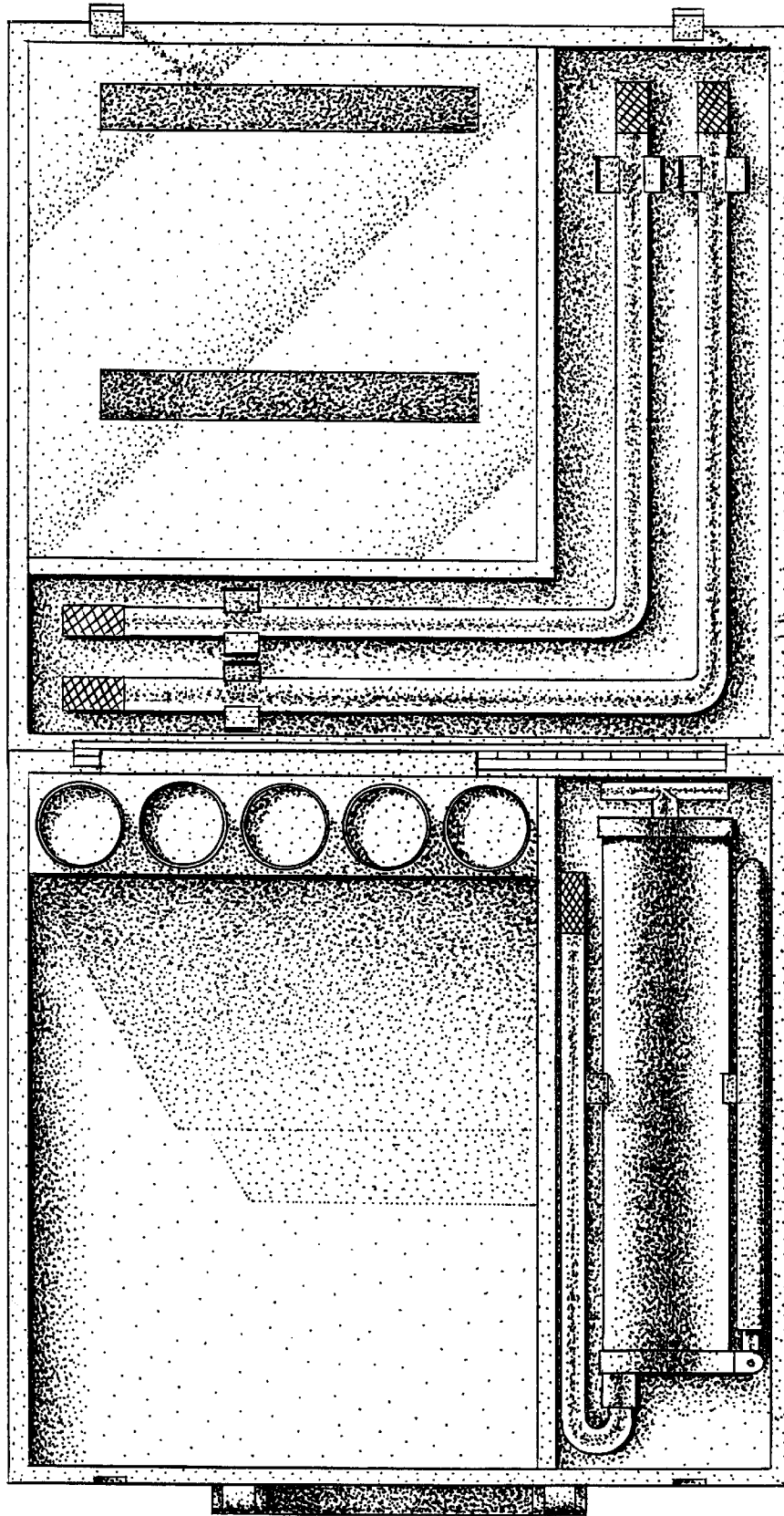


FIG-7

