



US00D356147S

United States Patent [19]

[11] Patent Number: **Des. 356,147**

Clivio

[45] Date of Patent: **** Mar. 7, 1995**

[54] **HOSE COUPLING WITH WATER REGULATOR**

D. 325,961 5/1992 Hayes D23/262
2,989,283 6/1961 Klingler 251/243 X

[75] Inventor: **Franco Clivio**, Erlenbach, Switzerland

OTHER PUBLICATIONS

Gardena Catalog, pp. 16 and 19, 1992.

[73] Assignee: **Gardena Kress + Kastner GmbH**, Germany

Primary Examiner—A. Hugo Word
Assistant Examiner—Eric M. Watterson
Attorney, Agent, or Firm—Quarles & Brady

[**] Term: **14 Years**

[21] Appl. No.: **17,171**

[57] CLAIM

[22] Filed: **Jan. 6, 1994**

The ornamental design for a hose coupling with water regulator, as shown and described.

[30] Foreign Application Priority Data

Jul. 6, 1993 [DE] Germany 93 05 346.0

DESCRIPTION

[52] U.S. Cl. **D23/262**

[58] Field of Search D23/262-265;
137/614, 614.05; 251/148, 149.6, 149.9

FIG. 1 is a side perspective view of a hose coupling with water regulator showing my new design;
FIG. 2 is a side elevation view thereof;
FIG. 3 is a top plan view thereof;
FIG. 4 is an opposite side elevation view thereof;
FIG. 5 is a front elevation view thereof;
FIG. 6 is a rear elevation view thereof; and,
FIG. 7 is a bottom plan view thereof.

[56] References Cited

U.S. PATENT DOCUMENTS

D. 183,042 6/1958 Fuglie D23/262 X

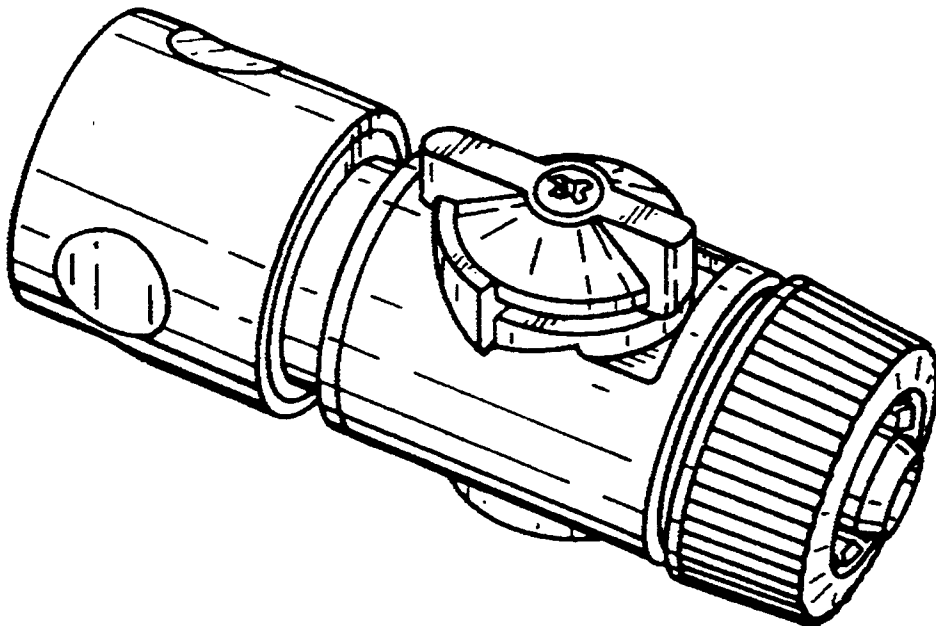


Fig. 1

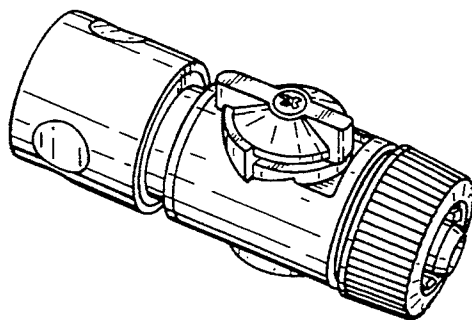


Fig. 2

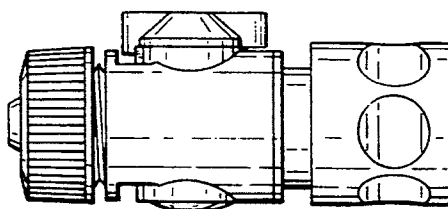


Fig. 3

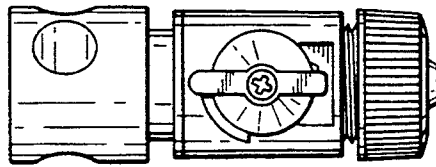


Fig. 5

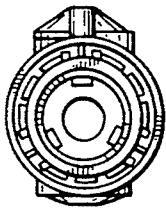


Fig. 4

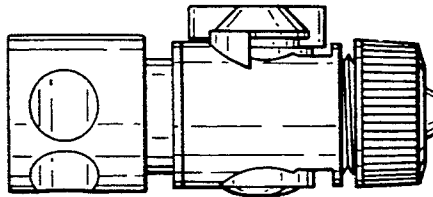


Fig. 6

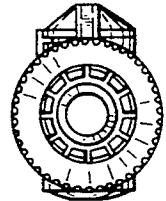


Fig. 7

