



US00D356256S

United States Patent [19] Romanoff

[11] Patent Number: Des. 356,256

[45] Date of Patent: ** Mar. 14, 1995

- [54] STORAGE BOX WITH LID
- [75] Inventor: David Romanoff, New York, N.Y.
- [73] Assignee: Romanoff Products, Inc., New York, N.Y.
- [**] Term: 14 Years
- [21] Appl. No.: 17,304
- [22] Filed: Jan. 10, 1994
- [52] U.S. Cl. D9/425; D9/432; D7/629
- [58] Field of Search D9/424, 425, 430, 431, D9/432, 423; D7/629; 206/508; 220/253, 307, 345, 351, 356, 363, 380, 387

4,286,713 9/1981 Marchais 220/380 X
 4,819,795 4/1989 Swaney 206/508 X

OTHER PUBLICATIONS

Good House Keeping Jul. 1974, p. 124c.
 McKee Glass Co., 1942, p. 3.

Primary Examiner—Prabhakar G. Deshmukh
Attorney, Agent, or Firm—Saidman DesignLaw Group

[56] References Cited

U.S. PATENT DOCUMENTS

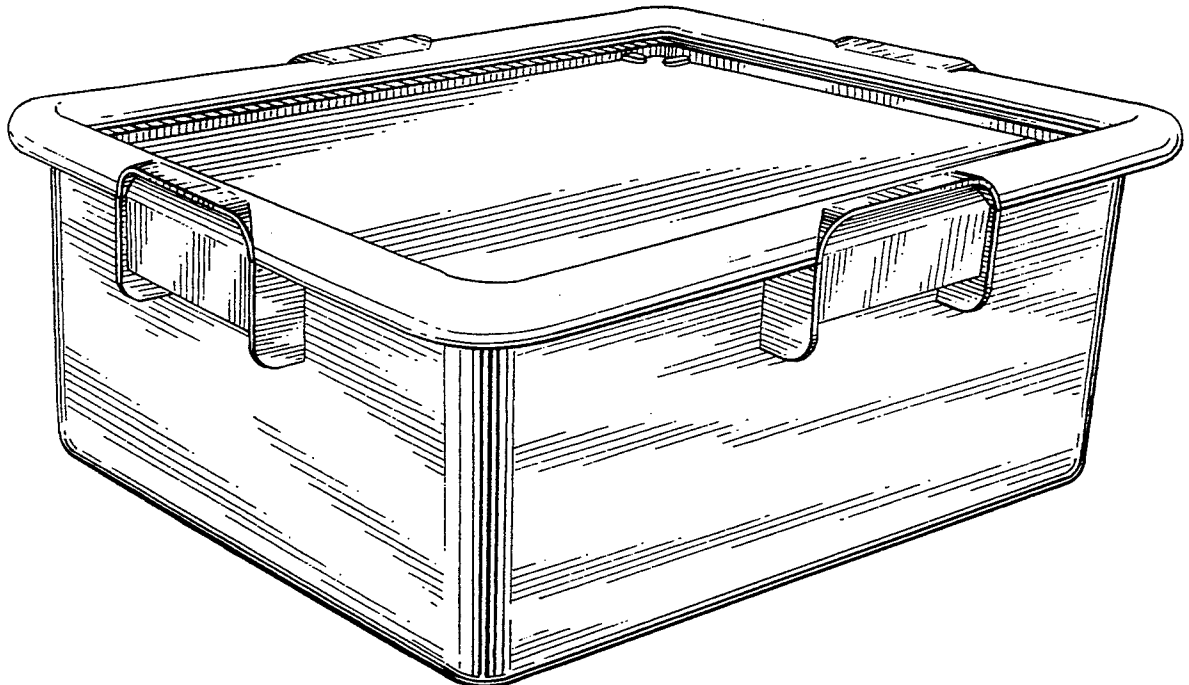
- D. 289,262 4/1987 Goetz et al. D9/431 X
- D. 302,774 8/1989 Murphy D9/425 X
- D. 311,334 10/1990 Flynn et al. D7/629 X
- 3,383,009 5/1968 Weikert 206/508 X
- 3,447,714 6/1969 Elliot 220/380

[57] CLAIM

The ornamental design for a storage box with lid, as shown and described.

DESCRIPTION

FIG. 1 is a perspective view of a storage box with lid showing my new design;
 FIG. 2 is a side view in elevation thereof, the other side being substantially identical;
 FIG. 3 is an end view in elevation thereof, the other end being substantially identical;
 FIG. 4 is a top view thereof;
 FIG. 5 is a bottom view thereof; and,
 FIG. 6 is an exploded, perspective view thereof.



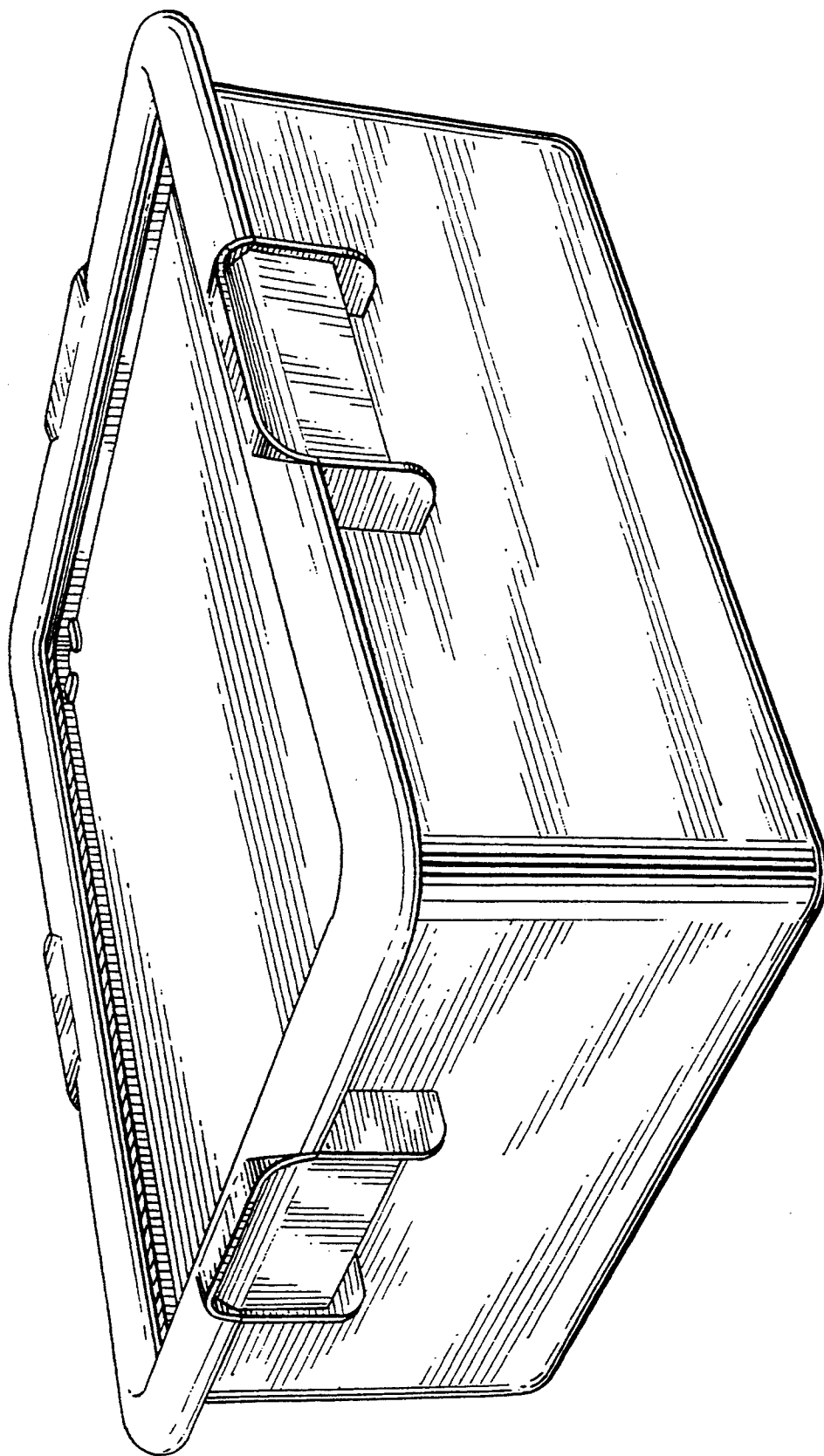


FIG. 1

FIG. 4

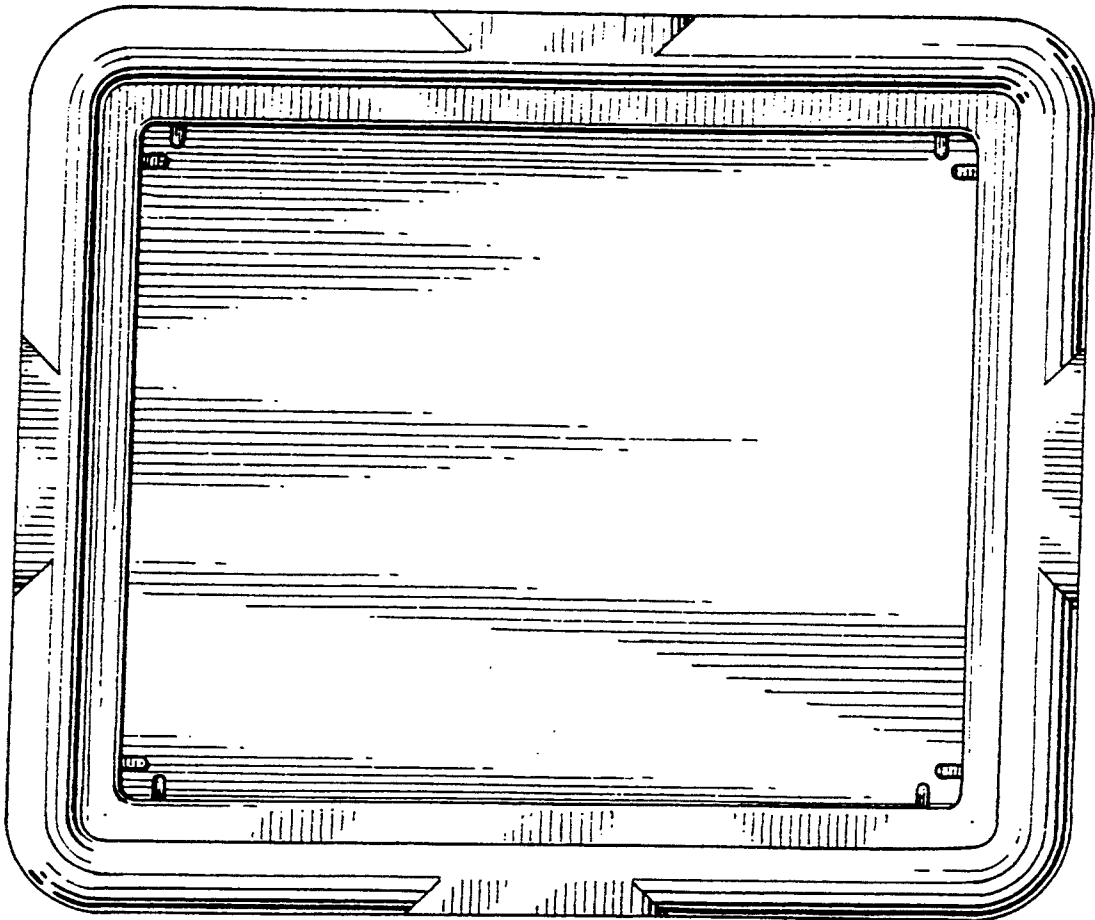


FIG. 2

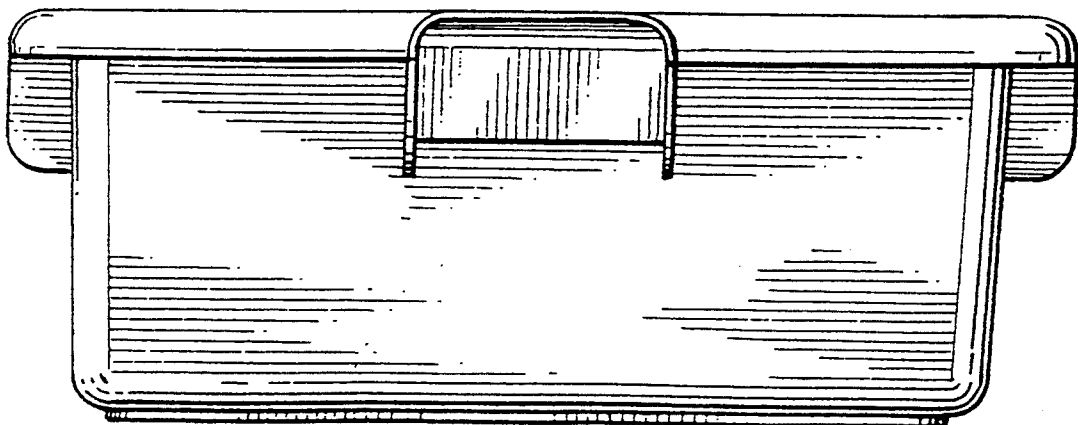


FIG. 5

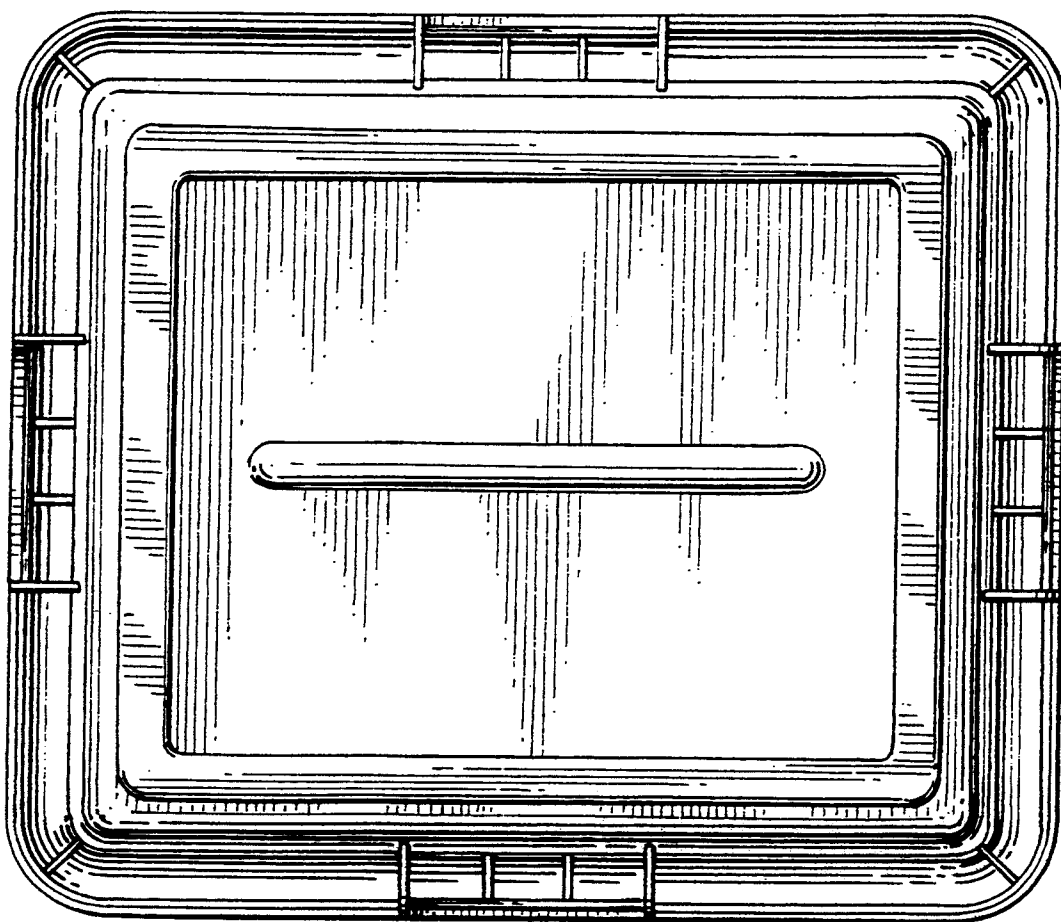
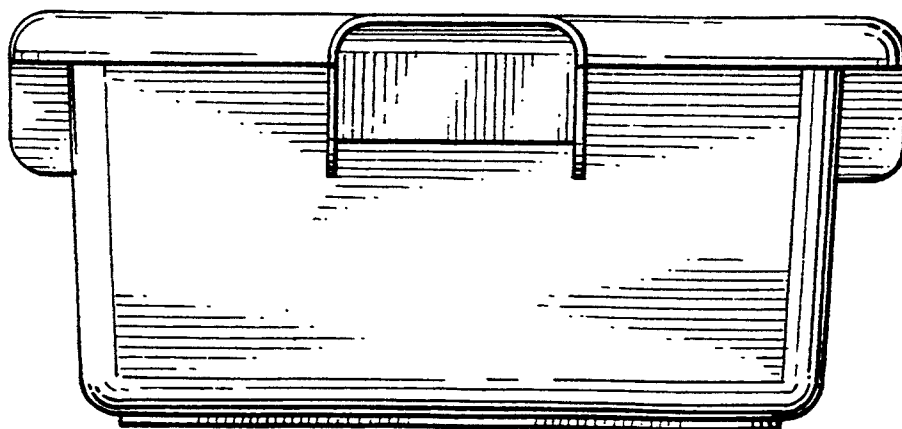


FIG. 3



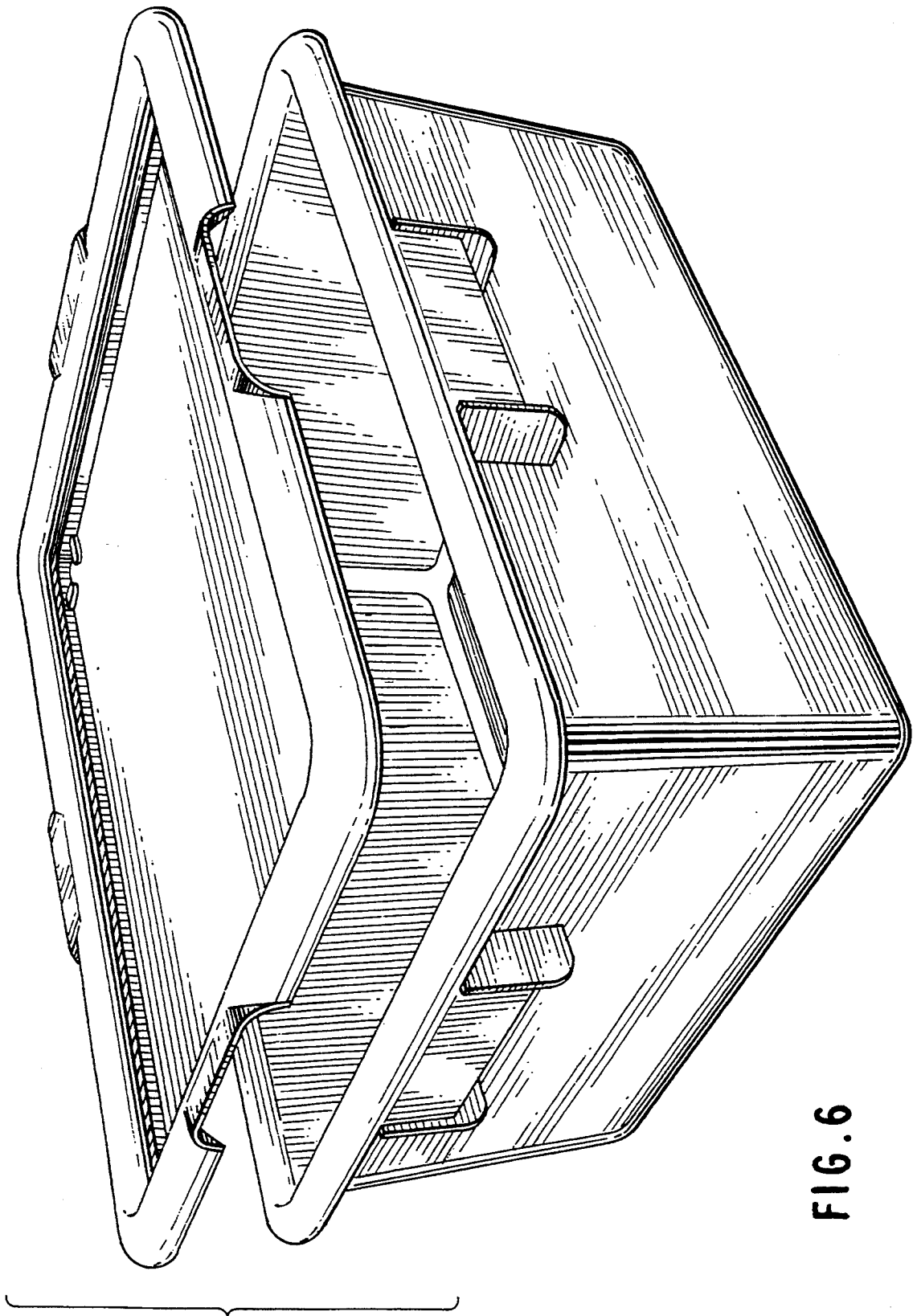


FIG. 6