

(19) World Intellectual Property
Organization
International Bureau



(43) International Publication Date
14 April 2005 (14.04.2005)

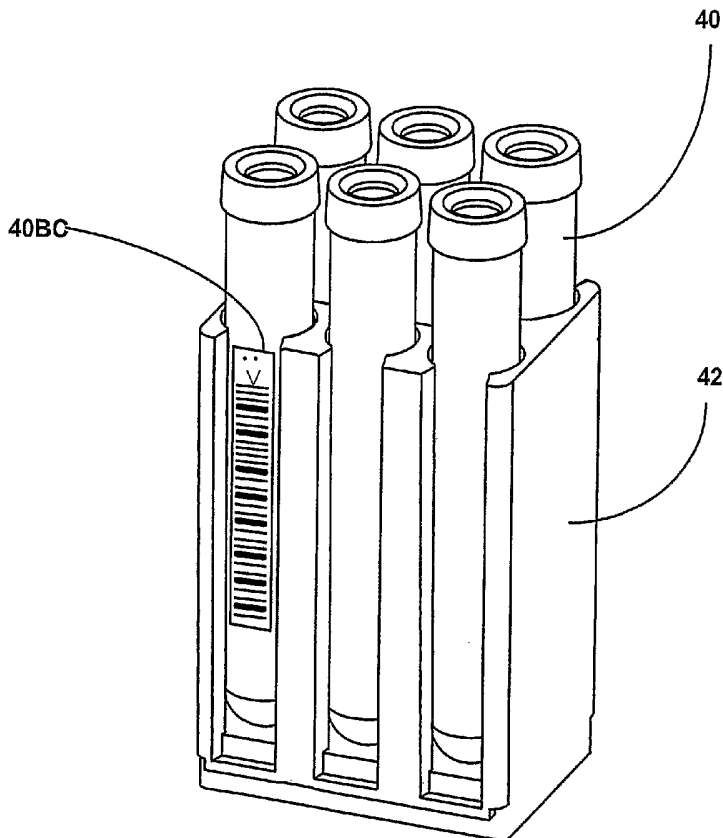
PCT

(10) International Publication Number
WO 2005/033656 A3

- (51) International Patent Classification⁷: G01N 21/00, 27/00, G06K 19/06, 7/10
- (72) Inventor; and
(75) Inventor/Applicant (for US only): DAVIS, Randall, Rex [US/US]; 91 Emerald Ridge Drive, Bear, DE 19701 (US).
- (21) International Application Number: PCT/US2004/030082
- (74) Agents: TYMESON, Cynthia, G. et al.; Dade Behring Inc., 1717 Deerfield Road, Deerfield, IL 60015 (US).
- (22) International Filing Date: 17 September 2004 (17.09.2004)
- (81) Designated States (unless otherwise indicated, for every kind of national protection available): AE, AG, AL, AM, AT, AU, AZ, BA, BB, BG, BR, BW, BY, BZ, CA, CH, CN, CO, CR, CU, CZ, DE, DK, DM, DZ, EC, EE, EG, ES, FI, GB, GD, GE, GH, GM, HR, HU, ID, IL, IN, IS, JP, KE, KG, KP, KR, KZ, LC, LK, LR, LS, LT, LU, LV, MA, MD, MG, MK, MN, MW, MX, MZ, NA, NI, NO, NZ, OM, PG, PH, PL, PT, RO, RU, SC, SD, SE, SG, SK, SL, SY, TJ, TM, TN, TR, TT, TZ, UA, UG, US, UZ, VC, VN, YU, ZA, ZM, ZW.
- (25) Filing Language: English
- (26) Publication Language: English
- (30) Priority Data: 10/670,882 25 September 2003 (25.09.2003) US
- (71) Applicant (for all designated States except US): DADE BEHRING INC. [US/US]; 1717 Deerfield Road, Deerfield, IL 60015 (US).
- (84) Designated States (unless otherwise indicated, for every kind of regional protection available): ARIPO (BW, GH, GM, KE, LS, MW, MZ, NA, SD, SL, SZ, TZ, UG, ZM,

[Continued on next page]

(54) Title: METHOD FOR IDENTIFYING OBJECTS TO BE USED IN AN AUTOMATIC CLINICAL ANALYZER



(57) Abstract: Automatically entering data (40BC) into a clinical analyzer's (10) operating control system, the data (40BC) associated with an object (40, 42) to be placed into the clinical analyzer (10), by providing special symbols (40BC) as an additional identifier in indicia (40BC) affixed to the object (40, 42).

WO 2005/033656 A3



ZW), Eurasian (AM, AZ, BY, KG, KZ, MD, RU, TJ, TM), European (AT, BE, BG, CH, CY, CZ, DE, DK, EE, ES, FI, FR, GB, GR, HU, IE, IT, LU, MC, NL, PL, PT, RO, SE, SI, SK, TR), OAPI (BF, BJ, CF, CG, CI, CM, GA, GN, GQ, GW, ML, MR, NE, SN, TD, TG).

Declarations under Rule 4.17:

- as to applicant's entitlement to apply for and be granted a patent (Rule 4.17(ii)) for the following designations AE, AG, AL, AM, AT, AU, AZ, BA, BB, BG, BR, BW, BY, BZ, CA, CH, CN, CO, CR, CU, CZ, DE, DK, DM, DZ, EC, EE, EG, ES, FI, GB, GD, GE, GH, GM, HR, HU, ID, IL, IN, IS, JP, KE, KG, KP, KR, KZ, LC, LK, LR, LS, LT, LU, LV, MA, MD, MG, MK, MN, MW, MX, MZ, NA, NI, NO, NZ, OM, PG, PH, PL, PT, RO, RU, SC, SD, SE, SG, SK, SL, SY, TJ, TM, TN, TR, TT, TZ, UA, UG, UZ, VC, VN, YU, ZA, ZM, ZW, ARIPO patent (BW, GH, GM, KE, LS, MW, MZ, NA, SD, SL, SZ, TZ, UG, ZM, ZW), Eurasian patent (AM, AZ, BY, KG, KZ, MD, RU, TJ, TM), European patent (AT, BE, BG, CH, CY, CZ, DE, DK, EE, ES, FI, FR, GB, GR, HU, IE, IT, LU, MC, NL, PL, PT, RO, SE, SI, SK, TR), OAPI patent (BF, BJ, CF, CG, CI, CM, GA, GN, GQ, GW, ML, MR, NE, SN, TD, TG)
- as to the applicant's entitlement to claim the priority of the earlier application (Rule 4.17(iii)) for the following designations AE, AG, AL, AM, AT, AU, AZ, BA, BB, BG, BR, BW,

BY, BZ, CA, CH, CN, CO, CR, CU, CZ, DE, DK, DM, DZ, EC, EE, EG, ES, FI, GB, GD, GE, GH, GM, HR, HU, ID, IL, IN, IS, JP, KE, KG, KP, KR, KZ, LC, LK, LR, LS, LT, LU, LV, MA, MD, MG, MK, MN, MW, MX, MZ, NA, NI, NO, NZ, OM, PG, PH, PL, PT, RO, RU, SC, SD, SE, SG, SK, SL, SY, TJ, TM, TN, TR, TT, TZ, UA, UG, UZ, VC, VN, YU, ZA, ZM, ZW, ARIPO patent (BW, GH, GM, KE, LS, MW, MZ, NA, SD, SL, SZ, TZ, UG, ZM, ZW), Eurasian patent (AM, AZ, BY, KG, KZ, MD, RU, TJ, TM), European patent (AT, BE, BG, CH, CY, CZ, DE, DK, EE, ES, FI, FR, GB, GR, HU, IE, IT, LU, MC, NL, PL, PT, RO, SE, SI, SK, TR), OAPI patent (BF, BJ, CF, CG, CI, CM, GA, GN, GQ, GW, ML, MR, NE, SN, TD, TG)

Published:

- with international search report
- before the expiration of the time limit for amending the claims and to be republished in the event of receipt of amendments

(88) Date of publication of the international search report:

15 December 2005

For two-letter codes and other abbreviations, refer to the "Guidance Notes on Codes and Abbreviations" appearing at the beginning of each regular issue of the PCT Gazette.

INTERNATIONAL SEARCH REPORT

International application No.

PCT/US04/30082

A. CLASSIFICATION OF SUBJECT MATTER

IPC(7) : G01N 21/00, G01N 27/00; G06K 19/06, G06K 7/10
 US CL : 235/462.07, 494; 422/58, 63, 64, 65, 67, 82.01, 82.03; 436/43; 702/22, 30, 31

According to International Patent Classification (IPC) or to both national classification and IPC

B. FIELDS SEARCHED

Minimum documentation searched (classification system followed by classification symbols)
 U.S. : 235/462.07, 494; 422/58, 63, 64, 65, 67, 82.01, 82.03; 436/43; 702/22, 30, 31

Documentation searched other than minimum documentation to the extent that such documents are included in the fields searched

Electronic data base consulted during the international search (name of data base and, where practicable, search terms used)
 Please See Continuation Sheet

C. DOCUMENTS CONSIDERED TO BE RELEVANT

Category *	Citation of document, with indication, where appropriate, of the relevant passages	Relevant to claim No.
X	WO 85/02257 A (KNUDSEN et al) 23 May 1985, see entire document.	1-3,9
X	US 5,004,583 A (GURUSWAMY et al) 02 April 1991, see entire document.	1-3,9
X	US 5,357,095 A (WEYRAUCH et al) 18 October 1994, see entire document.	1-2,4,7
X	US 5,700,429 A (BUHLER et al) 23 December 1997, see entire document.	1-3,5-8
Y	US 4,855,909 A (VINCENT et al) 08 August 1989, see entire document.	1-9
Y	US 5,075,077 A (DURLEY, III et al) 24 December 1991, see entire document.	1-9
Y	US 5,288,976 A (CITRON et al) 22 February 1994, see entire document.	1-9
Y	US 5,348,705 A (KOREYASU et al) 20 September 1994, see entire document.	1-9
Y	US 5,602,382 A (ULVR et al) 11 February 1997, see entire document.	1-9

Further documents are listed in the continuation of Box C. See patent family annex.

* Special categories of cited documents:	"T"	later document published after the international filing date or priority date and not in conflict with the application but cited to understand the principle or theory underlying the invention
"A" document defining the general state of the art which is not considered to be of particular relevance	"X"	document of particular relevance; the claimed invention cannot be considered novel or cannot be considered to involve an inventive step when the document is taken alone
"E" earlier application or patent published on or after the international filing date	"Y"	document of particular relevance; the claimed invention cannot be considered to involve an inventive step when the document is combined with one or more other such documents, such combination being obvious to a person skilled in the art
"L" document which may throw doubts on priority claim(s) or which is cited to establish the publication date of another citation or other special reason (as specified)	"&"	document member of the same patent family
"O" document referring to an oral disclosure, use, exhibition or other means		
"P" document published prior to the international filing date but later than the priority date claimed		

Date of the actual completion of the international search 27 September 2005 (27.09.2005)	Date of mailing of the international search report 03 NOV 2005
---	--

Name and mailing address of the ISA/US Mail Stop PCT, Attn: ISA/US Commissioner for Patents P.O. Box 1450 Alexandria, Virginia 22313-1450 Facsimile No. (703) 305-3230	Authorized officer <i>B. Soderquist</i> Arlén Soderquist Telephone No. (571) 272-1700
---	--

INTERNATIONAL SEARCH REPORTInternational application No.
PCT/US04/30082**C. (Continuation) DOCUMENTS CONSIDERED TO BE RELEVANT**

Category *	Citation of document, with indication, where appropriate, of the relevant passages	Relevant to claim No.
Y	US 6,141,602 A (IGARASHI et al) 31 October 2000, see entire document.	1-9
A	US 4,874,936 A (CHANDLER et al) 17 October 1989.	1-9
A	US 5,902,982 (LAPPE) 11 May 1999.	1-9
A	US 5,920,062 A (WILLIAMS) 06 July 1999.	1-9
A	US 6,098,892 A (PEOPLES, JR.) 08 August 2000.	1-9

INTERNATIONAL SEARCH REPORT

International application No.

PCT/US04/30082

Continuation of B. FIELDS SEARCHED Item 3:

EAST Search in USPAT file

search terms: indicia, symbol, barcode, bar code, machine, reader, analyzer, device, instrument, monitor, electrode, microelectrode, calibrat\$