



US0D1058504S

(12) **United States Design Patent**
Fang

(10) **Patent No.:** **US D1,058,504 S**

(45) **Date of Patent:** **** Jan. 21, 2025**

(54) **MAGNETIC WIRELESS CHARGER**

(71) Applicant: **Zimei Fang**, Shenzhen (CN)

(72) Inventor: **Zimei Fang**, Shenzhen (CN)

(**) Term: **15 Years**

(21) Appl. No.: **29/965,322**

(22) Filed: **Sep. 27, 2024**

(51) **LOC (15) Cl.** **13-02**

(52) **U.S. Cl.**

USPC **D13/108**; D13/107

(58) **Field of Classification Search**

USPC D13/107-108; D14/434, 447

CPC H02J 7/0042; H02J 7/0044; H02J 7/0048;

H02J 7/02; H02J 7/342; H02J 50/005;

H02J 50/10; H02J 50/90; H02J 50/402

See application file for complete search history.

(56) **References Cited**

U.S. PATENT DOCUMENTS

D960,094 S *	8/2022	Jiang	D13/108
D967,761 S	10/2022	Yu		
D967,766 S *	10/2022	Wang	D13/108
D968,328 S	11/2022	Liu		
D976,825 S *	1/2023	Peng	D13/108
D985,492 S	5/2023	Huang		
D1,008,177 S *	12/2023	Mori	D13/108
D1,017,541 S *	3/2024	Zhai	D13/108
D1,024,948 S *	4/2024	Shang	D13/108
D1,025,907 S *	5/2024	Liu	D13/108
D1,040,756 S *	9/2024	Ren	D13/108
D1,043,568 S *	9/2024	Wang	D13/108
D1,049,038 S *	10/2024	Yang	D13/108
2015/0188356 A1 *	7/2015	Chen	H02J 7/0044 320/108
2017/0093200 A1 *	3/2017	Green	H02J 7/0044
2022/0393498 A1 *	12/2022	Zhu	H02J 7/0044

OTHER PUBLICATIONS

Anker, Date: Jul. 29, 2024, [online], [site visited Oct. 31, 2024]. Available from internet, URL: <https://www.amazon.com/dp/B0D2NSPC39/?th=1> (Year: 2024).*

Quotoo, Date: Aug. 16, 2024, [online], [site visited Oct. 31, 2024]. Available from internet, URL: <https://www.amazon.com/dp/B0D128SS7R/> (Year: 2024).*

Aeinidi, Date: May 30, 2024, [online], [site visited Oct. 31, 2024]. Available from internet, URL: <https://www.amazon.com/Wireless-Charging-Multiple-Aeinidi-Mag-Safe/dp/B0C23NJKX1?th=1> (Year: 2024).*

* cited by examiner

Primary Examiner — Rhea Shields

Assistant Examiner — Bryan N. Melvin

(74) *Attorney, Agent, or Firm* — Hemisphere Law, PLLC; Zhigang Ma

(57) **CLAIM**

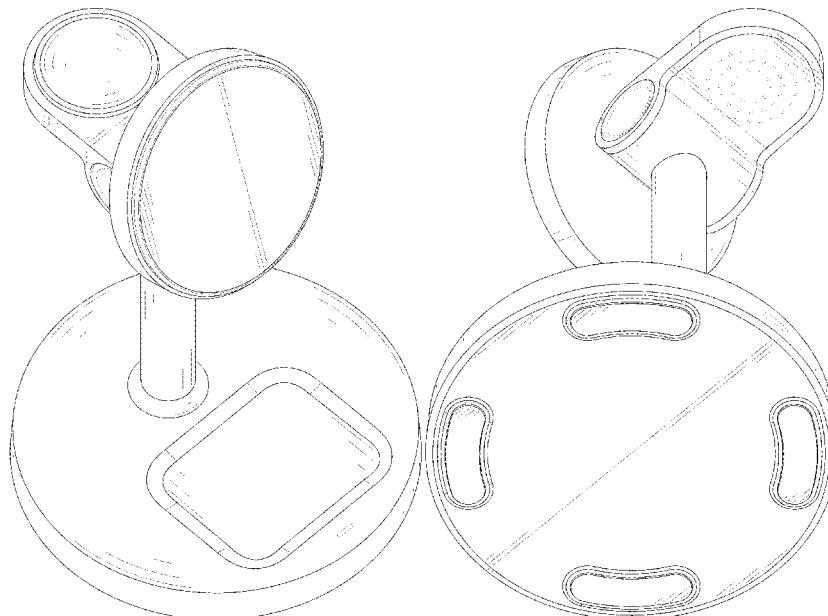
The ornamental design for a magnetic wireless charger, as shown and described.

DESCRIPTION

FIG. 1 is a first perspective view of a magnetic wireless charger showing my new design; FIG. 2 is a second perspective view thereof; FIG. 3 is a front view thereof; FIG. 4 is a back view thereof; FIG. 5 is a left side view thereof; FIG. 6 is a right side view thereof; FIG. 7 is a top view thereof; and, FIG. 8 is a bottom view thereof.

The broken lines shown in the drawings depict portions of the magnetic wireless charger that form no part of the claimed design.

1 Claim, 8 Drawing Sheets



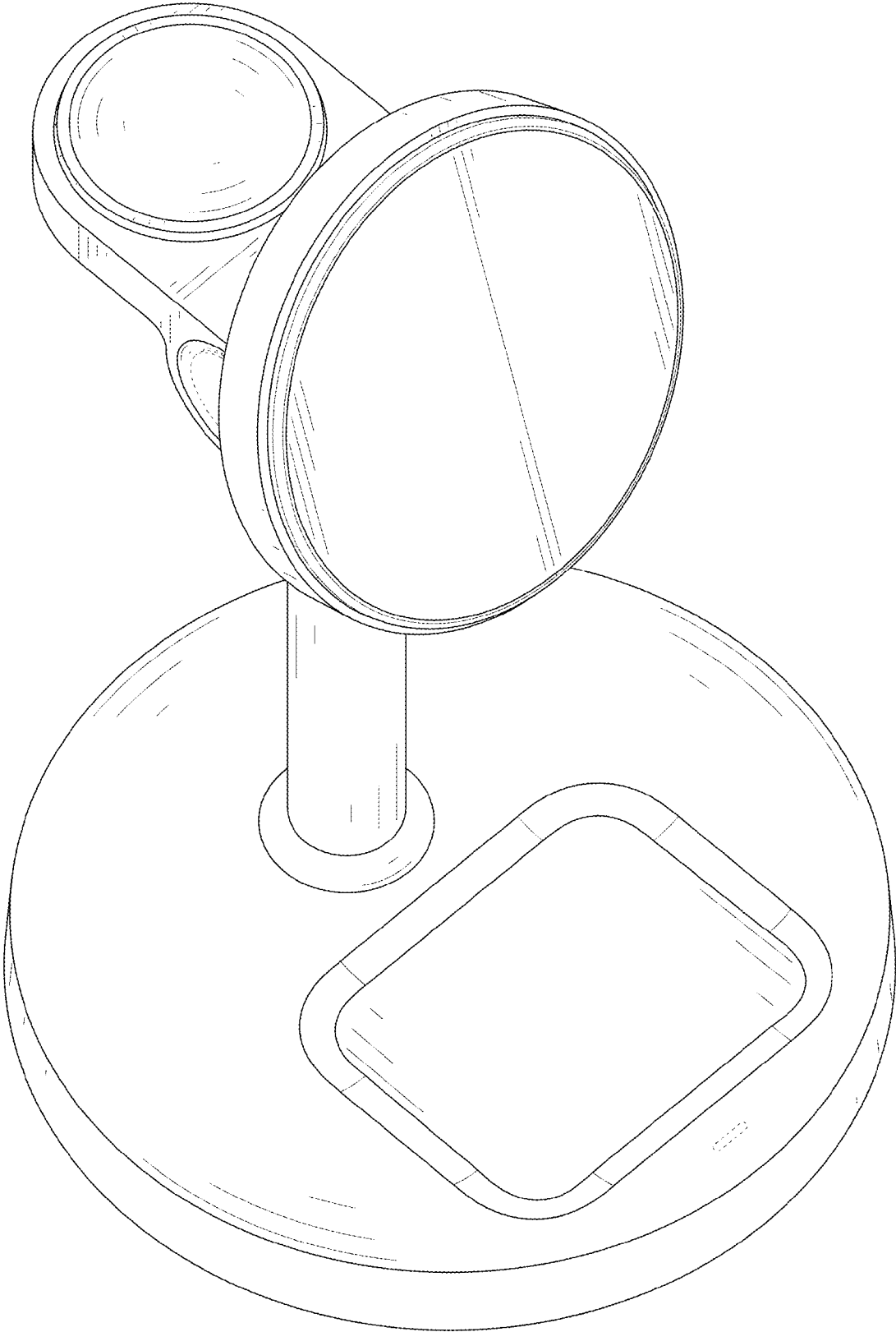


FIG. 1

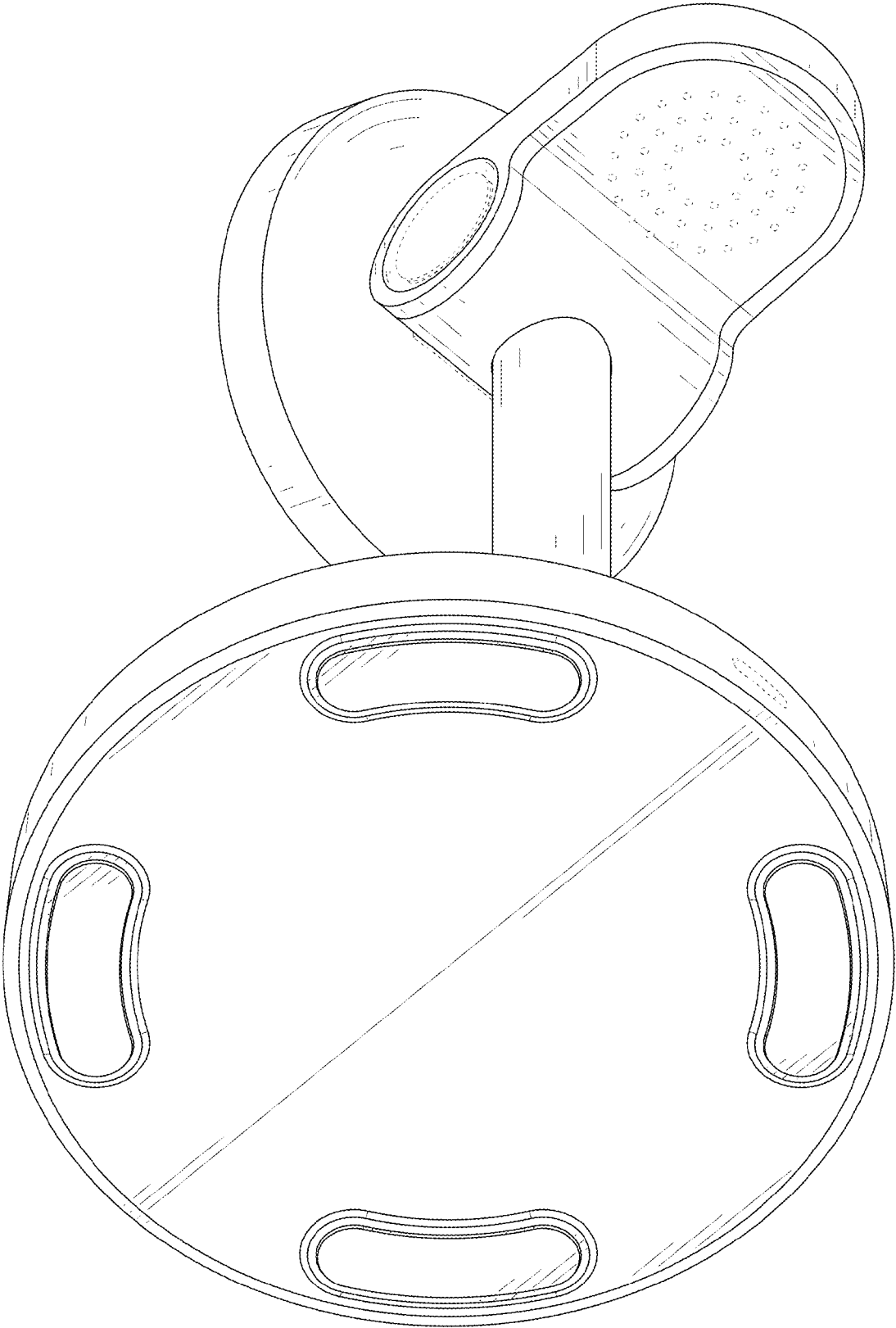


FIG. 2

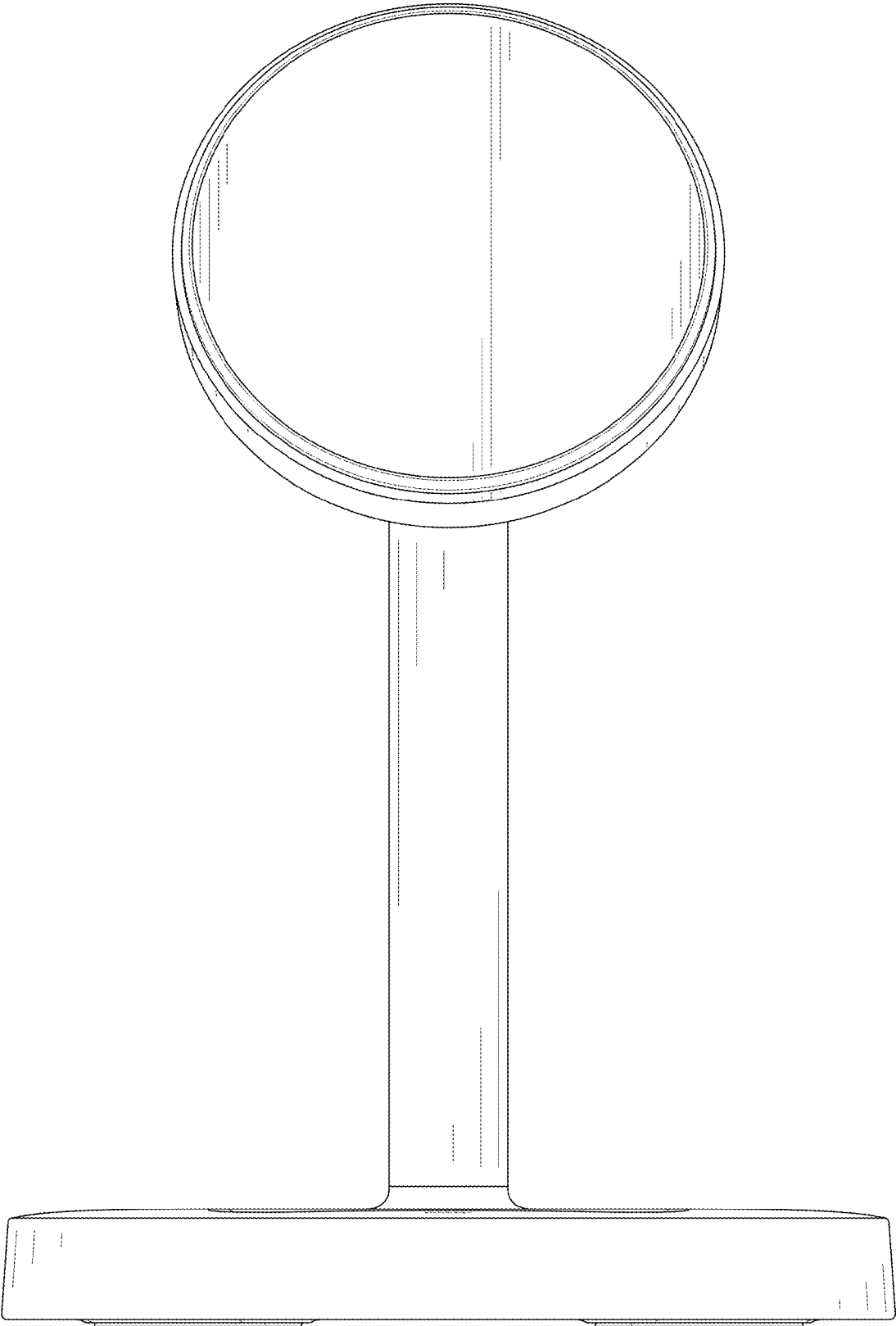


FIG. 3

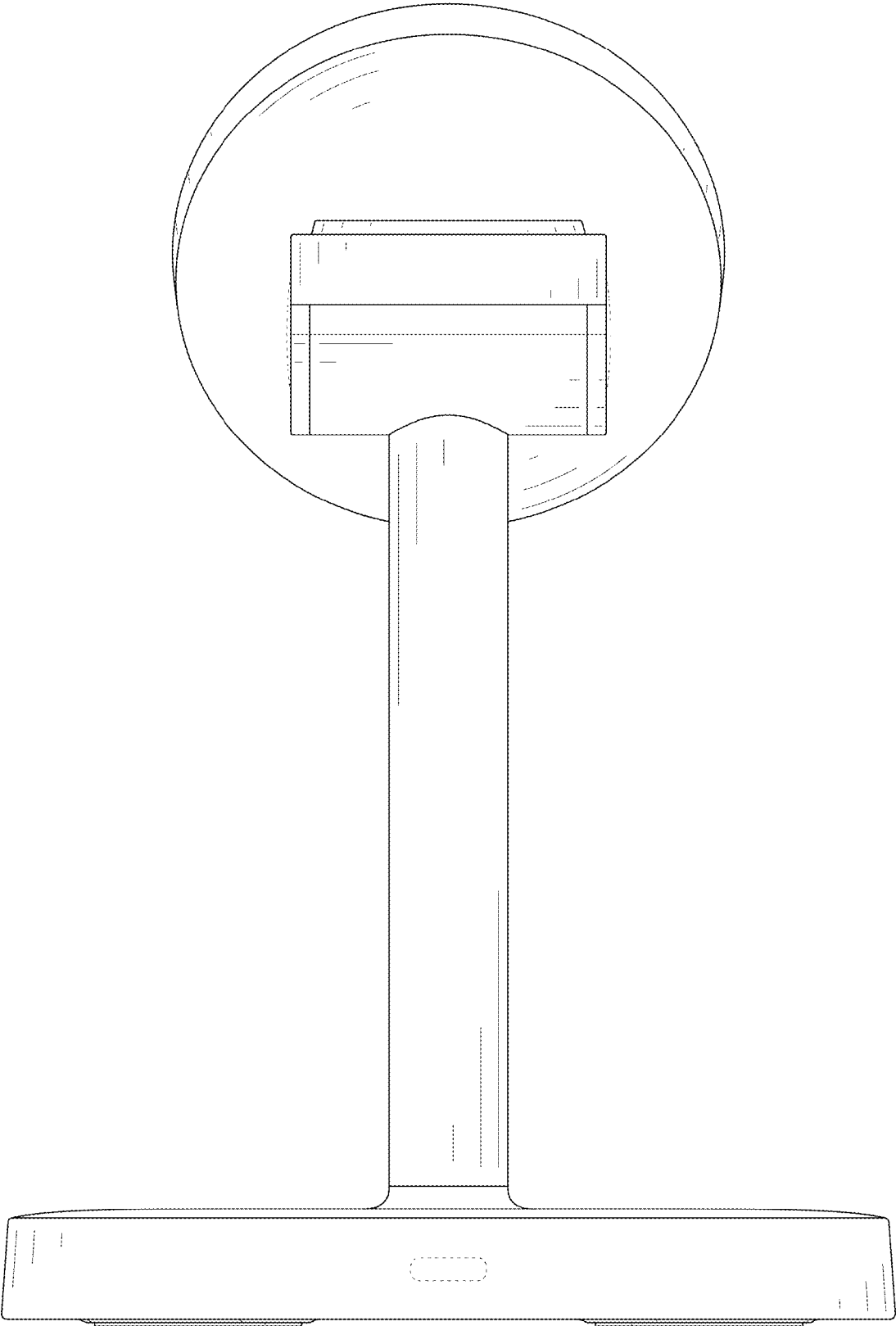


FIG. 4

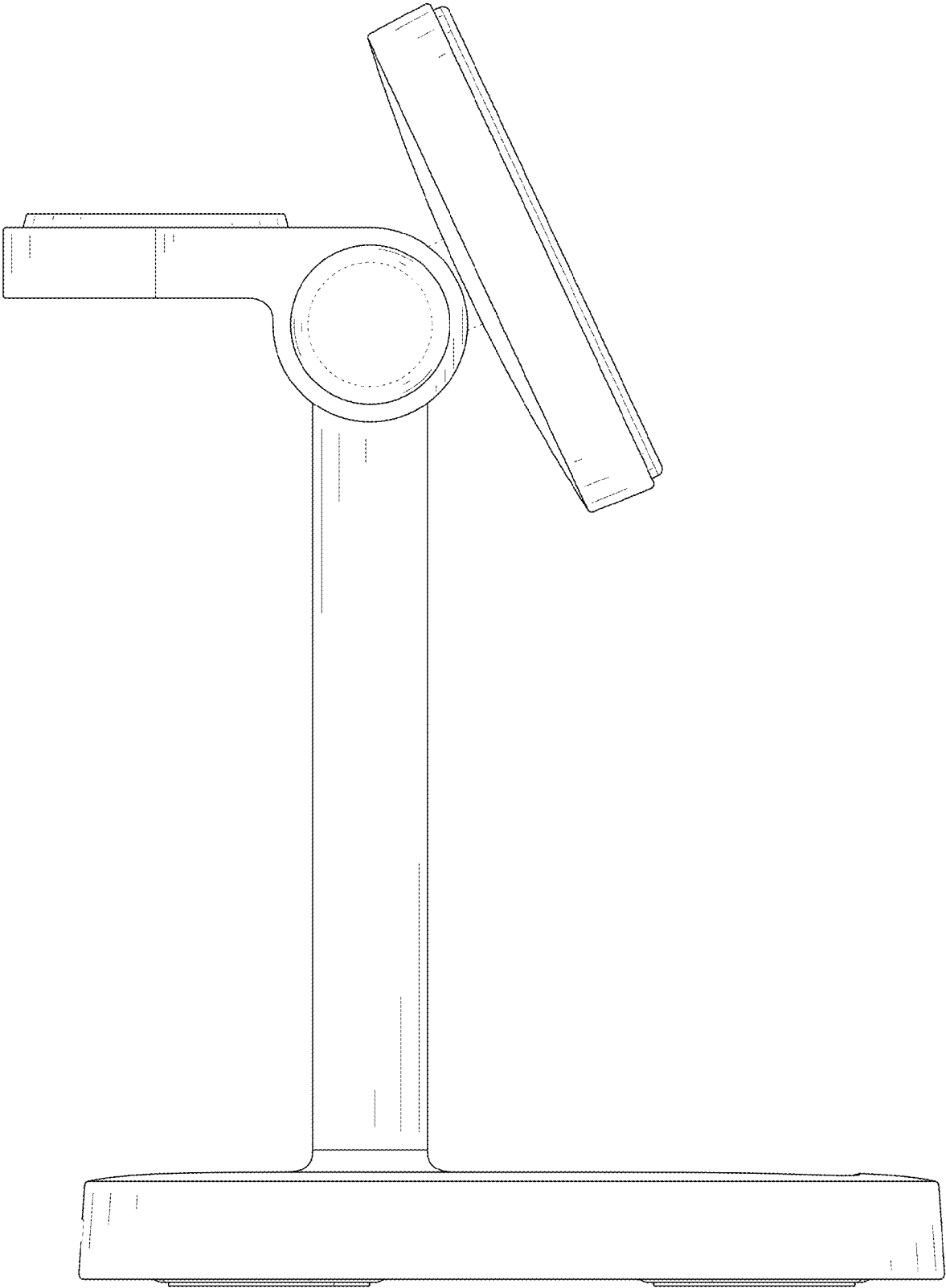


FIG. 5

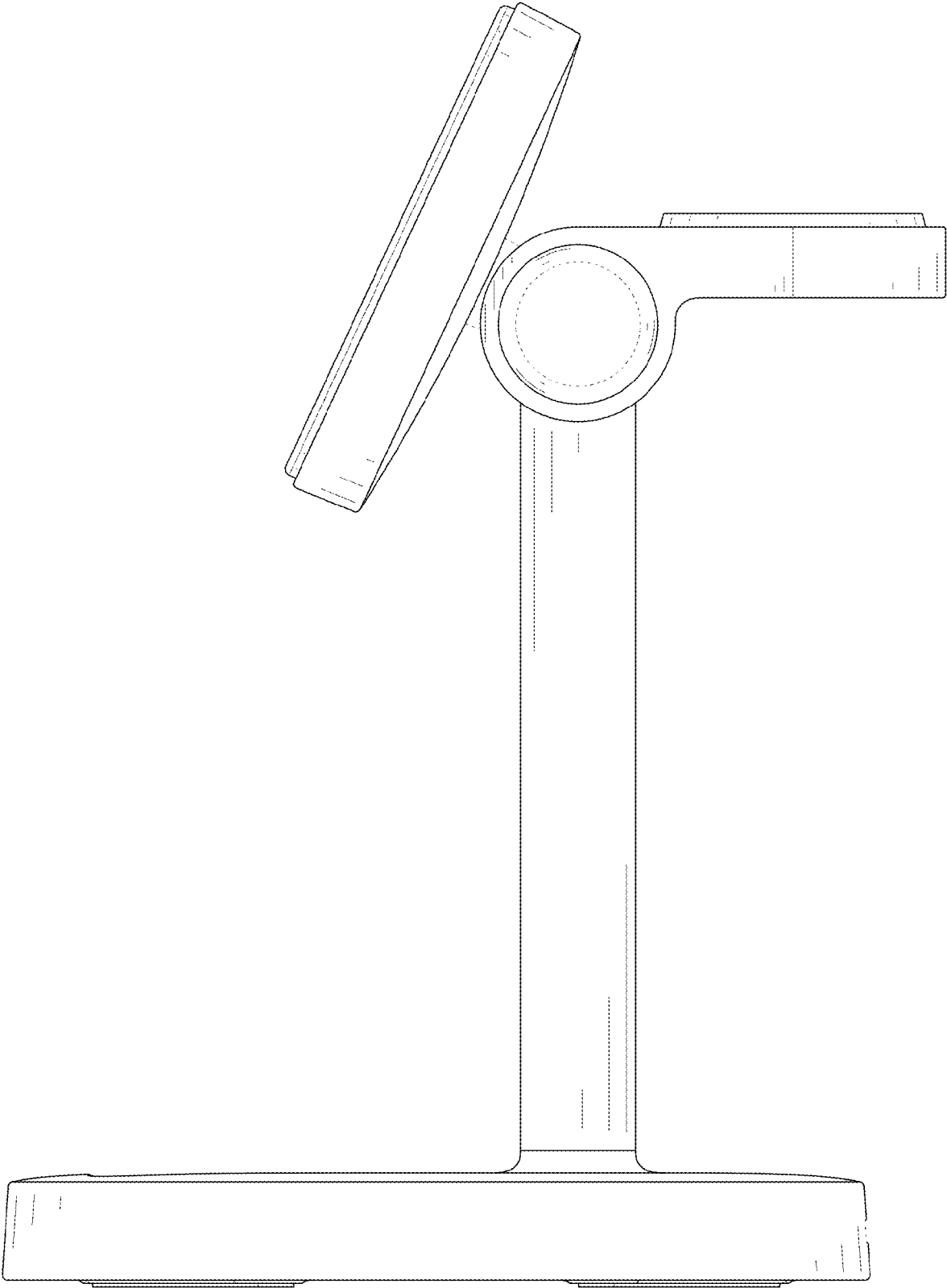


FIG. 6

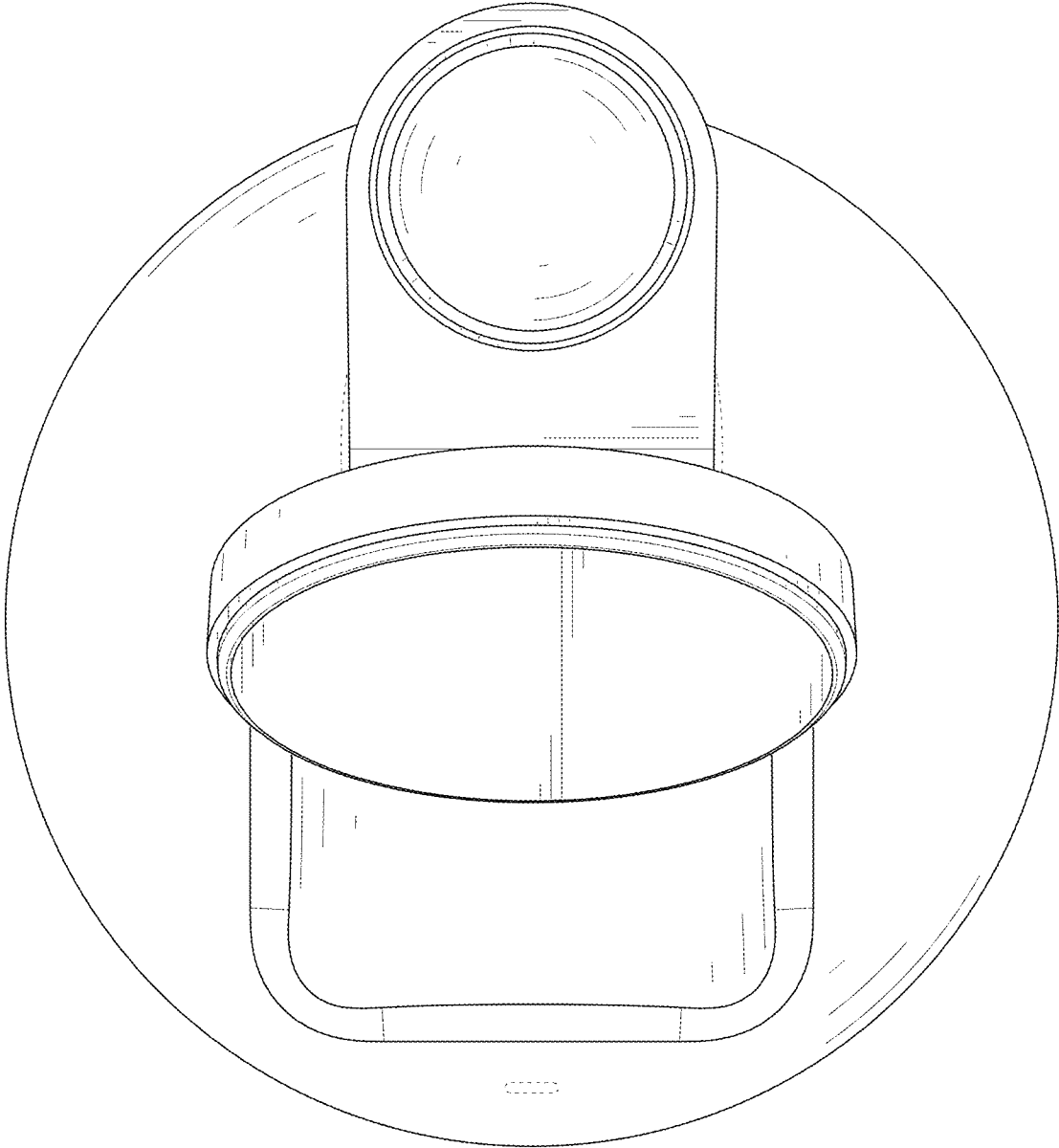


FIG. 7

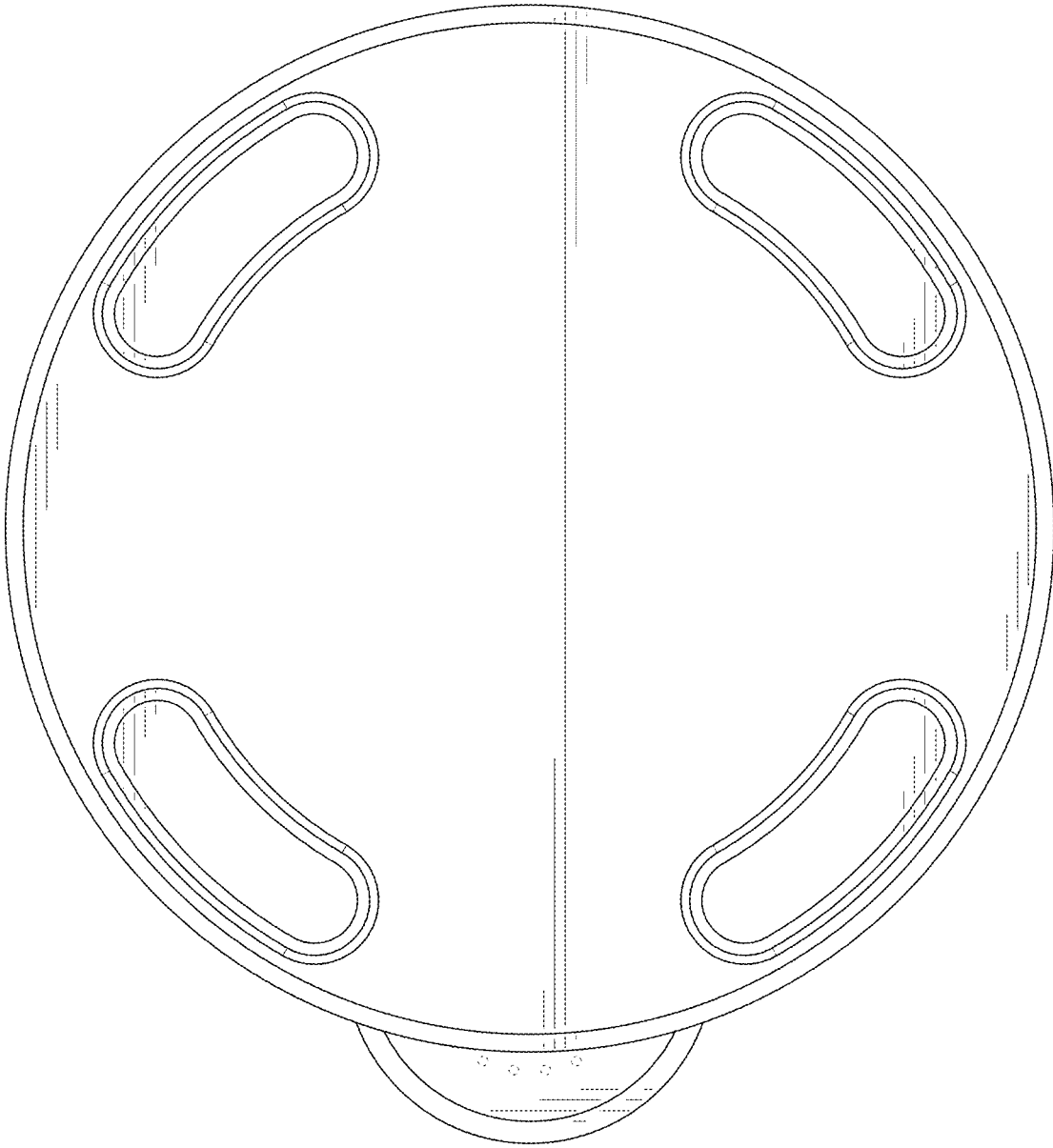


FIG. 8