

(12) INTERNATIONAL APPLICATION PUBLISHED UNDER THE PATENT COOPERATION TREATY (PCT)

(19) World Intellectual Property Organization
International Bureau



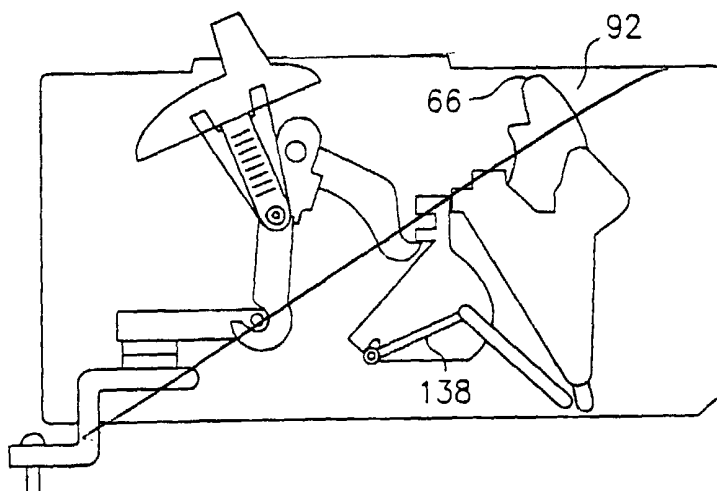
(43) International Publication Date
20 September 2001 (20.09.2001)

PCT

(10) International Publication Number
WO 01/69633 A3

- (51) International Patent Classification⁷: **H01H 71/50** Hunters Ridge Drive, Plainville, CT 06062 (US). **NAREN-
DER, Macha**; 126 New Britain Avenue, Plainville, CT
06062 (US).
- (21) International Application Number: PCT/US01/08185
- (22) International Filing Date: 13 March 2001 (13.03.2001) (74) Agent: **CHASKIN, Jay, L.**; General Electric Company,
3135 Easton Turnpike W3C, Fairfield, CT 06431 (US).
- (25) Filing Language: English (81) Designated States (*national*): CN, MX, PL.
- (26) Publication Language: English (84) Designated States (*regional*): European patent (AT, BE,
CH, CY, DE, DK, ES, FI, FR, GB, GR, IE, IT, LU, MC,
NL, PT, SE, TR).
- (30) Priority Data: 09/525,847 15 March 2000 (15.03.2000) US **Published:**
— with international search report
- (71) Applicant: **GENERAL ELECTRIC COMPANY** (88) Date of publication of the international search report:
[US/US]; 1 River Road, Schenectady, NY 12345 (US). 31 January 2002
- (72) Inventors: **CIARCIA, Ronald**; 5 Mano Lane, Bristol, CT 06010 (US). **SCHLITZ, Lei, Zhang**; 74 Miller Road,
Burlington, CT 06013 (US). **DIVINCENZO, Gregory**; 89 *For two-letter codes and other abbreviations, refer to the "Guid-
ance Notes on Codes and Abbreviations" appearing at the begin-
ning of each regular issue of the PCT Gazette.*

(54) Title: CIRCUIT BREAKER LATCH MECHANISM WITH DECREASED TRIP TIME



(57) Abstract: A decreased mechanical trip time latching system for use in a molded case circuit breaker assembly. The latching system comprising a quick release primary latch having a first primary latching surface and a second primary latching surface. Where the second primary latching surface engages a first secondary latching surface located on an interactive secondary latch, to prevent the rotation of the quick release primary latch. The first primary latching surface engages a cradle latching surface, located on a cradle, to prevent the rotation of the cradle. Assembled to the interactive secondary latch is a trip bar. Activation of the trip bar rotates the secondary latch so that the first

secondary latching surface moves out of contact with the second primary latching surface just prior to the interactive secondary latch making physical contact with the quick release primary latch. The quick release primary latch then rotates moving the first primary latching surface out of contact with the cradle latching surface thereby releasing the cradle. The cradle rotates and the operating system is activated to terminate current flow.



WO 01/69633 A3

INTERNATIONAL SEARCH REPORT

International Application No

PCT/US 01/08185

A. CLASSIFICATION OF SUBJECT MATTER

IPC 7 H01H71/50

According to International Patent Classification (IPC) or to both national classification and IPC

B. FIELDS SEARCHED

Minimum documentation searched (classification system followed by classification symbols)

IPC 7 H01H

Documentation searched other than minimum documentation to the extent that such documents are included in the fields searched

Electronic data base consulted during the international search (name of data base and, where practical, search terms used)

EPO-Internal

C. DOCUMENTS CONSIDERED TO BE RELEVANT

Category °	Citation of document, with indication, where appropriate, of the relevant passages	Relevant to claim No.
A	US 4 622 530 A (BERNIER RICHARD E ET AL) 11 November 1986 (1986-11-11) abstract -----	1

Further documents are listed in the continuation of box C.

Patent family members are listed in annex.

° Special categories of cited documents :

- *A* document defining the general state of the art which is not considered to be of particular relevance
- *E* earlier document but published on or after the international filing date
- *L* document which may throw doubts on priority claim(s) or which is cited to establish the publication date of another citation or other special reason (as specified)
- *O* document referring to an oral disclosure, use, exhibition or other means
- *P* document published prior to the international filing date but later than the priority date claimed

- *T* later document published after the international filing date or priority date and not in conflict with the application but cited to understand the principle or theory underlying the invention
- *X* document of particular relevance; the claimed invention cannot be considered novel or cannot be considered to involve an inventive step when the document is taken alone
- *Y* document of particular relevance; the claimed invention cannot be considered to involve an inventive step when the document is combined with one or more other such documents, such combination being obvious to a person skilled in the art.
- * & * document member of the same patent family

Date of the actual completion of the international search

24 September 2001

Date of mailing of the international search report

01/10/2001

Name and mailing address of the ISA

European Patent Office, P.B. 5818 Patentlaan 2
NL - 2280 HV Rijswijk
Tel. (+31-70) 340-2040. Tx. 31 651 epo nl,
Fax: (+31-70) 340-3016

Authorized officer

Libberecht, L

INTERNATIONAL SEARCH REPORT

Information on patent family members

International Application No

PCT/US 01/08185

Patent document cited in search report	Publication date	Patent family member(s)	Publication date	
US 4622530	A	11-11-1986	BR 8600504 A	30-12-1986
			US 4698903 A	13-10-1987
			CA 1245698 A1	29-11-1988
