



US0D1027762S

(12) **United States Design Patent** (10) **Patent No.:** **US D1,027,762 S**
Kaoud et al. (45) **Date of Patent:** **** May 21, 2024**

(54) **VEHICLE TAILGATE HANDLE APPLIQUE**

OTHER PUBLICATIONS

- (71) Applicant: **Ford Global Technologies, LLC**, Dearborn, MI (US)
- (72) Inventors: **Ehab Kaoud**, Livonia, MI (US); **William K. Moore**, West Bloomfield, MI (US); **Richard L. Howard**, Brighton, MI (US)
- (73) Assignee: **Ford Global Technologies, LLC**, Dearborn, MI (US)
- (**) Term: **15 Years**

Trim Panels. (Design—© Questel) orbit.com. [Online PDF compilation of references] 40 pgs. Print Dates Range Mar. 30, 2023-Nov. 19, 2019 [Retrieved Aug. 29, 2023].*

Outer Tailgate Panel. 2023. Ford Parts. <https://parts.ford.com/shop/en/us/accessories/other-accessories/outer-tailgate-panel-13288581-1>.*

2018-Up Ford F150 Chrome Tailgate Trim. 2018. Ron USA. <https://ronusa.com/products/ford-f150-tailgate-trim-6>.*

Ford F150 Styleside Tailgate Plain Molding. 2004. Amazon. <https://www.amazon.com/Works-04-2014-Tailgate-Molding-Accent/dp/B00CO8547A>.*

* cited by examiner

- (21) Appl. No.: **29/782,433**
- (22) Filed: **May 6, 2021**
- (51) **LOC (14) Cl.** **12-16**
- (52) **U.S. Cl.**
- USPC **D12/196**
- (58) **Field of Classification Search**
- USPC D12/90, 91, 92, 190, 192, 197, 199, 400
- CPC B60R 14/043; B60R 2013/0293; B60R 13/02; B60R 13/04
- See application file for complete search history.

Primary Examiner — George D. Kirschbaum
Assistant Examiner — Suzanne E Tisdell
 (74) *Attorney, Agent, or Firm* — Dykema Gossett PLLC

(56) **References Cited**

U.S. PATENT DOCUMENTS

D472,505 S *	4/2003	Hurayt	D12/190
D678,145 S *	3/2013	Behmer	D12/169
D692,814 S *	11/2013	Platto	D12/190
D761,175 S *	7/2016	Stoynov	D12/190
D771,536 S *	11/2016	Wolff	D12/169
D828,258 S *	9/2018	Zipfel	D12/190
D832,168 S *	10/2018	Platto	D12/190
D867,947 S *	11/2019	Park Cheng	D12/190
D888,631 S *	6/2020	Battams	D12/190
D906,914 S *	1/2021	Duncan	D12/190
D953,225 S *	5/2022	Siakos	D12/190
D955,309 S *	6/2022	Kaoud	D12/190
D955,310 S *	6/2022	Kaoud	D12/190

(57) **CLAIM**

The ornamental design for a vehicle tailgate handle applique, as shown and described.

DESCRIPTION

FIG. 1 is a front elevational view of a vehicle tailgate handle applique showing our new design;

FIG. 2 is a left side elevational view thereof;

FIG. 3 is a right side elevational view thereof;

FIG. 4 is a top plan view thereof;

FIG. 5 is a bottom plan view thereof;

FIG. 6 is a bottom, front and left side perspective view thereof; and,

FIG. 7 is a top, front and left side perspective view thereof. Portions of the vehicle tailgate handle applique surrounded by broken lines and shown in half-tone shading form no part of the claimed design.

1 Claim, 7 Drawing Sheets



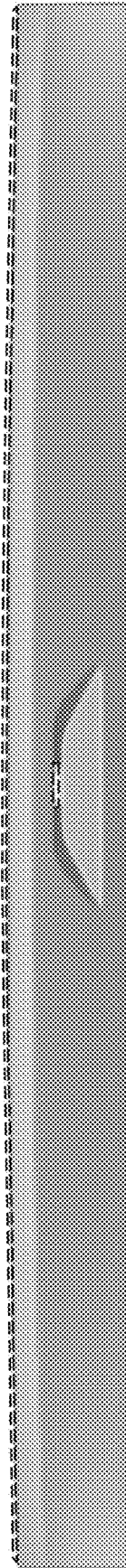


Fig. 1



Fig. 2

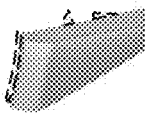


Fig. 3



Fig. 4

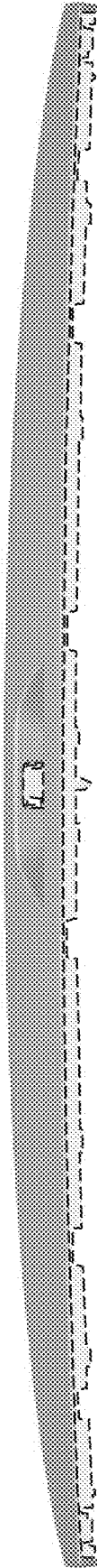


Fig. 5

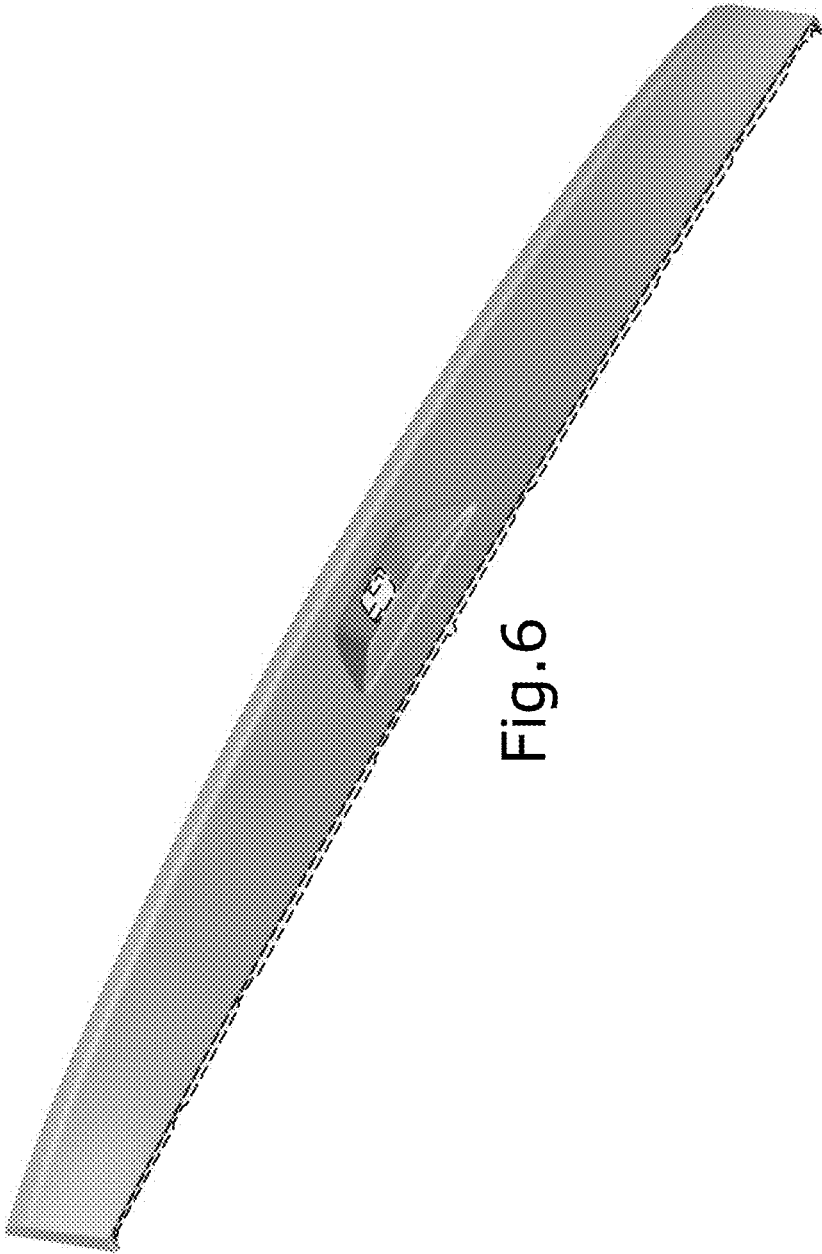


Fig. 6

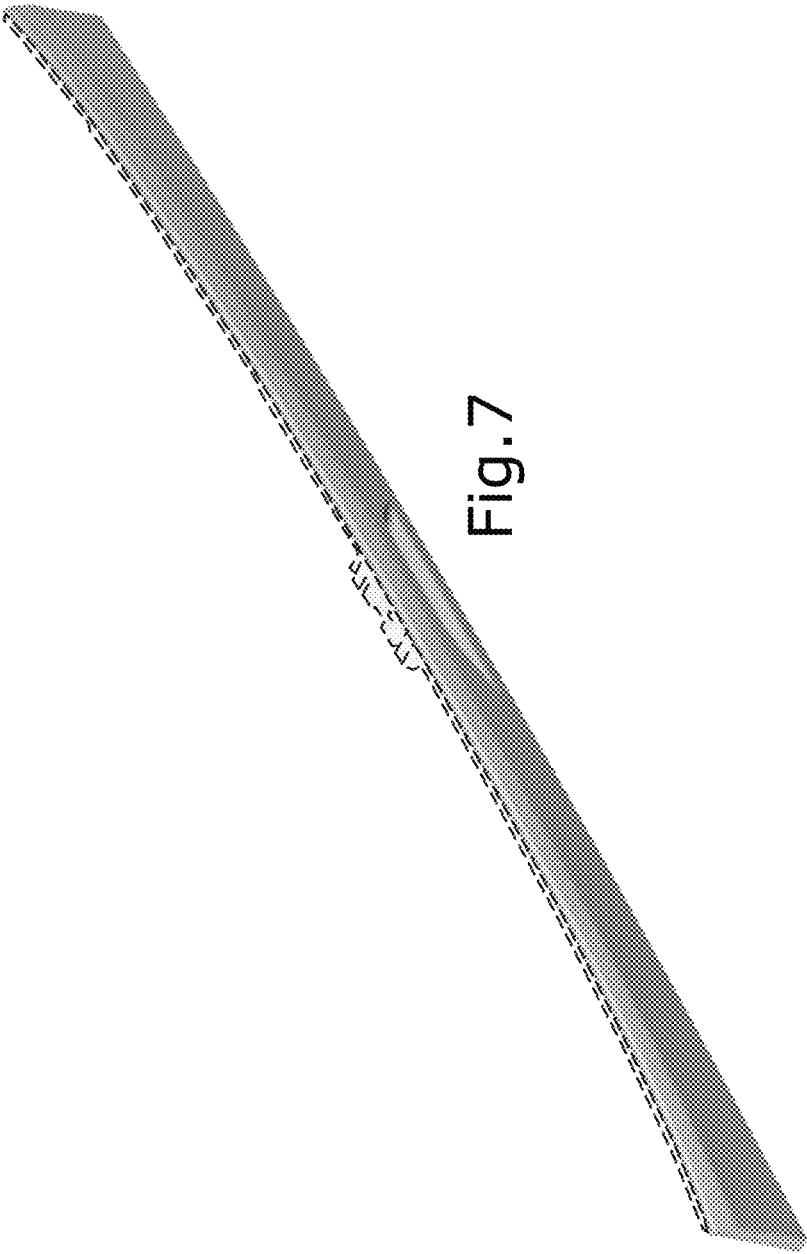


Fig. 7