



US00D491265S

(12) **United States Design Patent**  
**Schweikert**

(10) **Patent No.:** **US D491,265 S**

(45) **Date of Patent:** **\*\* Jun. 8, 2004**

(54) **CATHETER INFORMATION RING**

(75) **Inventor:** **Timothy Schweikert, Levittown, PA (US)**

(73) **Assignee:** **Medical Components, Inc., Harleysville, PA (US)**

(\*\*) **Term:** **14 Years**

(21) **Appl. No.:** **29/187,323**

(22) **Filed:** **Jul. 30, 2003**

**Related U.S. Application Data**

(62) **Division of application No. 29/168,639, filed on Oct. 4, 2002.**

(51) **LOC (7) Cl. .... 24-02**

(52) **U.S. Cl. .... D24/128**

(58) **Field of Search .... D24/129, 127, D24/128, 133, 143; D20/22; 40/299.01, 666, 316**

(56) **References Cited**

**U.S. PATENT DOCUMENTS**

5,203,056 A 4/1993 Funk et al.

D381,367 S \* 7/1997 Rashman ..... D20/22  
5,971,436 A \* 10/1999 Cox ..... 40/316  
5,974,708 A \* 11/1999 Webb et al. .... 40/316  
2003/0066218 A1 \* 4/2003 Schweikert ..... 40/316  
2003/0093932 A1 \* 5/2003 Battaglia ..... 40/299.01

\* cited by examiner

*Primary Examiner*—Ian Simmons

(74) *Attorney, Agent, or Firm*—Monte & McGraw, P.C.; Joseph E. Maenner

(57) **CLAIM**

The ornamental design for a catheter information ring, as shown and described.

**DESCRIPTION**

FIG. 1 is a perspective view of a catheter information ring showing my new design.

FIG. 2 is a front elevational view thereof.

FIG. 3 is a top plan view thereof.

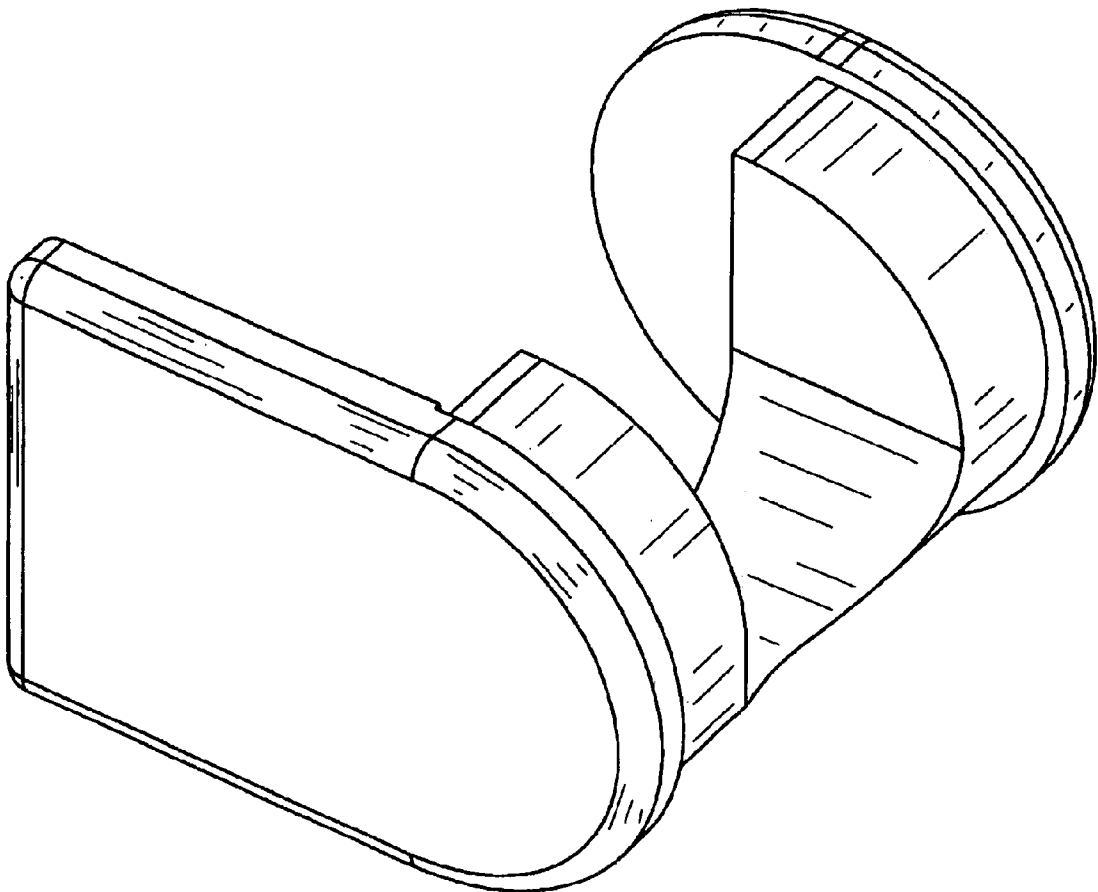
FIG. 4 is a rear elevational view thereof.

FIG. 5 is a bottom plan view thereof.

FIG. 6 is a right side elevational view thereof; and,

FIG. 7 is a left side elevational view thereof.

**1 Claim, 2 Drawing Sheets**



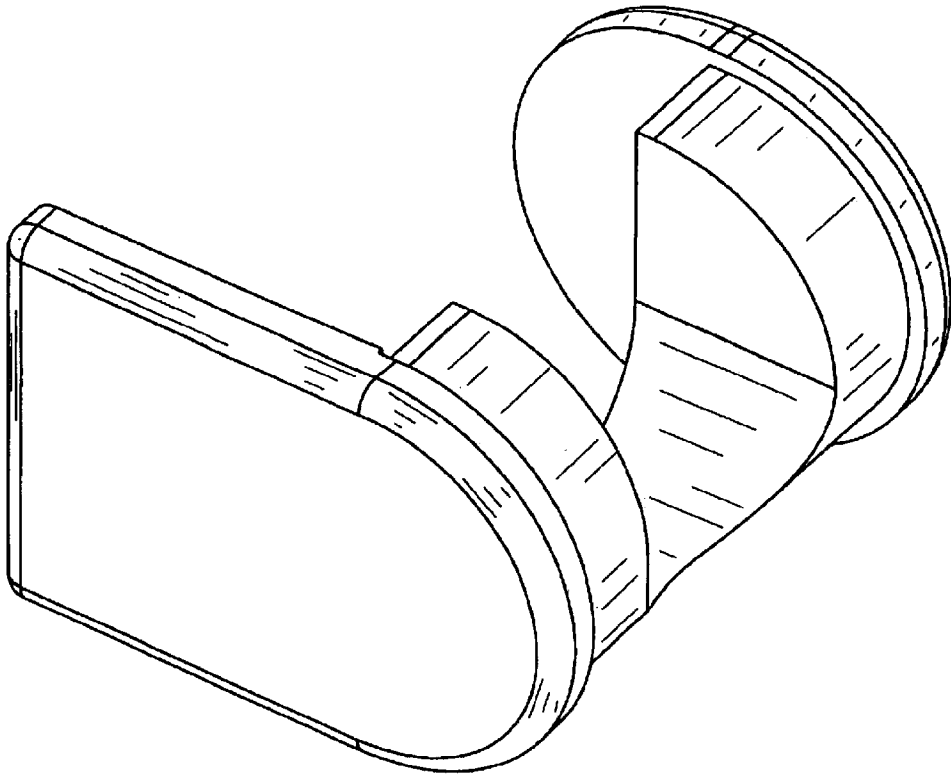


FIGURE 1

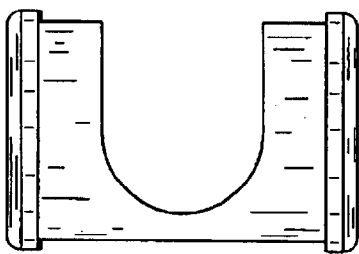


FIGURE 2

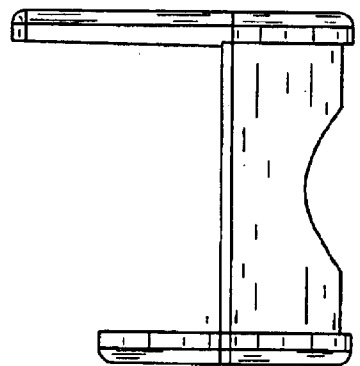


FIGURE 3

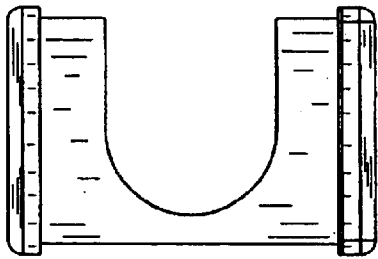


FIGURE 4

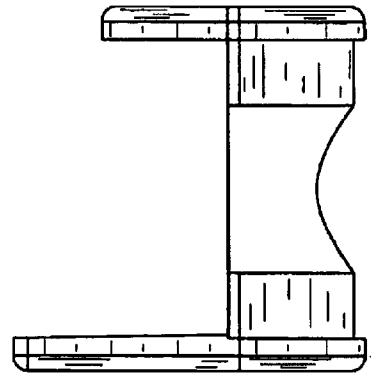


FIGURE 5

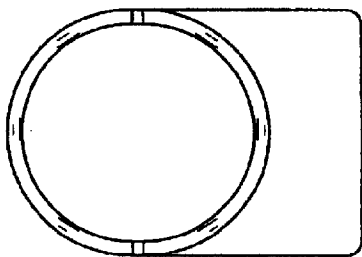


FIGURE 6

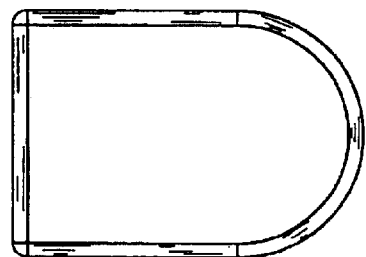


FIGURE 7