



US00D603232S

(12) **United States Design Patent**  
**Gutowski et al.**

(10) **Patent No.:** **US D603,232 S**

(45) **Date of Patent:** **\*\* Nov. 3, 2009**

(54) **RAZOR KNIFE BLADE**

(76) Inventors: **Daniel J. Gutowski**, 9753 Easton Rd.,  
Dexter, MI (US) 48130; **David E.**  
**Hyslop**, 5299 Vaughn Rd., Dexter, MI  
(US) 48130

(\*\*) Term: **14 Years**

(21) Appl. No.: **29/320,728**

(22) Filed: **Jul. 2, 2008**

(51) **LOC (9) Cl.** ..... **08-03**

(52) **U.S. Cl.** ..... **D8/20**

(58) **Field of Classification Search** ..... D8/16,  
D8/18-20, 64, 95-104; D22/117, 118; 7/118,  
7/148; 30/142, 144, 165, 166.3, 272.1, 314,  
30/320, 346, 346.5, 346.55, 346.56, 349,  
30/351, 355-357

See application file for complete search history.

(56) **References Cited**

U.S. PATENT DOCUMENTS

5,438,757	A *	8/1995	Weschenfelder	.....	30/139
5,806,189	A *	9/1998	Bailey	.....	30/125
D400,067	S *	10/1998	Gold	.....	D8/20
D422,185	S *	4/2000	Gold	.....	D8/20

D580,241	S *	11/2008	Fraga et al.	.....	D8/20
2005/0144787	A1 *	7/2005	Macri	.....	30/142
2007/0227012	A1 *	10/2007	Constantine et al.	.....	30/162
2007/0283572	A1 *	12/2007	Saiz	.....	30/272.1
2009/0106909	A1 *	4/2009	Tyers	.....	7/118

\* cited by examiner

*Primary Examiner*—Caron Veynar

*Assistant Examiner*—Garth Rademaker

(74) *Attorney, Agent, or Firm*—Steve M. Clemmons

(57) **CLAIM**

The ornamental design for a razor knife blade, as shown and described.

**DESCRIPTION**

FIG. 1 is a perspective view of a razor knife blade showing our new design;

FIG. 2 is a side view of the razor knife blade, the opposite side being a mirror image thereof;

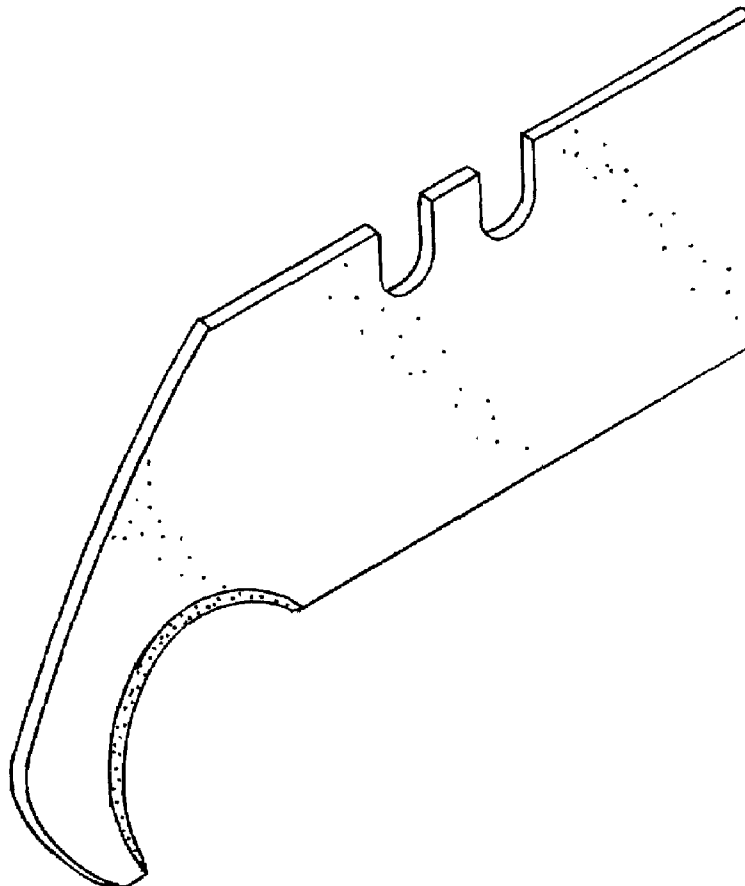
FIG. 3 is an top view of the razor knife blade;

FIG. 4 is a bottom view of the razor knife blade;

FIG. 5 is a front view of the razor knife blade; and,

FIG. 6 is a rear view of the razor knife blade.

**1 Claim, 1 Drawing Sheet**



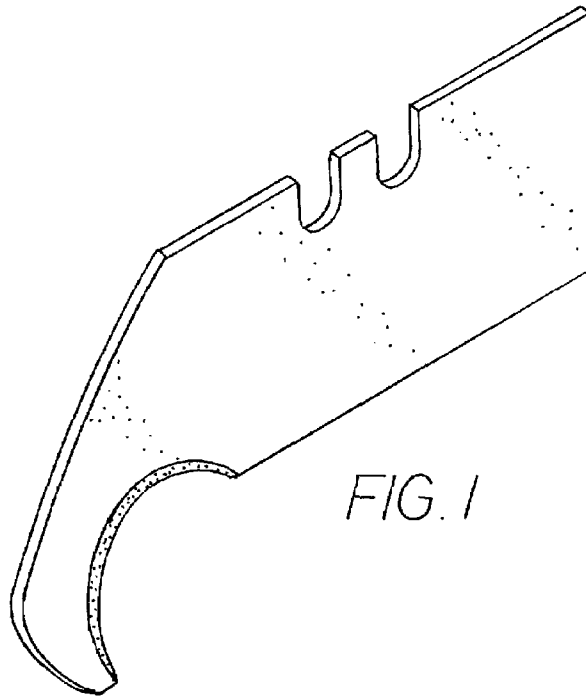


FIG. 1



FIG. 3

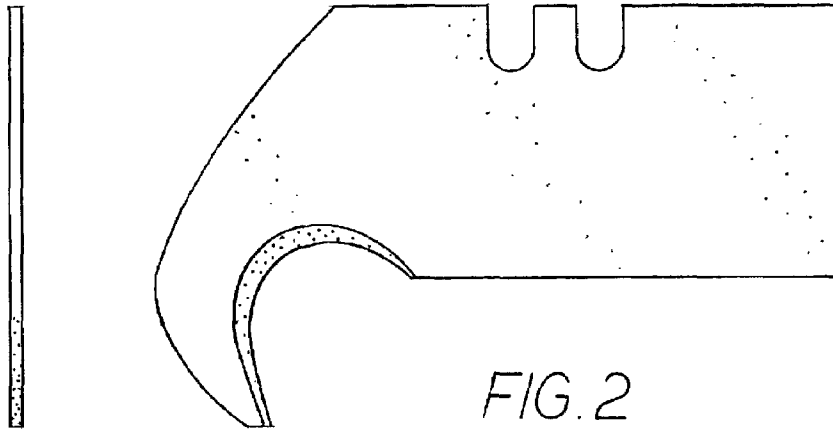


FIG. 2

FIG. 5

FIG. 6



FIG. 4