



(12) **United States Design Patent**  
**Oleson et al.**

(10) **Patent No.:** **US D810,702 S**  
(45) **Date of Patent:** **\*\* Feb. 20, 2018**

- (54) **CONTROL DEVICE**
- (71) Applicant: **DELTA T CORPORATION**,  
Lexington, KY (US)
- (72) Inventors: **Richard Oleson**, Lexington, KY (US);  
**Erik Turocy**, Columbus, OH (US)
- (73) Assignee: **DELTA T CORPORATION**,  
Lexington, KY (US)

D532,779 S \* 11/2006 Kim ..... D14/218  
 D548,702 S \* 8/2007 Girard ..... D13/162  
 7,274,117 B1 \* 9/2007 Viola ..... H01B 1/24  
 307/112  
 7,285,723 B2 \* 10/2007 Lindenstrauss ..... H02G 3/125  
 174/66  
 D557,240 S \* 12/2007 Lee ..... D14/138 AB  
 D561,113 S \* 2/2008 Samhammer ..... D13/162  
 D562,264 S \* 2/2008 Jeong ..... D13/164  
 D606,500 S \* 12/2009 Snyder ..... D13/171  
 (Continued)

(\*\*) Term: **15 Years**

**OTHER PUBLICATIONS**

(21) Appl. No.: **29/593,943**

Ryu, Hojeong (Korean Intellectual Property Office); Notification of Refusal; dated Jun. 23, 2017; Republic of Korea.

(22) Filed: **Feb. 14, 2017**

*Primary Examiner* — Selina Sikder  
(74) *Attorney, Agent, or Firm* — King & Schickli, PLLC

**Related U.S. Application Data**

(62) Division of application No. 29/537,610, filed on Aug. 27, 2015, now Pat. No. Des. 781,252.

(51) **LOC (11) Cl.** ..... **13-03**

(52) **U.S. Cl.** ..... **D13/162; D13/171**  
USPC .....

(58) **Field of Classification Search**  
USPC ..... D13/162, 164, 171, 174, 177  
CPC .. H01H 3/12; H01H 9/02; H01H 9/16; H01H 9/18; H01H 9/181; H01H 9/182; H01H 13/04; H01H 13/14; H01H 2009/187; H05B 33/0803; H05B 33/0863; H05B 37/02; H05B 37/0254; H05B 37/0272; H05B 39/02; H05B 39/04; H05B 39/085; H05B 39/086; H05B 39/088; H02G 3/14  
See application file for complete search history.

(57) **CLAIM**

The ornamental design for a control device, as shown and described.

**DESCRIPTION**

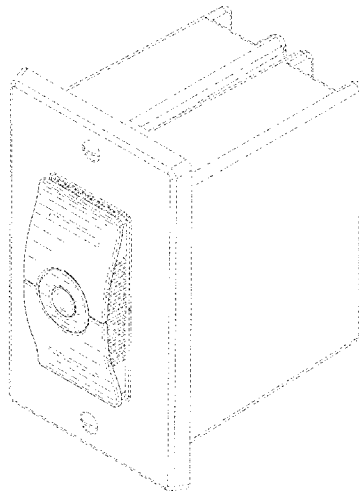
FIG. 1 is a perspective view of the invention;  
FIG. 2 is a front view of the invention;  
FIG. 3 is a right side view of the invention, the left side view being a mirror image thereof;  
FIG. 4 is a top view of the invention, the bottom view being a mirror image thereof;  
FIG. 5 is a perspective view of a second embodiment of the invention;  
FIG. 6 is a front view of the invention;  
FIG. 7 is a right side view of the invention, the left side being a mirror image thereof; and,  
FIG. 8 is a top view of the invention, the bottom view being a mirror image thereof.  
The broken line depictions form no part of the claimed design.

(56) **References Cited**

**U.S. PATENT DOCUMENTS**

D234,602 S \* 3/1975 Mellyn ..... D13/125  
 D408,821 S \* 4/1999 Takahashi ..... D14/218  
 D414,748 S \* 10/1999 Pierson ..... D13/171  
 D479,205 S \* 9/2003 Krajci ..... D13/171  
 6,989,489 B1 \* 1/2006 Savicki, Jr. .... H02G 3/14  
 174/50

**1 Claim, 8 Drawing Sheets**



(56)

**References Cited**

U.S. PATENT DOCUMENTS

D614,588	S *	4/2010	Snyder .....	D13/171
D646,280	S *	10/2011	Yano .....	D14/188
8,153,918	B2 *	4/2012	Agronin .....	H01H 3/227 200/331
D709,463	S *	7/2014	Junko .....	D13/169
D717,761	S *	11/2014	Takahata .....	D14/142
D722,981	S *	2/2015	Livschitz .....	D13/162
D733,077	S *	6/2015	Panis .....	D13/171
D736,717	S *	8/2015	Duffy .....	D13/162
9,208,965	B2 *	12/2015	Busby .....	H01H 9/287
D781,252	S *	3/2017	Oleson .....	D13/174
2013/0277191	A1 *	10/2013	Trolese .....	H05K 5/02 200/501

\* cited by examiner

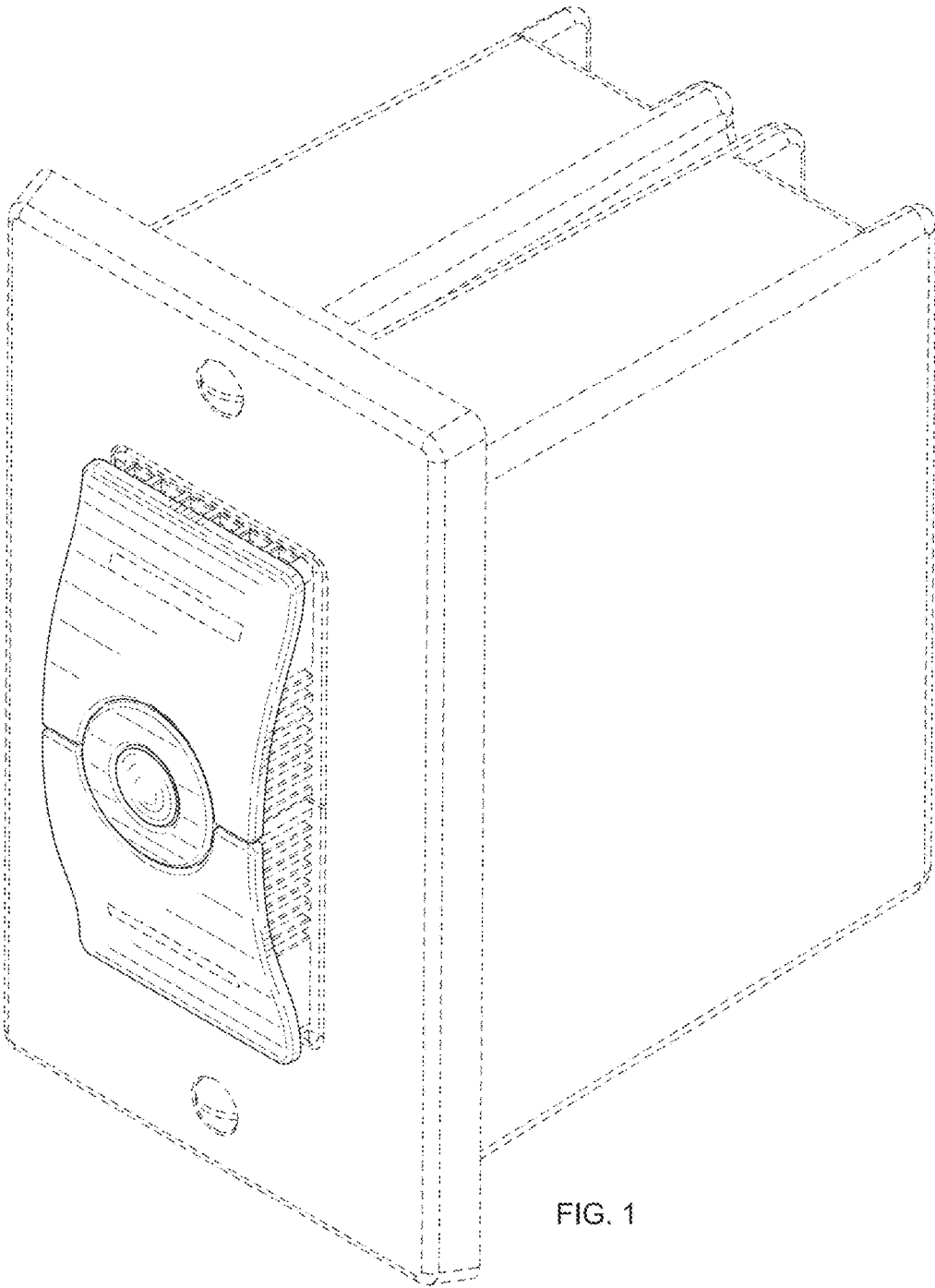


FIG. 1

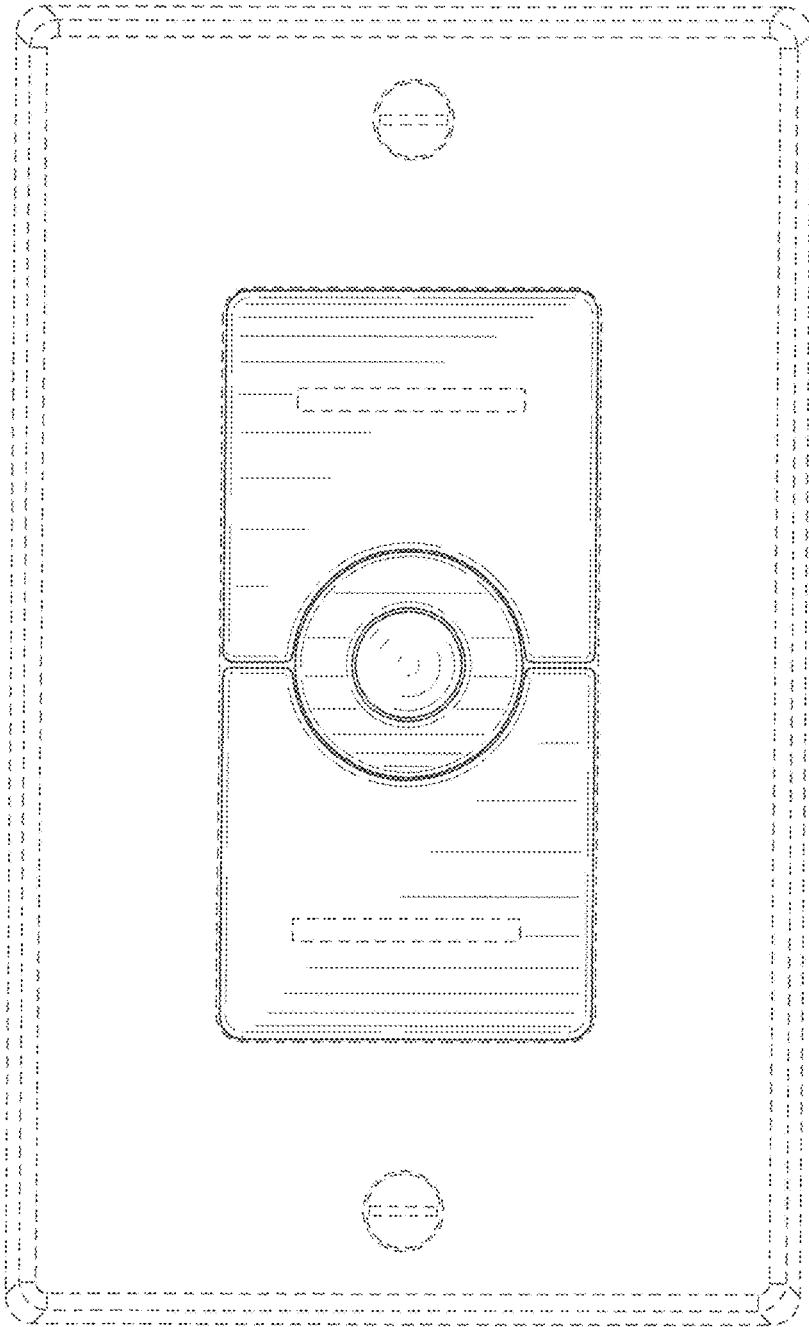


FIG. 2

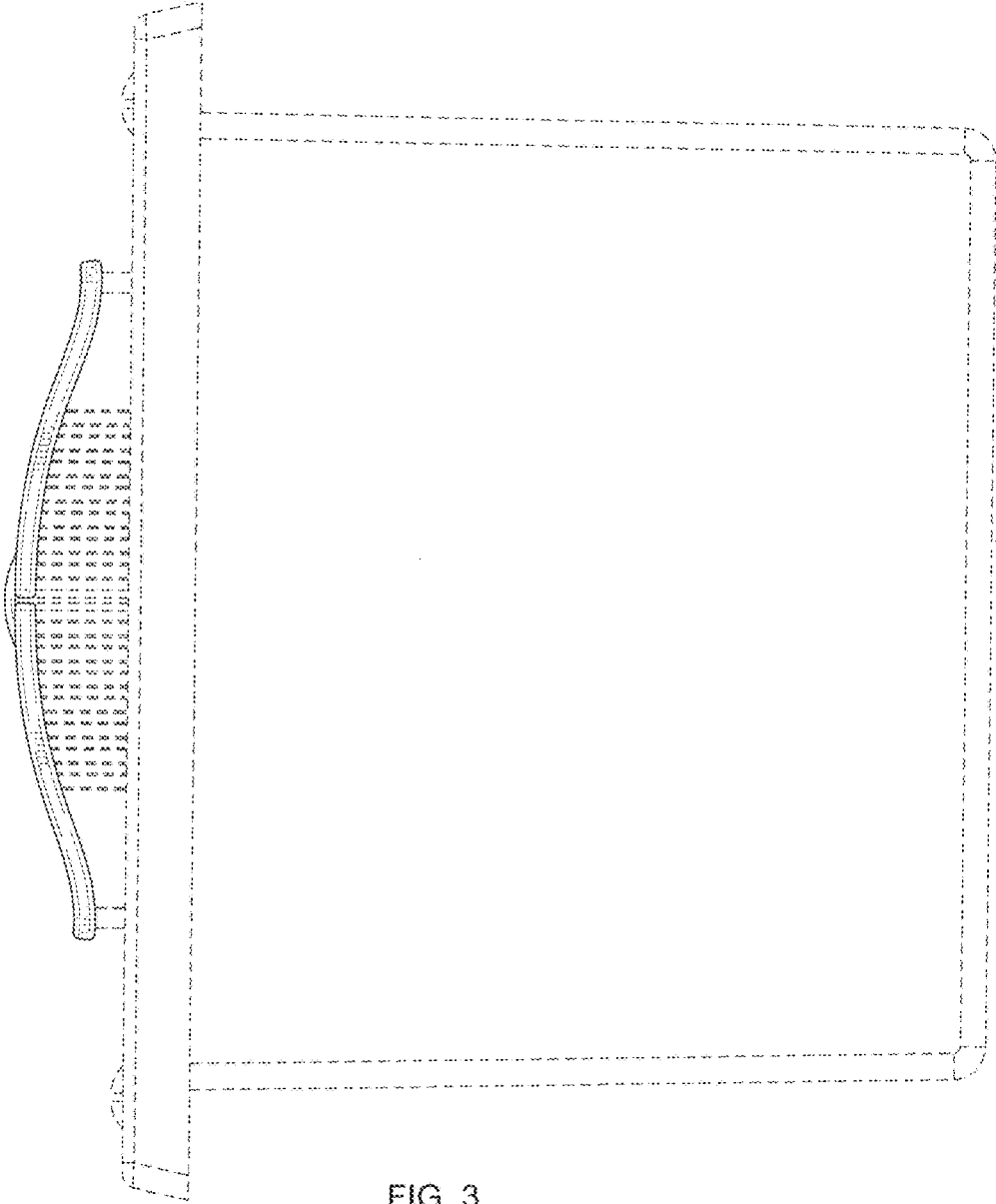


FIG. 3

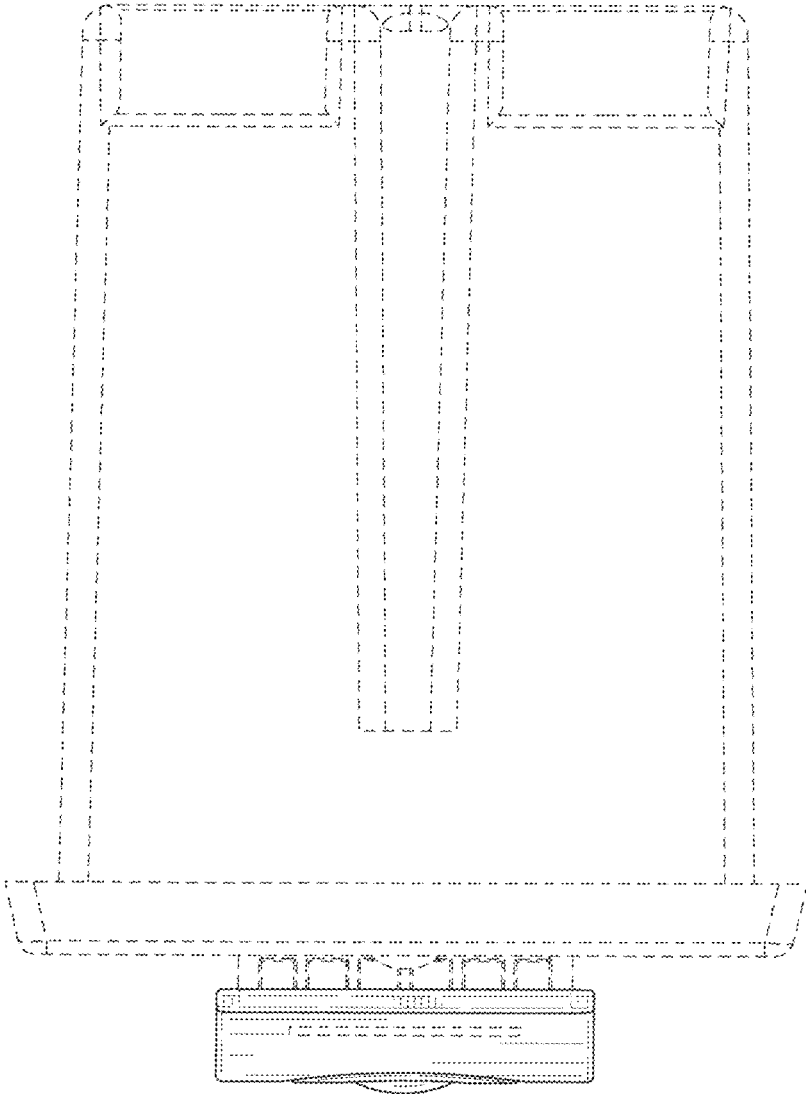


FIG. 4

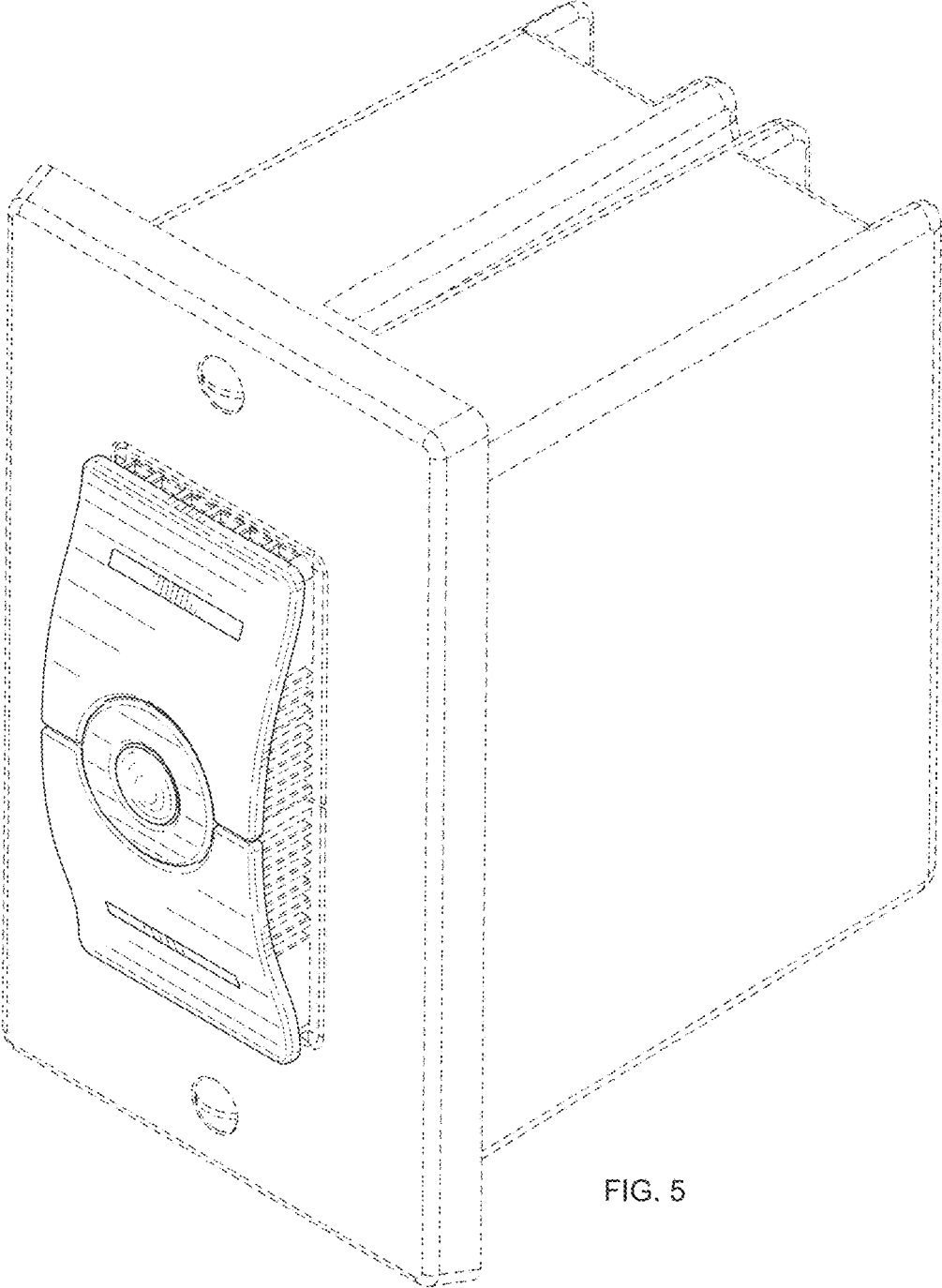


FIG. 5

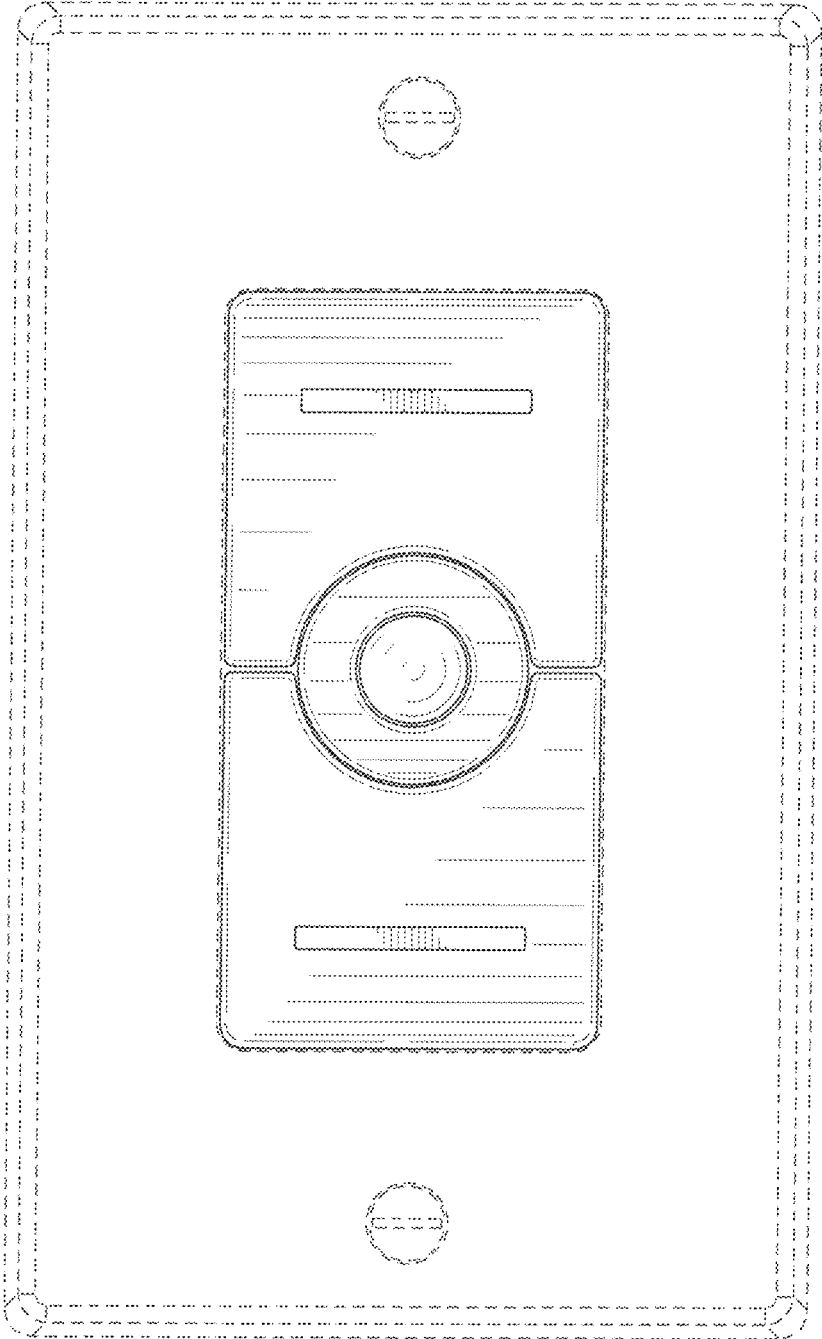


FIG. 6



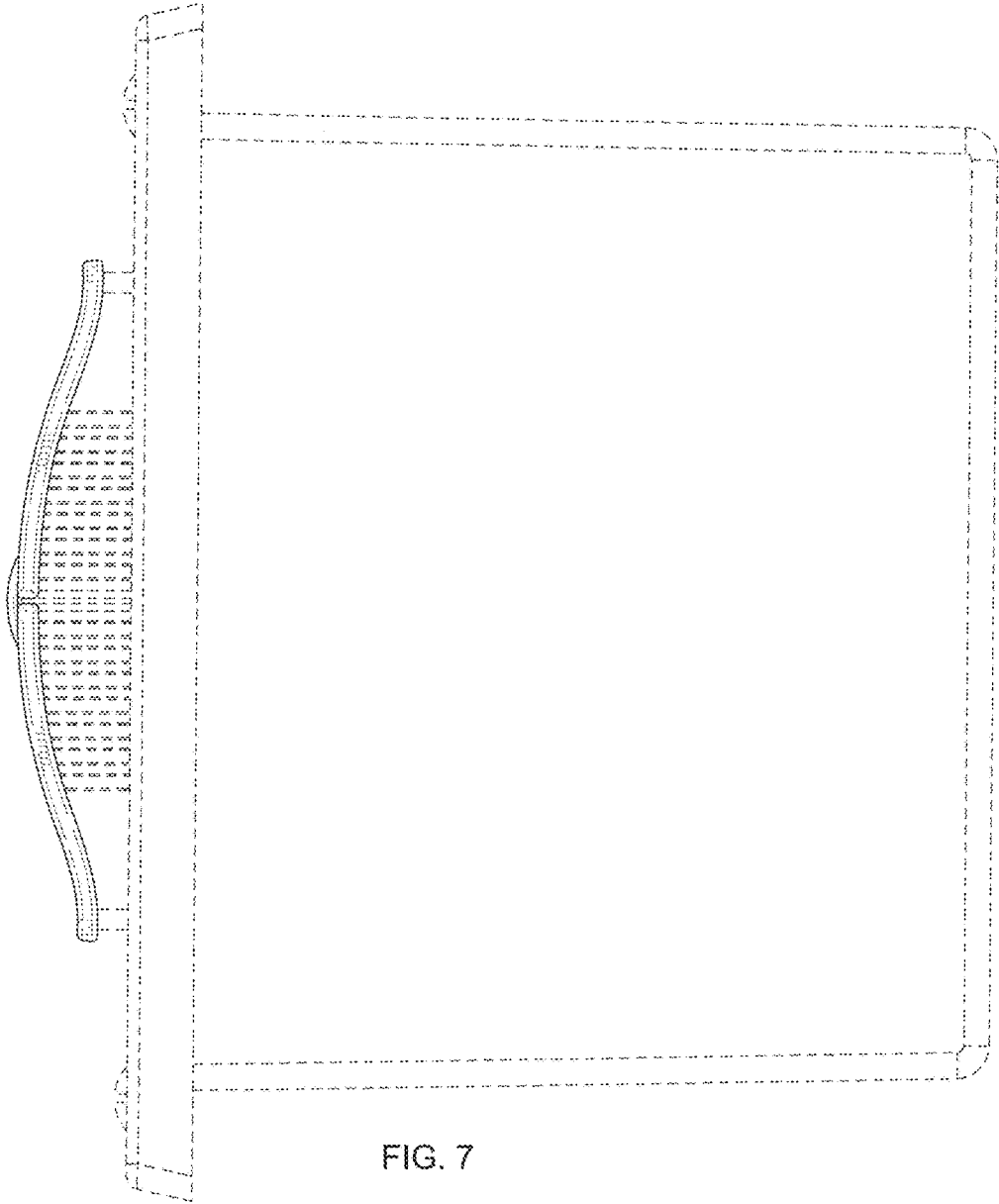


FIG. 7

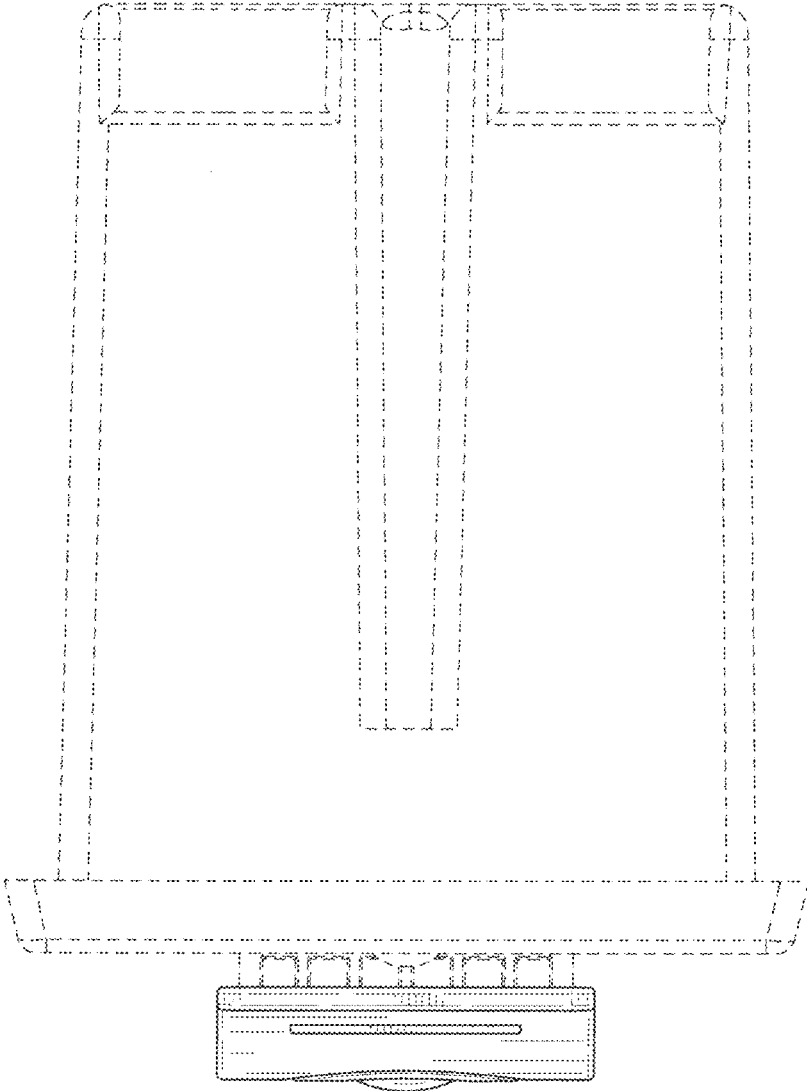


FIG. 8