

- [54] **MAGNETIC CARD READER**
- [75] Inventors: Daniel J. Crowley, Harrisburg;  
Raymond V. Pass, Camp Hill, both of Pa.
- [73] Assignee: AMP Incorporated, Harrisburg, Pa.
- [\*\*] Term: 14 Years
- [21] Appl. No.: 956,524
- [22] Filed: Oct. 31, 1978
- [51] Int. Cl. .... D14-02
- [52] U.S. Cl. .... D14/107; D14/105
- [58] Field of Search .... D14/40-50;  
235/380, 382, 441, 449, 462, 463, 464, 465, 471,  
443, 480

3,402,662	9/1968	Blair et al. ....	101/285
3,447,457	6/1969	Dechert, Jr. et al. ....	101/269
3,448,248	6/1969	Jarrett et al. ....	235/443
3,462,567	8/1969	Brown .....	235/443 X
3,706,874	12/1972	Lockard .....	235/473
3,836,753	9/1974	Pass .....	235/449
3,896,293	7/1975	Pass .....	235/480
3,916,156	10/1975	Pass .....	235/443

Primary Examiner—Susan J. Lucas  
Attorney, Agent, or Firm—Russell J. Egan

[57] CLAIM

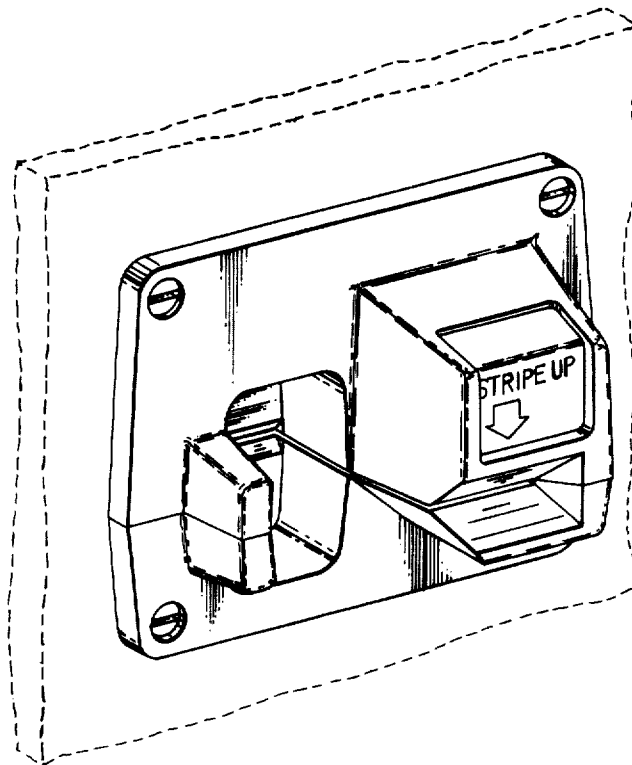
The ornamental design for a magnetic card reader, as shown and described.

DESCRIPTION

FIG. 1 is a perspective view of a magnetic card reader of our new design; FIG. 2 is a front elevation of the magnetic card reader; FIG. 3 is a left side elevation of the card reader; FIG. 4 is a right side elevation of the subject card reader; FIG. 5 is a top plan view of the subject card reader; and FIG. 6 is a bottom plan view of the subject card reader. The mounting panel is shown in broken lines for illustrative purposes only.

[56] References Cited  
U.S. PATENT DOCUMENTS

D. 202,896	11/1965	Ekers .....	D14/49
D. 204,940	5/1966	Loose .....	D14/49
D. 210,217	2/1968	Williams .....	D14/49
D. 210,218	2/1968	Williams .....	D14/49
D. 212,332	10/1968	Brown .....	D14/49
D. 239,029	3/1976	Conway et al. ....	D14/49



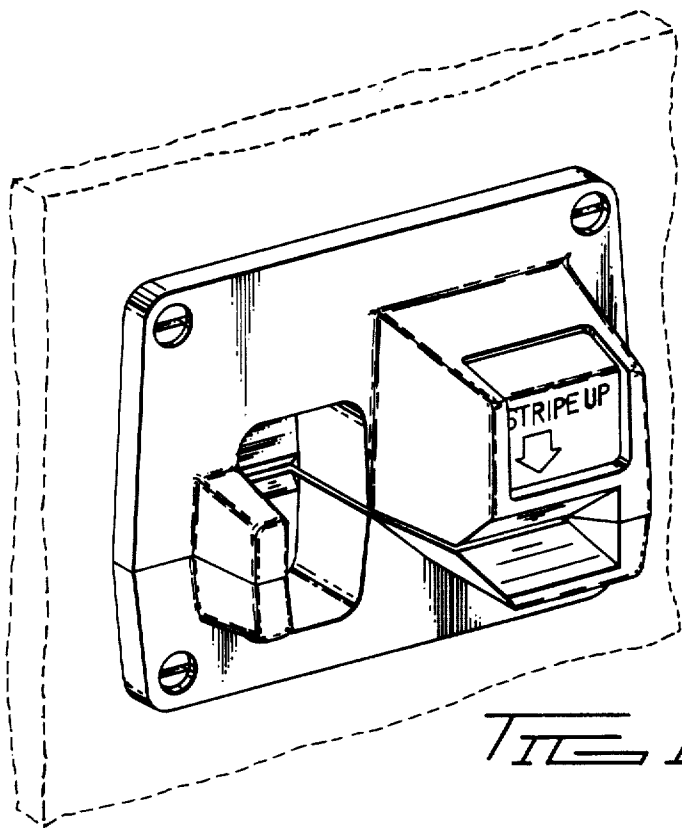


FIG 1

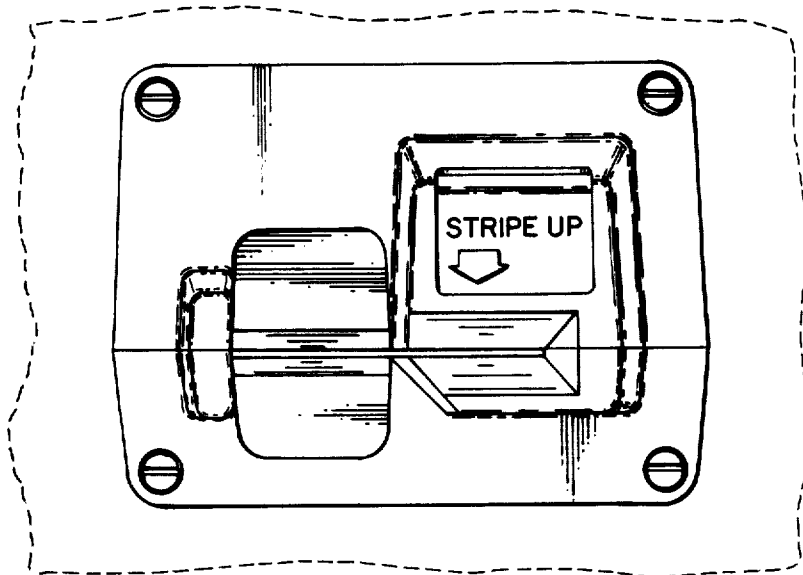


FIG 2

