



US0D1047294S

(12) **United States Design Patent**
Yu

(10) **Patent No.:** **US D1,047,294 S**

(45) **Date of Patent:** **** Oct. 15, 2024**

(54) **KNEE PAD**

(71) Applicant: **Zechong Yu**, Dengzhou (CN)

(72) Inventor: **Zechong Yu**, Dengzhou (CN)

(**) Term: **15 Years**

(21) Appl. No.: **29/910,312**

(22) Filed: **Aug. 17, 2023**

(51) **LOC (14) Cl.** **02-99**

(52) **U.S. Cl.**

USPC **D29/121.1**; D24/200

(58) **Field of Classification Search**

USPC D29/100, 120.1, 121.1, 121.2; D24/200,
D24/206, 209, 210, 215

CPC .. A41D 13/00; A41D 13/012; A41D 13/0125;
A41D 13/015; A41D 13/05; A41D
13/0512; A41D 13/11; A42B 1/0181;
A42B 1/24; A42B 1/247; A42B 1/08;
A42B 3/00; A42B 3/04; A42B 3/0406;
A42B 3/06; A42B 3/062; A42B 3/063;
A42B 3/064; A42B 3/065; A42B 3/066;
A42B 3/10; A42B 3/12; A42B 3/18;
A42B 3/22; A42B 3/221; A42B 3/225;
A42B 3/324; F41H 1/00; F41H 1/02;
F41H 1/04; F41H 1/06; F41H 1/08

See application file for complete search history.

(56) **References Cited**

U.S. PATENT DOCUMENTS

D355,052 S *	1/1995	Paikos	D29/100
D476,449 S *	6/2003	Beutler	D29/121.1
D489,846 S *	5/2004	Singh	D29/100
D504,981 S *	5/2005	Vanderhoef	D29/121.1
D588,310 S *	3/2009	Dancyger	D29/121.1
D638,995 S *	5/2011	Hanlon	D29/121.1
D643,156 S *	8/2011	Harris	D29/120.1
D813,463 S *	3/2018	McCashin	D29/121.1

D832,526 S *	10/2018	Stobar	D29/121.1
D837,459 S *	1/2019	Stobar	D29/121.1
D837,460 S *	1/2019	Stobar	D29/121.1
D861,898 S *	10/2019	Blake	D24/200
D896,395 S *	9/2020	Hsu	D24/200
D959,059 S *	7/2022	Uibo	D29/121.1
D982,165 S *	3/2023	Qin	D24/200

FOREIGN PATENT DOCUMENTS

CN 308261921 * 10/2023

OTHER PUBLICATIONS

Amazon, "Smart Knee Massager", first available May 18, 2021.
(<https://www.amazon.com/Massager-Adjustable-Cordless-Vibration-One%E2%80%91Button/dp/B095765Z7D>) (Year: 2021).*

(Continued)

Primary Examiner — Leanne Was-Englehart

Assistant Examiner — Justin A Johnson

(74) *Attorney, Agent, or Firm* — Vladimir Postnikov

(57) **CLAIM**

The ornamental design for a knee pad, as shown and described.

DESCRIPTION

FIG. 1 is a front elevation view of a knee pad showing the new design;

FIG. 2 is a back elevation view thereof;

FIG. 3 is a left-side view thereof;

FIG. 4 is a right-side view thereof;

FIG. 5 is a top plan view thereof;

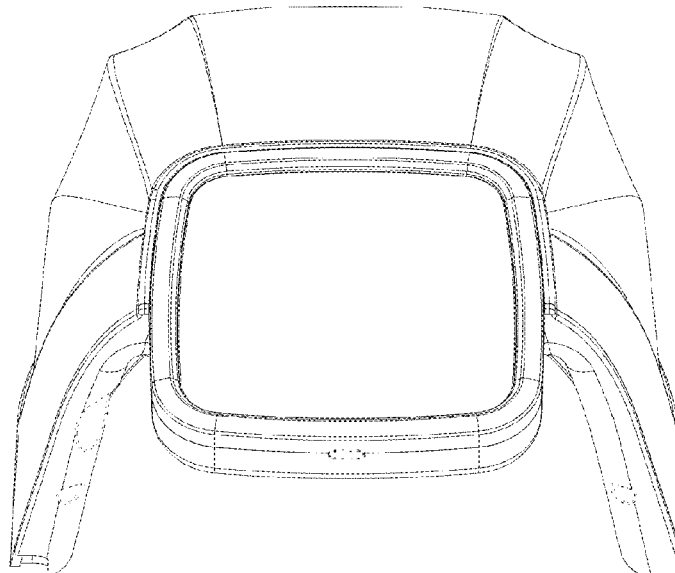
FIG. 6 is a bottom plan view thereof;

FIG. 7 is a perspective view thereof; and,

FIG. 8 is another perspective view thereof.

The broken lines depict portions of the article that form no part of the claimed design.

1 Claim, 8 Drawing Sheets



(56)

References Cited

OTHER PUBLICATIONS

Amazon, "Kesitis Knee Massager", first available Feb. 10, 2022. (<https://www.amazon.com/KESITIS-Massager-Vibration-Rechargeable-Stiffness/dp/B09S5NV3DS>) (Year: 2022).*

Amazon, "EvAnem Smart Electric Heating Vibration Massager Knee Pad", first available Sep. 6, 2023. (<https://www.amazon.com/EvAnem-Electric-Vibration-Massager-Rechargeable/dp/B0CHF1H9V6>) (Year: 2023).*

Amazon, "Kaiwoye Knee Massager", first available Jul. 12, 2023. (https://www.amazon.com/Massager-Multi-Functional-Rechargeable-Electronic-Vibration-Stiffness/dp/B0CBPHR2ZT/ref=psdc_3767521_t2_B09S5NV3DS) (Year: 2023).*

* cited by examiner

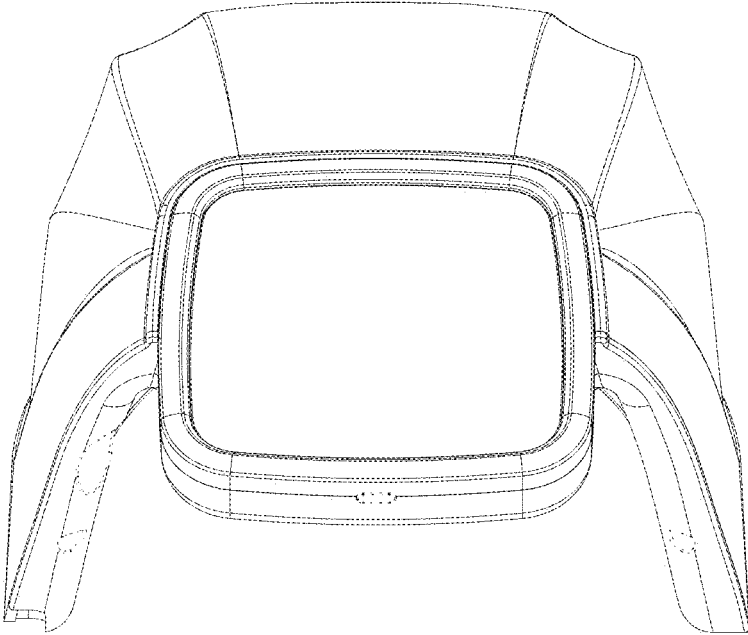


FIG. 1

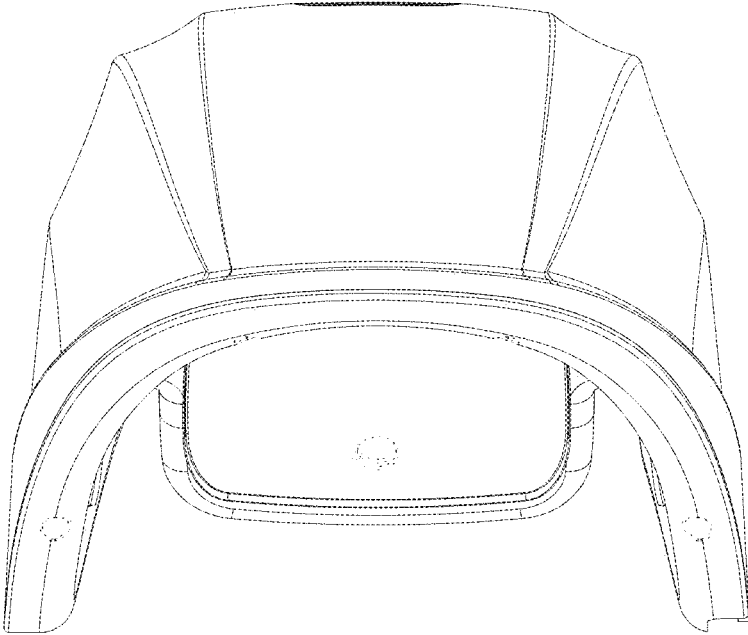


FIG. 2

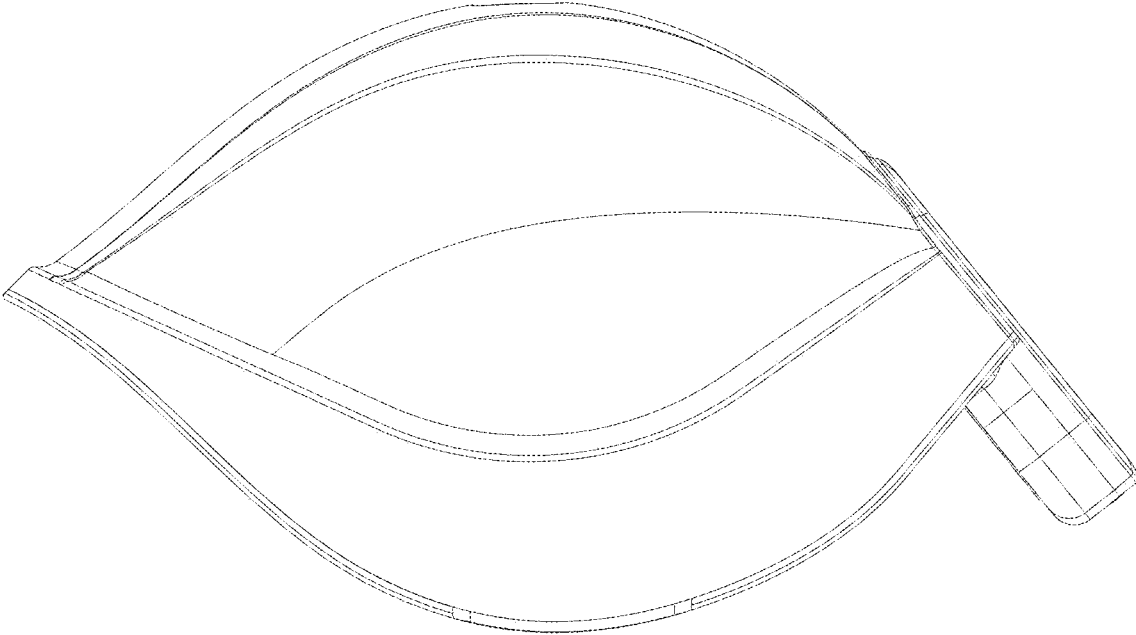


FIG. 3

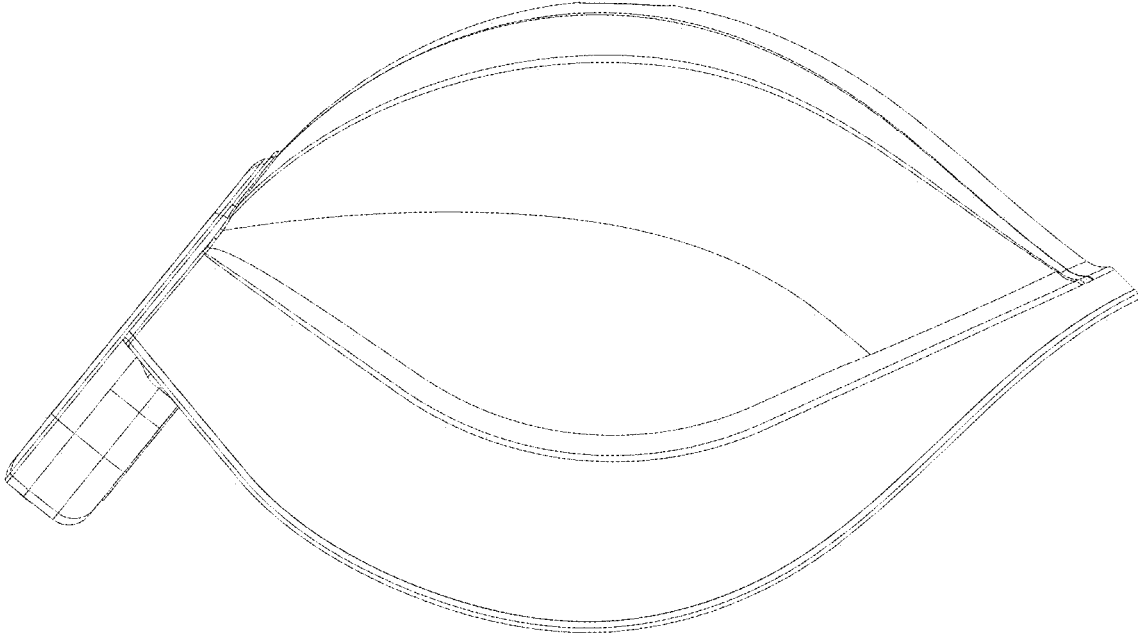


FIG. 4

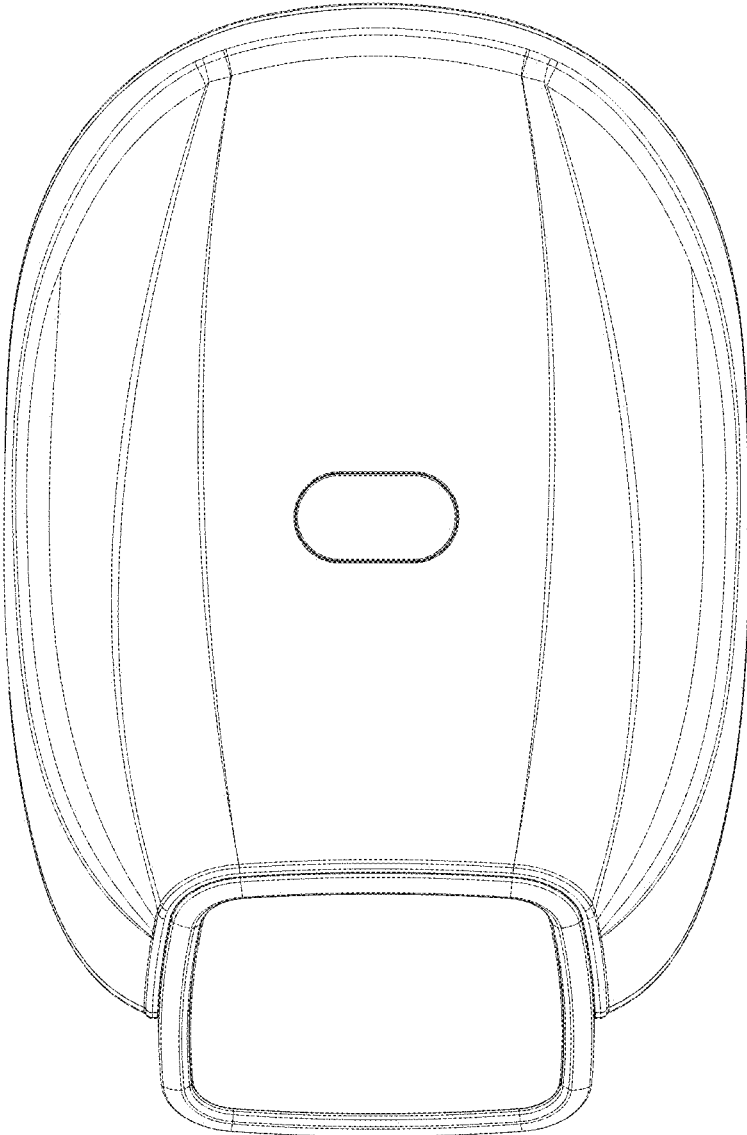


FIG. 5

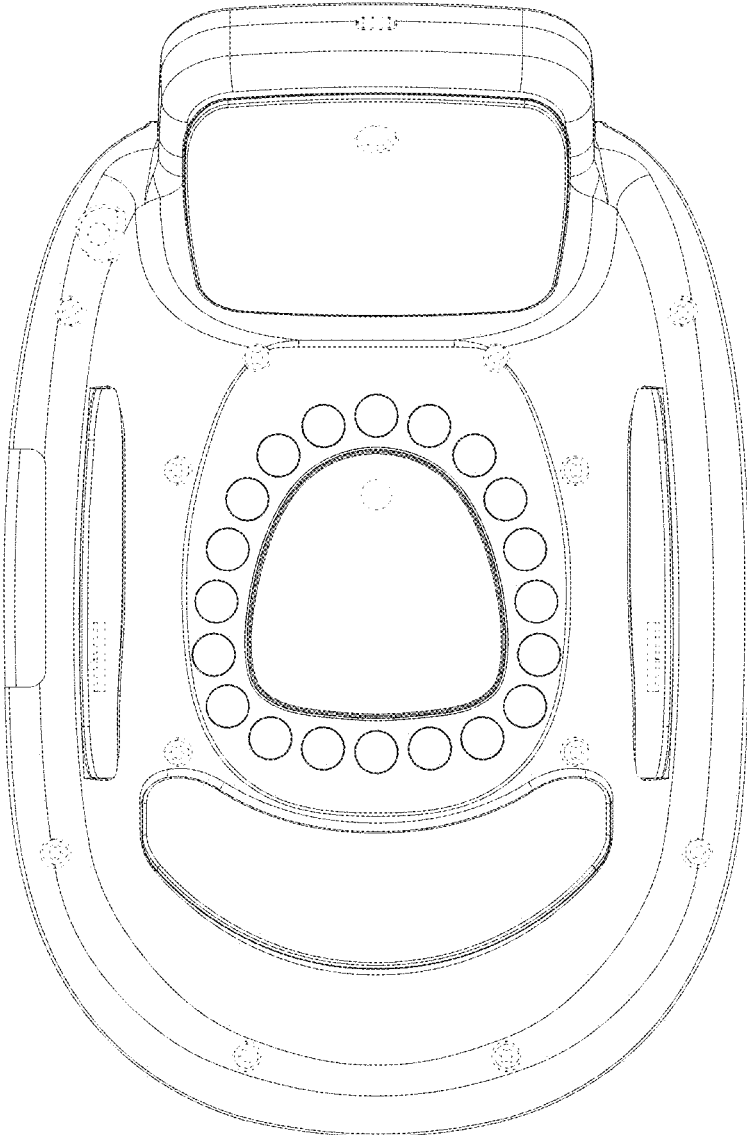


FIG. 6

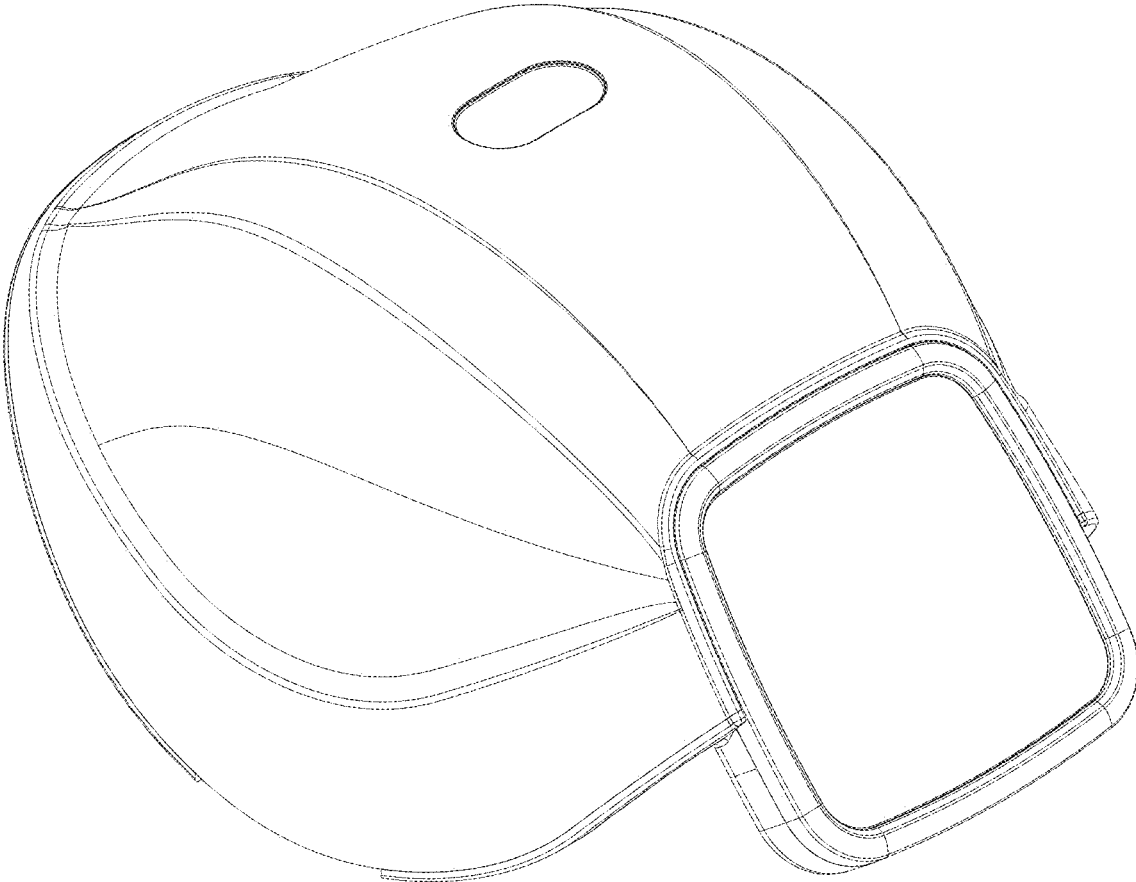


FIG. 7

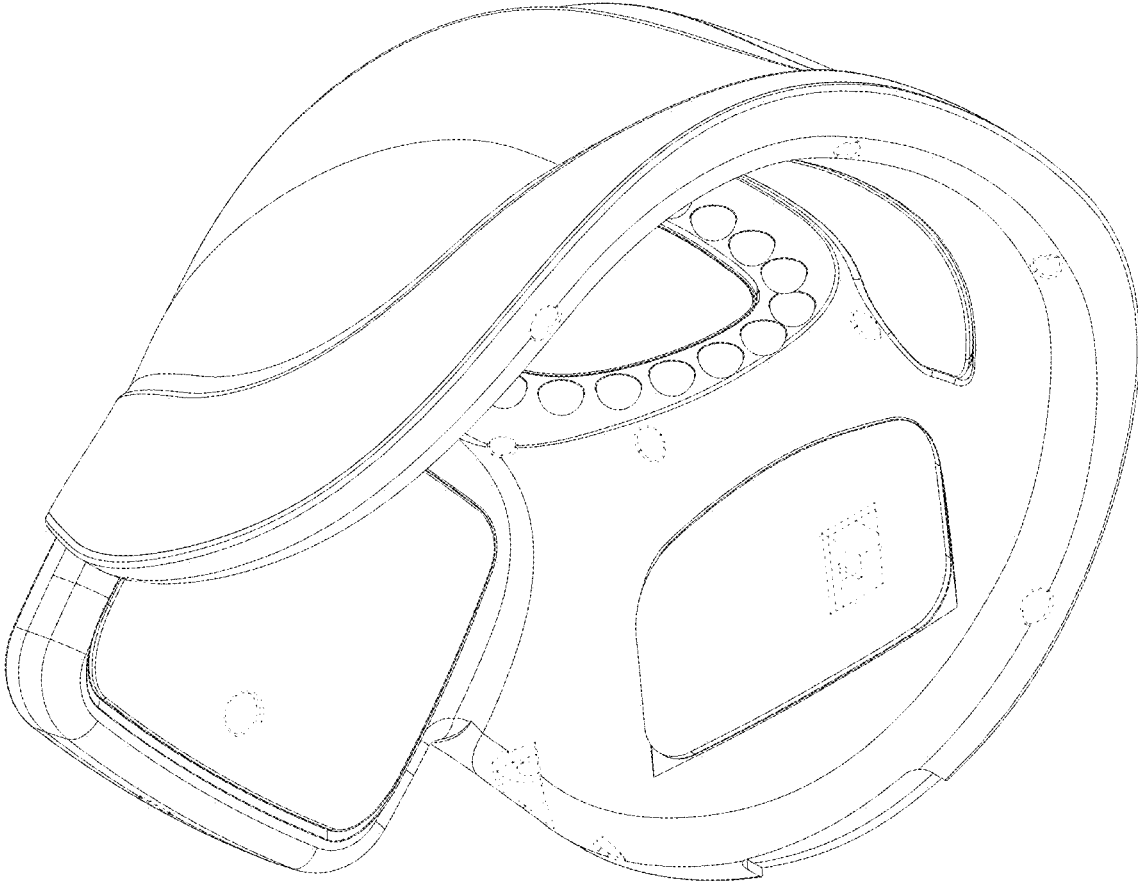


FIG. 8