



US00D409347S

United States Patent [19] Hurt

[11] Patent Number: **Des. 409,347**
[45] Date of Patent: **** May 4, 1999**

[54] **WHEELED TOOL CART WITH U-SHAPED END FRAMES**

[75] Inventor: **Daniel P. Hurt**, Edina, Minn.

[73] Assignee: **Product Marketing Junction, Inc.**, Hopkins, Minn.

[**] Term: **14 Years**

[21] Appl. No.: **29/089,217**

[22] Filed: **Jun. 10, 1998**

[51] **LOC (6) Cl.** **12-02**

[52] **U.S. Cl.** **D34/24; D34/21**

[58] **Field of Search** **D34/12-27; 280/79.11, 280/79.3, 47.34, 47.18, 47.19, 47.24, 47.27, 33.992, 33.991**

[56] **References Cited**

U.S. PATENT DOCUMENTS

| | | | | |
|------------|--------|-------------|-------|--------|
| D. 169,337 | 5/1953 | Reece | | D34/21 |
| D. 230,834 | 3/1974 | Sonnergaard | | D34/22 |
| D. 367,348 | 2/1996 | Basharat | | D34/18 |

| | | | | |
|------------|--------|--------------------|-------|-------------|
| D. 396,924 | 8/1998 | Cardenas | | D34/24 |
| 2,668,977 | 2/1954 | Reece | | 280/47.19 X |
| 4,737,065 | 4/1988 | Ju | | 414/490 |
| 5,149,114 | 9/1992 | Lewandowski et al. | | 280/33.992 |
| 5,626,352 | 5/1997 | Grace | | 280/47.29 |

Primary Examiner—Kay H. Chin
Attorney, Agent, or Firm—Haugen Law Firm PLLP

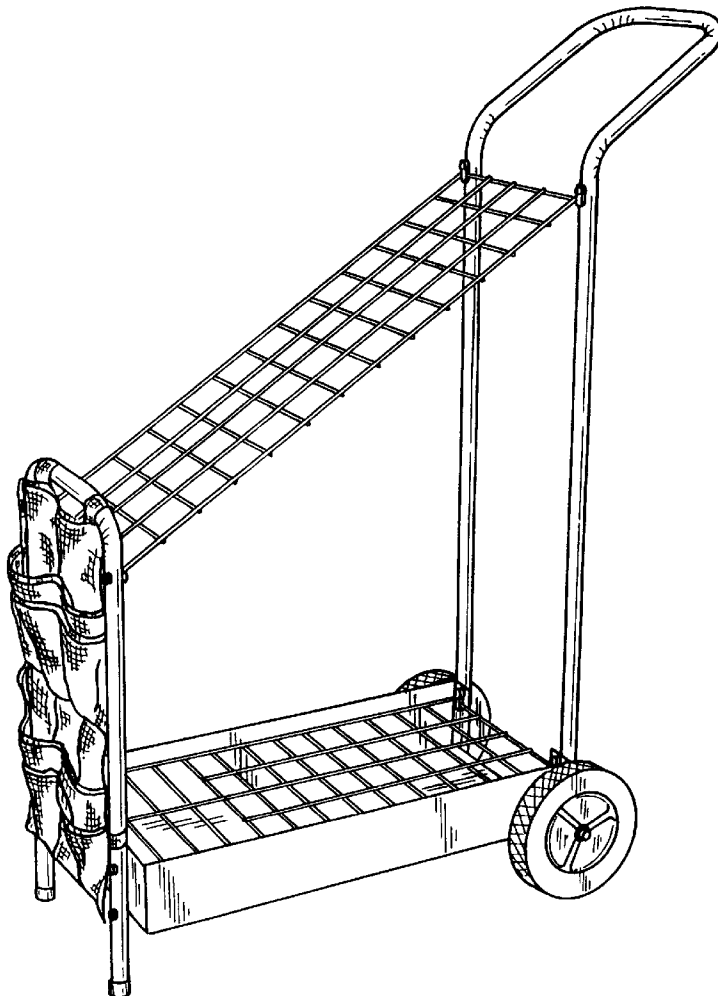
[57] **CLAIM**

The ornamental design for the “wheeled tool cart with u-shaped end frames”, as shown and described.

DESCRIPTION

FIG. 1 is a perspective view of the wheeled tool cart with u-shaped end frames design of the present invention with a pocket attachment;
FIG. 2 is front elevational view of the design;
FIG. 3 is a rear elevational view of the design;
FIG. 4 is a side elevational view of the design, with the other side being a mirror image thereof;
FIG. 5 is a top plan view of the design; and,
FIG. 6 is a bottom plan view of the design.

1 Claim, 4 Drawing Sheets



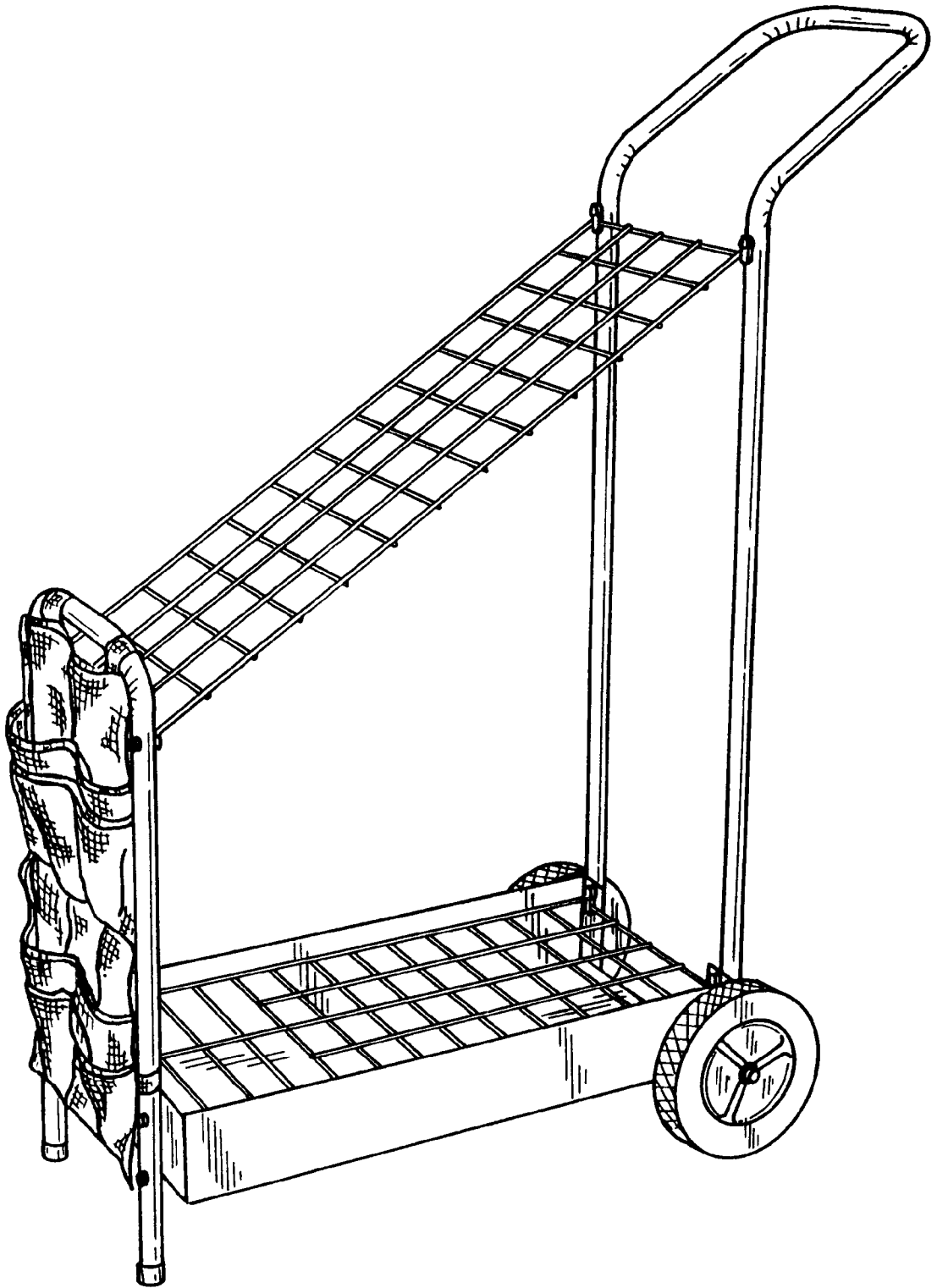


FIG. 1

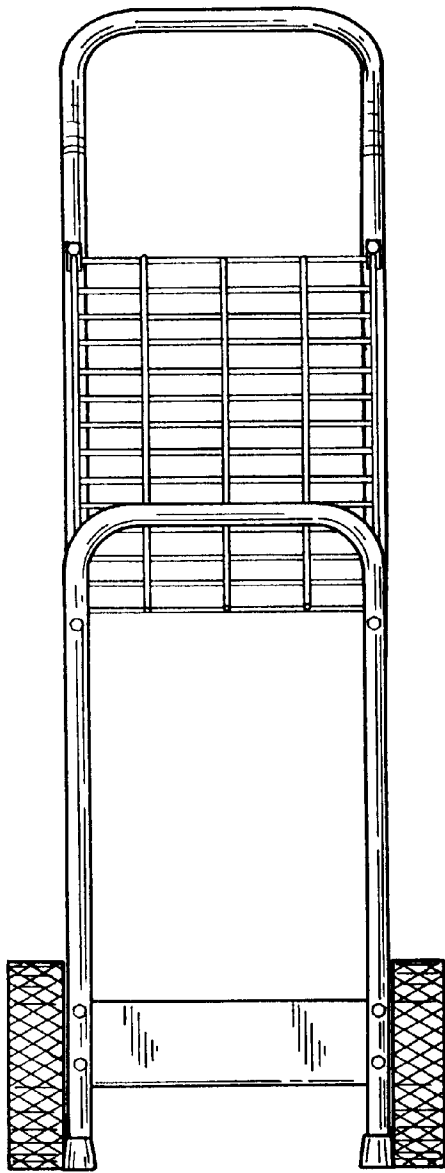


FIG. 2

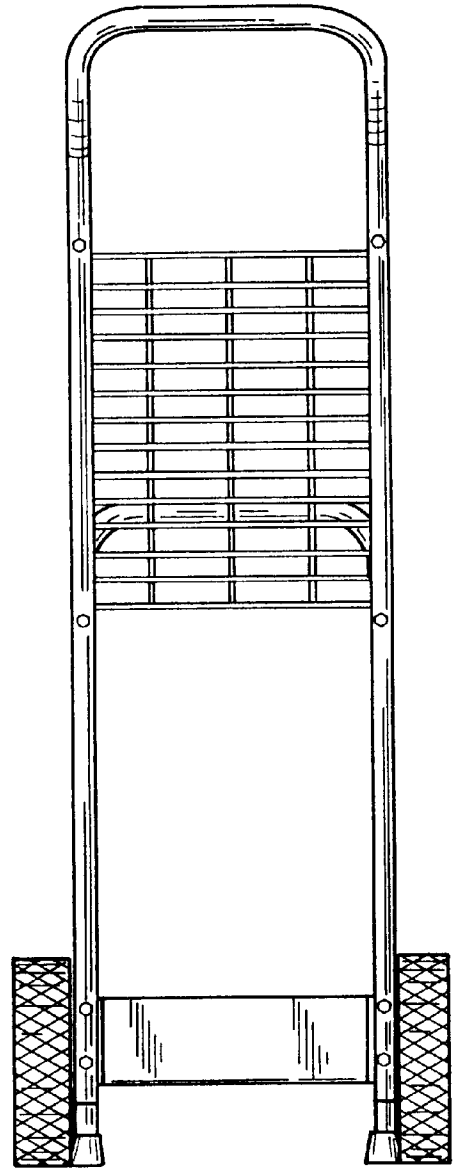


FIG. 3

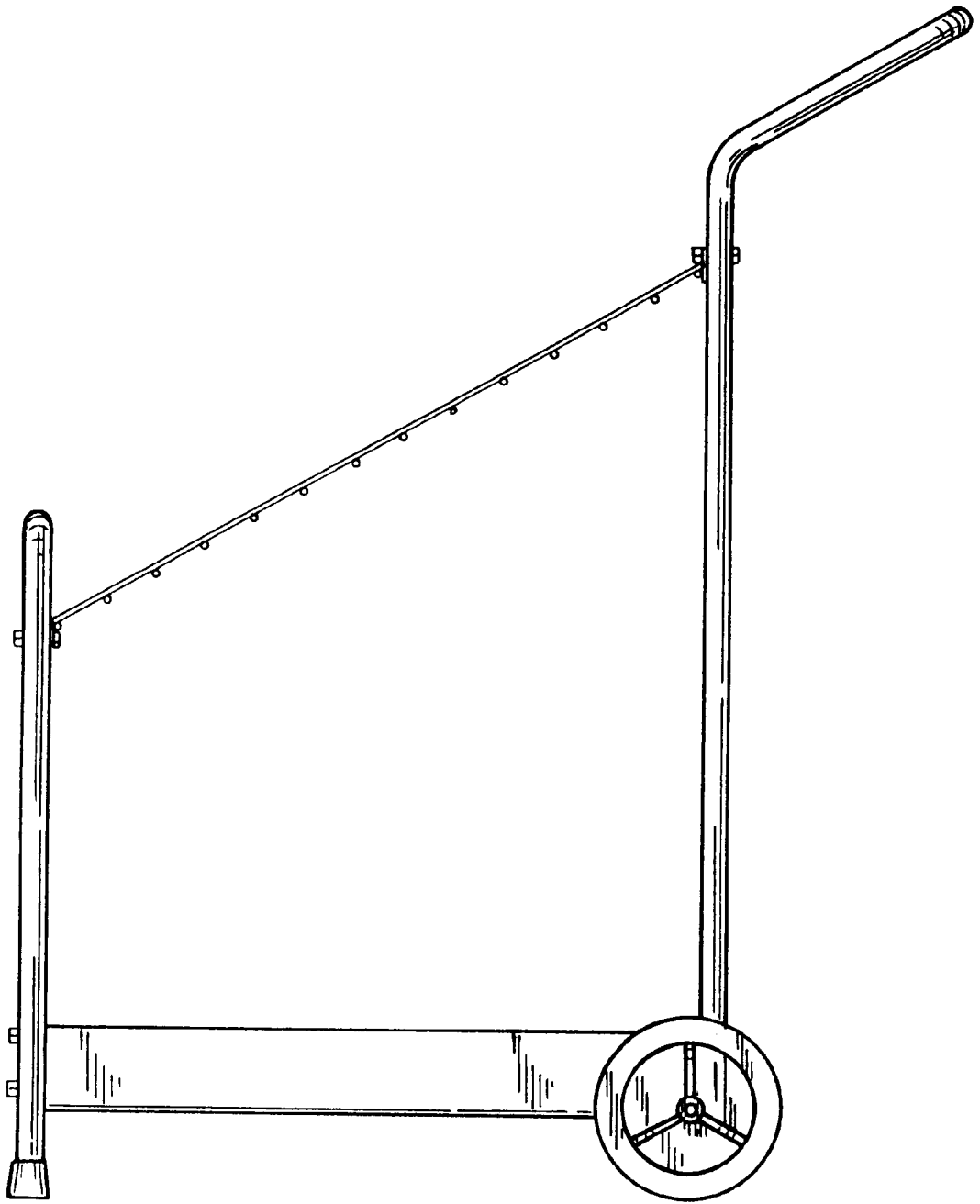


FIG. 4

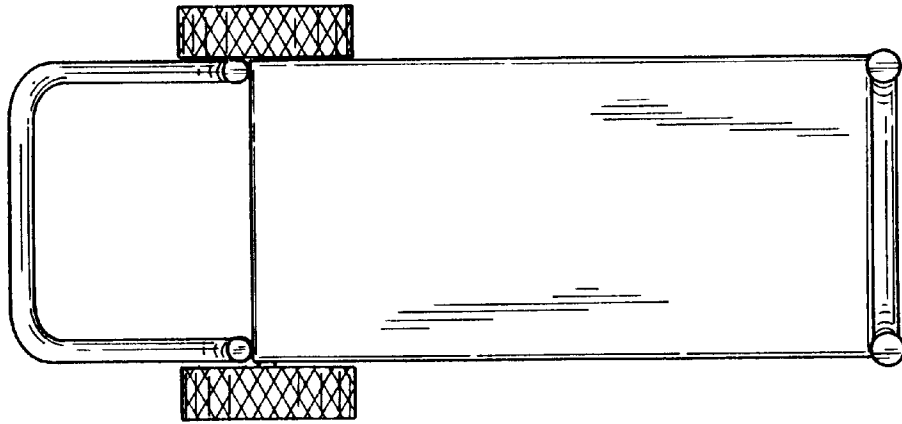


FIG. 6

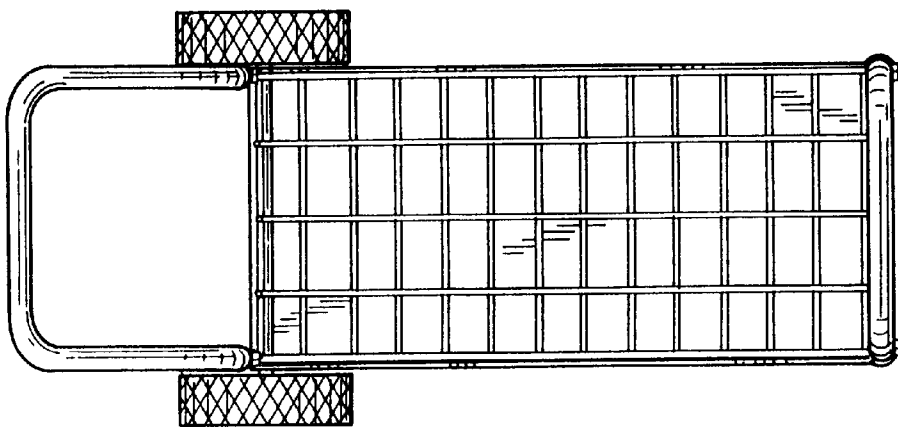


FIG. 5