

CORRECTED VERSION

(19) World Intellectual Property Organization
International Bureau



(43) International Publication Date
18 May 2007 (18.05.2007)

PCT

(10) International Publication Number
WO 2007/053960 A1

(51) **International Patent Classification:**
A61B 17/17 (2006 01) *A61B 17/72* (2006 01)

SCHORI, Pascal [CH/CH], Hauptstrasse 33, CH-2553 Safern (CH)

(21) **International Application Number:**
PCT/CH2005/000657

(74) **Agent: LUSUARDI, Werther, Dr** Lusuardi AG, Kreuzbühlstrasse 8, CH-8008 Zürich (CH)

(22) **International Filing Date:**
8 November 2005 (08 11 2005)

(81) **Designated States** (*unless otherwise indicated, for every kind of national protection available*): AE, AG, AL, AM, AT, AU, AZ, BA, **BB**, BG, **BR**, BW, BY, BZ, CA, CH, CN, CO, CR, CU, CZ, DE, **DK**, DM, DZ, EC, EE, EG, ES, FI, GB, GD, GE, GH, GM, **HR**, HU, **ID**, **IL**, IN, **IS**, **JP**, KE, KG, KM, KN, **KP**, **KR**, KZ, LC, LK, LR, LS, LT, LU, LV, LY, MA, MD, MG, MK, MN, MW, MX, MZ, NA, NG, NI, NO, NZ, OM, PG, **PH**, PL, PT, **RO**, RU, SC, SD, SE, SG, SK, SL, SM, SY, **TJ**, TM, TN, TR, TT, TZ, UA, UG, US, UZ, VC, VN, YU, ZA, ZM, ZW

(25) **Filing Language:** English

(26) **Publication Language:** English

(71) **Applicant** (*for all designated States except US*): **SYNTHES GMBH** [CWCH], Eimattstrasse 3, CH-4436 Oberdorf (CH)

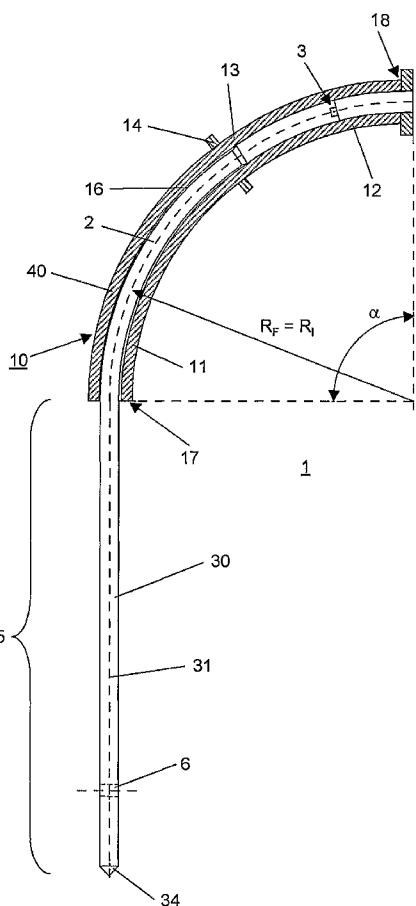
(72) **Inventors; and**

(75) **Inventors/Applicants** (*for US only*): **FRIGG, Robert** [CH/CH], Mattenweg 8, CH-2544 Bettlach (CH)

(84) **Designated States** (*unless otherwise indicated, for every kind of regional protection available*): ARIPO (BW, GH, GM, KE, LS, MW, MZ, NA, SD, SL, SZ, TZ, UG, ZM,

[Continued on next page]

(54) **Title:** INTRAMEDULLARY, LONGITUDINAL IMPLANT



(57) **Abstract:** An intramedullary longitudinal implant (1) comprising a curved first end portion (2) which is provided with coupling means (3) by means of which the implant (1) may be inserted into or removed from the intramedullary space of a bone (4), and a second end portion (3) being straight in a first position and which may be elastically bent into a second position such that it may have a curvature equal to the curvature of the first end portion (2) without being permanently deformed

WO 2007/053960 A1



ZW), Eurasian (AM, AZ, BY, KG, KZ, MD, RU, TJ, TM),
European (AT, BE, BG, CH, CY, CZ, DE, DK, EE, ES, FI,
FR, GB, GR, HU, IE, IS, IT, LT, LU, LV, MC, NL, PL, PT,
RO, SE, SI, SK, TR), OAPI (BF, BJ, CF, CG, CI, CM, GA,
GN, GQ, GW, ML, MR, NE, SN, TD, TG).

(48) **Date of publication of this corrected version:**

12 July 2007

(15) **Information about Correction:**

see PCT Gazette No. 28/2007 of 12 July 2007

Published:

— with international search report

For two-letter codes and other abbreviations, refer to the "Guidance Notes on Codes and Abbreviations" appearing at the beginning of each regular issue of the PCT Gazette.