



US00D719397S

(12) **United States Design Patent**
Krooshof

(10) **Patent No.:** **US D719,397 S**

(45) **Date of Patent:** **** Dec. 16, 2014**

(54) **AIR FRYER**

219/447.1, 620-622; 220/573.1-573.5,
220/912; 426/425, 438

(71) Applicant: **Koninklijke Philips N.V.**, Eindhoven
(NL)

See application file for complete search history.

(72) Inventor: **Roeland Gerard Krooshof**, Rotterdam
(NL)

(56) **References Cited**

U.S. PATENT DOCUMENTS

(73) Assignee: **Koninklijke Philips N.V.**, Eindhoven
(NL)

D299,903	S	*	2/1989	Grutzke	D7/357
D369,270	S	*	4/1996	Payen	D7/354
D448,236	S	*	9/2001	Murray	D7/326
6,807,899	B2	*	10/2004	Dirand	99/403
D510,238	S	*	10/2005	Yen	D7/665
D525,478	S	*	7/2006	Averty	D7/354
D630,467	S	*	1/2011	Harrod	D7/376
D674,651	S	*	1/2013	Berge	D7/354
D680,800	S	*	4/2013	Berge	D7/354
D680,802	S	*	4/2013	Seymour	D7/354
D692,718	S	*	11/2013	Verbrugge et al.	D7/354
D701,075	S	*	3/2014	Wai	D7/357
2008/0274246	A1	*	11/2008	Glucksman et al.	426/425

(**) Term: **14 Years**

(21) Appl. No.: **29/466,292**

(22) Filed: **Sep. 6, 2013**

(30) **Foreign Application Priority Data**

Mar. 7, 2013 (EM) 002198499-0001

(51) **LOC (10) Cl.** **07-02**

(52) **U.S. Cl.**
USPC **D7/354**

(58) **Field of Classification Search**

CPC A23L 1/01; A23L 1/0107; A23L 1/0114;
A47J 27/00; A47J 27/08; A47J 27/09; A47J
27/092; A47J 31/20; A47J 31/48; A47J
31/446; A47J 36/025; A47J 36/06; A47J
36/08; A47J 36/10; A47J 36/12; A47J 36/14;
A47J 36/165; A47J 36/18; A47J 36/20;
A47J 36/22; A47J 37/00; A47J 37/12; A47J
37/1204; A47J 37/1209; A47J 37/1214;
A47J 37/1219; A47J 37/1266; A47J 37/1271;
A47J 37/1285; A47J 37/129; A47J 37/1295;
G06F 17/0064; G06F 17/0078; G06F 17/0085;
H05B 6/02; H05B 6/06; H05B 6/12
USPC D7/323, 326, 339, 350.1, 354-361, 376,
D7/665; 99/324-326, 330-339, 348, 359,
99/403, 410, 411, 413, 467, 468, 644;
126/1 R, 21 A, 21 R, 384.1, 389.1,
126/390.1; 219/385-386, 438, 440-441,

* cited by examiner

Primary Examiner — Ricky Pham

(57) **CLAIM**

The ornamental design for a air fryer, as shown.

DESCRIPTION

FIG. 1 is a perspective view showing my design;
FIG. 2 is a front elevational view thereof;
FIG. 3 is a rear elevational view thereof;
FIG. 4 is a right side elevational view thereof;
FIG. 5 is a left side elevational view thereof;
FIG. 6 is a top plan view thereof; and,
FIG. 7 is a bottom plan view thereof.

1 Claim, 7 Drawing Sheets

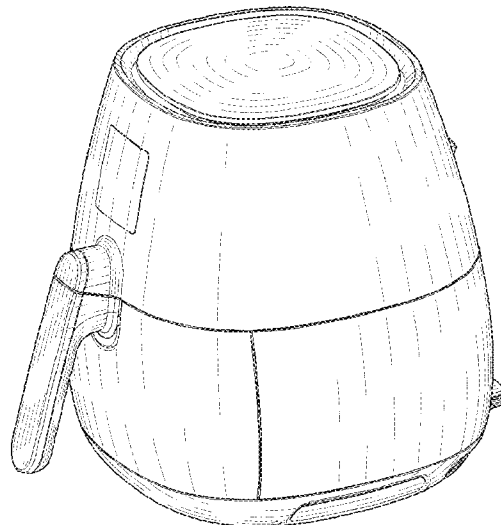




FIG. 1

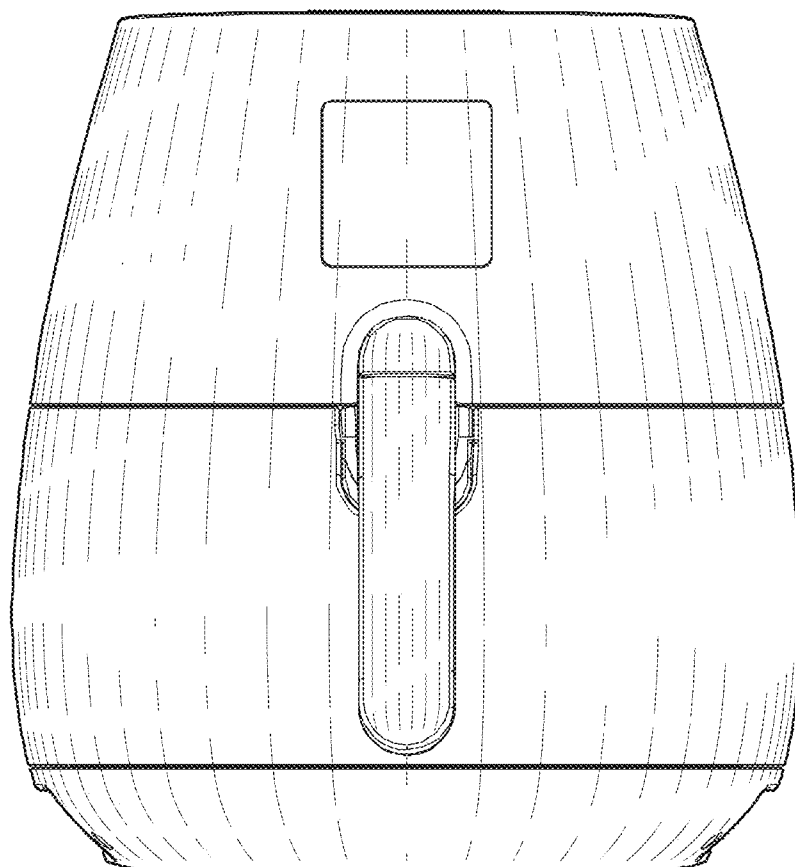


FIG. 2

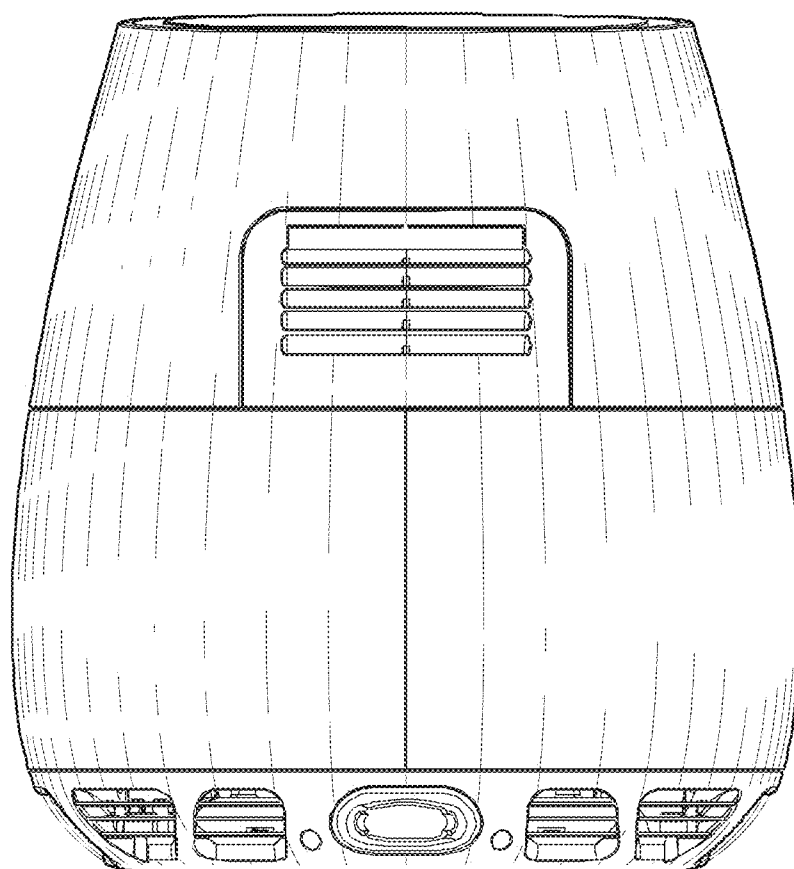


FIG. 3

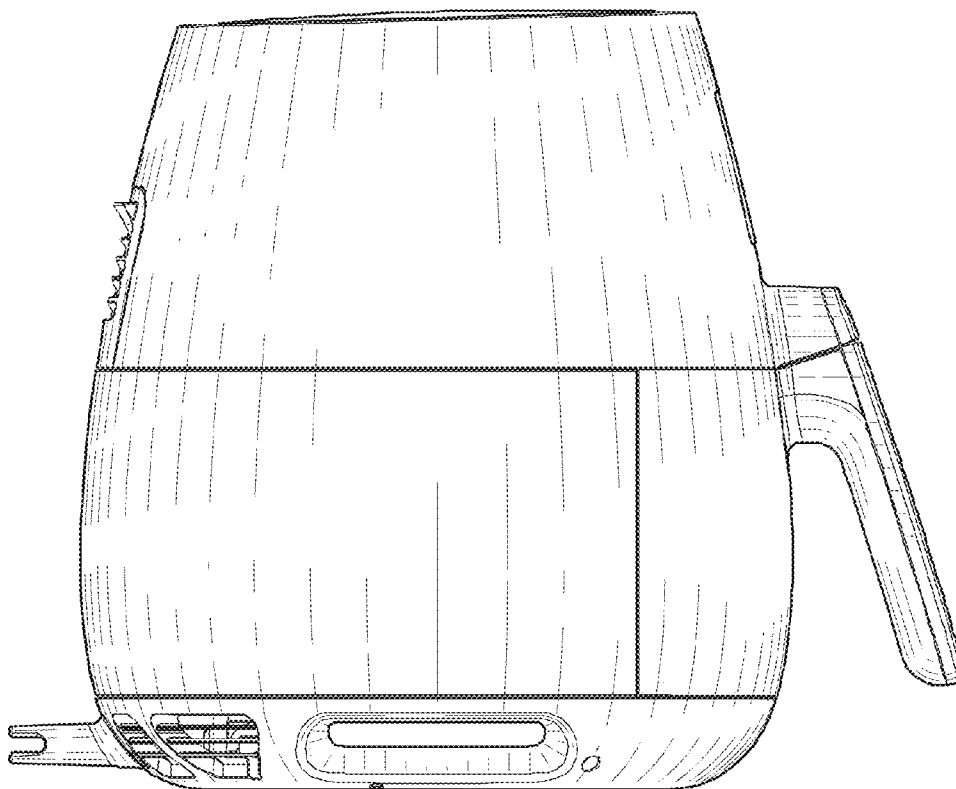


FIG. 4

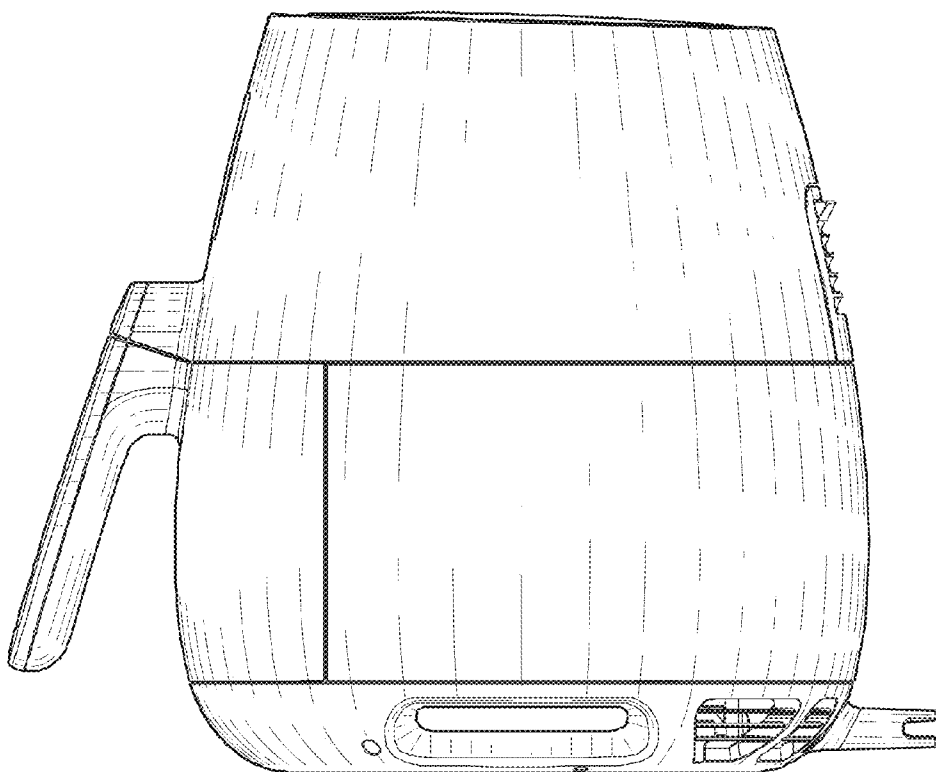


FIG. 5

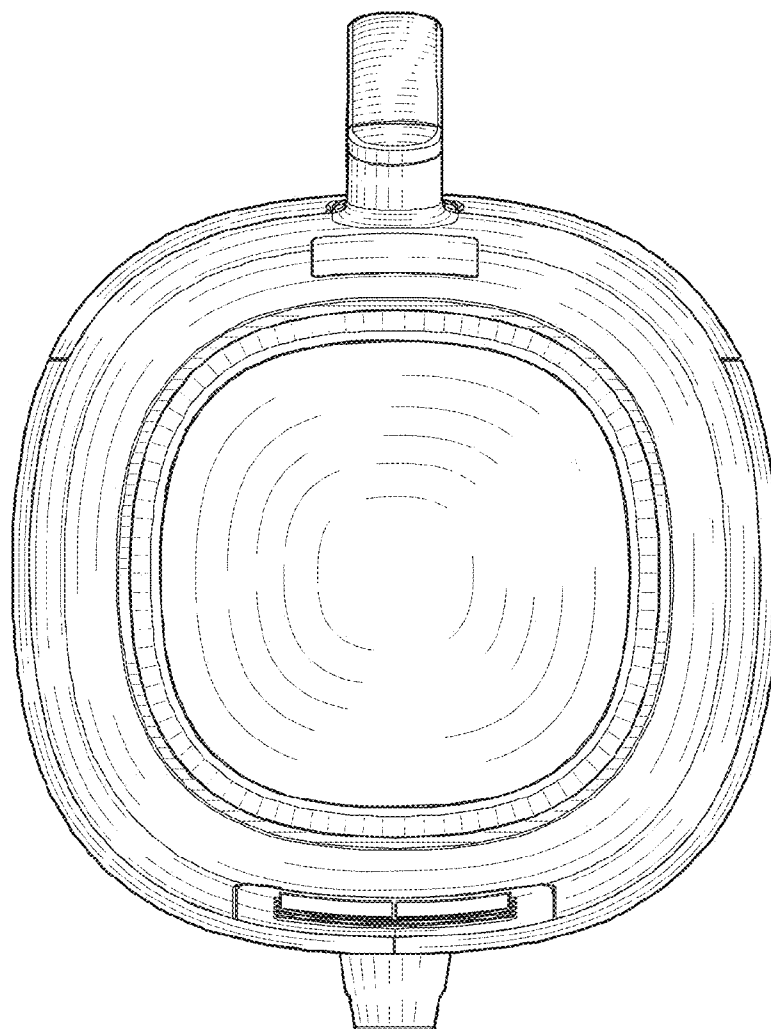


FIG. 6

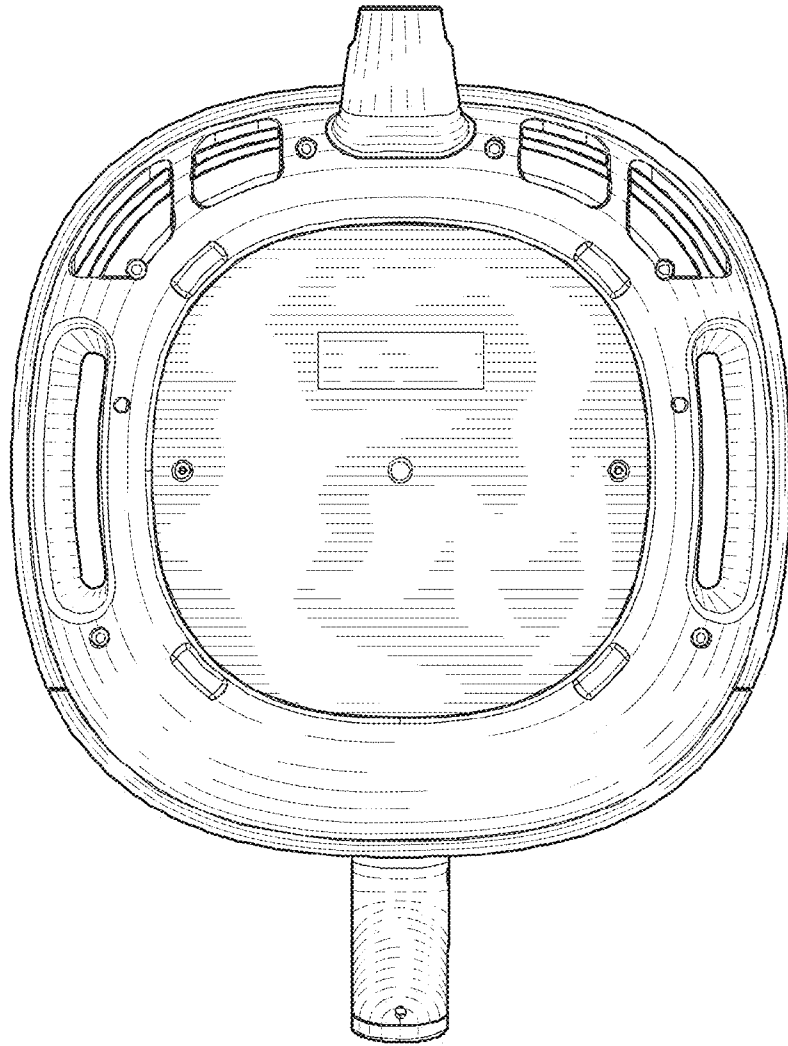


FIG. 7