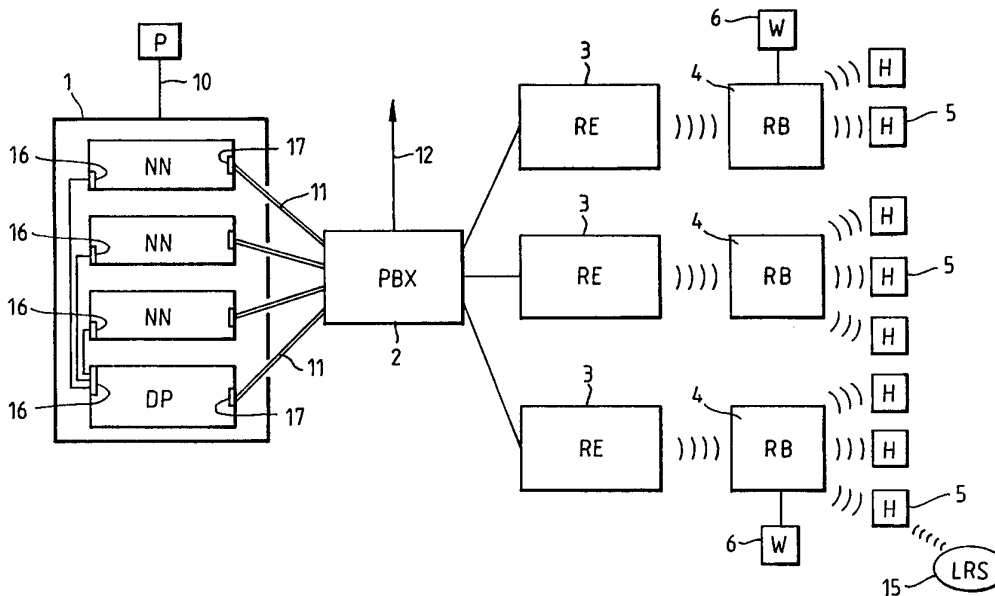




INTERNATIONAL APPLICATION PUBLISHED UNDER THE PATENT COOPERATION TREATY (PCT)

<p>(51) International Patent Classification ⁵ : H04J 3/16, G06F 15/21</p>	<p>A1</p>	<p>(11) International Publication Number: WO 94/11967 (43) International Publication Date: 26 May 1994 (26.05.94)</p>
<p>(21) International Application Number: PCT/GB93/02360 (22) International Filing Date: 16 November 1993 (16.11.93) (30) Priority data: 9224020.9 16 November 1992 (16.11.92) GB 9320570.6 6 October 1993 (06.10.93) GB (71)(72) Applicants and Inventors: WEEKS, Stephen [GB/GB]; Penhow Castle, Nr. Newport, Gwent NP6 3AD (GB). HAYES, Robert [US/US]; 2782 Alta Drive, Santa Barbara, CA 93105-9701 (US). (74) Agent: STONER, Patrick; Mewburn Ellis, 2 Cursitor Street, London EC4A 1BQ (GB).</p>		<p>(81) Designated States: AT, AU, BB, BG, BR, BY, CA, CH, CZ, DE, DK, ES, FI, GB, HU, JP, KP, KR, KZ, LK, LU, LV, MG, MN, MW, NL, NO, NZ, PL, PT, RO, RU, SD, SE, SK, UA, US, UZ, VN, European patent (AT, BE, CH, DE, DK, ES, FR, GB, GR, IE, IT, LU, MC, NL, PT, SE), OAPI patent (BF, BJ, CF, CG, CI, CM, GA, GN, ML, MR, NE, SN, TD, TG). Published <i>With international search report.</i></p>

(54) Title: INFORMATION DISTRIBUTION SYSTEMS, PARTICULARLY TOUR GUIDE SYSTEMS



(57) Abstract

A system for the distribution of information, particularly at a tourist site, has a central computer network (1) with a main processor (DP) holding source data networked with node computers (NN). The computers of the network (1) are connected to a telephone exchange (2) which in turn connects to radio exchanges (3), sending to radio base stations (4) which relay and receive transmitted radio signals to/from portable telephone handsets (5). Data of the data source are indexed so that item-specific requests can be sent from the handsets, either manually or by automatic trigger, to initiate the sending of appropriate information items addressed to the appropriate handset (5) from the source data. One or more levels of data catching can be provided between the source data and the telephone exchange (2), to enhance simultaneous service of numerous handsets (5).

FOR THE PURPOSES OF INFORMATION ONLY

Codes used to identify States party to the PCT on the front pages of pamphlets publishing international applications under the PCT.

AT	Austria	GB	United Kingdom	MR	Mauritania
AU	Australia	GE	Georgia	MW	Malawi
BB	Barbados	GN	Guinea	NE	Niger
BE	Belgium	GR	Greece	NL	Netherlands
BF	Burkina Faso	HU	Hungary	NO	Norway
BG	Bulgaria	IE	Ireland	NZ	New Zealand
BJ	Benin	IT	Italy	PL	Poland
BR	Brazil	JP	Japan	PT	Portugal
BY	Belarus	KE	Kenya	RO	Romania
CA	Canada	KG	Kyrgyzstan	RU	Russian Federation
CF	Central African Republic	KP	Democratic People's Republic of Korea	SD	Sudan
CG	Congo	KR	Republic of Korea	SE	Sweden
CH	Switzerland	KZ	Kazakhstan	SI	Slovenia
CI	Côte d'Ivoire	LI	Liechtenstein	SK	Slovakia
CM	Cameroon	LK	Sri Lanka	SN	Senegal
CN	China	LU	Luxembourg	TD	Chad
CS	Czechoslovakia	LV	Latvia	TC	Togo
CZ	Czech Republic	MC	Monaco	TJ	Tajikistan
DE	Germany	MD	Republic of Moldova	TT	Trinidad and Tobago
DK	Denmark	MG	Madagascar	UA	Ukraine
ES	Spain	ML	Mali	US	United States of America
FI	Finland	MN	Mongolia	UZ	Uzbekistan
FR	France			VN	Viet Nam
GA	Gabon				

INFORMATION DISTRIBUTION SYSTEMS, PARTICULARLY
TOUR GUIDE SYSTEMS

FIELD OF THE INVENTION

5 This invention relates to information distribution systems, and particularly to guide systems for a particular local site, e.g. for a tour guide.

BACKGROUND OF THE INVENTION

10 It is known to provide tour customers, e.g. at a museum or other site of interest, with a portable audio apparatus and a tape cassette. By means of a pair of lightweight headphones, the customer can be directed from one feature to another, and given information about the various features of the tour. In many respects this has been found superior to
15 the traditional written programme, since the user's attention is directed more efficiently to objects of interest, and information about them can be given in a more personal and vivid way. The system does however have
20 problems of inflexibility, since the tape cassette can only be listened to in a "linear" fashion, so that the user must follow a predetermined route along the tour, and listen to the information that is given regardless of its interest to that user.

25 Other known tour information systems involve continually looped playbacks of information, at a given site, to which the user must listen starting from the point reached when the user arrives. This is time-wasting and off-putting.

SUMMARY OF THE INVENTION

A general aim herein is to provide novel information distribution systems, preferably suitable for use as a tour guide system.

5 The proposal now put forward involves a central body of pre-recorded information which is selectively accessible by a remote user at any one of a plurality of indexed items, using a portable remote unit which accompanies a user and includes means for receiving and then reproducing the
10 information as sound and/or text and/or picture. The system may include triggering units (generally a non-portable installation) which can communicate with the portable unit to trigger the sending and reproduction of certain items at the portable unit.

15 A preferred means of communication of information to the remote unit involves radio.

Broadly, the present disclosure relates to an information distribution system, preferably a tour guide system, having

20 a main data processor and store for a data source comprising audio and/or video data as a plurality of indexed pre-recorded items;

 a plurality of remote user units, including portable wireless remote user units, each comprising means for
25 reproducing data from the data source in at least audio and/or video form;

 communication means, preferably including a wireless link, for communicating between the remote user units and

the main data processor;

each remote user unit comprising item request means for sending an item-specific request signal, and preferably one selected from a repertoire of different such signals
5 available from that unit, via the communication means to the main data processor, the main data processor having data sending means for responding to the request signal by retrieving the appropriate requested item of data from the data source, and addressing and sending the item to the
10 remote user unit from which the request signal was received, for reproduction thereat in at least audio and/or video form. Note: the term "video" may include the option of text format unless the context requires otherwise.

The main data processor may have the source data stored
15 on a static storage medium, such as hard disc, and preferably has means for transferring or "caching" bodies of data from the data source to a further, dynamic memory store, such as RAM, for sending to the remote user unit. In particular, the source data is preferably subdivided, or
20 subdividable, into data blocks each comprising one or preferably a related plurality of data items, and the processor has means for transferring or "caching" the appropriate data block to dynamic memory, for sending to the remote user unit, when a relevant request signal is
25 received. The data items which are relevant, in that they have been specifically requested, can then be dedicated to the user unit which requested them while freeing processing of the main source to process requests from one or more

other users, typically for different data, and desirably with further caching of that different data. It is particularly preferred to have a plurality of node dynamic memories with respective processing capabilities, each serving a respective data communication connection or set of such connections, and with means for transferring temporarily to any of the node memories a block of data as mentioned above, appropriate to the request signal(s) received for that node. In this way there may be established two and preferably more levels of data caching between the static data source and the remote user units, enabling prompt and high-speed simultaneous dissemination of data, in an independent manner, to a substantial number of remote user units, while requiring only a single original set of "static" data.

A suitable main processor may conveniently be achieved by using, in effect, a computer local area network as the main data processor, that network having a main network server computer with the static data source, preferably having also a first level of data caching capability e.g. provided by a sufficiency of RAM and suitable disc caching software (which is currently commercially available and known to the computer practitioner of ordinary skill), and a plurality of network node computers interfacing with the communication means by way of suitable respective interfaces, and preferably providing a second level of data caching e.g. with respective RAMs and appropriate disc

caching software as mentioned above.

The communication means may comprise a communications exchange such as a telephone PBX, which may be of a generally known type, for routing signals and data transmissions vis à vis the main data processor.

The communication means preferably further comprises a radio link between the main data processor and the remote user units. For example, a telephone exchange as mentioned above may connect to a radio exchange, or more usually plural radio exchanges, to communicate with the remote user units which are adapted to receive and send radio signals. It may also be generally desirable to provide radio base stations, for the forwarding of radio signals travelling between the radio exchange(s) and the remote user units.

Communication means of the preferred type described above may conveniently be provided by a cellular telephone system, e.g. of a known type, in which the remote user units comprise telephone handsets. The radio exchanges and radio base stations may be comprised in a cellular local communications system, preferably of the "intelligent" type i.e. capable of tracking the caller or recipient and making any appropriate transfers of the call from station to station automatically. Suitable systems and components therefor - the CT-3 type, for example - are commercially available. The tracking ability whereby communication is traced and handed off from one station to another may be built into the stations and/or the remote user units themselves. This is known *per se*.

The communication means are usually mutually dedicated, i.e. the remote user units and the central main processor can communicate with one another on the site, but not with other communication apparatus in the adjacent environment.

5 This is achieved e.g. by selecting a characteristic communication frequency.

BRIEF DESCRIPTION OF THE DRAWINGS

More specific proposals are now described, by way of example, with reference to the accompanying drawings in
10 which

Figure 1 is a schematic diagram of an information distribution system, and

Figures 2 and 3 are perspective views of alternative types of remote user unit.

15 DETAILED DESCRIPTION

A proposed preferred embodiment comprises the following basic components.

A computerised data source network 1;

a telephone exchange 2 connected to the data source
20 network;

a set of cellular communications radio exchanges 3 connected to the telephone exchange 2;

a set of cellular communications radio base stations 4 for relaying transmissions to and from the radio exchanges
25 3, and

a plurality of remote user units including wireless telephone extensions 5 for the cellular communication system and, optionally, wired extensions 6 (some or all of which

may be connected directly to the telephone exchange rather than to the radio base stations 4).

The data source network 1 may be in essence a computer local area network assembled within a single enclosure. It comprises a main network server computer (DP) which is a high-specification PC, e.g. 486DX class or faster. It should have a hard disc drive or other stable static storage medium to hold the basic mass of source data. A suitable capacity to provide acceptable audio quality might be a minimum of 10 Mb/hour of monaural non-music compressed speech, 30 Mb/hour of monaural non-compressed music and/or speech, or 60 Mb/hour of stereo non-compressed music and/or speech. Of course, the total capacity is determined to be sufficient for the amount of program information which must be stored in each case. Similar criteria can be determined for video data (which may be text) without difficulty.

The main network server computer (DP) also has substantial RAM e.g. at least 32 Mb. A video interface card to facilitate temporary attachment of a monitor is useful, as is one or more connections 10 to facilitate the attachment of diagnostic equipment or additional peripheral communications equipment (P).

The network also has multiple computers functioning as network nodes (NN) in conjunction with the main network server (DP). These do not need such a high specification as the network server. 386SX or faster computers should be suitable. Each should have a substantial RAM e.g. at least 16 Mb. A video interface for a monitor is also desirable.

The network nodes (NN) are also provided with telephone network interface cards 17 in a quantity sufficient to provide individual connections for as many remote user units as may be envisaged.

5 In addition to routine operating system software for each computer and network operating system software for the network 1, the computers (DP,NN) of the network are also programmed with high-speed disc caching software enabling the selective transfer of blocks of data to the RAMs of the
10 main network server (DP) and of the nodes (NN). Disc caching and appropriate software are already known and available to the skilled person.

 It is also necessary that the network be able to address and access the stored data by addressed item, using
15 incoming telephone signals as selective identifiers. For this purpose the programme application software may use "voice mail" (telephone message) programming of a type which is in itself known. Indeed, commercial voice mail software may be adapted for the present purpose.

20 The telephone exchange 2 may be a standard DTMF (tone capable) telephone PBX, preferably capable of connection by digital interface to enable high-speed high-volume handling. It is connected with the network computers by multiple-line wired connections 11.

25 The radio exchanges 3 connected to the telephone exchange 2, the function of which is to send data to and receive signals from the remote user units 5, may be "cellular" wireless local communications system radio

exchanges (RE) of a known type, preferably an "intelligent" type capable of tracking the caller/recipient automatically, such as the CT-3 type. The number of units required will vary according to the site served by the guide system, and according to the number of remote user units 5,6 to be served.

The radio base stations 4 are "intelligent" wireless cellular local communications system components (RB), capable of intelligent hand-off call transfer from one call to another, e.g. of CT-3 type. As with the radio exchanges, the number of these units will vary according to the size and physical nature of the site to be covered and the number of remote user units, particularly wireless extensions 5, which are to be used.

The number of wireless remote user units 5 such as telephone handsets (H) will vary according to the nature of the site and how many persons might be expected to tour it at any one time. Wired extensions (W) may also be used, e.g. for certain static features at the site, or if a video display of substantial size is needed.

The preferred system also includes at least one automatic data request initiator 15 which we term a "location relay switch" (LRS) that is, means provided fixedly at a particular site or location to cause an adjacent remote user unit 5' automatically to request some specified data without user initiation. The number of such units will of course vary according to the site, depending on the number of different locations for which such

automatic guidance of the system will be appropriate.

A typical site covered by the entire system might be 6km² or less.

An example of assembly and operation of the system is
5 now described.

Assembly Example

The data source network computer is a local area
network assembled within one enclosure. It comprises a
486DX or faster computer platform serving as the network
10 server, and multiple 386SX or faster computers serving as
network nodes.

The network server should be assembled with a minimum
of 32 Mb of RAM.

The network nodes should each be assembled with a
15 minimum of 16 Mb of RAM.

Each of the computers within the local area network
(server and all nodes) should be assembled and operating
with standard operating systems compatible with the
requirements of the selected programme application software
20 and network operating system software used to operate the
voice mail systems and the network.

Network connection cards 16 should be installed in each
of the computers, one for each node, and one for the main
server. The diagram shows respective connections from the
25 server, but serial or "daisy chain" configuration of the
local area network is also possible.

Telephone interface cards 17 are installed in each of
the network node computers. The number of interface cards

will be dependent on the number of wired and/or wireless extensions (W,H) required by the individual site.

After the standard operating system has been installed on all computers, the network operating software is
5 installed and tested for stable operation.

After the network operating software has been installed, high-speed disc caching software is installed on each computer and set up to utilise optimally the RAM available, depending on the size of the system and number of
10 end users envisaged. The disc caching software on the network server serves as a primary disc cache to the entire network for all accesses made to the stable static storage media, regardless of whether the system is utilising one or more voice mail systems or one or more stable static storage
15 media. The disc caching software on the network nodes acts as a secondary disc cache for stored audio program information requested by the telephone interface cards within each of the network nodes. This multiple level of high-speed information caching allows the centralisation of
20 the stored information without impeding the high speed dissemination of different, uniquely selected data items to various selected ones of large numbers of extensions simultaneously.

At this point the program application software is
25 loaded, namely voice mail software capable of controlling and monitoring all requests, and distribution of the program information through the system to the final extensions.

After the program application software is loaded the

audio program information, i.e. the main source data, is installed, with assigned voice mailbox addresses for the items, via the program application software. The audio program information is information that has been recorded either in analogue form and translated to digital form, or recorded directly in digital form. This audio program information is the information that is stored on the stable static storage medium of the main network server in the voice mailbox addresses. The present guide information system can deliver information in a sequential manner, similar in experience to previous mechanical systems, but unlike any previously devised system the audio program information can also be accessed at random, or "nested" such that a user may access detailed information following delivery of initial general information, and then return to the point in the sequential information flow from which they digressed. This can be done by keying-in item-specific requests on the user unit keypad. For example, the audio information describing some feature in general terms will tell the user the number to key in order to access more detailed information.

A visitor will be able, say, in the British Museum to wander at will - having a properly constructed "tour" of the Egyptian gallery or of a special exhibition, and yet also stop by a particular Greek vase and using its catalogue number he or she can then enjoy a 3 or 4 minute piece just on that item. This might encourage the visitor to request a special structured tour of the Vase Room - or he or she

might walk on, selecting other exhibits at random. Every piece of information is indexed to start at its beginning.

As potential user access will need to be determined, and a smooth, logical sequential flow of the audio program information will be needed, planning appropriate to the site should be exercised at the time of selecting, planning, itemising and grouping the items of the source audio data. This organisation need not in itself require any inventive effort; it may be done using known principles of information structuring and indexing.

The telephone private branch exchange (PBX) is connected to the data source network via standard telephone connections running from the telephone interface cards mounted in the network nodes. Each of the telephone interface cards represents a number (for example, eight to sixteen) telephone extensions to be controlled by the PBX. The PBX will connect outbound in two ways. First the PBX will be connected to the intelligent radio exchanges e.g. via standard telephone connections. Second, the PBX will have one outbound hardwire telephone company connection.

The radio exchanges are installed throughout the site, and may be remote e.g. as much as two miles from the location of the PBX/data network source computers. The radio exchanges should be placed throughout the site in a manner consistent with their ability to contact as many of the radio base stations as possible, dependent upon individual factors of the environment of the site (construction materials used, distance covered, and the

number of wireless extensions to be serviced at any given location throughout the site). Planning appropriate to the site should be exercised at the time of installation when the radio base station locations are determined.

5 The radio base stations are the final link to the wireless extensions i.e. the remote end user units. The locations of the radio base stations are dependent upon the environment of the site. The construction materials (if any) of the site, and the number of wireless extensions
10 potentially simultaneously present within a specific location on the site will determine the placement and saturation of the radio base stations. Traffic flow envisaged through the site at various times could require installation of more radio base stations throughout the
15 entire site than could in fact feasibly operate at any one time. A high density of radio base stations will be necessary to handle areas of extreme density of traffic, while conversely some larger areas, with a low density of features of interest, may require only a few radio base
20 stations.

 The wireless extensions may take the form of telephone handsets, or wireless headsets with or without wired or attached control boxes (similar in appearance to personal headset stereos). See Fig. 2, which shows an audio-only
25 handset with built-in speaker 52. Both types, along with standard wired telephone extensions, may be mixed on the same system. A wireless extension consists e.g. of a CT-3 or similarly-capable telephone extension, with a keypad 51

and small radio frequency receiver built into one box. The radio frequency receivers receive brief coded pulse transmissions from any adjacent location relay switches to request automatically (via DTMF tones) through the extension the delivery from the data source network of specific data items (identified by mail box addresses), pertinent to the location of the wireless extension, i.e. the location of the user. Each wireless extension will have its own unique telephone extension number in the case of monaural installations, or possibly two numbers in the case of stereo installations depending on the form of data encoding or stereo derivation used. These wireless extensions, regardless of other features, generally have keypads 51 that are either numeric in nature, similar to a standard telephone keypad, or the keys may be masked in the form of international symbols, or merely shown as coloured buttons in order to facilitate ease of use and user understanding. These keypad masks may be determined by the requirements of the individual sites.

20 A handset may have a text and/or video display, e.g. a scrollable text output for use by the deaf instead of an audio set. See Fig. 3 which shows a handset with keypad 51 and video display 53, e.g. LCD text display, together with wired headphones 54.

25 The location relay switches for triggering automatic request signals may consist of small, extremely low power, radio frequency transmitters that emit a momentary predetermined pulse signal. The pulse signal corresponds to

a predetermined DTMF tone series recorded on a ROM chip within the radio frequency receiver built into each user unit. The DTMF tone signal is transmitted from the wireless extension of the voice mail system on the data network server to request the delivery of a specific voice mail box item, selected of course to be pertinent to the location of the location relay switch. The location relay switches may be triggered by any number of standard person-sensitive triggering devices, such as broken light beam, pressure-sensitive switch floor pad or infrared motion detector. They need not necessarily be hardwired into the system; they may simply be plugged into the mains.

In an alternative use of location relay switches, the location relay switches passively receive characteristic identifier signals communicated by the remote user units. Such "active location identifiers" are available; typically they operate by an infrared signal characteristic unique to a given remote user unit, and which is noted by the location relay switch. Instead of the user unit sending a request signal, it then becomes possible for the location relay switch (knowing as it does the location and the identity of the remote user unit) itself to send an item-specific request signal through the communication means (which might be hardwired, or involve a wireless link) to initiate, in the manner previously described, the sending of appropriate data to that remote user unit. This may constitute an independent aspect of the present disclosure, in which the initiation of all data sending to the remote user units is

done from the location relay switches rather than by item-specific requests sent from the remote user units.

Typically, however, this technique is mixed with a potential item-specific signalling capability of the remote user units, as described elsewhere. In effect, it constitutes an automated location tracking of each specific remote user unit.

Operation

When the data source network, the private branch exchange, the radio exchanges and the radio base stations are powered up, the data source network automatically loads the computer operating system, the primary and secondary disc caching software, the network operating system, and initialises the voice mail system. Once the entire system is successfully powered up, the data source network and private branch exchange are left powered on at all times, twenty-four hours per day. The radio exchanges and radio base stations may be powered down when not in use in order to conserve energy. The wireless extensions should be placed in battery charger bays in order to be ready for use when next needed.

To use the system a user (or a guide) picks up a wireless extension headset, and enters a unique number on the keypad indicating the language in which they would like to hear their information delivered. The source data is available in two or more languages. For ease of use, these language codes may be programmed to correspond to international dialling codes, or any other easily recognised

series. This initial keypad entry will tell the data source network which of the concurrent voice mail systems to access. The user or guide will then enter on the keypad any other determinant information, for example in the case of a museum tour, which type of tour the user wishes to receive (historical, art, cuisine, etc.). This entry will tell the data source network which voice mail box to use as the first address. An entire block or body of standard information e.g. sufficient for all or a significant part of the tour, may be shifted onto RAM by the disc caching at this stage. From that RAM, the user can hear audio program information delivered seamlessly and sequentially as the voice mail system moves through delivery of the programmed addresses. If the user leaves a standard tour path corresponding to the recorded sequential delivery of the audio program information, planning and forethought in placement of appropriate location relay switches will result in a location relay switch triggering the wireless extension to automatically request delivery of the contents of a mailbox address such that the user receives information pertaining to the correct location in which the user actually stands, sits or rides. Additionally or alternatively, the user may be prompted via narration in the audio program information to request specific voice mail box addresses via the keypad on the wireless extension in order to receive additional information on any point in the site, or to adjust the order in which information is delivered.

The centralised storage of data in the data source

network, and the use of primary and secondary disc caching software, allows decompression and real-time delivery of large amounts of unique and simultaneous information to the remote user units.

5 Further options include the following.

For security, if a user unit is removed beyond some exit point, a corresponding location relay switch causes the phone code of a security guard to be sent, announcing the handset location and number, and/or emitting a distinctive
10 tone from the user unit.

For automatic billing, the system may comprise means to produce a full account of the number and duration of all uses of each handset, and to transmit this information automatically to a system operator e.g. by telephone modem,
15 for the production of e.g. monthly bills.

Users may opt, via the keypad to obtain a print-out of information on items of particular interest to them.

Information in the system may be added-to or updated by simple re-programming of the central computer, either
20 locally at the site or via remote access from an operator's office. Note the enormous economy and simplicity of centralised data update, compared with the use of individual user's tape cassettes, discs or data cards which need to be replaced en masse.

25 The system may provide for two-way mobile communications between members of staff. This involves additional small pocket handsets, each with a specific staff code number.

While the system has been described in relation to a
tour guide system, its use of a mass of centralised
dedicated data combined with on-site dedicated communication
renders it suitable for a variety of uses. Other proposed
5 areas of application include information distribution at a
shop or warehouse, where a potential buyer moving around the
premises can obtain information about items which are seen,
and can also signal from his/her remote user unit an
intention to purchase, enabling items from stock to be
10 retrieved in advance to be ready for collection by the
buyer.

Further application is an educational application, e.g.
in which permanent source data relating to a site may be
supplemented by data dedicated to certain identified user
15 units such as sets of questions relating to the site,
whereby those identified users will receive the questions
together with the information and be able to input answers
contemporaneously into their units for sending to the
processor e.g. for comparison with predetermined answers.

CLAIMS:

1. An information distribution system for a site, having
data processor and storage means (1) for a centralised
5 data source comprising audio and/or video data as a
plurality of indexed items;

a plurality of portable, wireless remote user units
(5), comprising means for receiving and reproducing data
from the data source in at least audio and/or video form;

10 communication means (11,2,3,4) for mutually dedicated
communication within the site between the remote user units
(5) and the data processor and storage means (1);

said portable, wireless remote user units (5)
comprising item request means for sending an item-specific
15 request signal via the communication means (4,3,2,11) to the
data processor and storage means (1);

the data processor and storage means (1) having
data caching means for responding to an incoming said
request signal by identifying the appropriate indexed item
20 of data and transferring a data block, comprising said
appropriate item and optionally one or more related items
for subsequent transmission, temporarily to a dynamic
memory, and

data sending means for sending the data block
25 progressively from the dynamic memory, selectively to the
remote user unit (5) from which the request signal was
received, for reproduction thereat in at least audio and/or
video form.

2. An information distribution system according to claim 1 in which the remote user units (5) comprise handsets and/or headsets.

5 3. An information distribution system according to claim 1 or claim 2 in which the remote user units (5) comprise video display means (53).

4. An information distribution system according to any one
10 of the preceding claims in which the data processor and storage means (1) comprises a processor network having a main network server processor (DP) for said data source, and
network node processors (NN) respectively interfacing
15 with the communication means (11,2,3,4).

5. An information distribution system according to claim 4 in which each of the network server processor (DP) and plural said network node processors (NN) comprise said data
20 caching means, to provide plural levels of data caching between the data source and the communication means (11,2,3,4).

6. An information distribution system according to any one
25 of the preceding claims, comprising at least one fixed automatic data request initiator (15) for wireless signalling to an adjacent said remote user unit (5), to cause that remote user unit (5) to send automatically a said

item-specific request signal, corresponding to at least one indexed item of data appropriate to that data request initiator (15).

5 7. An information distribution system according to any one of the preceding claims comprising at least one fixed automatic data request initiator (15), interactive with an adjacent said remote user unit to note the identity of that remote user unit (5), and comprising means to send to the
10 data processor and storage means (1) an item-specific request signal corresponding to at least one indexed item of data appropriate to that data request initiator (15) and a unit identifier signal identifying said remote user unit (5), whereby the data processor and storage means (1) sends
15 said indexed item of data selectively to that remote user unit (5).

8. An information distribution system according to any one of the preceding claims in which the communication means
20 comprises

radio exchange means (3) and radio base means (4) to communicate with one another by radio, the radio exchange means (3) being in wired communication with the data processor and storage means (1) and the radio base means (4)
25 being in wireless communication with the remote user units (5).

9. An information distribution system according to any one

of the preceding claims in which the communication means comprises telephone exchange means (2) and telephone connection means (11) between the data processor and storage means (1) and the telephone exchange means (2).

5

10. An information distribution system according to any one of the preceding claims, further comprising at least one non-portable, wired remote user unit (6).

10

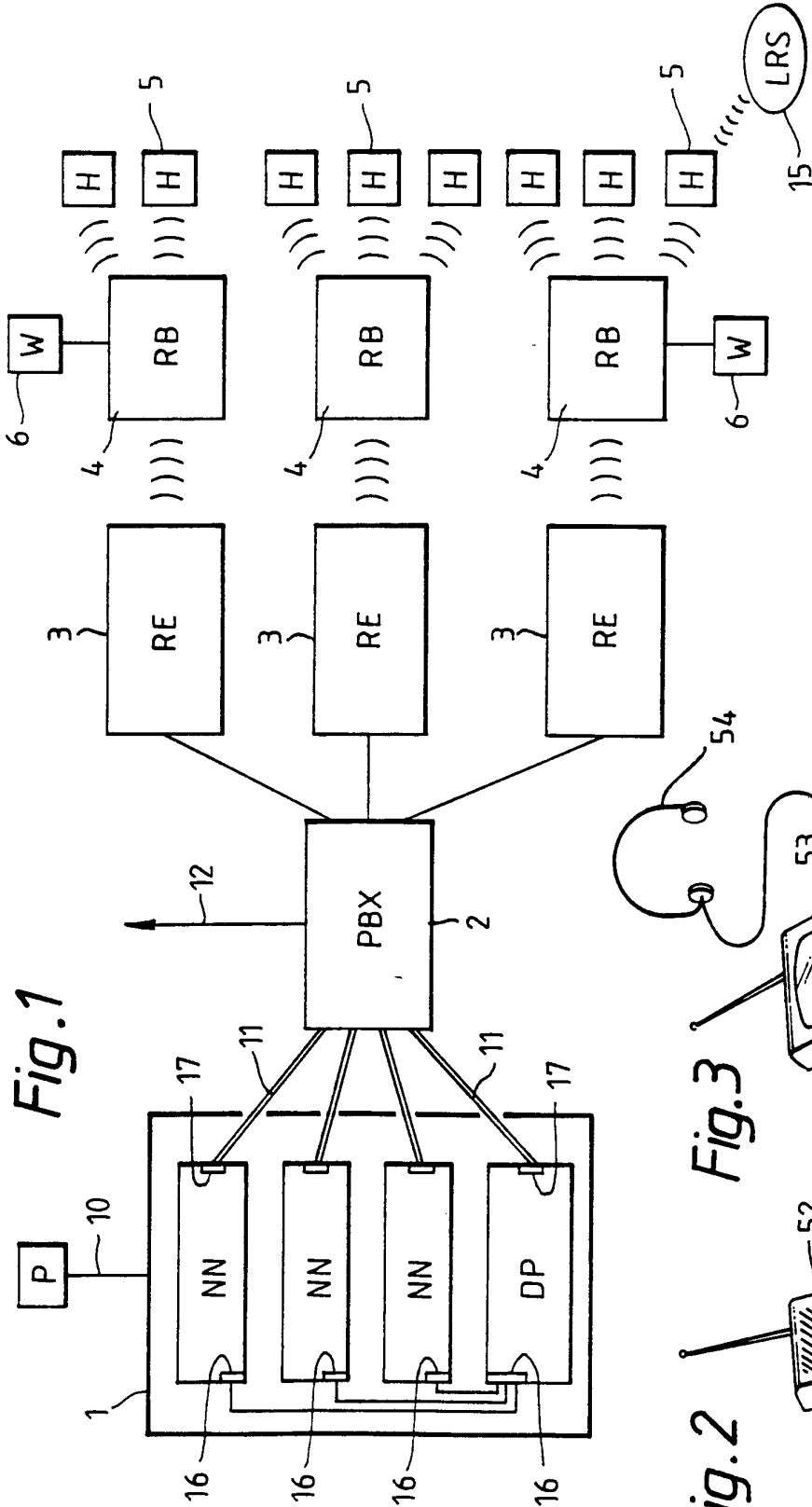


Fig. 1

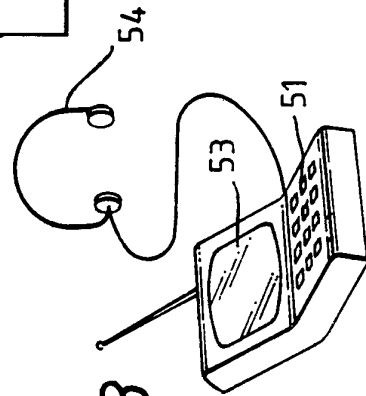


Fig. 3

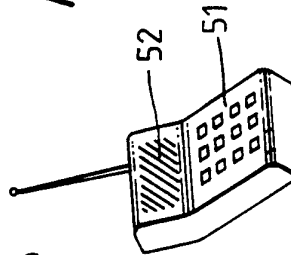


Fig. 2

INTERNATIONAL SEARCH REPORT

International application No.
PCT/GB 93/02360

A. CLASSIFICATION OF SUBJECT MATTER

H 04 J 3/16, G 06 F 15/21

According to International Patent Classification (IPC) or to both national classification and IPC

B. FIELDS SEARCHED

Minimum documentation searched (classification system followed by classification symbols)

H 04 J, H 04 B, G 06 F

Documentation searched other than minimum documentation to the extent that such documents are included in the fields searched

Electronic data base consulted during the international search (name of data base and, where practical, search terms used)

C. DOCUMENTS CONSIDERED TO BE RELEVANT

Category *	Citation of document, with indication, where appropriate, of the relevant passages	Relevant to claim No.
Y	US, A, 4 163 123 (BRODSKY et al.) 31 July 1979 (31.07.79), the whole document; especially claim 1; fig. 1-8. --	1-3, 5, 8-10
Y	US, A, 5 157 660 (KUWAHARA et al.) 20 October 1992 (20.10.92), the whole document; especially claims 1-3; fig. 1-16. --	1-3, 5, 8-10
A	US, A, 5 152 003 (POCH) 29 September 1992 (29.09.92), claims 1-11; fig. 1-2. --	1
A	US, A, 4 750 151 --	1

Further documents are listed in the continuation of box C.

Patent family members are listed in annex.

* Special categories of cited documents :

- "A" document defining the general state of the art which is not considered to be of particular relevance
- "E" earlier document but published on or after the international filing date
- "L" document which may throw doubts on priority claim(s) or which is cited to establish the publication date of another citation or other special reason (as specified)
- "O" document referring to an oral disclosure, use, exhibition or other means
- "P" document published prior to the international filing date but later than the priority date claimed

- "T" later document published after the international filing date or priority date and not in conflict with the application but cited to understand the principle or theory underlying the invention
- "X" document of particular relevance; the claimed invention cannot be considered novel or cannot be considered to involve an inventive step when the document is taken alone
- "Y" document of particular relevance; the claimed invention cannot be considered to involve an inventive step when the document is combined with one or more other such documents, such combination being obvious to a person skilled in the art.
- "&" document member of the same patent family

Date of the actual completion of the international search

09 February 1994

Date of mailing of the international search report

10.03.94

Name and mailing address of the ISA

European Patent Office, P.B. 5818 Patentiaan 2
NL - 2280 HV Rijswijk
Tel. (+31-70) 340-2040, Tx. 31 651 epo nl,
Fax (+31-70) 340-3016

Authorized officer

MIHATSEK e.h.

INTERNATIONAL SEARCH REPORT

-2-

International Application No
PCT/GB 93/02360

C.(Continuation) DOCUMENTS CONSIDERED TO BE RELEVANT		
Category*	Citation of document, with indication, where appropriate, of the relevant passages	Relevant to claim No.
	(BAUS) 07 June 1988 (07.06.88), claim 1; fig. 1-5. -----	

ANHANG

ANNEX

ANNEXE

zum internationalen Recherchen-
bericht über die internationale
Patentanmeldung Nr.

to the International Search
Report to the International Patent
Application No.

au rapport de recherche inter-
national relatif à la demande de brevet
international n°

PCT/GB 93/02360 SAE 82229

In diesem Anhang sind die Mitglieder
der Patentfamilien der im obenge-
nannten internationalen Recherchenbericht
angeführten Patentdokumente angegeben.
Diese Angaben dienen nur zur Unter-
richtung und erfolgen ohne Gewähr.

This Annex lists the patent family
members relating to the patent documents
cited in the above-mentioned inter-
national search report. The Office is
in no way liable for these particulars
which are given merely for the purpose
of information.

La présente annexe indique les
membres de la famille de brevets
relatifs aux documents de brevets cités
dans le rapport de recherche inter-
national visée ci-dessus. Les renseigne-
ments fournis sont donnés à titre indica-
tif et n'engagent pas la responsabilité
de l'Office.

Im Recherchenbericht angeführtes Patentdokument Patent document cited in search report Document de brevet cité dans le rapport de recherche	Datum der Veröffentlichung Publication date Date de publication	Mitglied(er) der Patentfamilie Patent family member(s) Membre(s) de la faaillle de brevets	Datum der Veröffentlichung Publication date Date de publication
US A 4163123	31-07-79	keine - none - rien	
US A 5157660	20-10-92	JP A2 3109848	09-05-91
US A 5152003	29-09-92	AU A1 64422/90 CA AA 2070392 EP A1 496743 WO A1 9106158	16-05-91 19-04-91 05-08-92 02-05-91
US A 4750151	07-06-88	AU A1 47812/85 AU B2 576893 CA A1 1242807 DE A1 3436390 DE C2 3436390 DK A0 4514/85 DK A 4514/85 EP A2 176959 EP A3 176959 ES A1 547619 ES A5 547619 ES A1 8702673 ZA A 8507538	10-04-86 08-09-88 04-10-88 10-04-86 05-11-87 03-10-85 05-04-86 09-04-86 20-07-88 16-12-86 16-01-87 16-03-87 25-06-86