



US00D725515S

(12) **United States Design Patent**  
**Zhang et al.**

(10) **Patent No.:** **US D725,515 S**

(45) **Date of Patent:** **\*\* Mar. 31, 2015**

(54) **PLANE DEPTH GAUGE**

(71) Applicants: **Yanchen Zhang**, San Clemente, CA  
(US); **Meng Zhang**, San Clemente, CA  
(US)

(72) Inventors: **Yanchen Zhang**, San Clemente, CA  
(US); **Meng Zhang**, San Clemente, CA  
(US)

(\*\*) Term: **14 Years**

(21) Appl. No.: **29/479,731**

(22) Filed: **Jan. 18, 2014**

(51) **LOC (10) Cl.** ..... **10-04**

(52) **U.S. Cl.**  
USPC ..... **D10/74**

(58) **Field of Classification Search**  
CPC ..... G01B 3/18-3/205  
USPC ..... D10/73, 74  
See application file for complete search history.

(56) **References Cited**

**U.S. PATENT DOCUMENTS**

4,375,722 A \* 3/1983 Nishikata et al. .... 33/795  
5,056,238 A \* 10/1991 Chi ..... 33/810

5,102,471 A \* 4/1992 Sasaki ..... 136/244  
D332,921 S \* 2/1993 Victor, Sr. .... D10/73  
D334,719 S \* 4/1993 Yeo ..... D10/73  
5,249,366 A \* 10/1993 Takahashi et al. .... 33/811  
5,574,381 A \* 11/1996 Andermo et al. .... 324/660  
7,802,381 B2 \* 9/2010 Condie ..... 36/101  
D662,842 S \* 7/2012 Zhang ..... D10/73

\* cited by examiner

*Primary Examiner* — Antoine D Davis

(74) *Attorney, Agent, or Firm* — Let Z. Kwan, Esq.

(57) **CLAIM**

The ornamental design for a plane depth gauge, as shown and described.

**DESCRIPTION**

FIG. 1 is a top, left perspective view of a plane depth gauge showing our new design;  
FIG. 2 is a top plan view thereof;  
FIG. 3 is a left side view thereof;  
FIG. 4 is a bottom plan view thereof;  
FIG. 5 is a right side view thereof;  
FIG. 6 is a rear end view thereof; and,  
FIG. 7 is a head on view thereof.

**1 Claim, 4 Drawing Sheets**

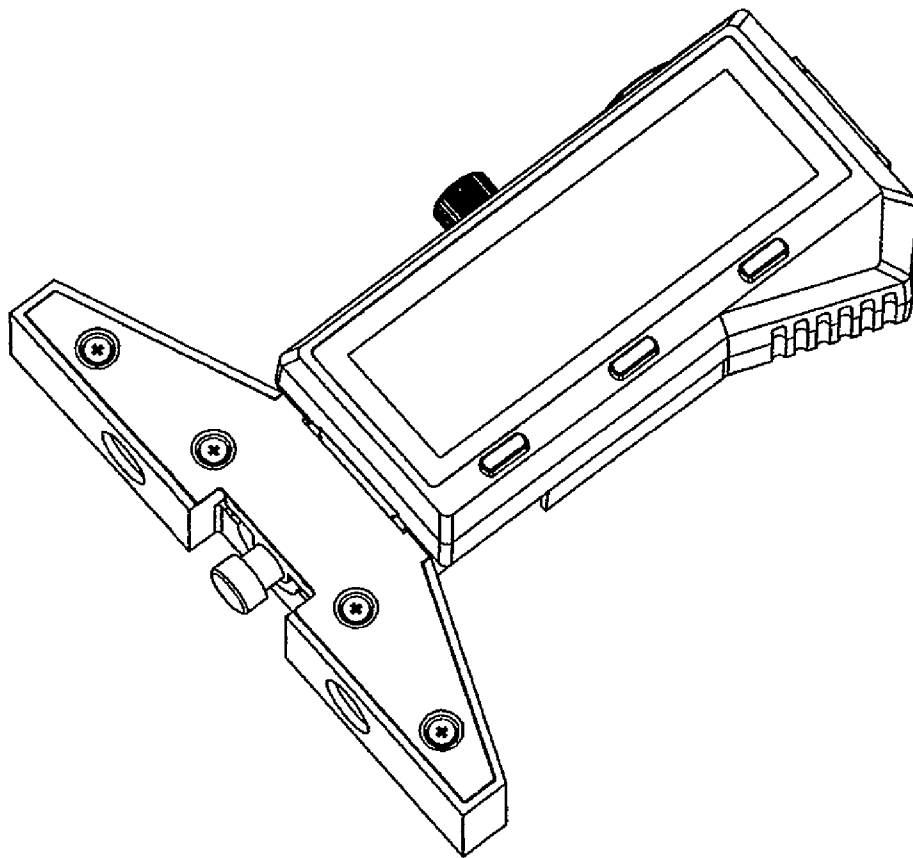
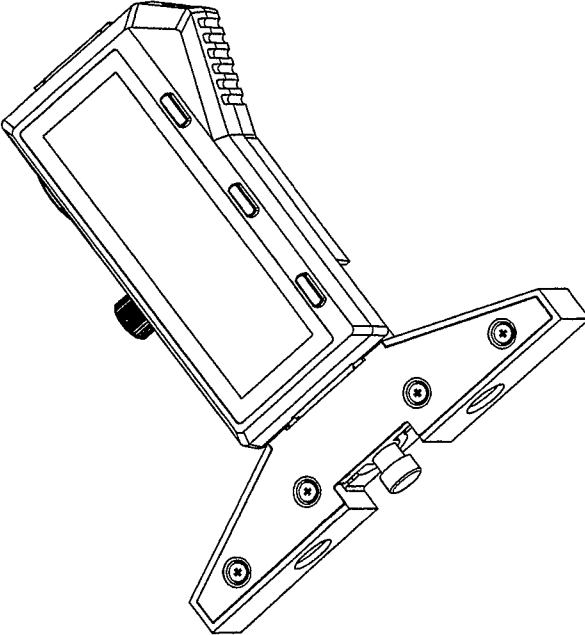


Fig.1



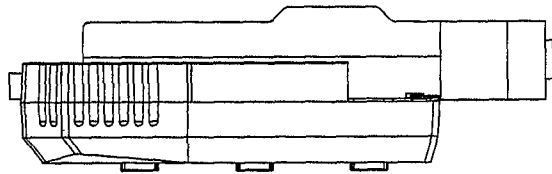


Fig.3

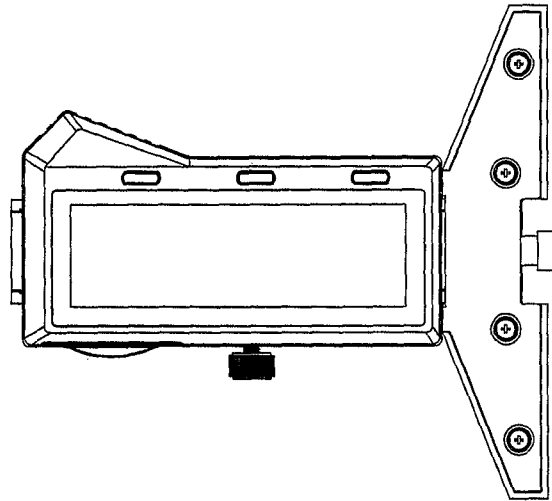


Fig.2

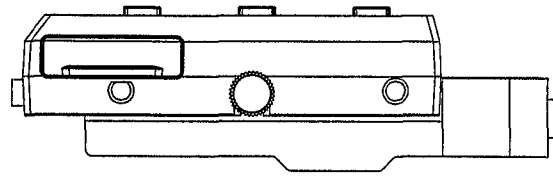


Fig.5

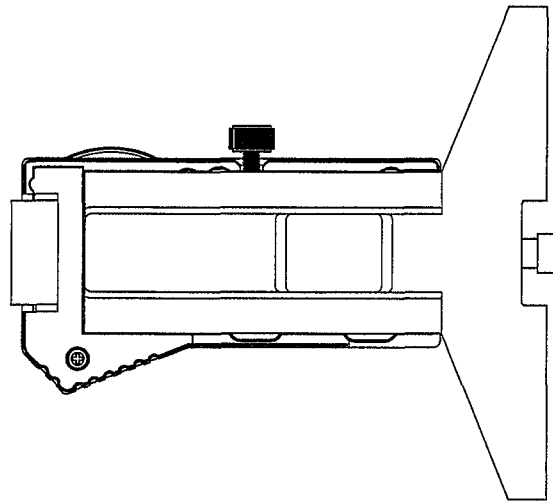


Fig.4

Fig.6

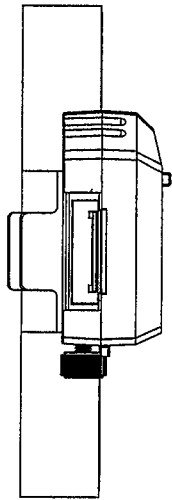


Fig.7

